

Bianchi Vending Group - Spare Parts  
Catalog:

 **BVM 951 - Free Standing**

## Summary

<b>BVM 951 - Free Standing</b>	<b>1</b>
<b>BVM 951 - Free Standing   BV951ES01GG - BVM951 E4S MC GRAF</b>	<b>2</b>
<b>BVM 951 - Free Standing   BV951ES01GG - BVM951 E4S MC GRAF   DOOR</b>	<b>3</b>
FRONT DOOR (384)	4
DOOR LOCK (400)	6
INSERT AND CHANNEL COIN - CHANGE GIVER (391)	8
INNER DOOR (394)	10
KEYBOARD - DISPLAY (390)	12
<b>BVM 951 - Free Standing   BV951ES01GG - BVM951 E4S MC GRAF   CABINET</b>	<b>14</b>
PARTS OF COMPLETION (681)	15
CABINET COMPONENTS (385)	17
<b>BVM 951 - Free Standing   BV951ES01GG - BVM951 E4S MC GRAF   ESPRESSO ASSEMBLY</b>	<b>19</b>
ASSEMBLY SUPPORT BOILER (578)	20
ASSEMBLY DOSER CAFFE (964)	22
GROUP COFFEE PLASTIC(1)	24
ASSEMBLY BOILER ESPRESSO WITH ELETTR. INSTANT PRODUCTS (180)	26
ASSEMBLY GRINDER VERTICAL ENGINE (29)	28
GRINDER VERT. - GEAR (336)	30
ASSEMBLY PISTON(7)	32
ASSEMBLY GRINDER-DOSER (404)	34
COFFEE BEAN HOPPER COFFEE (399)	36
GEARMOTOR COFFEE GROUP (483)	38
<b>BVM 951 - Free Standing   BV951ES01GG - BVM951 E4S MC GRAF   ELECTRICS &amp; ELECTRONICS</b>	<b>40</b>
KIT ELECTROMECHANICAL SELECTIONS COUNTER (545)	41
ELECTRONIC BOARD - MASTER (800)	43
COMPONENTS AND CABLES (386)	45
ELECTRONIC BOARD - POWER (388)	47
POWER SUPPLY SWITCHING (389)	49
<b>BVM 951 - Free Standing   BV951ES01GG - BVM951 E4S MC GRAF   INSTANT ASSEMBLY</b>	<b>51</b>
COMPONENTS FOR MIXERS(644)	52
CANISTER DOSER (686)	54
ASSEMBLY SUPPORT GROUP MIXERS (397)	56
GROUP GEARMOTORS (396)	58
MIXERS - CHAMBER HEATED	60
DOSER SUGAR (407)	62
GEARMOTORS (401)	64
<b>BVM 951 - Free Standing   BV951ES01GG - BVM951 E4S MC GRAF   PRODUCT DELIVERY</b>	<b>66</b>
KIT FITTING NEW STIRRER DISPENSER (597)	67
DETAILS FOR: TAB.STIRRER DISPENSER (626)	69
COMPONENTS DISPENSER CUPS (628)	71
STIRRERS DISPENSER(656)	73
DETAILS FOR: TAB. STIRRER DISPENSER(89)	75
ASSEMBLY COLUMN AND DISPENSER CUPS (80)	77
ASSEMBLY SUPPORT NOZZLES EROGATORI (95)	79
DISPENSER BREWING (88)	81
<b>BVM 951 - Free Standing   BV951ES01GG - BVM951 E4S MC GRAF   HYDRAULIC COMPONENTS</b>	<b>83</b>
WATER CONTAINER WATER 1 MICRO (784)	84
COMPONENTS EL-VALV. 3 VIE OLAB (930)	86
GR 3 ELETTR. 24V DC 2 VIE (116)	88
EOLO AND HYDRO PIPES AVAILABLE (68)	90
WATER CONTAINER INPUT WATER (102)	92
ELECTRO-VALVE INPUT WATER (408)	94
PUMP WATER - VOLUMETRIC (403)	96
<b>BVM 951 - Free Standing   BV951IN01GG - BVM951 I6S GRAF.</b>	<b>98</b>

<b>BVM 951 - Free Standing   BV951IN01GG - BVM951 I6S GRAF.   DOOR</b>	<b>99</b>
FRONT DOOR (384)	100
DOOR LOCK (400)	102
INSERT AND CHANNEL COIN - CHANGE GIVER (391)	104
INNER DOOR (394)	106
KEYBOARD - DISPLAY (390)	108
<b>BVM 951 - Free Standing   BV951IN01GG - BVM951 I6S GRAF.   CABINET</b>	<b>110</b>
CABINET AND COMPONENTS (521)	111
PARTS OF COMPLETION (694)	113
<b>BVM 951 - Free Standing   BV951IN01GG - BVM951 I6S GRAF.   INSTANT ASSEMBLY</b>	<b>115</b>
ASSEMBLY SUPPORT GEARMOTOR (518)	116
ASSEMBLY SUPPORT GROUP MIXERS (519)	118
ASSEMBLY GROUP DROP BOILER - INSTANT PRODUCTS (520)	120
BOILER FOR DROP INSTANT PRODUCTS (49)	122
GEARMOTORS (401)	124
COMPONENTS FOR MIXERS (405)	126
MIXERS - CHAMBER HEATED	128
CANISTER DOSER (686)	130
<b>BVM 951 - Free Standing   BV951IN01GG - BVM951 I6S GRAF.   ELECTRICS &amp; ELECTRONICS</b>	<b>132</b>
COMPONENTS AND CABLES (386)	133
ELECTRONIC BOARD - POWER (388)	135
POWER SUPPLY SWITCHING (389)	137
ELECTRONIC BOARD - MASTER (800)	139
KIT ELECTROMECHANICAL SELECTIONS COUNTER (545)	141
<b>BVM 951 - Free Standing   BV951IN01GG - BVM951 I6S GRAF.   PRODUCT DELIVERY</b>	<b>143</b>
ASSEMBLY COLUMN AND DISPENSER CUPS (80)	144
ASSEMBLY SUPPORT NOZZLES EROGATORI (95)	146
DISPENSER BREWING (88)	148
COMPONENTS DISPENSER CUPS (628)	150
<b>BVM 951 - Free Standing   BV951IN01GG - BVM951 I6S GRAF.   HYDRAULIC COMPONENTS</b>	<b>152</b>
WATER CONTAINER INPUT WATER (183)	153
ELECTRO-VALVE INPUT WATER (408)	155
SOLENOID COMPONENTS 24V DC (478)	157
SOLENOIDS GROUP. 24V DC 2 (479)	159
COMPONENTS ELETTRIC. - ODE- 24 V DC 2 VIE POLYSULFONE (113)	161
SOLENOIDS GROUPS - ODE - 24V_DC_2 VIE_POLYSULFONE (21)	163
EOLO AND HYDRO PIPES AVAILABLE (68)	165

## Group charts

 **BVM 951 - Free Standing**

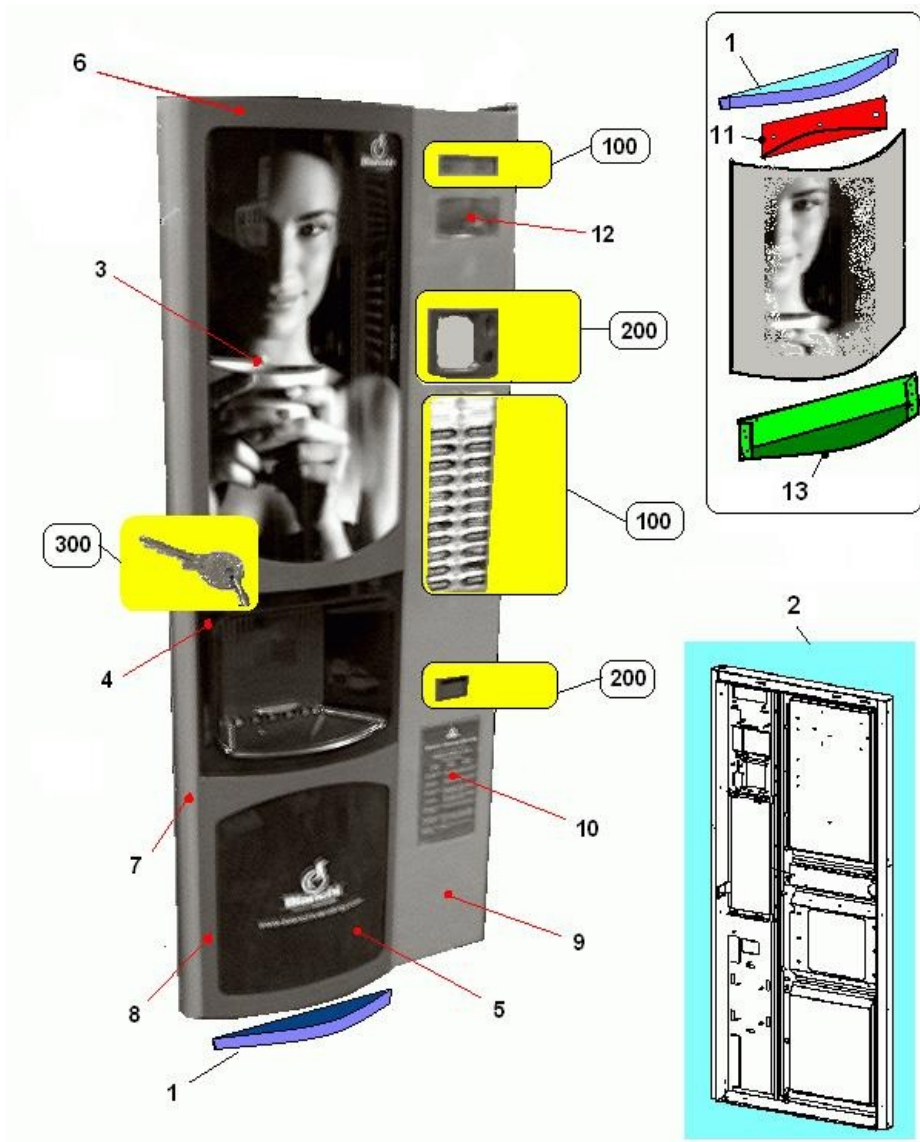
## Group charts

 **BVM 951 - Free Standing**  
 **BV951ES01GG - BVM951 E4S MC GRAF**

## Group charts



### FRONT DOOR (384)

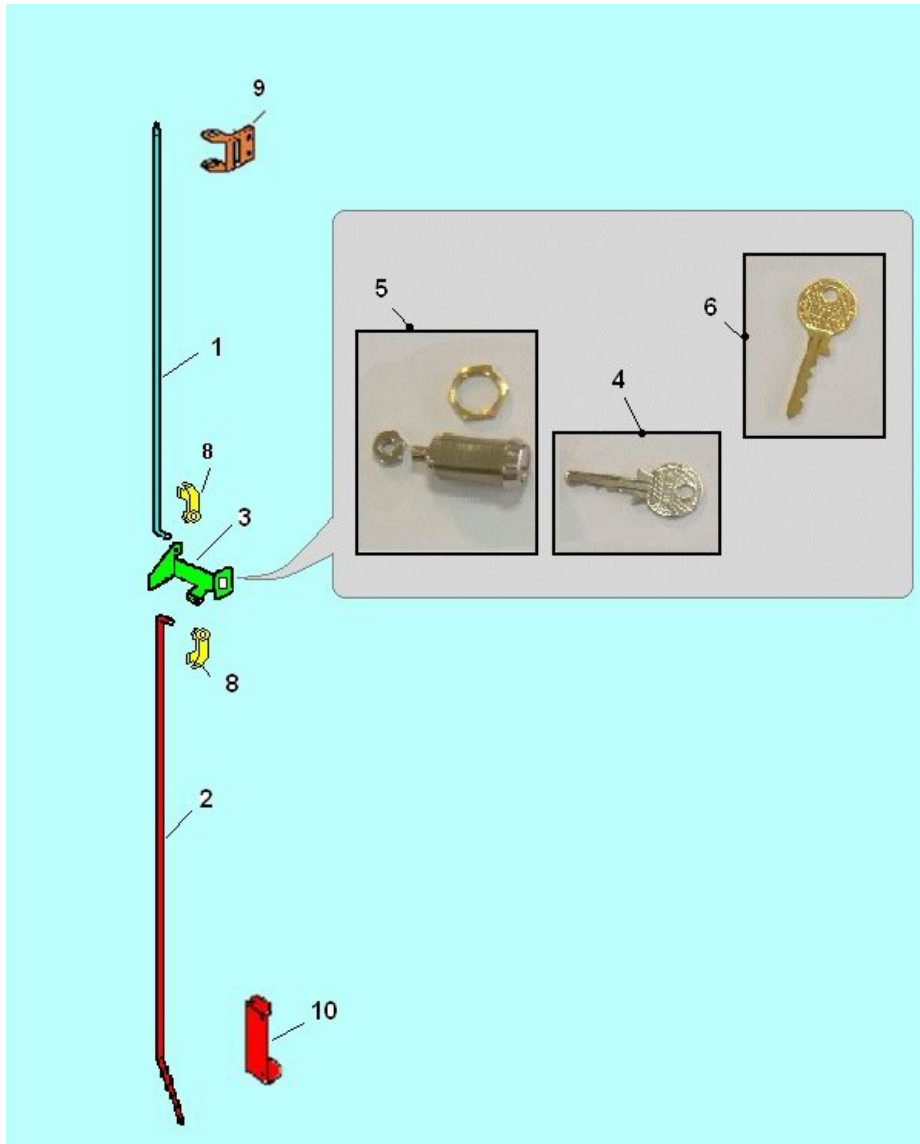


**FRONT DOOR (384) - Item detail:**

Position	Code	Options	Description
<b>2</b>	01784312-03L30		Door loom BV951 grap. Assy
<b>3</b>	05232011		upper serigr. lexanmotor
<b>4</b>	05231915M09		black cup station window holemotor
<b>5</b>	05232111		lower serigr. lexanmotor
<b>6</b>	01785311L30		higher lexan frame graphite)
<b>7</b>	01786411P54		Inox lock side covers rest.
<b>8</b>	01785711L30		GRAPHITE LOWER LEXAN FRAMEite
<b>9</b>	01786511P54		Inox hinge side covers rest.
<b>10</b>	05232625M00		transp.info panel h=230 BVM951-971
<b>11</b>	01804811		Lexan fixing plate
<b>12</b>	05233715M00		transp.info upper panel BVM951-971
<b>13</b>	01785511-02L30		Graph.base for upp.lexan frame
<b>100</b>	968		KEYBOARD - DISPLAY (390)
<b>200</b>	768		INSERT AND CHANNEL COIN - CHANGE GIVER (391)
<b>300</b>	635		DOOR LOCK (400)



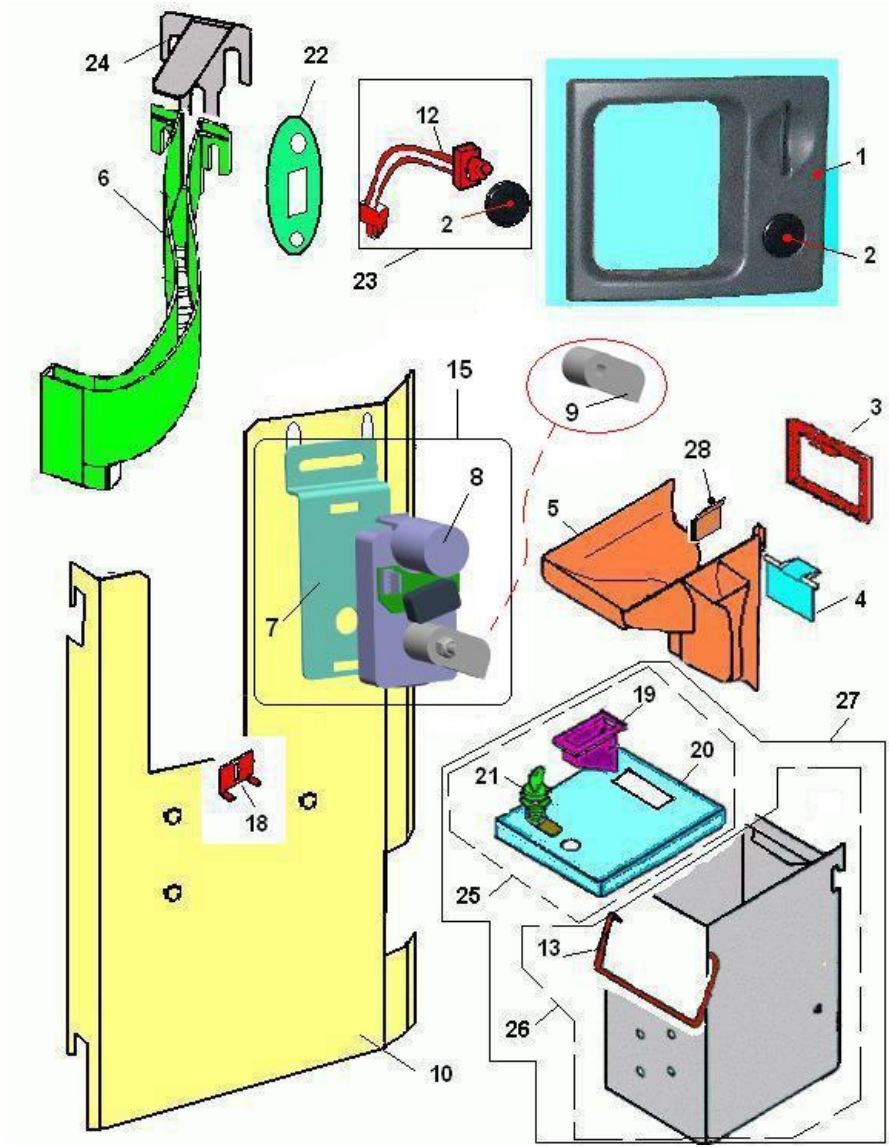
### DOOR LOCK (400)



**DOOR LOCK (400) - Item detail:**

Position	Code	Options	Description
<b>1</b>	12011461		upper lock rod for antaresown
<b>2</b>	12017011		lower lock rod antareser
<b>3</b>	01786311		lock lever 2 rods BVM 951s rest.
<b>4</b>	41029836		Rielda's lock key EMK handle
<b>5</b>	41029616		Rielda standard lockODE
<b>6</b>	43001726		Emka unblock-key
<b>8</b>	07014116		clip connection-971
<b>9</b>	01522611-01		upper stirrup for antares lockack
<b>10</b>	01532911		lower rod plate antaresort

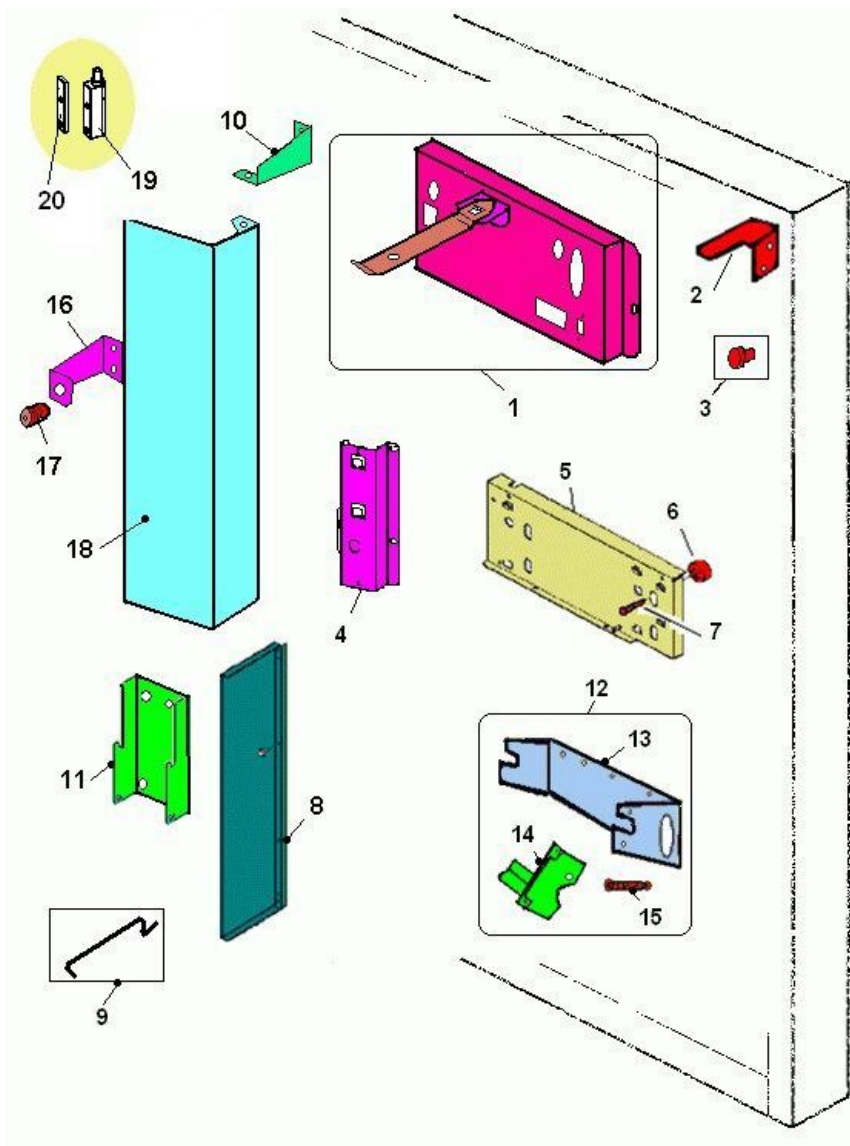
### INSERT AND CHANNEL COIN - CHANGE GIVER (391)



**INSERT AND CHANNEL COIN - CHANGE GIVER (391) - Item detail:**

Position	Code	Options	Description
1	05232215M30		coin introd+m/s frame graphitemotor
2	05232315M09		black changegiver buttonmotor
3	05246715M09		coin recovery frame black
4	05083115-01M09		coin recovery door - black
5	05233615-01M09		coin recovery channel black
6	05233515M09		Coin Introduction slide black
8	20031216-01		changegiver gearmotor
9	05192815-02M78		Grey changegiver cam
10	01800312		Coin mech support assy1
12	26019492		changegiver buttonm
13	12028011		coin box handleer
15	96065520		coin return motor assembly
18	01214411		coin mechanism fixing plate
19	05006315M37		Brown coin box filler IVS
20	01798011-01		coin box cover
21	21011416		quick lock)plsCAM
22	01796011		button support plates rest.
23	43018810		change-giver button with cap assembly
24	01807111		coin slide roofle
26	43024710		Coin box assy w/handle
27	96056320-01		coin box assy BVM
28	05118241		pipe protection profileeet Vega

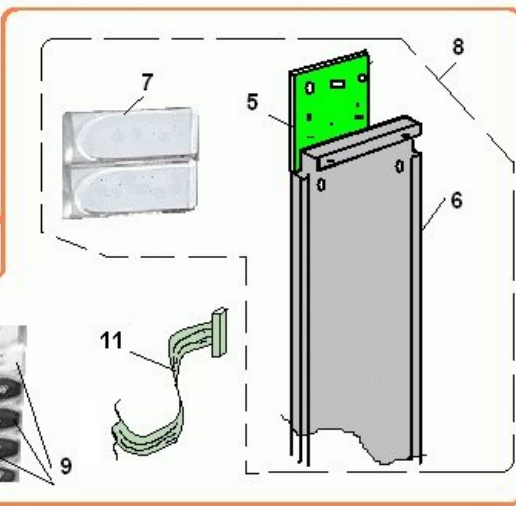
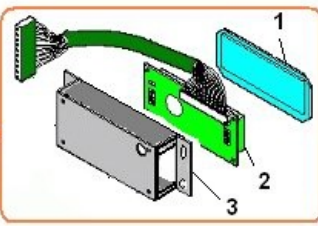
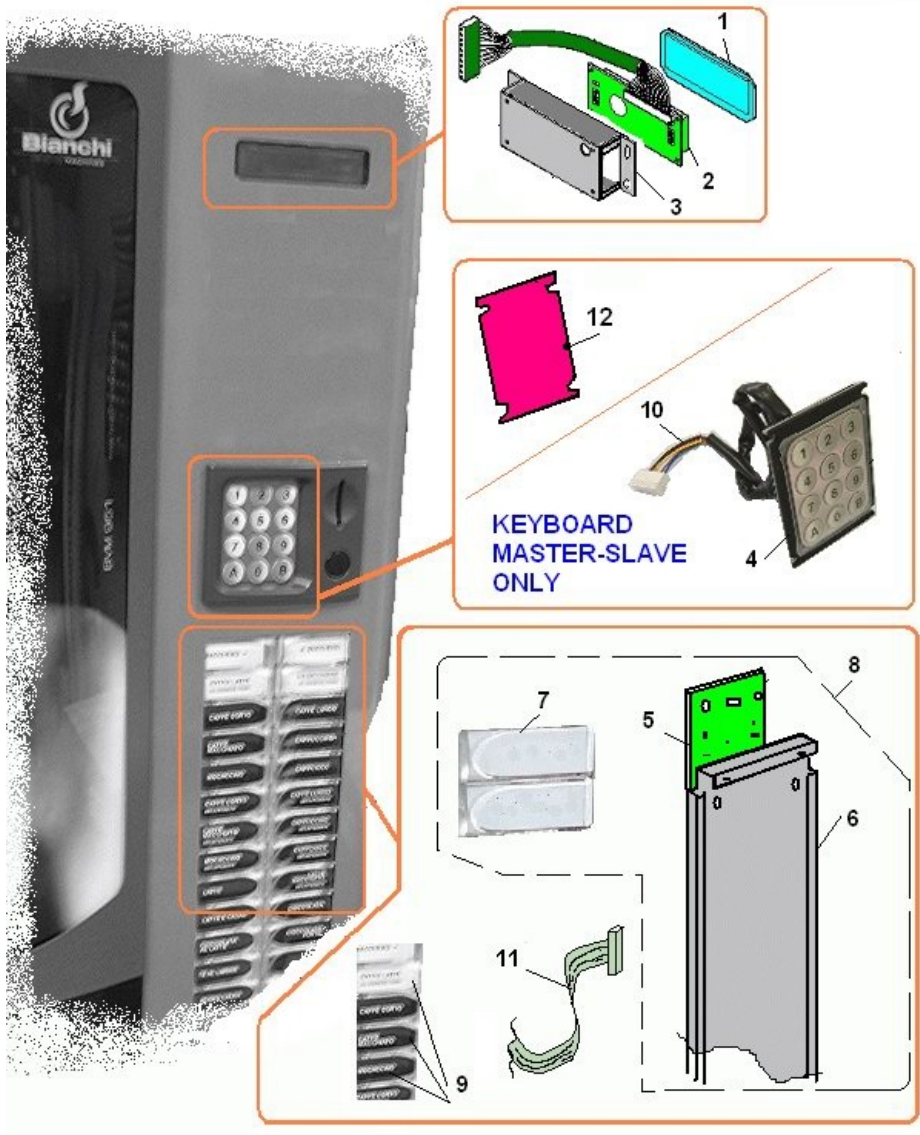
### INNER DOOR (394)



**INNER DOOR (394) - Item detail:**

Position	Code	Options	Description
2	01510511		Antares safety switch support
3	00104883		rubber buffer
4	01790011		Spoon dispenser support
5	01607011-02		Cup dispenser support
6	19055611		cup dispenser support spacergroup
7	32091016		5max30 te screw
8	01808611-01		Protection panel coin box
9	12015811		door roder
10	01813611		Cover pin support plate
11	01793211		Coin box supports rest.
12	01525010		drop tray with lever for antares
13	01452011-02		Dispensing chamber tanksupport
14	01524511		drop tray levert
15	07012411		coin channel spring-971
16	01813511		Cover magnet plate
17	20022316		Cup container door round magnet
18	01813712		Pay system cover assy
19	21011042		BV971 IVS hinge guide assy
20	01859411		BV9 hinge spacer plate

### KEYBOARD - DISPLAY (390)



**KEYBOARD - DISPLAY (390) - Item detail:**

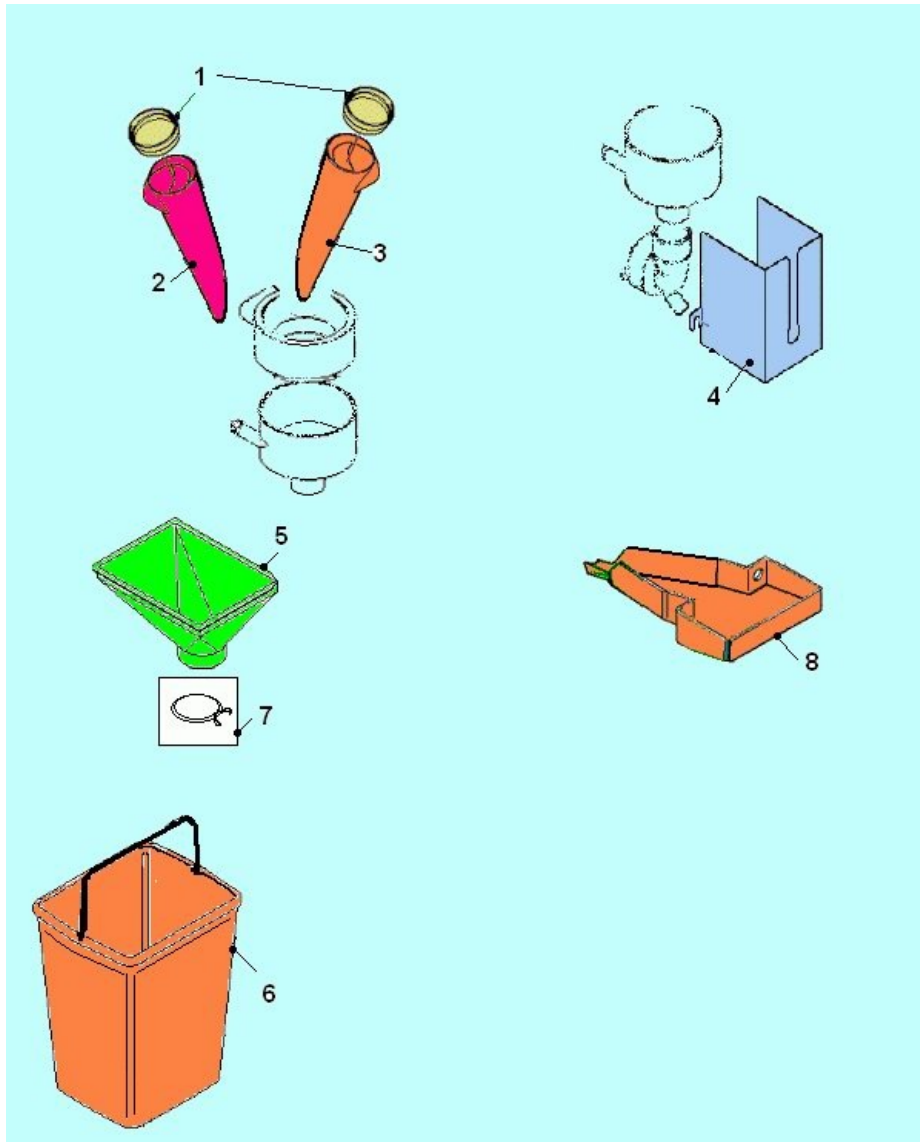
Position	Code	Options	Description
1	05232515M00		display transp.protectionmotor
2	26047916-02		New display 16x2 w/cable 650mm
3	01793011-01		Display support plate
4	30100926		M/S metal keypad A/Bures
5	26048016		BVM951/971 keypad boardn assy
6	01795112-01		Keypad plate assy
7	05232415M00		selection buttonmotor
8	26048220-01		keypad assy (BVM952)
9	30262831		BV95/972 Italian DK NA label
10	22170812		flat cable (A/B metal keypad)vega
11	22175422		16pins flat cable 900mmable



## Group charts



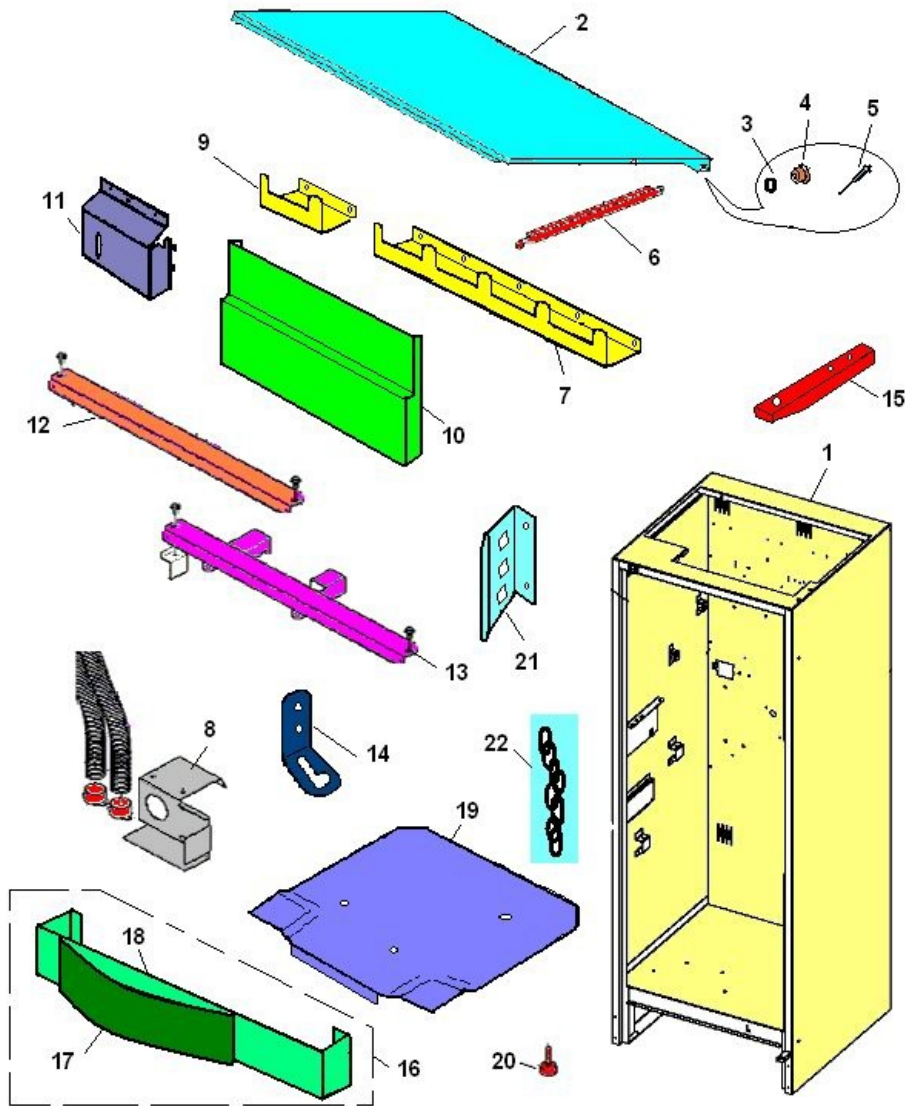
### PARTS OF COMPLETION (681)



**PARTS OF COMPLETION (681) - Item detail:**

Position	Code	Options	Description
1	05160415-02M37		powder funnel cap brown
2	05160625		brown left powder funnelnel
3	05160635		brown right powder funnelnel
4	01601111-03		heating chamber coversy
5	05090615-01M37		box for brown buttomed
6	05137316		bucketle
7	21056016-01		waste coffee bag spring d 68mm
8	05117515M37		Triple brown drop tray

### CABINET COMPONENTS (385)



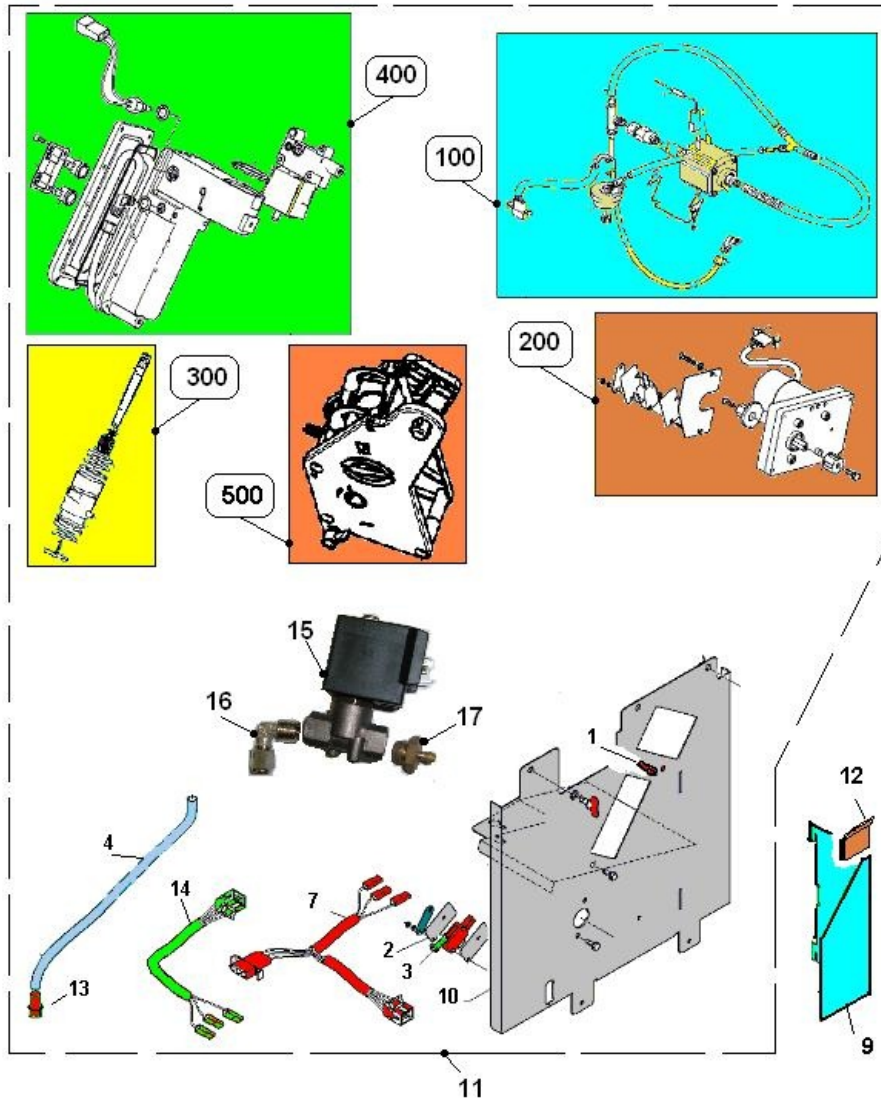
**CABINET COMPONENTS (385) - Item detail:**

Position	Code	Options	Description
1	01799322L30		BV951 E-S-F graph.cabinet assy
2	01661612L30		ANT.DEC Graph.door assyer
3	05158215		rivet bush 14*75y grate(graph.)
4	19054411		rivet bushgroup
5	33050126		3.2x8 rivetODE
6	01661711		Antares dec. door support rod
7	01672911-01		ANT. E5S 4 canisters support
8	01659711		Antares dec. aspirator support
9	01661411		ANT. dec. sugar canister supp
11	01809511		Water tray cover
12	01660611-03		Antares E5S upper crossbar
14	01675511-01		Drain pipe guide (antar)sirio graph.
15	12047011		plate for 951 hingeer
16	01788512-01		BVM951 skirting board assy
17	01788711-01L30		Skirting Board carter Graphites rest.
18	01788611-01P54		BVM951 skirting board assy
19	01787311-01		STD Antares bottom protection
20	21057222		foot assy (M8x40) - BVM971
21	01799811		Connectors support plate BVM951
22	19048161		chain L.250 (n. 19 links)

## Group charts



### ASSEMBLY SUPPORT BOILER (578)

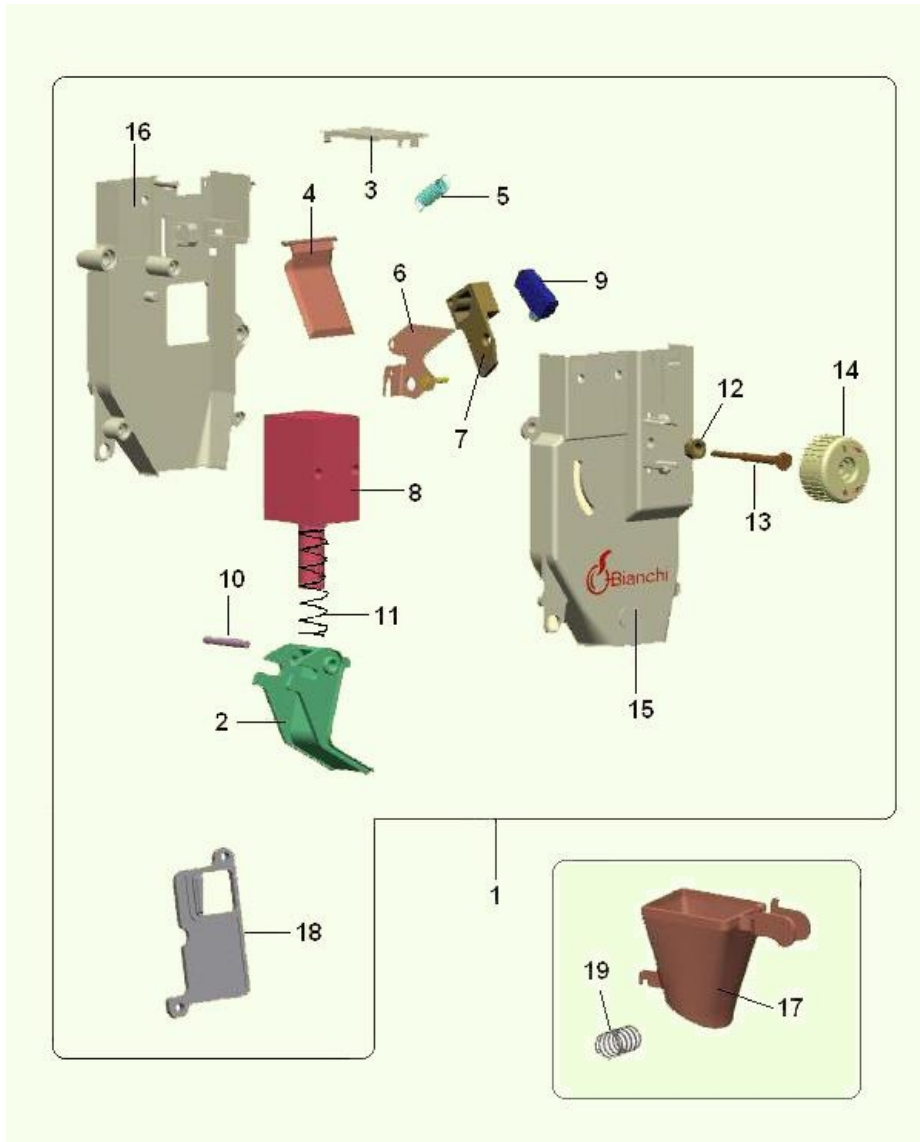


**ASSEMBLY SUPPORT BOILER (578) - Item detail:**

Position	Code	Options	Description
1	19056011	group fixing pin	
2	08004111	microswitch insulationr spring	
3	26005136	microswitch with wheelm	
4	09087823-02	brown sez silicon pipe 5x9	
7	22171412	bvm970coffee group cableega	
9	01483511	grounds chute bulkheadion plate	
10	01662812-01	coffe group support assy antar.E5S	
11	95007920	BVM951 coffee boiler support assy	
12	05118241	pipe protection profileeet Vega	
13	05036515	drain tube plugipe 8	
14	22173312	bvm950electrovalves cablele	
15	25012146	24 v DC 2-ways electrovalverubber holder	
16	04035356	elbow connection 1/4GM-4x6assy	
17	04036521	Rubber holder connection4 DM7,5	
100	814	PUMP WATER - VOLUMETRIC (403)	
200	925	GEARMOTOR COFFEE GROUP (483)	
300	49	ASSEMBLY PISTON(7)	
400	2058	ASSEMBLY BOILER ESPRESSO WITH ELETTRV. INSTANT PRODUCTS (180)	
500	202	GROUP COFFEE PLASTIC(1)	



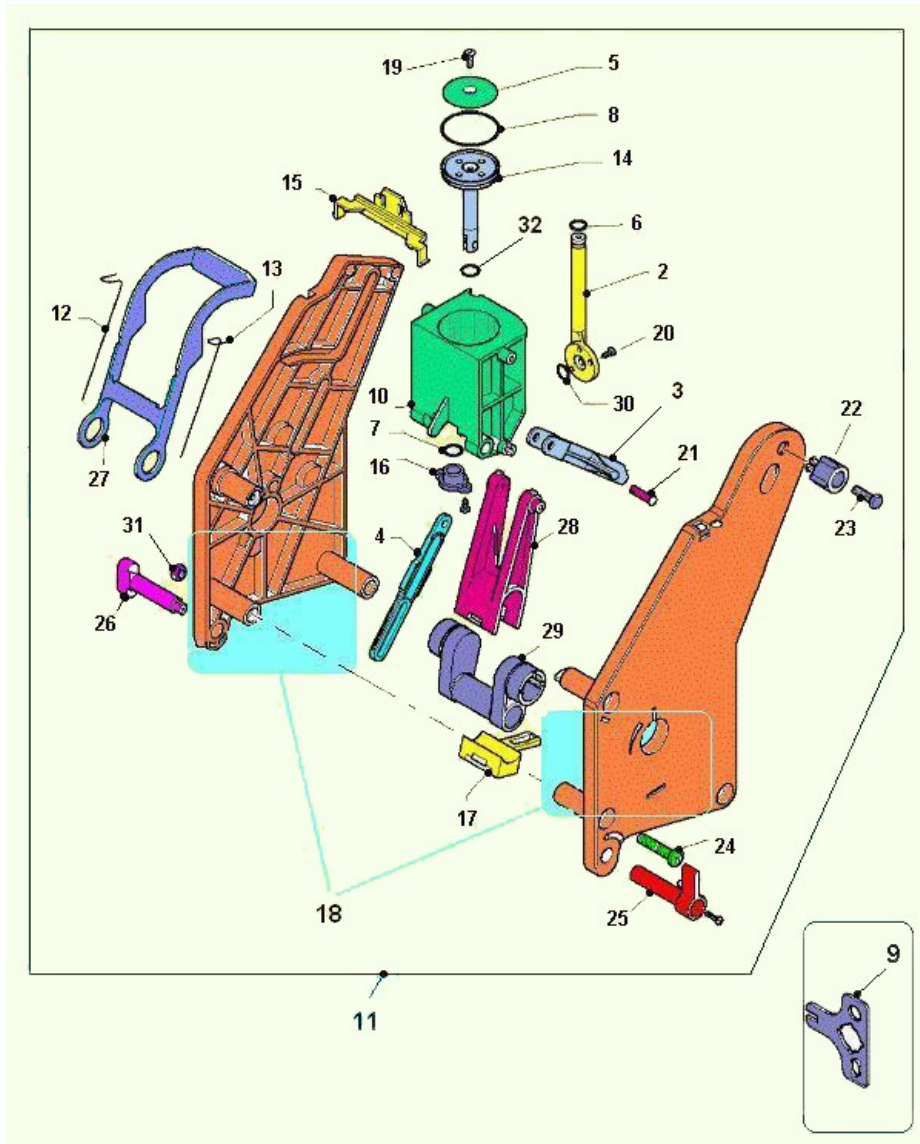
### ASSEMBLY DOSER CAFFE (964)



**ASSEMBLY DOSER CAFFE (964) - Item detail:**

Position	Code	Options	Description
1	43002410-02		doser assy with spacer
2	05135115-01		coffee doser tray
3	05135025		top cover for doserwn) C2000
4	05135315		coffee doser mobile wallwn) C2000
5	07020611		spring-971
6	01586212-02		MICRO SUPPORT
7	05154615		micro. coffee-dos. supporty grate(graph.)
8	20019146-01		magnet 5% 24v dcb.shaft
9	26029616		microswitch with cable(proof)7
10	33051716		4x25 IX parallel pin
11	07020511-01		magnet spring-971
12	34115316		M4 nut with washerODE
13	19058911		adjusting screw for microew
14	05135215		dose adjustment knobwn) C2000
15	05134815		Doser front coverwn) C2000
16	05134925		Doser rear coverwn) C2000
17	05135415		plastic coffee doser slidewn) C2000
18	05155615-01		spacer
19	07020911		coffee funnel spring-971

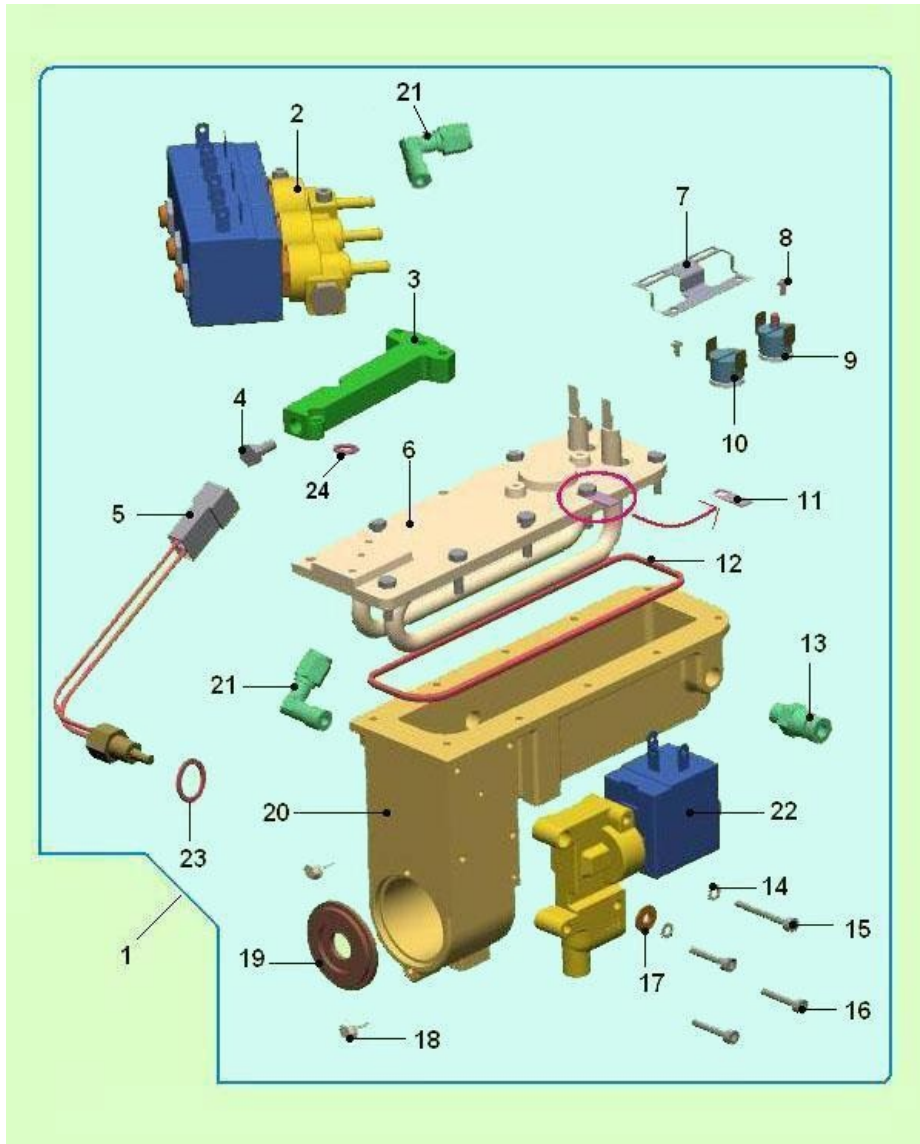
### GROUP COFFEE PLASTIC(1)



**GROUP COFFEE PLASTIC(1) - Item detail:**

Position	Code	Options	Description
2	05106815-01		tube for cupt.
3	05148315		rod liftert.
4	05107415		drive rodt.
5	16012021		coffee group filterer
6	36351316		o-ring for cooffe group pipeODE
7	36211916		OR 2037 gasketODE
8	36363116		Joint 2118 SH70 VITON
9	01475411-01		Coffee group rotation key
10	05106615-01		cupt.
11	95007420-02		plastic coffee group assy
12	07017911		right spatula spring-971
13	07017921		left spatula spring-971
14	05161215		waste coffee eject rod1
15	05133515		spacer for group sidespipe
16	05106715		bush cupt.
17	05107215		brackett.
18	43123910-01		front/rear shoulder assembly
19	32035236		TSP 3MAx16 IX screw
20	32222827		Blunt self-threaded screw 2,9x9,5
21	05107515		rivett.
22	05109515		Knobrame
23	32090636		TE 5MAx18 screwank
24	32060936		TC 4MAx20 screw
25	05107815		locking levert.
26	05107915		locking rodt.
27	05107015		spatulat.
28	05107115		connecting rodt.
29	05107615		crankt.
30	36210916		OR2021 gasketODE
31	34110316		Self-locking nut 5MA7
32	36212716		Joint 3037 SH70 VITON

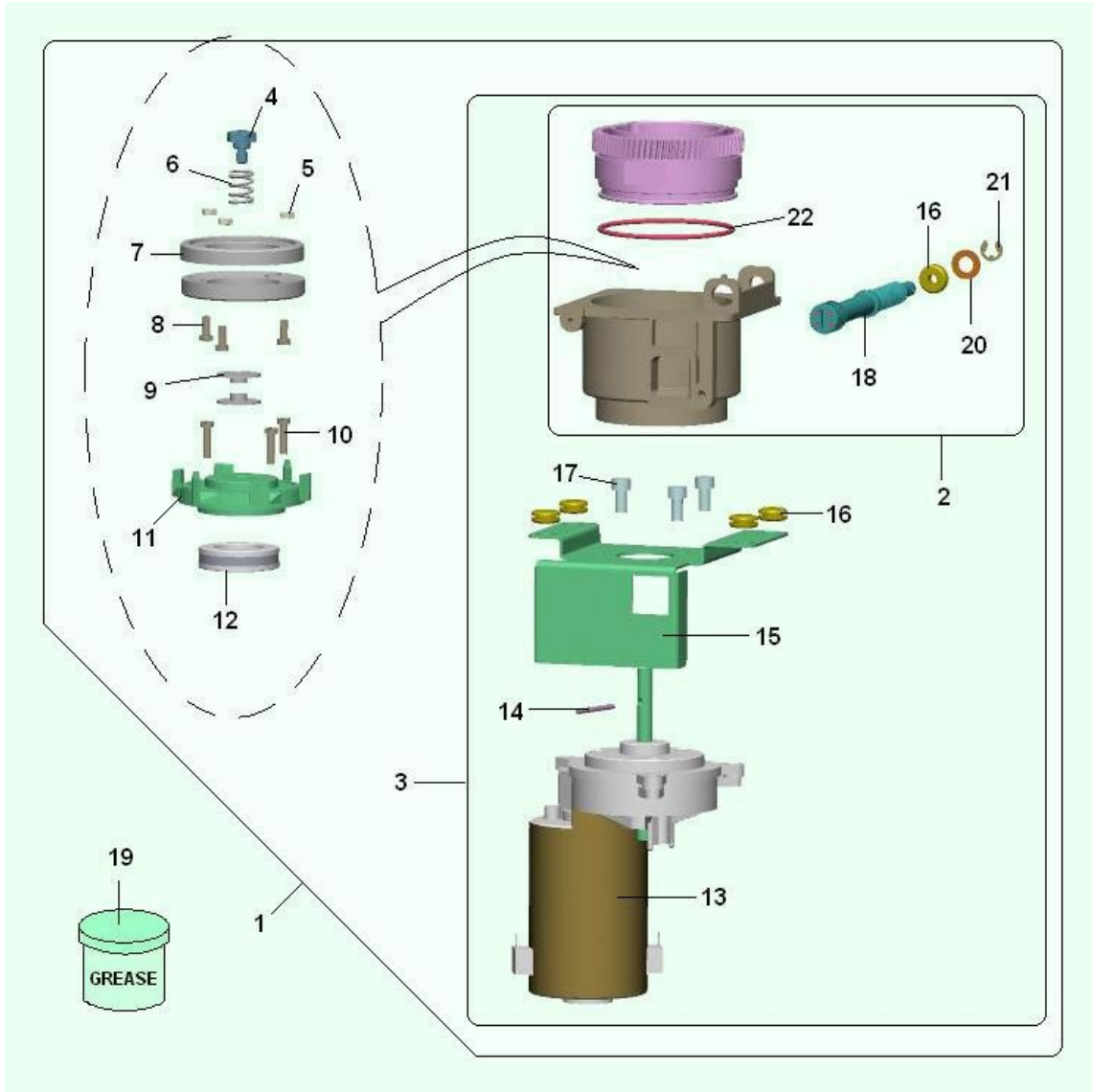
### ASSEMBLY BOILER ESPRESSO WITH ELETTR. INSTANT PRODUCTS (180)



**ASSEMBLY BOILER ESPRESSO WITH ELETTROV. INSTANT PRODUCTS (180) - Item detail:**

Position	Code	Options	Description
1	85003320		antares E5S boiler assy
2	25021516-01		24VDC group of 3EV 2ways d.2mm
3	19059411-01		new electrovalve block spacer
4	32125336		6 MA X 12 IX screw
5	26050826-01		Temp.sens. w/connector (inox)
6	29004312-01		heating element 1500W220V inox
7	01599411-02		Thermoregulator spring
8	32025116		TC 3MAx5 screw
9	25020616-01		manual recharge dixon (135°)
10	25020516		automatic recharge dixon110°
11	23020626		male tab
12	05143815		boiler gasket
13	04040316		drain valve
14	35160316		d. 4,2 IX self locking washer
15	32068216		4MAX30 screw
16	32067916		TCEI 4MAx20 screw
17	35157616		plain washer Ø.4,3 ac.ODE
18	32050516		screw 4 MAx10
19	18007011		piston stop washer OT58
20	13008011		espresso boiler body
21	04035326		elbow connection
22	25020856		3ways elect.valve24Vdc(0-7,5b)
23	18002516		copper gasket
24	36350116		O-Ring 2025ODE

### ASSEMBLY GRINDER VERTICAL ENGINE (29)

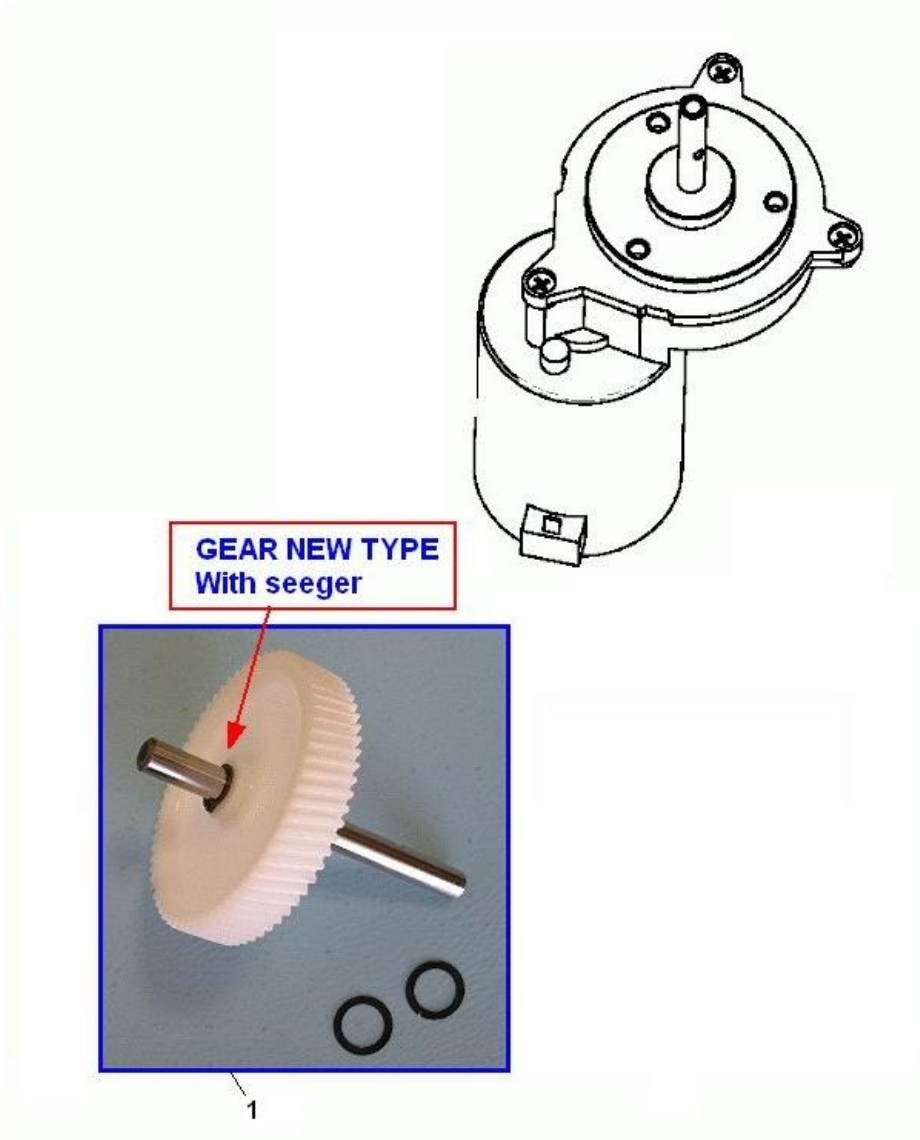


**ASSEMBLY GRINDER VERTICAL ENGINE (29) - Item detail:**

Position	Code	Options	Description
1	86001310-03		ametek grinder assy
2	43018910-01		grinder chamber assy w/knob
3	41038520		new grinder assy 24VDC ametekODE
4	19059021		screw for ametek springew
5	34102816		4MA hex nutODE
6	07020411		grinder holder spring-971
7	18007326		D=64 grinder blade 12teeth
8	32060516		4MAx10 screw
9	19060411		bush with washerew
10	32060836		Cross headed screw 4MA*16 IX
11	13008211-02		mobile blade support
12	19059216		bearingew
13	20020616		24VDC grinder Ametek gearmotor
14	12017411		wire D30x30er
15	01586921		Grinder Ametek support
16	23004086		cable damper(6*15 - rubber)able
17	32135316		MA6X12 cross-headed embedded hexagon Zn screw
18	05134715		grinder adjustment screwwn) C2000
19	43028311		40g food grease
20	35168826		flat washer D.8,4*15,5*1,2
21	37001116		Ø 6 seeger ring
22	36211316		O-ring 3262 NBR 70 SHODE



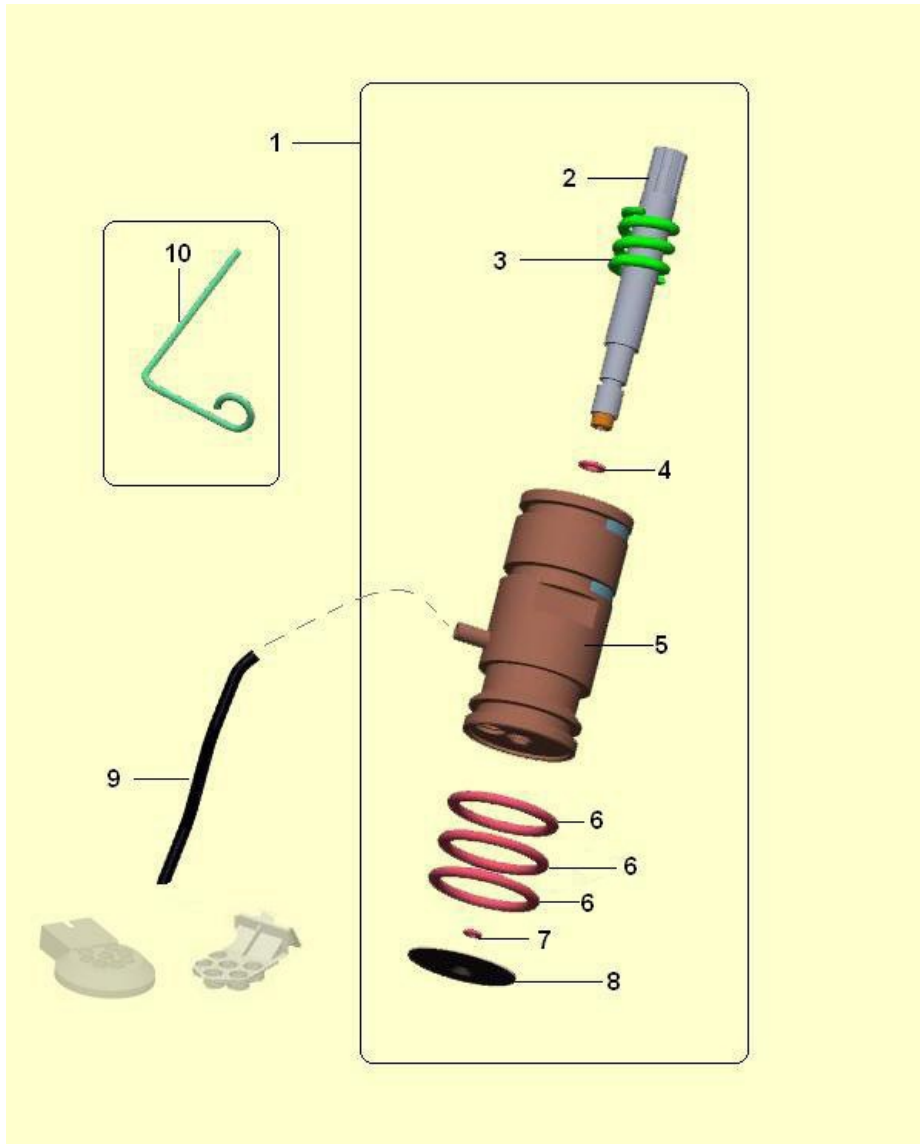
### GRINDER VERT. - GEAR (336)



**GRINDER VERT. - GEAR (336) - Item detail:**

Position	Code	Options	Description
1	43002726		gearing with pivot for ametekmetek

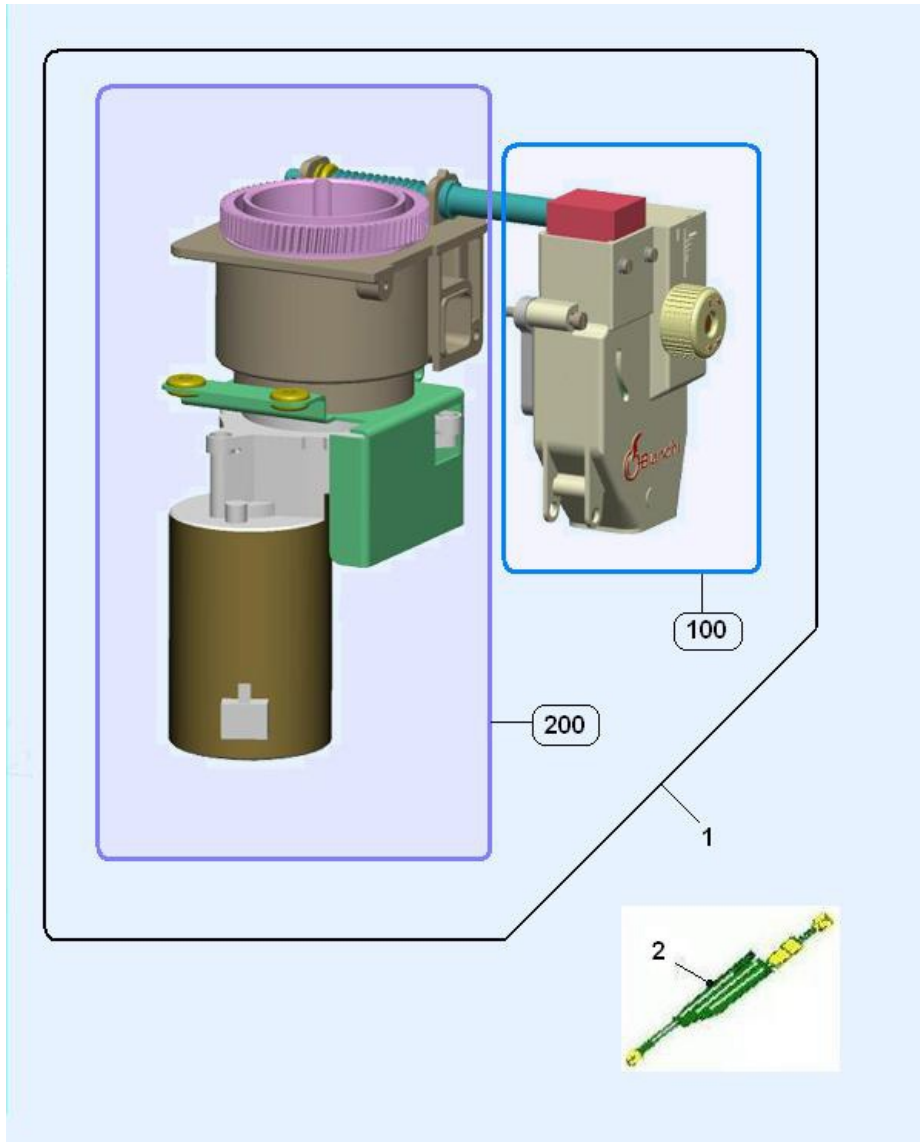
### ASSEMBLY PISTON(7)



**ASSEMBLY PISTON(7) - Item detail:**

Position	Code	Options	Description
<b>1</b>	05138130-01		Cegasa coffee-gr. piston assy
<b>2</b>	05107725		piston filter knobt.
<b>3</b>	07017611-01		piston spring
<b>4</b>	36210916		OR2021 gasketODE
<b>5</b>	05148032-01		Piston with valve seat
<b>6</b>	36211816		OR4112 gasketODE
<b>7</b>	36212116		OR2010 gasketODE
<b>8</b>	16014812		filter assyer
<b>9</b>	09087873-02		3x6 brown silicone pipe
<b>10</b>	07017511		piston block rod-971

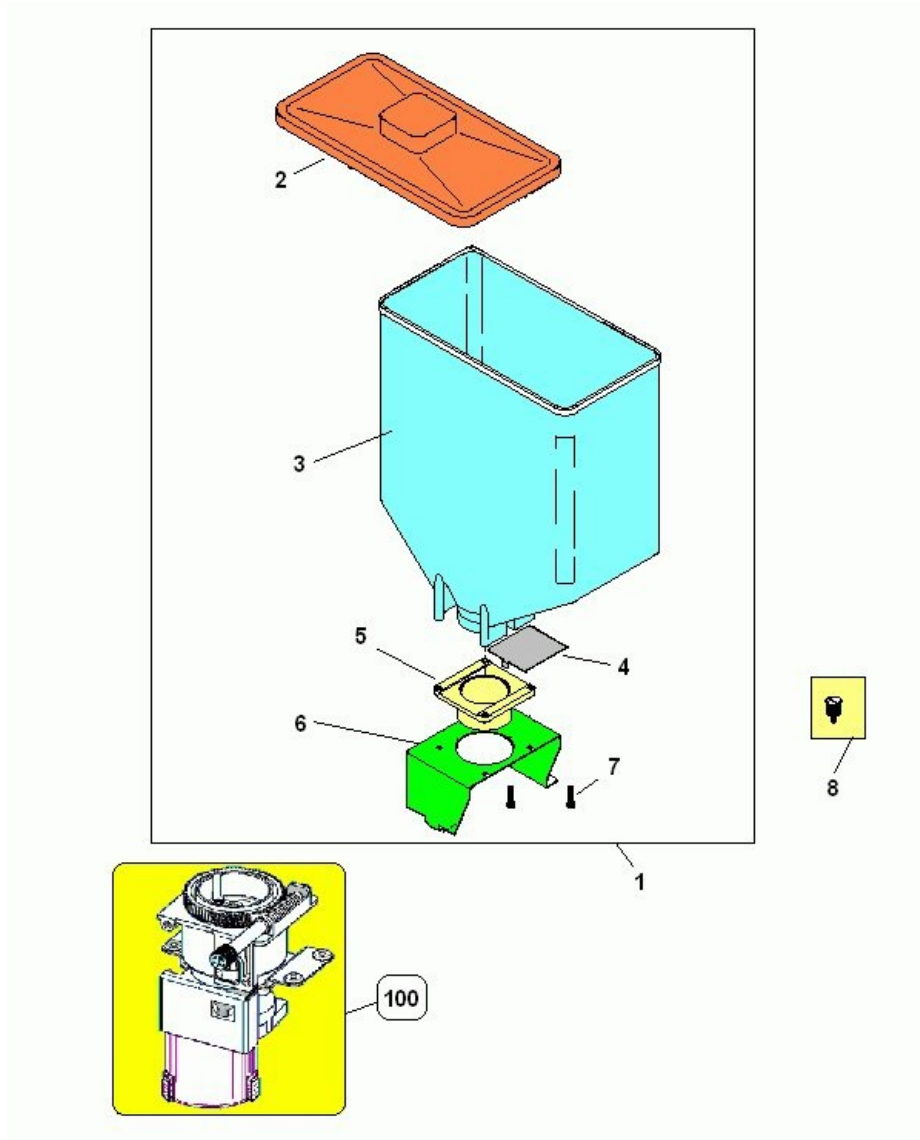
### ASSEMBLY GRINDER-DOSER (404)



**ASSEMBLY GRINDER-DOSER (404) - Item detail:**

Position	Code	Options	Description
<b>1</b>	96057610-02		ametek 12teeth grinder+doser
<b>2</b>	22126622		AMETEK FAST 4,8 grinder motor protection
<b>100</b>	1873		ASSEMBLY DOSER CAFFE (964)
<b>200</b>	246		ASSEMBLY GRINDER VERTICAL ENGINE (29)

### COFFEE BEAN HOPPER COFFEE (399)

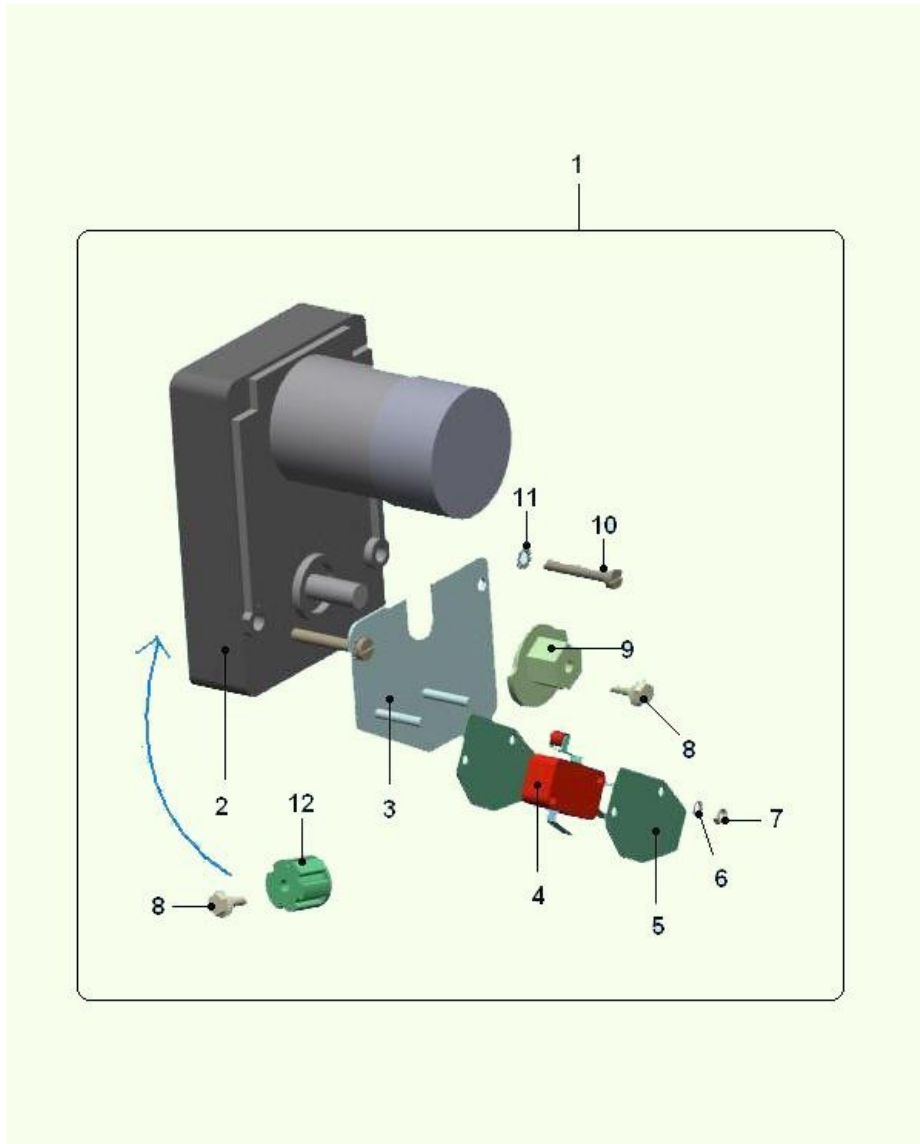


**COFFEE BEAN HOPPER COFFEE (399) - Item detail:**

Position	Code	Options	Description
<b>1</b>	05235310		3,5kg coffee canister assy
<b>2</b>	05232815M37		3,5kg coffee canister cover
<b>3</b>	05232715-01M16		3,5kg coffee canister
<b>4</b>	01228311		waste coffee bulkhead
<b>5</b>	00112050		flange for feedbox
<b>6</b>	01782431		BV972/952ANE29 beans cont.supp
<b>7</b>	32010736		4,0X20 UNI9707 tapping screw
<b>8</b>	19043521		fixing knobgroup
<b>100</b>	811		ASSEMBLY GRINDER-DOSER (404)



### GEARMOTOR COFFEE GROUP (483)



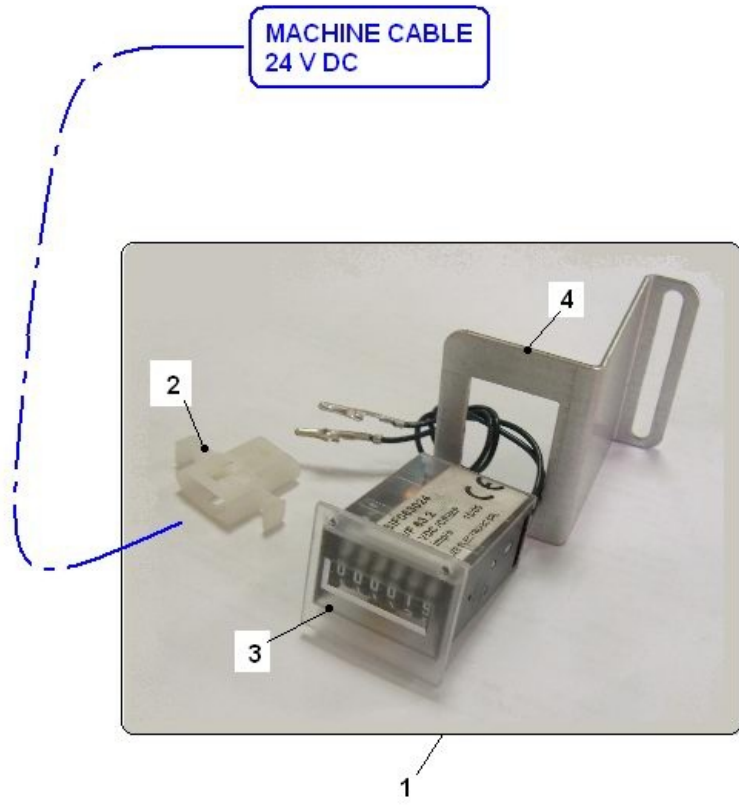
**GEARMOTOR COFFEE GROUP (483) - Item detail:**

Position	Code	Options	Description
<b>1</b>	20016810-03		Motor assy w/24V cable coffee group
<b>2</b>	20014946-02		24VDC12rpm cof.group gearmotor w/out cable
<b>3</b>	01484212		bracket for microion plate
<b>4</b>	26005126		microswitch with wheel
<b>5</b>	08004111		microswitch insulationr spring
<b>6</b>	35160216		self-locking diam.3.2
<b>7</b>	34102716		M3 hexagonal nut
<b>8</b>	32050516		screw 4 MAX10
<b>9</b>	05110915-01M09		black rotating group cam
<b>10</b>	32061016		4M x 25 screw
<b>11</b>	35160316		d. 4,2 IX self locking washer
<b>12</b>	41081216		

## Group charts



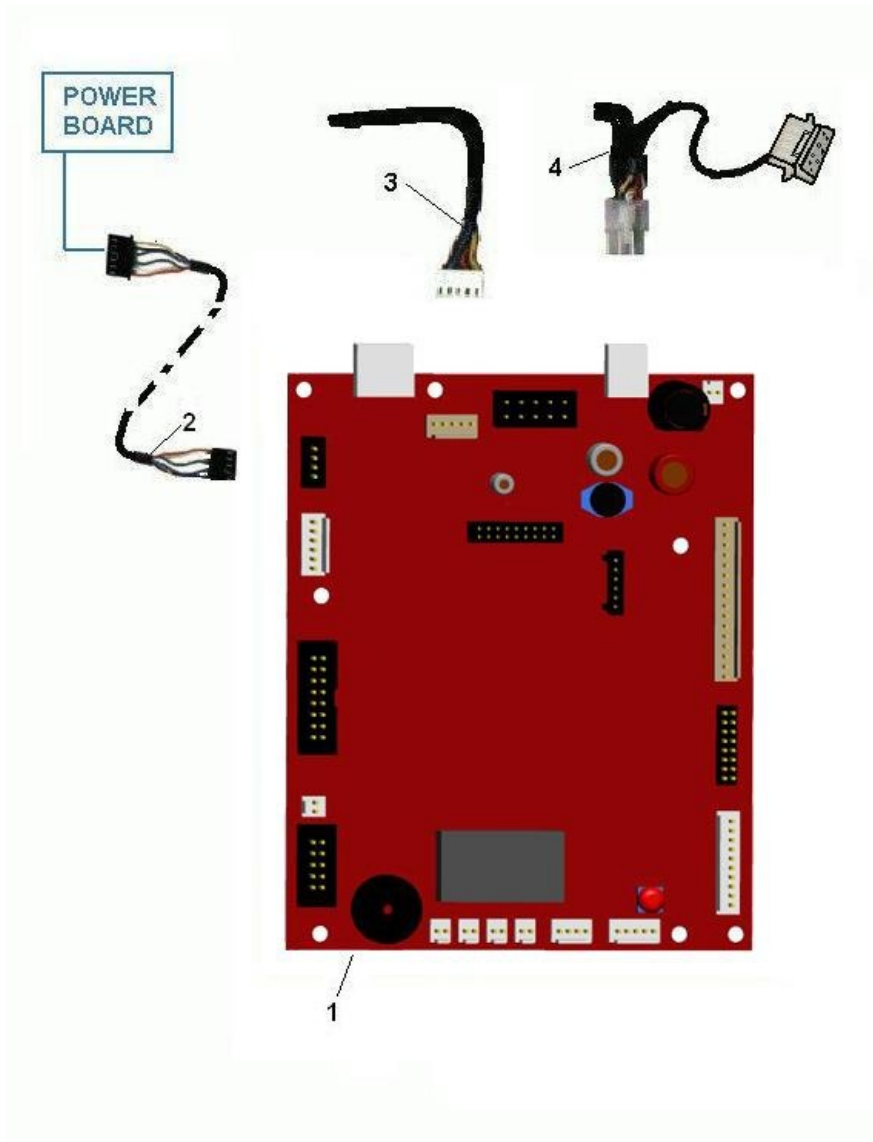
### KIT ELECTROMECHANICAL SELECTIONS COUNTER (545)



**KIT ELECTROMECHANICAL SELECTIONS COUNTER (545) - Item detail:**

Position	Code	Options	Description
1	43030310		sel.counter kit
2	23009616		3ways female connectorable
3	28001156		sel.counter 24VDC quick connect.
4	01669111-01		Mechanical counter support

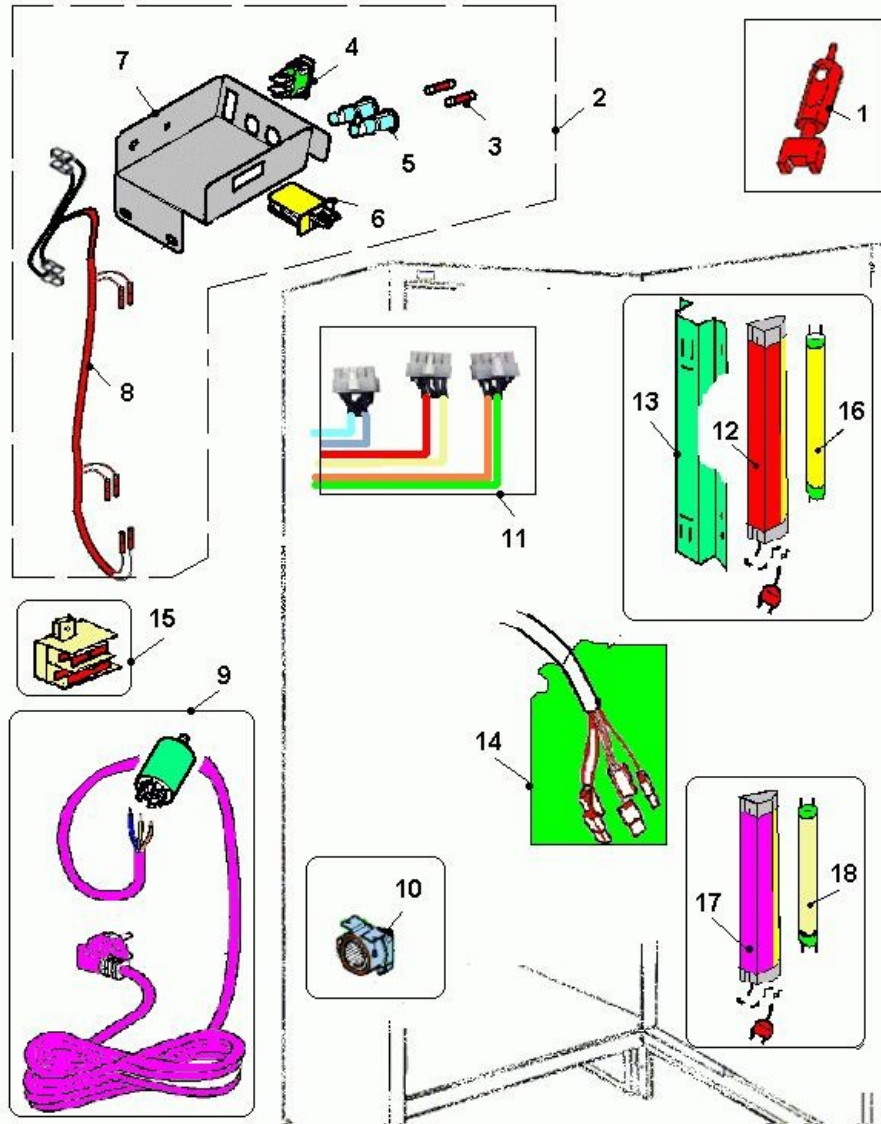
### ELECTRONIC BOARD - MASTER (800)



**ELECTRONIC BOARD - MASTER (800) - Item detail:**

Position	Code	Options	Description
1	26027336-04		Red SMT w/micro256K CPU board
2	43020012		cable from Master B.SMT to Pow.B SMT
3	22084222-01		executive cablem.
4	22172312		SIRIOmdb+executive supply cable

### COMPONENTS AND CABLES (386)

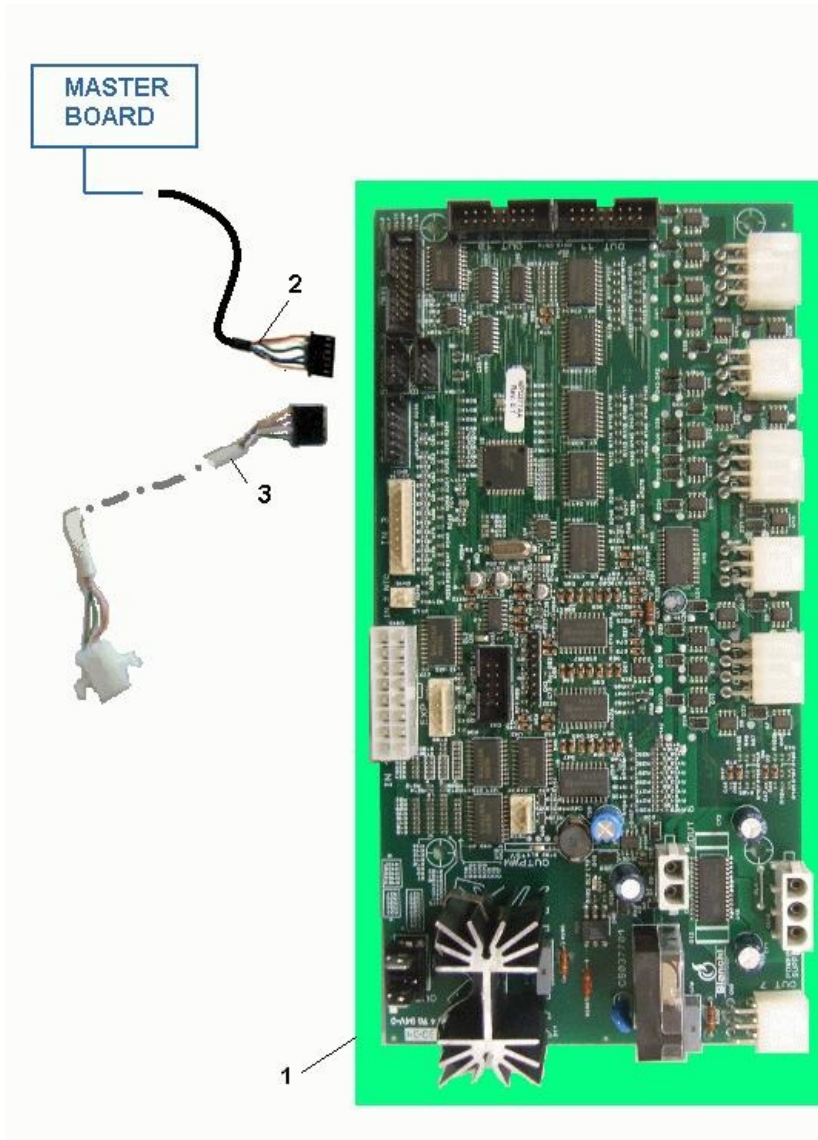




**COMPONENTS AND CABLES (386) - Item detail:**

Position	Code	Options	Description
1	05097215-02M09		Service key XT Clixon black am
2	94033410		BVM951 switch box assy
3	23014916		10 Amp. fuseable
4	23014416		socket 2P+Gable
5	23017316		6.3x32 snap-type fuse holderable
6	26016726		safety switchm
7	01815611-01		Switch & plug box
8	22173012-01		BVM 950 switch wiring
9	26026326		net filter quick connection with cable
10	20006316-01		aspirator w/spacer (ant-sir-or
11	22172912-01		BV950 cable
12	23039126-01		Neon lamp F.A.230V 8W LNK4100
13	01812311		omega upper neon BVM951
14	22172812		bvm950 door cablele
15	23038816		BVM plugs assyer
16	41081626		Neon kit for lamp 8W
17	23039116-01		Neon lamp F.A.230V 6W LNK6400
18	41081616		Neon kit for lamp 6W

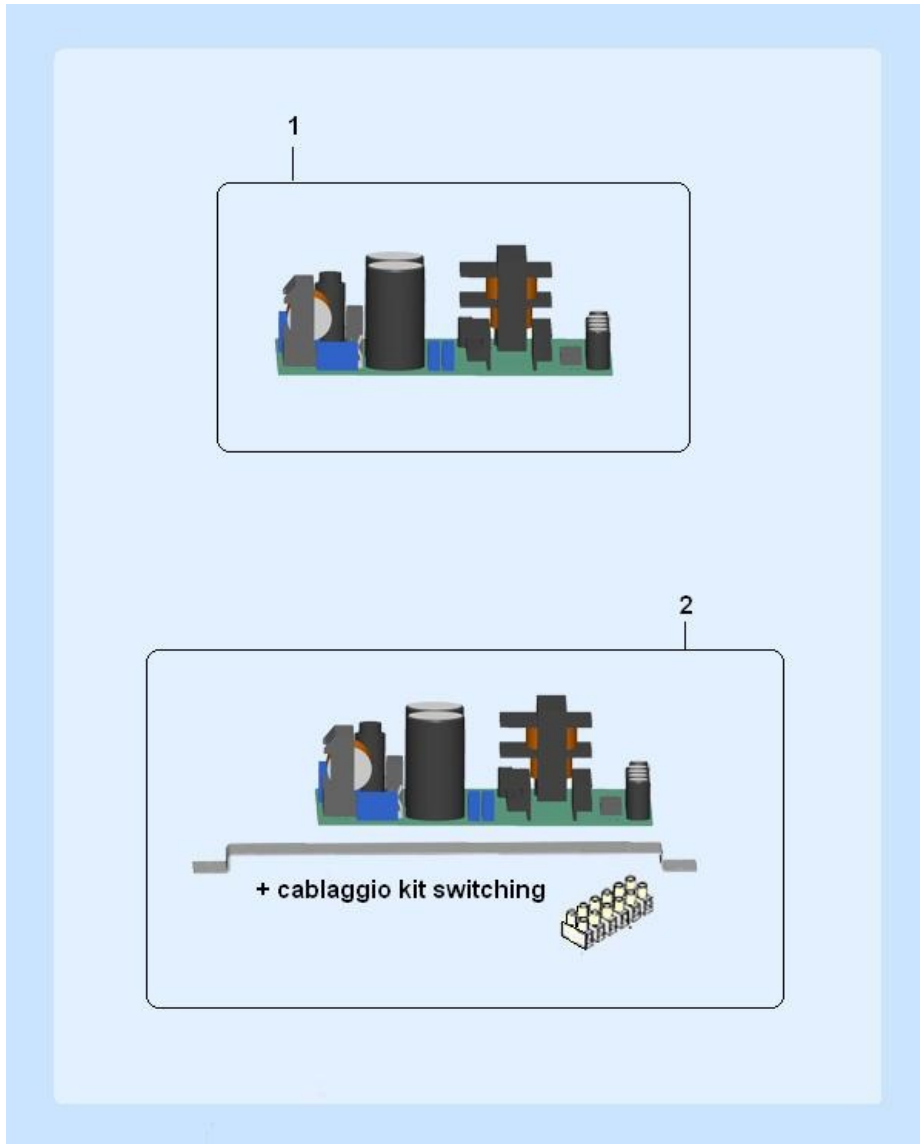
## ELECTRONIC BOARD - POWER (388)



**ELECTRONIC BOARD - POWER (388) - Item detail:**

Position	Code	Options	Description
1	26048416-01		Blue SMT micro256K POWER board
2	43020012		cable from Master B.SMT to Pow.B SMT
3	22125052		Master slave cable322mm

## POWER SUPPLY SWITCHING (389)



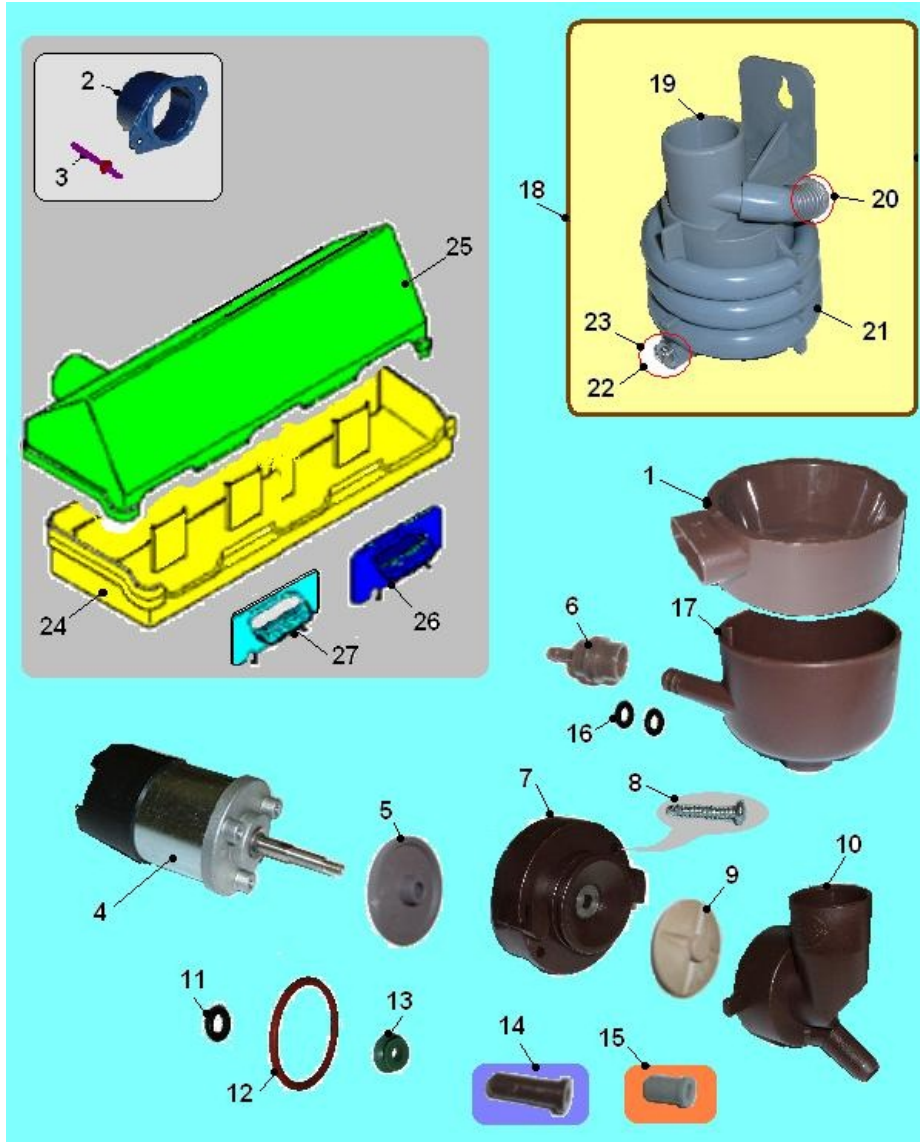
**POWER SUPPLY SWITCHING (389) - Item detail:**

Position	Code	Options	Description
1	26048356-01		switch powersupply24V120W/360W

## Group charts



### COMPONENTS FOR MIXERS(644)

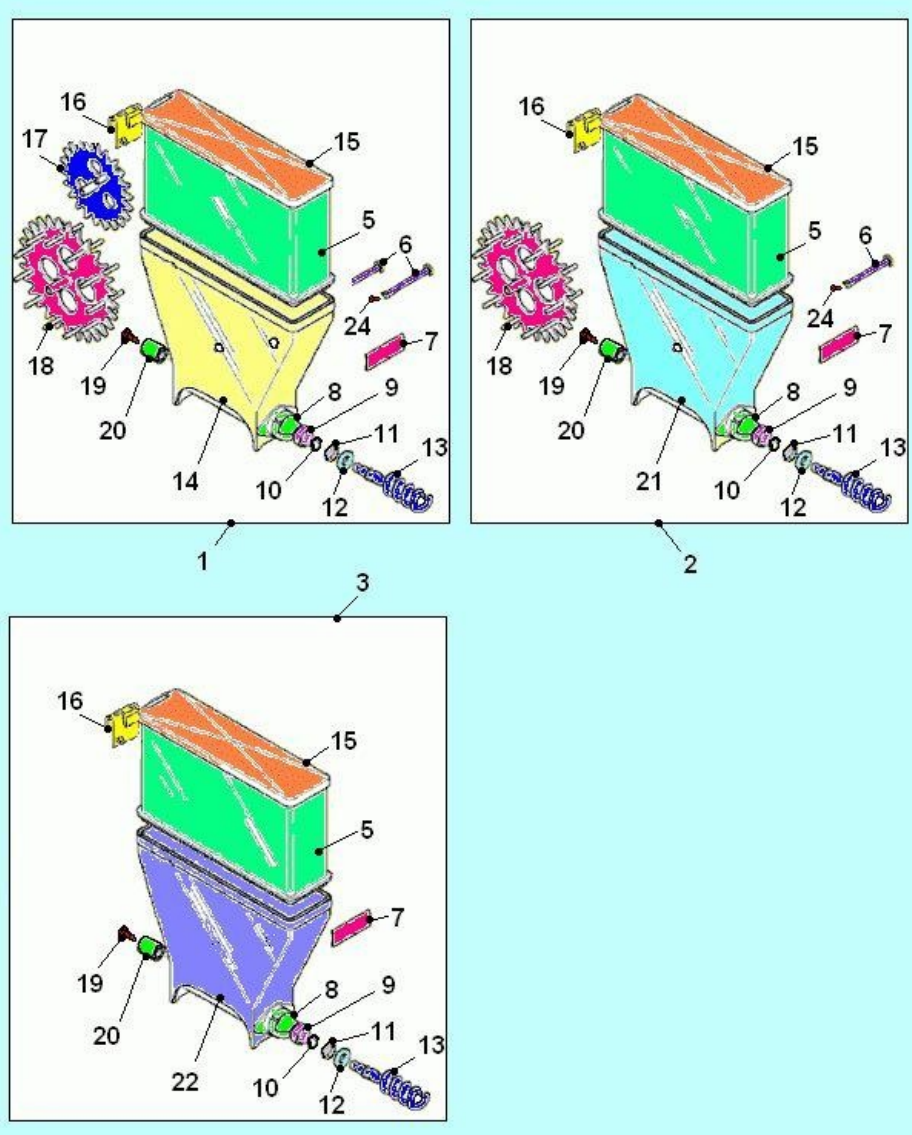


**COMPONENTS FOR MIXERS(644) - Item detail:**

Position	Code	Options	Description
1	05113825		brown mixing bowl coveronL=53
2	05071915		aspiration pipe connectionipe 8
3	33050126		3.2x8 rivetODE
4	20020016-01		24VDC mixermotor w/o cable
5	05154015		mixer protection disk grate(graph.)
6	05132525		brown r. holder connec.for 3,5pipe
7	05133242		brown mixer flange with washerpipe
8	32224356		3.9x22 self-tapping screw
9	05111825		mixer impellert.frame silver
10	05111625		brown mixing chambert.frame silver
11	36210916		OR2021 gasketODE
12	36210716		OR 3131 gasketODE
13	36351215		green V-seal gasketODE
14	05102225		brown mixing chambersy
16	36203816		OR 106 6,75/1,78 gasketODE
17	05113745M57		mixing bowl L=10 black am
18	43027810-01		tea serpentine assy ant.peg.
20	07017711		tea serpent. spring-971
21	09087843M57		7x11 black AM silicone pipe
22	32010226		scew 3,5*10 TCB 2F UNI9707
23	35168616		plain washerODE
24	05116825		brown lower aspiration box 3 mixers
25	05116925		brown upper aspiration box 3 mixers
26	05117215		aspiration box plugixers
27	05117615		vapor aspiration box opening



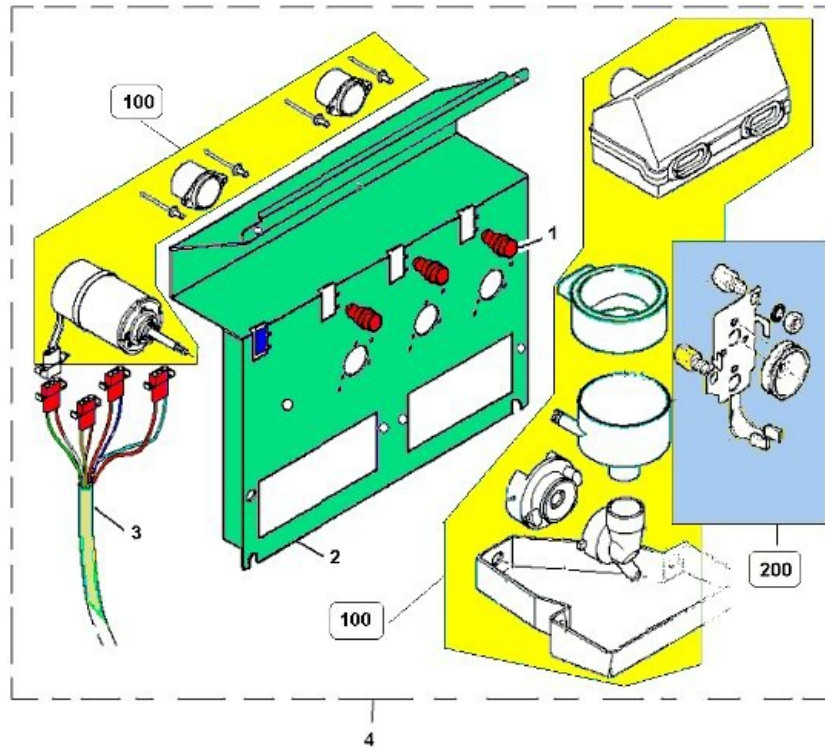
### CANISTER DOSER (686)



**CANISTER DOSER (686) - Item detail:**

Position	Code	Options	Description
1	96035940-01		canister assy (2 wheels-100MM)m
2	96035850-01		canister assy (1 wheel -100MM)m
3	96035740-01		Canister without wheel ext.100mm assy
5	05112735		upper product canister extentionL=100
6	05133115-01		canister pivotpipe
7	05113415		hookonL=53
9	05112535		auger pin bushing
10	36200616		Oring 15x2
11	36250016		DI 043 gasketODE
12	05113215		sealing bushing for augeronL=53
13	05124515		dispensing augerl
15	05112915		canister lidonL=53
16	05113015		hook for canisteronL=53
17	05112315		secondary cogwheel for canister
18	05112215-02		main cogwheel for canister
19	32222916		2,9x13 self-tapping screw
20	05113315		auger jointonL=53
21	05158625-02		1W Lower dispenser canister
24	05160215		wedge for canister pivotrt

### ASSEMBLY SUPPORT GROUP MIXERS (397)

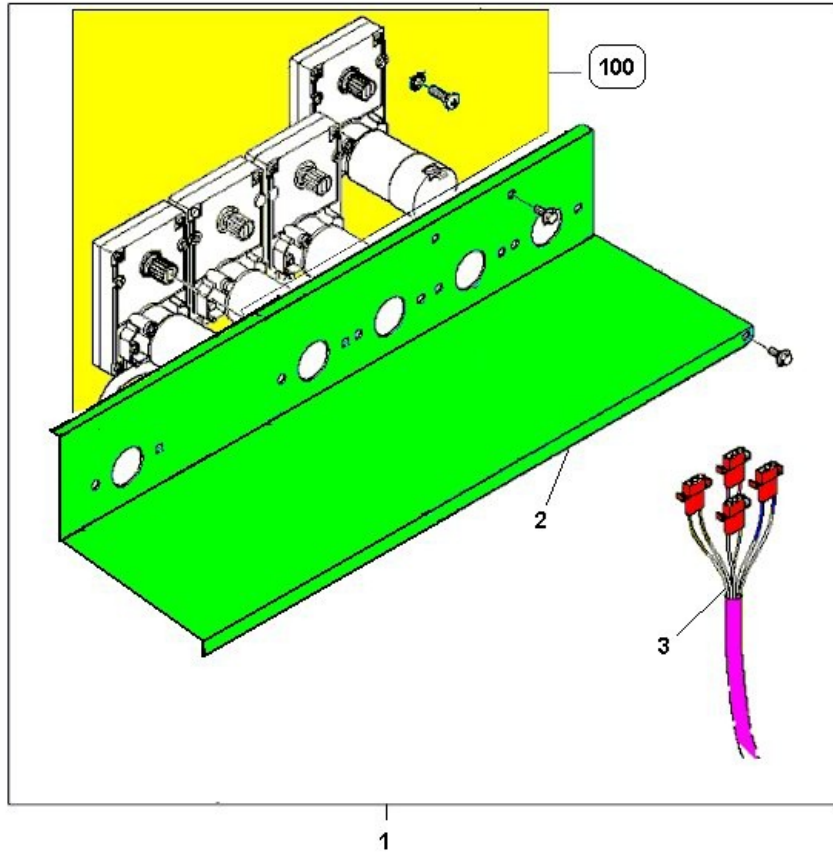


---

**ASSEMBLY SUPPORT GROUP MIXERS (397) - Item detail:**

Position	Code	Options	Description
<b>1</b>	05132525		brown r. holder connec.for 3,5pipe
<b>2</b>	01660011-02		Antares E5S mixer supp. plate
<b>3</b>	22173212		bvm950mixer cablele
<b>4</b>	96055420		BVM951Es mixer support assygs)SirFB
<b>100</b>	807		COMPONENTS FOR MIXERS (405)
<b>200</b>	808		MIXERS - CHAMBER HEATED

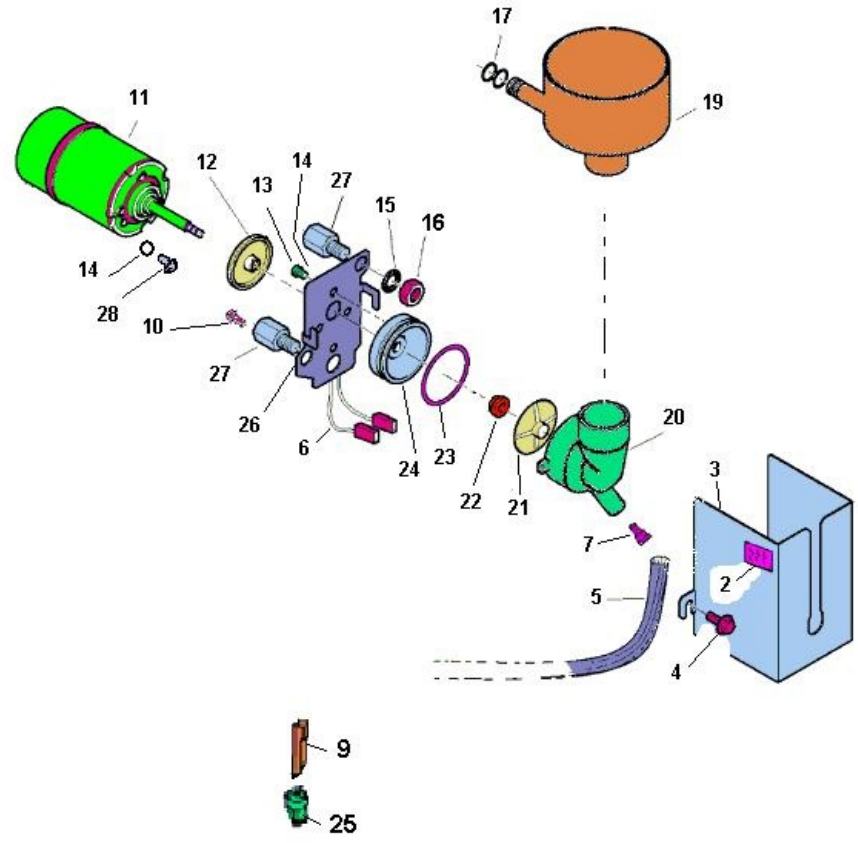
### GROUP GEARMOTORS (396)



**GROUP GEARMOTORS (396) - Item detail:**

Position	Code	Options	Description
<b>1</b>	96056120		BVM951 gearmotor support assygs)SirFB
<b>2</b>	01660112-02		canister support assy
<b>3</b>	22173112		bvm950gearmotors cablele
<b>100</b>	810		GEARMOTORS (401)

**MIXERS - CHAMBER HEATED**

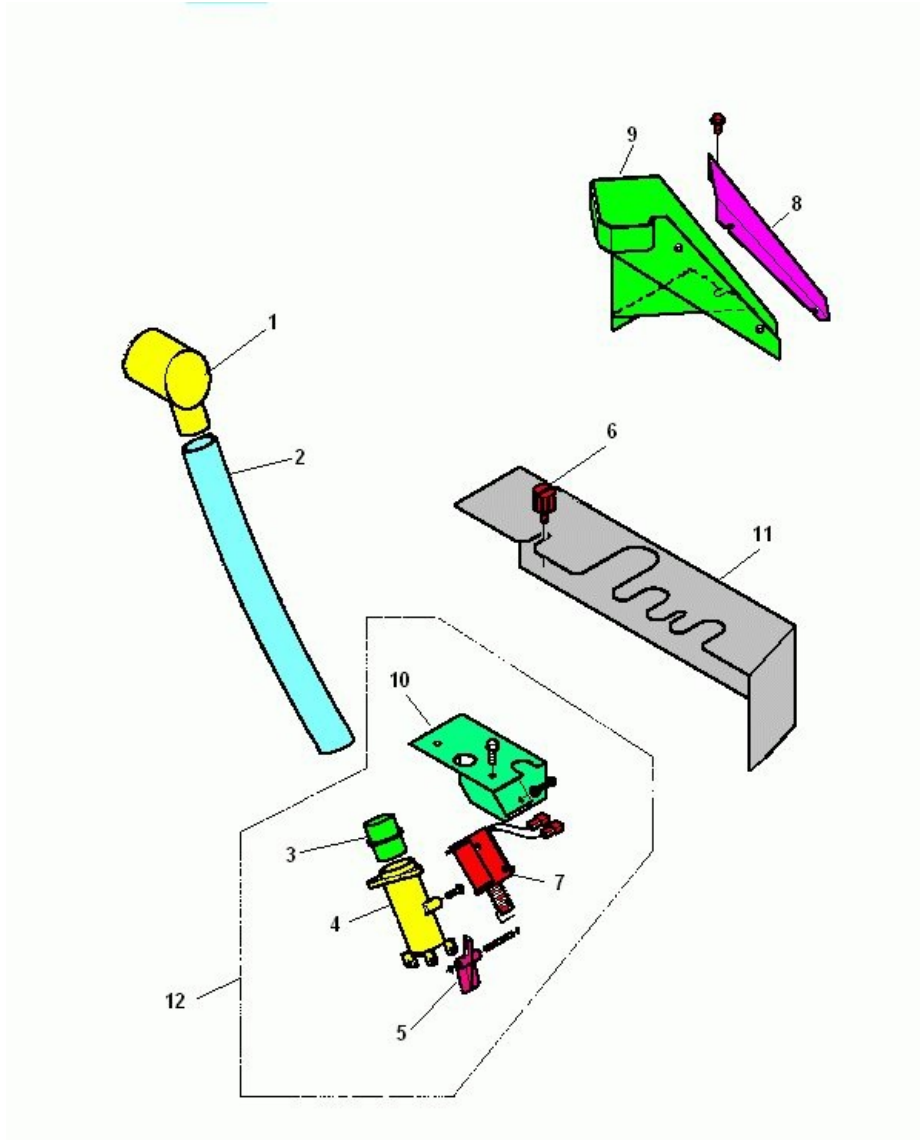


**MIXERS - CHAMBER HEATED - Item detail:**

Position	Code	Options	Description
2	30069411-01		temperat.safety sticker
3	01601111-03		heating chamber coversy
4	32227256		3.9x9.5 self-tapping screw9,5
5	09087823		grey silicon pipe 5x9581
5	09087823-02		brown sez silicon pipe 5x9
6	29004216		20W 24V heating element(heat.mixer)
7	05102225		brown mixing chambersy
9	05099715-01		white L=48 nozzlesy
10	32050516		screw 4 Mx10
11	20020016		24VDC mixermotor screwed shaft
11	20020016-01		24VDC mixermotor w/o cable
12	05154015		mixer protection disk grate(graph.)
13	32060416		4Mx8 screw
14	35160316		d. 4,2 IX self locking washer
15	35160616		Ø 8.3 self-locking washerODE
16	34103116		8MA hex nutODE
17	36203816		OR 106 6,75/1,78 gasketODE
19	05113725		heated mixing bowlonL=53
20	05137615		verton mixer chamberle
21	05111825		mixer impellert.frame silver
22	36351215		green V-seal gasketODE
23	36212516		O-Ring 29,74x2,95 vitonODE
24	19033441		mixer basegroup
25	05099615		nozzle bushsy
26	01123821		61,5 step bowl support
27	19056531-01		Spacer nut L=26,5Aristos
28	32050416		M4x8 screw



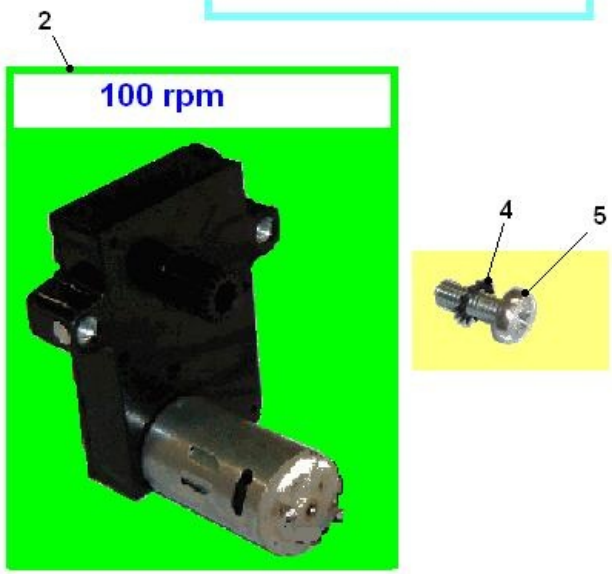
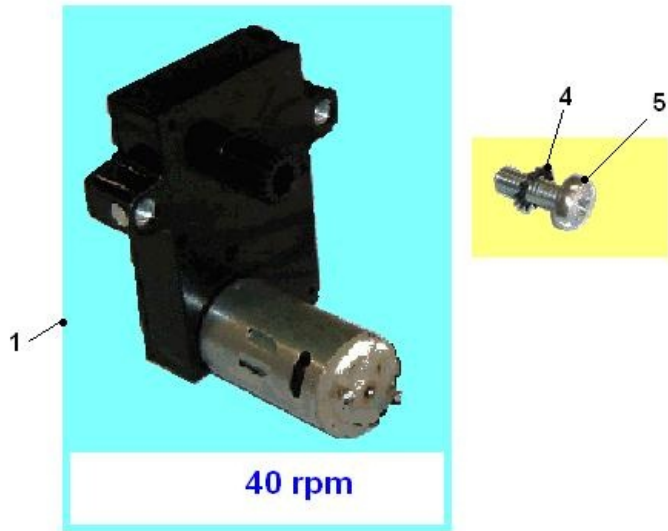
### DOSER SUGAR (407)



**DOSER SUGAR (407) - Item detail:**

Position	Code	Options	Description
1	05123015M37		BROWN SUGAR NOZZLE
2	09027653		20x26 PVC pipe581
3	05096215		sugar pipe connectionle
4	05104715-02M37		Sugar supply brown flange
5	05123715		doser lever with holel
6	19043521		fixing knobgroup
7	20008946		24V DC 15% magnetew
8	05138025		brown sugar slide coverle
9	05137925		antares brown sugar slidele
10	01519612		sugar dispenser support assyack
11	01518911-02		antares sugar dispenser cover0
12	96032810		antares sugar delivery systemk

## GEARMOTORS (401)



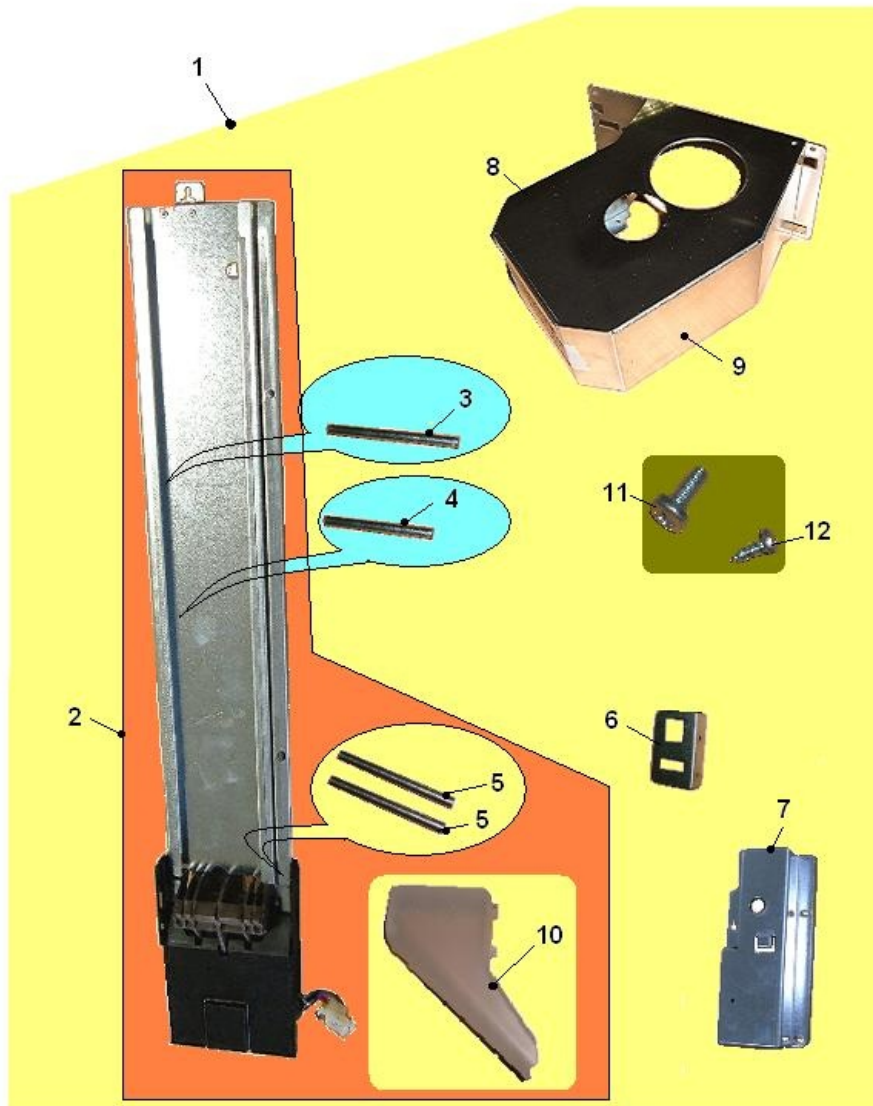
**GEARMOTORS (401) - Item detail:**

Position	Code	Options	Description
1	20016916-02		MOT.24VDC 40G/M w/outPLS.CABL.
2	20017016-02		100 rpm 24V DC gearmotor w/o cable
4	35160516		6.2 self-locking washer
5	32130616		6MAx16 screw

## Group charts



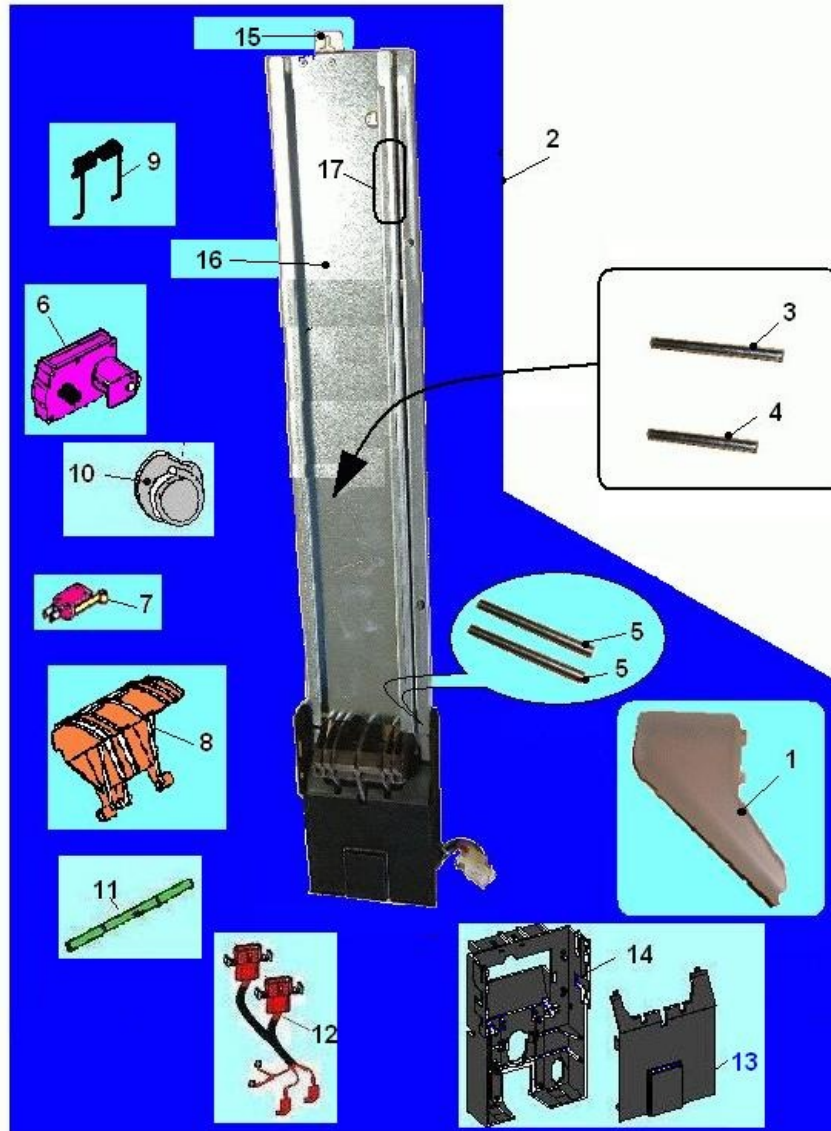
### KIT FITTING NEW STIRRER DISPENSER (597)



**KIT FITTING NEW STIRRER DISPENSER (597) - Item detail:**

Position	Code	Options	Description
2	91007320-05		spoon disp assy BV951 L=90/105
3	12013611-02		Metal weight for spoons 105mm
4	12004611-02		Metal weight for spoons 90mm
5	12047111		spoons ejection tube
6	01826811		Cup dispenser connector plate
7	01790021-01		BV951 spoon dispenser support
8	01826721-01		Bv951 cup dispen.cover
9	01826621		BV95 cup dispenser frame
10	05241415-02M00		Spoon slide right BV951
11	32188216		3max5 tc screw

### DETAILS FOR: TAB.STIRRER DISPENSER (626)

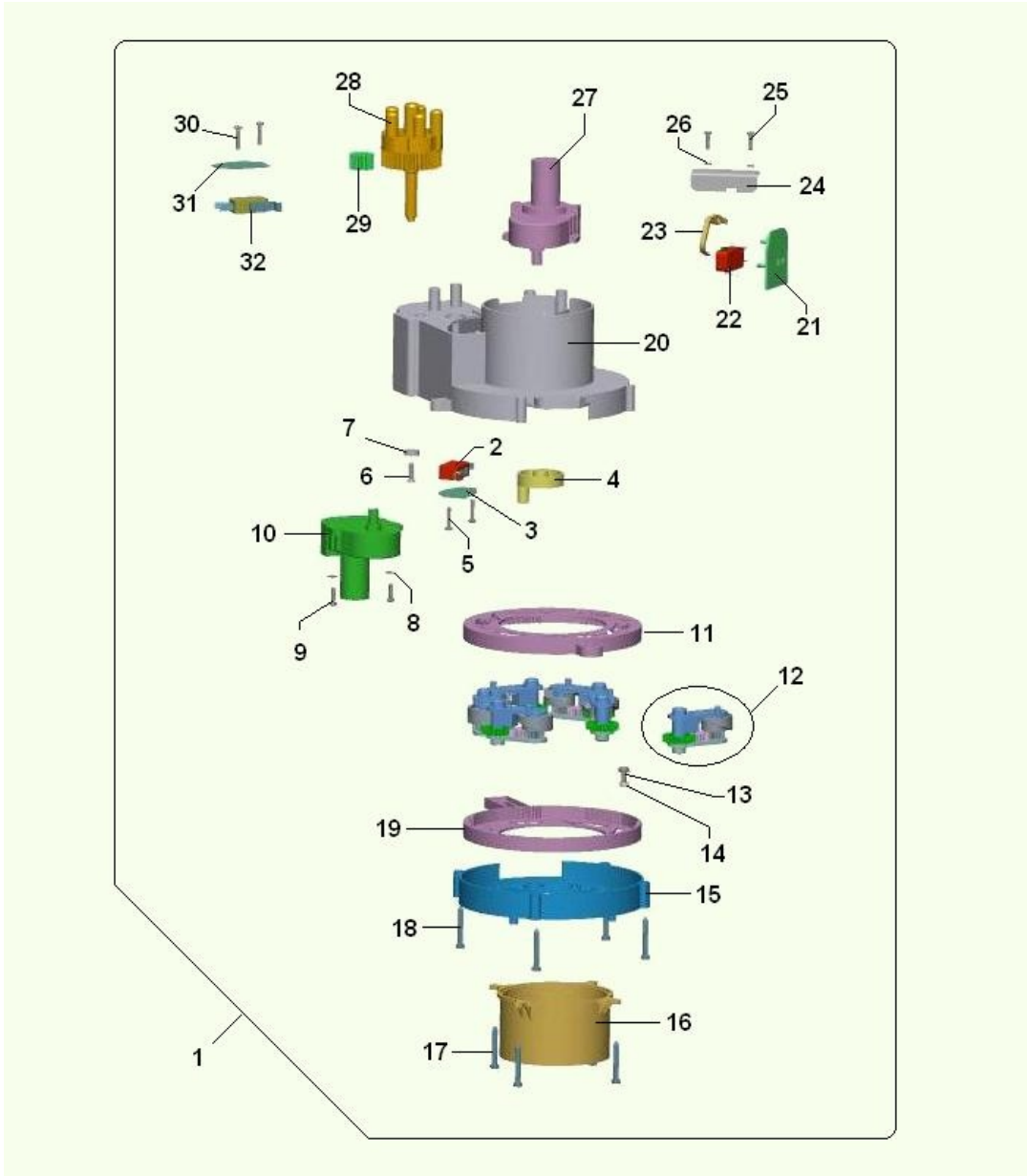




**DETAILS FOR: TAB.STIRRER DISPENSER (626) - Item detail:**

Position	Code	Options	Description
1	05241415-02M00		Spoon slide right BV951
2	91007320-05		spoon disp assy BV951 L=90/105
3	12013611-02		Metal weight for spoons 105mm
4	12004611-02		Metal weight for spoons 90mm
5	12047111		spoons ejection tube
6	20020926		24DC 25rpm gearmotor
7	26029626		microswitch(proof)7
8	05149015-02M37		Spoons ejector for iris es
9	07021731		Cup disp.90/105foot spring 1,3
10	05241515-02M00		Spoon dispenser moving cam
11	19059811-01		Iris spoons ejector shaft
12	22180112		BV951/71 pls spoon disp.90/105
13	05241615M05		grey spoon box cover
14	05241315-03M05		grey spoon box
15	01839811		Spoon dispenser guide
16	01837721-03		BV951 spoon dispenser L=90-105

### COMPONENTS DISPENSER CUPS (628)



**COMPONENTS DISPENSER CUPS (628) - Item detail:**

Position	Code	Options	Description
<b>1</b>	28007110-01		OR-SI-ANT cup dispenser assy
<b>2</b>	26005136		microswitch with wheelm
<b>3,31</b>	08004111		microswitch insulationr spring
<b>4</b>	05121115		ring movement camite
<b>6</b>	32230566		screw self-tapping 4x18
<b>7</b>	05136215		bushsp.
<b>10</b>	20019316-01		24V DC gearmotor (NEW)
<b>11</b>	05120915M37		cup diam.regulation ring brown
<b>12</b>	05131020		CUP DISPENSER COCHLEA ASSY
<b>13</b>	32060616		4MAx12 screw
<b>14</b>	34102816		4MA hex nutODE
<b>15</b>	05120615M37		cupdispencer lower cover brown
<b>16</b>	05121015		pegaso funnelite
<b>17</b>	32222816		2.9x9.5 self-tapping screw
<b>18</b>	32010936		4,0X30 UNI9707 tapping screw
<b>19</b>	05120815M37		cups ejecting ring brown
<b>20</b>	05140115M37		upper cover c/pop brown
<b>21</b>	05121215-01M37		Cup dispen.microswitch supp.brown
<b>22</b>	26017016		micro without lever 10gr-m
<b>23</b>	05121315-02		cup presence sensor
<b>24</b>	01576411		microswitch support bracketblue
<b>25,9</b>	32025516		3max10 tc screw
<b>26,8</b>	35160216		self-locking diam.3.2
<b>27</b>	20018416-01		24VDC 12RPM 2,2nF 100V gearmotor
<b>28</b>	05136015		cam for cup turret rotationsp.
<b>29</b>	05136115		cup dispenser motor pinionsp.
<b>30,5</b>	32025716		3MA x 16 TC screw
<b>32</b>	26005156		micro with leverm

### STIRRERS DISPENSER(656)

**100**

**KIT RETROFIT**

**SPOONS DISPENSER NEW**

**200**

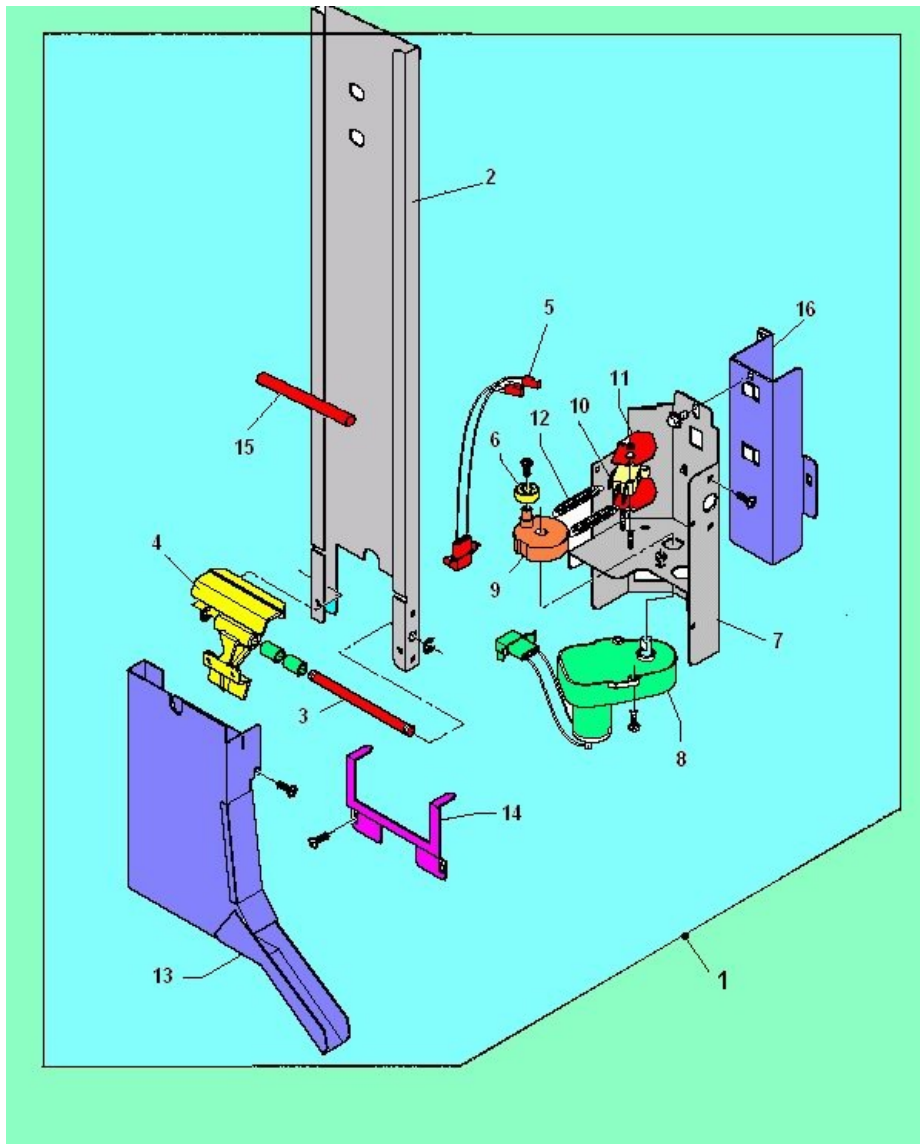
**SPOONS DISPENSER OLD**

**300**

## STIRRERS DISPENSER(656) - Item detail:

Position Code Options		Description
<b>100</b>	1307	KIT FITTING NEW STIRRER DISPENSER (597)
<b>200</b>	1348	DETAILS FOR: TAB.STIRRER DISPENSER (626)
<b>300</b>	281	DETAILS FOR: TAB. STIRRER DISPENSER(89)

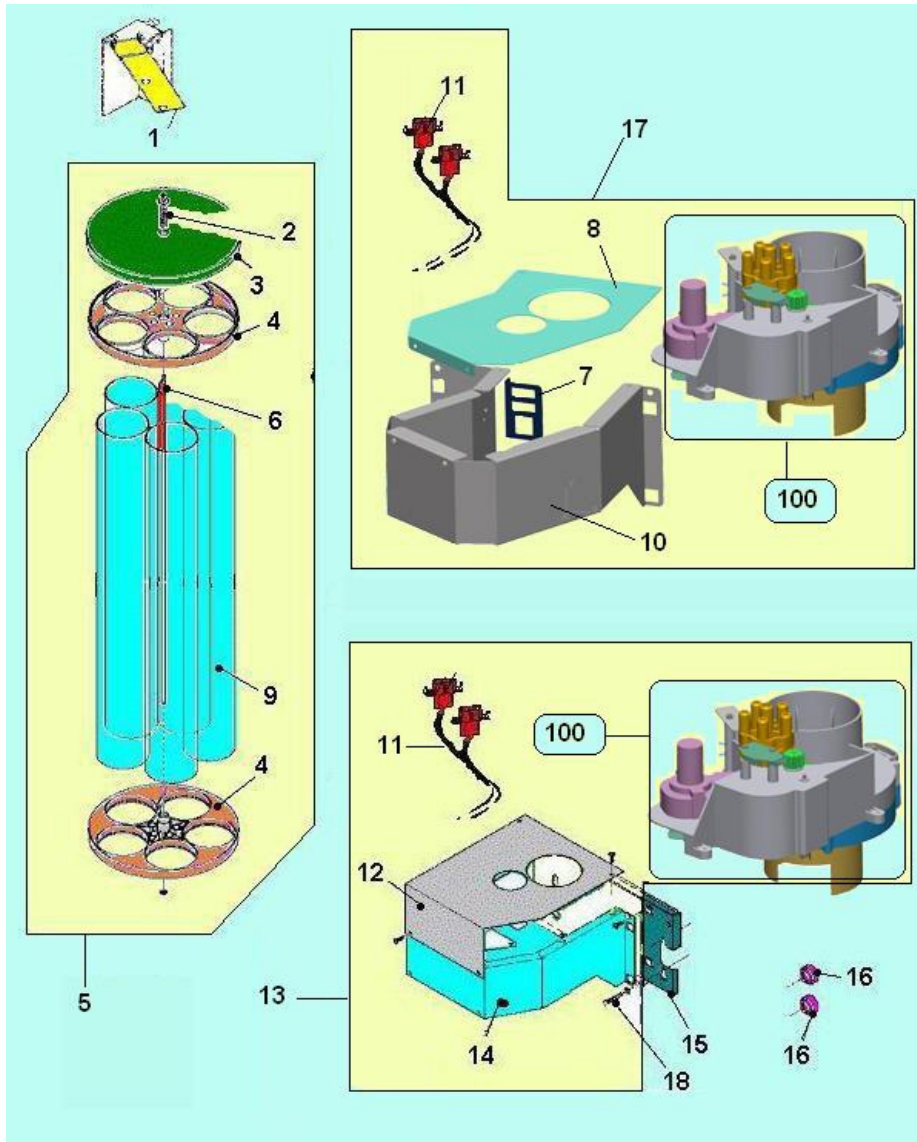
**DETAILS FOR: TAB. STIRRER DISPENSER(89)**



**DETAILS FOR: TAB. STIRRER DISPENSER(89) - Item detail:**

Position	Code	Options	Description
1	91006710		antares spoon dispenser assy 90mm
2	01801011		L=90 spoons container
3	12014911		spoons ejection shafter
4	05103915-01M37		spoon ejector brown
5	22123212		low volt.cable micro spoon disp.
6	05104915		wheel for spoons cam k
7	01592112-02		ANT. spoons dispenser frame as
8	20022016-01		24VDC 12rpm 100V gearmotor
9	05104015		ORI spoon disp.microswitch camk
10	26005126		microswitch with wheel
11	08004111		microswitch insulationr spring
12	07017211		spring for ejector spoons-971
13	01600312-01		spoon chute assembly
14	01487921		spoons ejection correction plate
15	12004611-02		Metal weight for spoons 90mm
16	01707111		spoon dispenser supportt assy

### ASSEMBLY COLUMN AND DISPENSER CUPS (80)

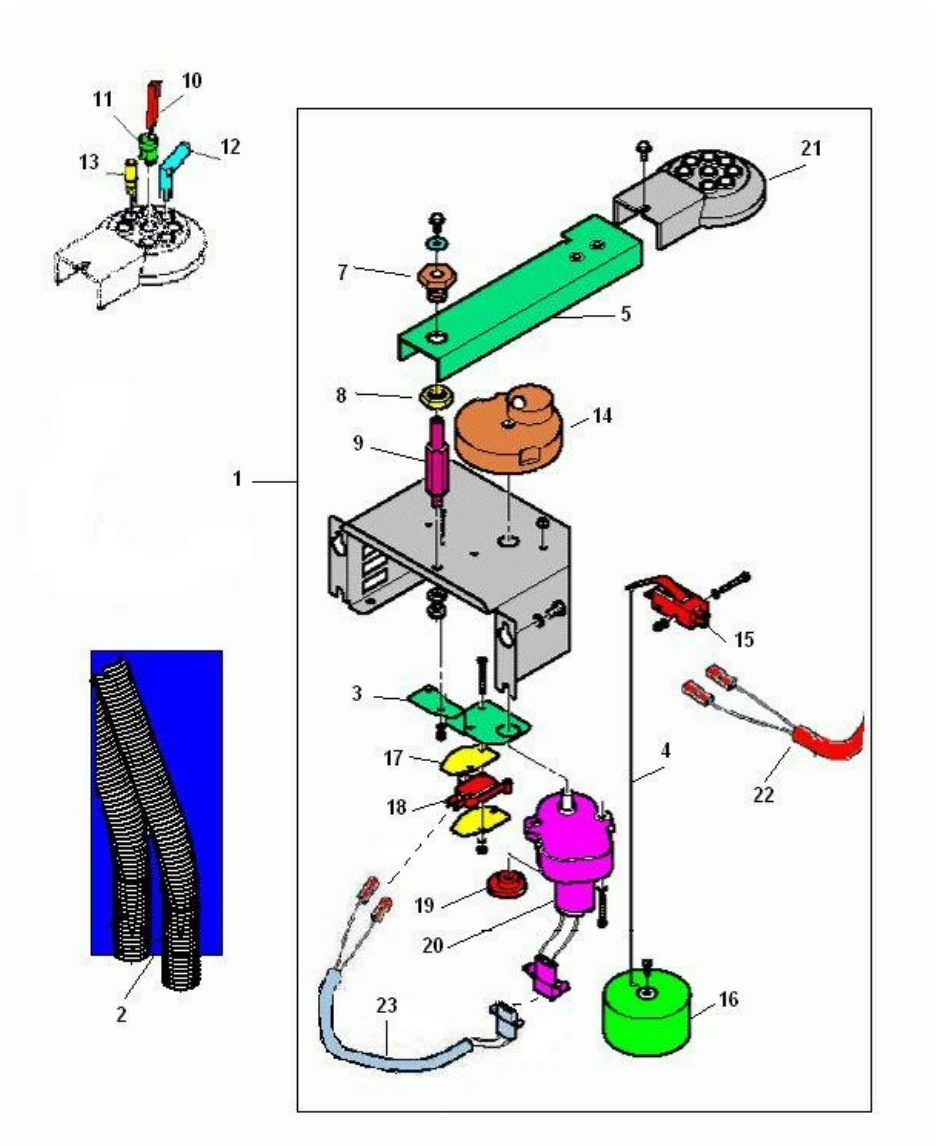




**ASSEMBLY COLUMN AND DISPENSER CUPS (80) - Item detail:**

Position	Code	Options	Description
<b>1</b>	01606711		cup turret holderphite
<b>2</b>	07020711-01		spring
<b>3</b>	05146115M09		Black cups turret lid
<b>4</b>	05135615M09		cup dispenser disk black
<b>5</b>	28006940		cups turret assembly ant.t.
<b>6</b>	19059321		Antares cups turret brace
<b>7</b>	01826811		Cup dispenser connector plate
<b>8</b>	01826721-01		Bv951 cup dispen.cover
<b>9</b>	09094121		75x77 PVC transp.pipe
<b>10</b>	01826621		BV95 cup dispenser frame
<b>11</b>	22178612		BV970IVS cup dispenser wiring
<b>12</b>	01587311-02		Cup dispencer cover
<b>13</b>	28007010-03		cup dispenser assembly
<b>14</b>	01587211-02		Cup dispencer loom
<b>15</b>	01607011-02		Cup dispencer support
<b>16</b>	19055611		cup dispenser support spacergroup
<b>17</b>	28011120-01		BV951 cup dispenser assy
<b>18</b>	32091016		5max30 te screw
<b>100</b>	1349		COMPONENTS DISPENSER CUPS (628)

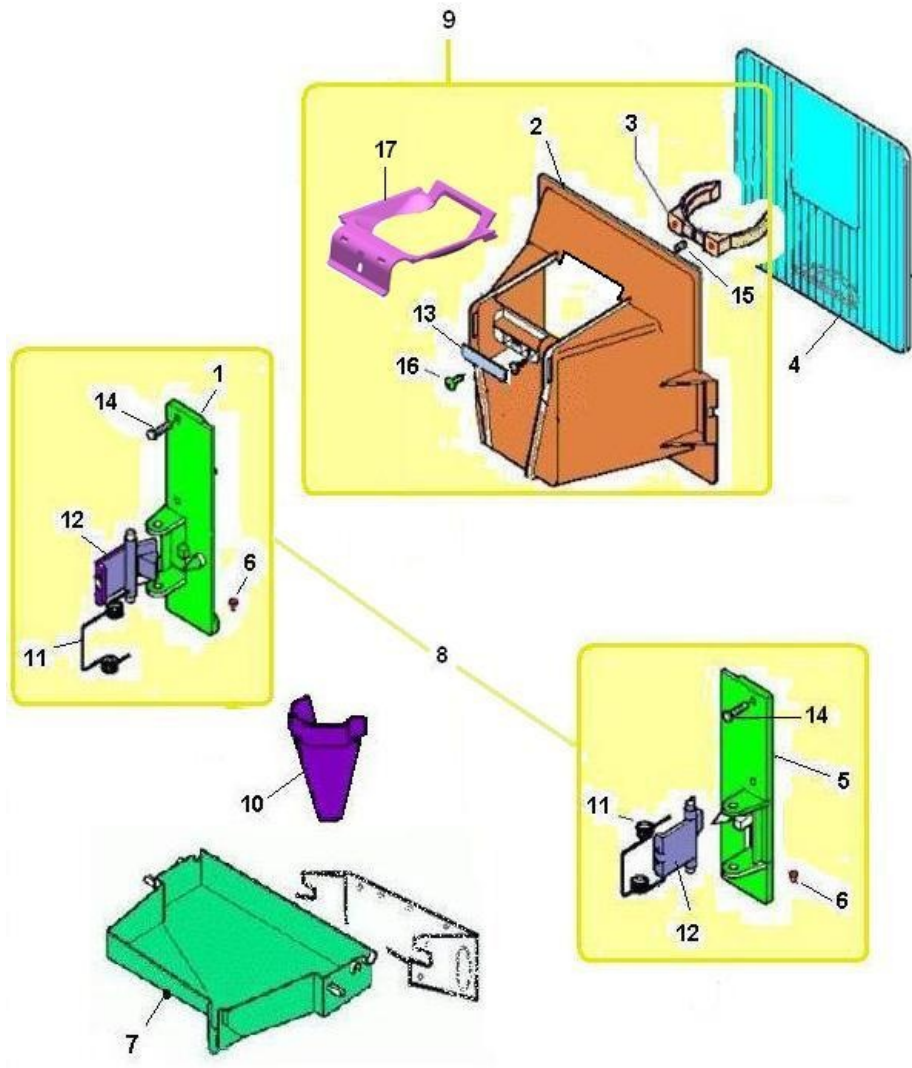
### ASSEMBLY SUPPORT NOZZLES EROGATORI (95)



**ASSEMBLY SUPPORT NOZZLES EROGATORI (95) - Item detail:**

Position	Code	Options	Description
<b>1</b>	96032720		nozzle support assy antares dek
<b>2</b>	09031113		28x33 Leviflex pipe581
<b>3</b>	01630011-01		micro supportantar.graph.
<b>5</b>	01509811-01		Antares nozzles arm support
<b>7</b>	19057411		nozzle arm bushgroup
<b>8</b>	04014111		hexagonal nut 1/4GASassy
<b>9</b>	19057311-04		Antares nozzle arm pin
<b>10</b>	05099715-01		white L=48 nozzlesy
<b>11</b>	05099615		nozzle bushsy
<b>13</b>	05096025		straight dispensing nozzlee PA66
<b>13</b>	05096035		brown straight dispensing nozzle
<b>14</b>	05089715M37		nozzle drive cam brown
<b>15</b>	26013726		too full microswitchm
<b>16</b>	05074412		floater assemblye
<b>18</b>	26005126		microswitch with wheel
<b>19</b>	05110715		orion micro camrame
<b>20</b>	20018816-01		24V 2,2nF 100V gearmotor
<b>21</b>	05089925-02M37		8 pos.nozzles supp.flange PA66
<b>22,4</b>	22130312		orion GP micro floater cableble
<b>23</b>	22111312		nozzle support cable low volt.antares

### DISPENSER BREWING (88)



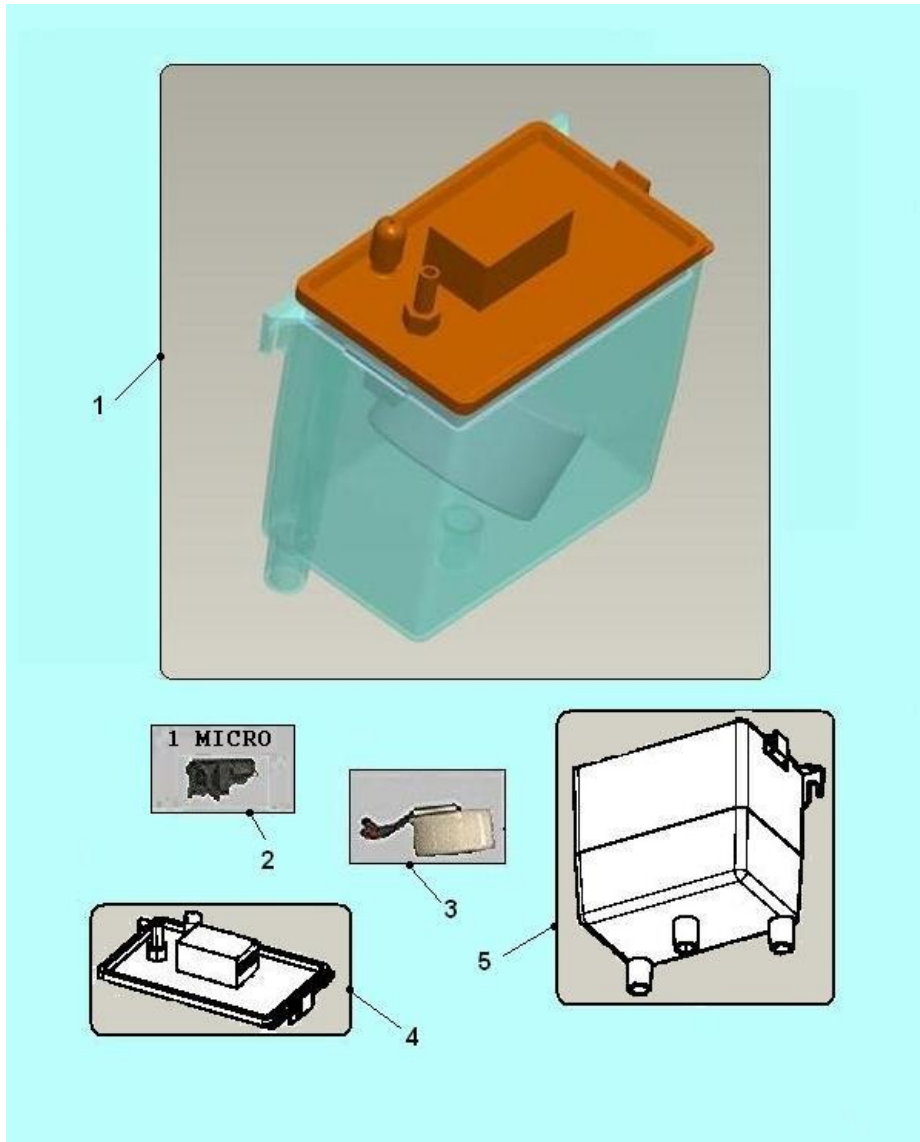
**DISPENSER BREWING (88) - Item detail:**

Position	Code	Options	Description
1	05103425-01		left cup station support blac
2	05103225-01		black cup station
3	05000315M09		black cup fork
4	05103615		cup station doork
5	05103325-01		black cup station lever suppor
6	05099116		blow-hole rubber capsy
7	05103715-02M09		drops collection tray black
8	43127110		cup station support LT/RT assy
9	05108320-01M09		black cup station
10	05103815-01		dispensing chamber funnelk
11	07017311		catch lever spring-971
12	05103525-01		black cup station lock-lever
13	05134415		delivery area platewn) C2000
14	32090516		TE5MAX16 screwank
15	32110416		5MAx10 hexagonal socket gr
16	32008726		spec.m5x15 tc screwank
17	05266315M09		Cup station protection collar

## Group charts



### WATER CONTAINER WATER 1 MICRO (784)



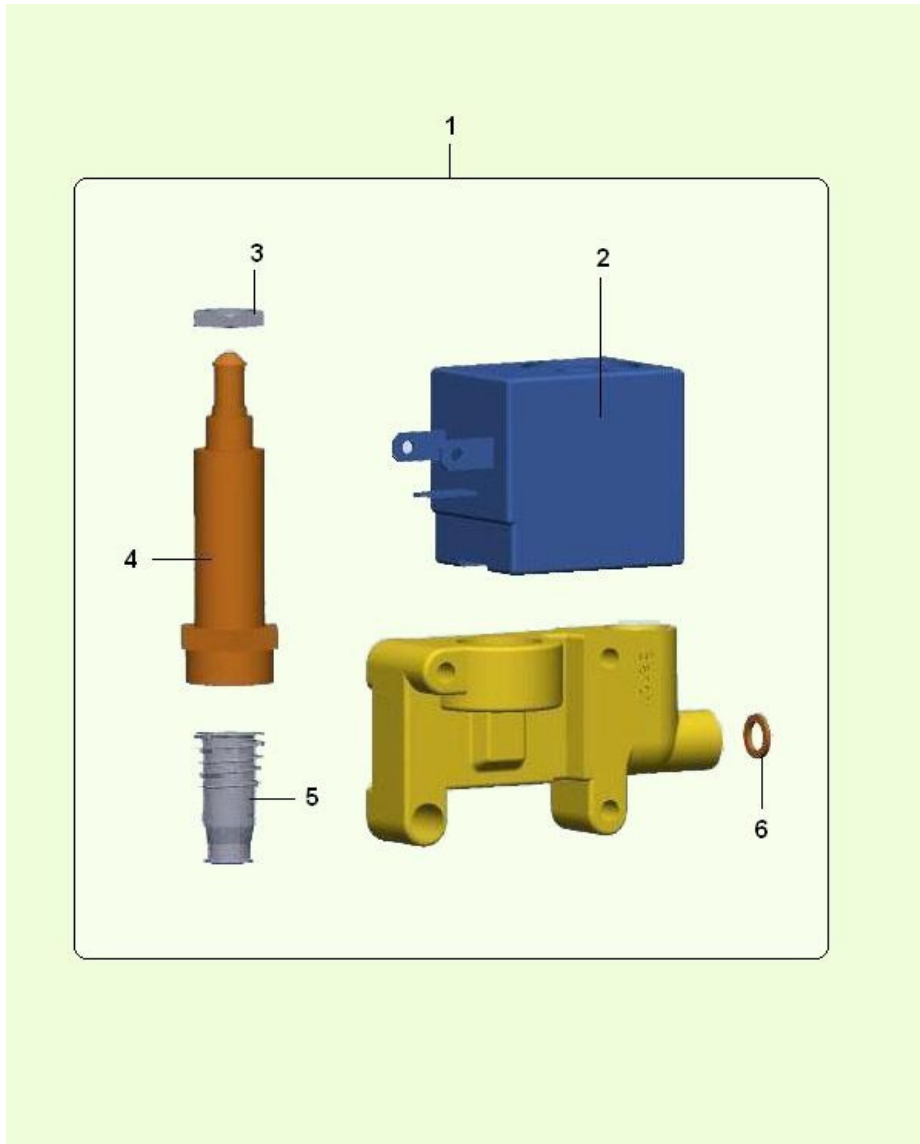
---

**WATER CONTAINER WATER 1 MICRO (784) - Item detail:**

Position	Code	Options	Description
1	93012030		air break assy w/micro SW
2	43025216		Micro SW1 plate X 9301203
3	43000916		floater+support for 93012010air-break
4	43001016-01		Water tray cover with joint
5	43001116		tank for 93012010 airbreakr-break



### COMPONENTS EL-VALV. 3 VIE OLAB (930)

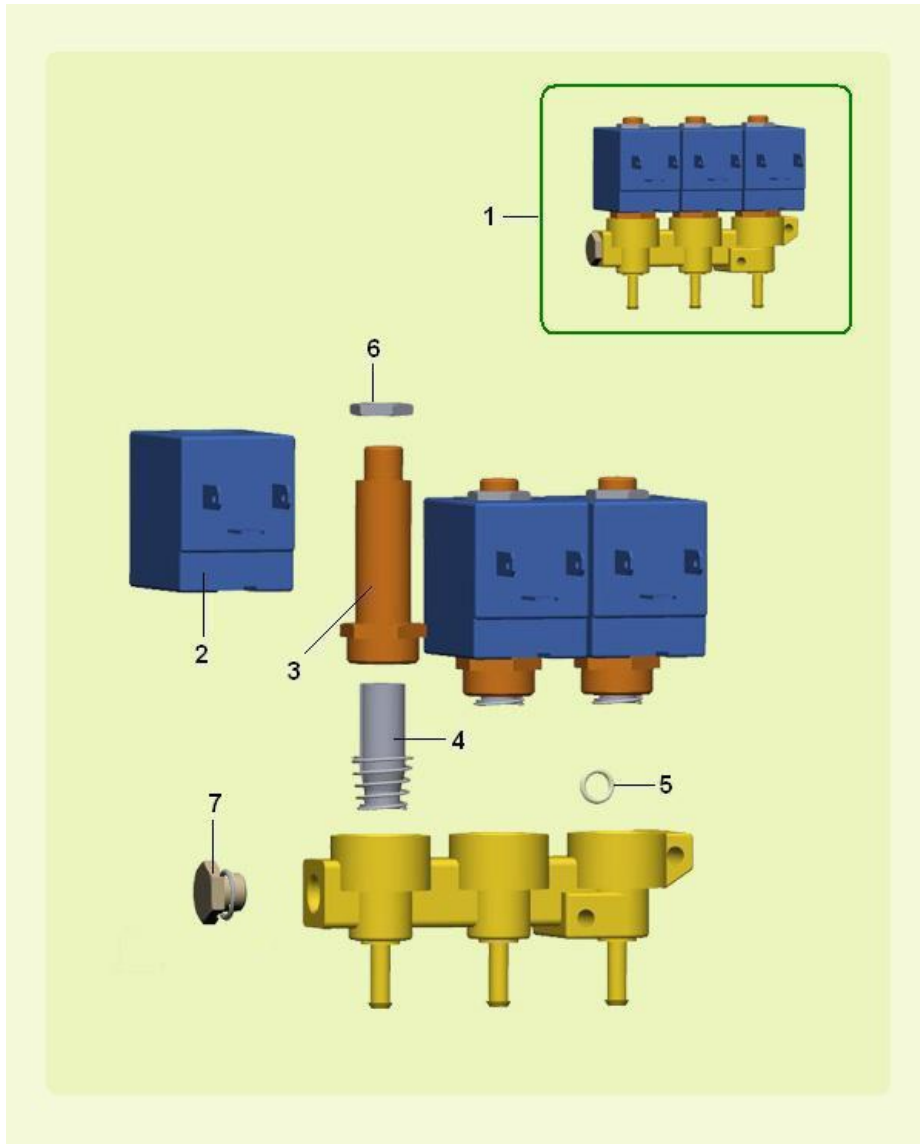


---

**COMPONENTS EL-VALV. 3 VIE OLAB (930) - Item detail:**

Position	Code	Options	Description
1	25020856		3ways elect.valve24Vdc(0-7,5b)
2	41037116		OLAB coil 3W 24VDCODE
3	43050616		Coil locking nut
4	41037516		OLAB armature tube 3WODE
5	41037416		OLAB plunger 3WODE
6	43001316		9,63x6,07 o-ring vitonr-break

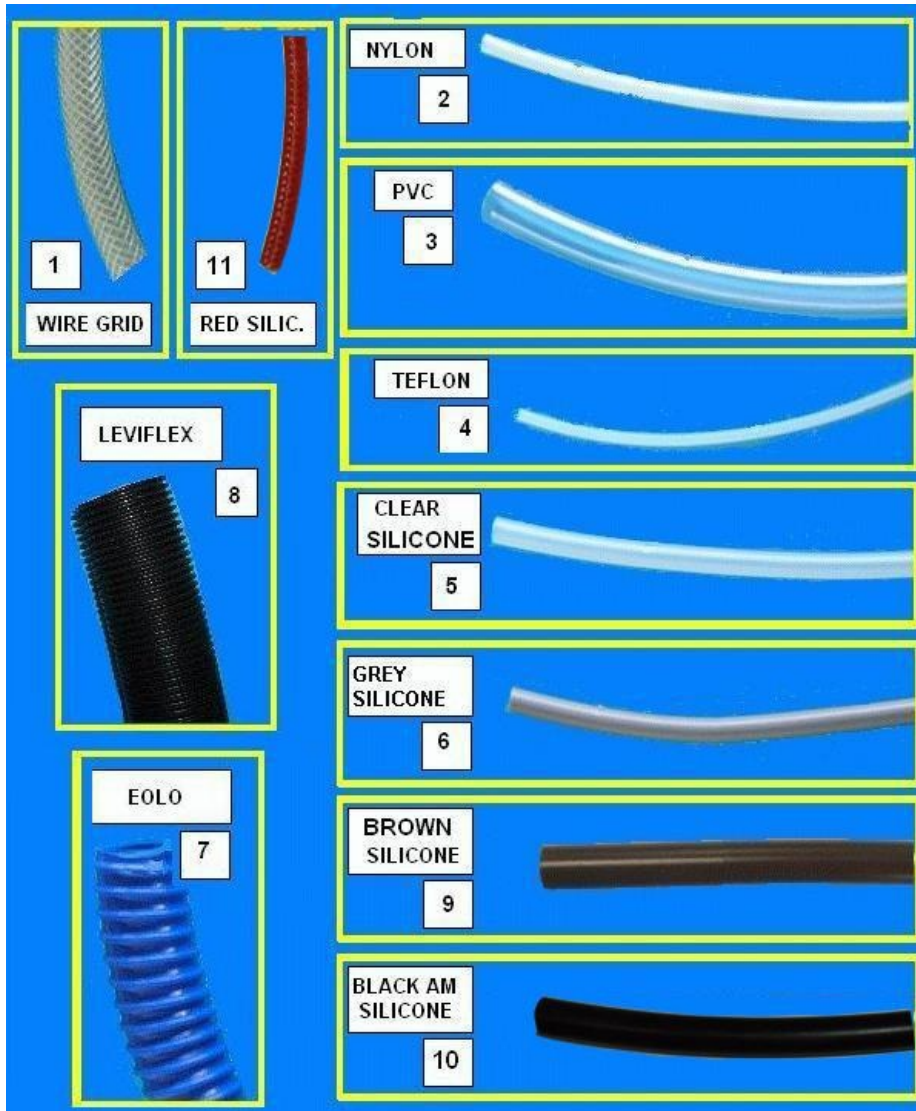
**GR 3 ELETTROV. 24V DC 2 VIE (116)**



**GR 3 ELETTR. 24V DC 2 VIE (116) - Item detail:**

Position	Code	Options	Description
1	25021516-01		24VDC group of 3EV 2ways d.2mm
2	25019416B		electrovalve coil 25019416
3	41037316		OLAB armature tube 2WODE
4	41037216		OLAB plunger 2WODE
5	43001316		9,63x6,07 o-ring vitonr-break
6	43050616		Coil locking nut
7	43031516		Threaded cap 1/8NICH.6084/2N

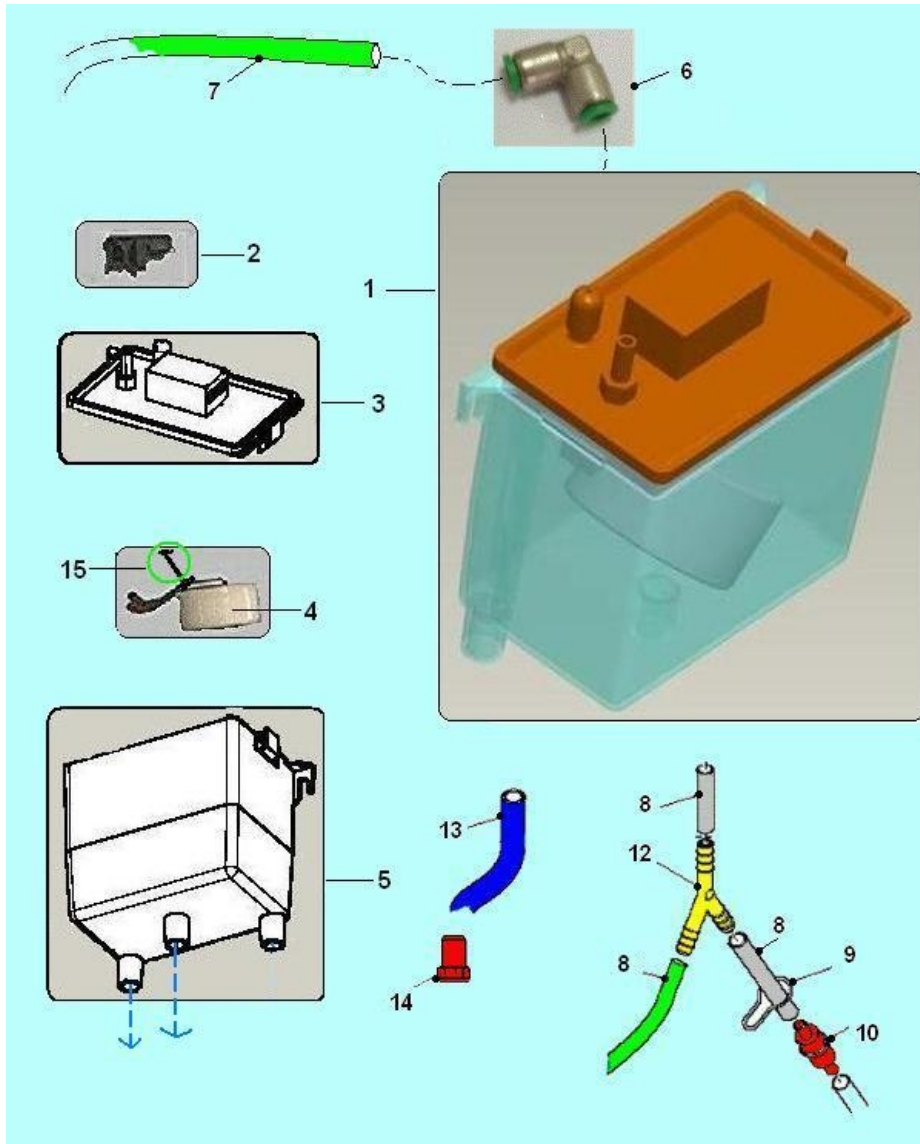
### EOLO AND HYDRO PIPES AVAILABLE (68)



**EOLo AND HYDRO PIPES AVAILABLE (68) - Item detail:**

Position	Code	Options	Description
1	09094613		10x15 pipeown
2	09009813		8x10 nylon pipe
3	09027623		12x16 L=700 PVC pipe581
3	09027663		14x18 PVC pipe581
3	09027643		14X17 PVC pipe
3	09027653		20x26 PVC pipe581
4	09085413		4x2 teflon pipe581
4	09085423		4x6 teflon pipe581
5	09029763-01		5x9 transparent silicone pipe
5	09036091		3x5 silicon transp.pipe581
5	09037141		4x6 silicone transp.pipe581
5	09029723-01		transparent 8x11 silicone pipe
5	09029753-01		8x12 silicone transp.pipe
6	09087823		grey silicon pipe 5x9581
6	09087833		grey silicon pipe 6x9
7	09092811		Sz 30x35 EOLO pipe581
8	09031113		28x33 Leviflex pipe581
8	09031133		40x46 Leviflex pipe581
9	09087823-02		brown sez silicon pipe 5x9
9	09087873-02		3x6 brown silicone pipe
9	09087843-02		7x11 brown silicone pipe
10	09087823M57		5x9 silicon pipe black am
10	09087843M57		7x11 black AM silicone pipe
11	09105713		Boiler braided tubing

### WATER CONTAINER INPUT WATER (102)

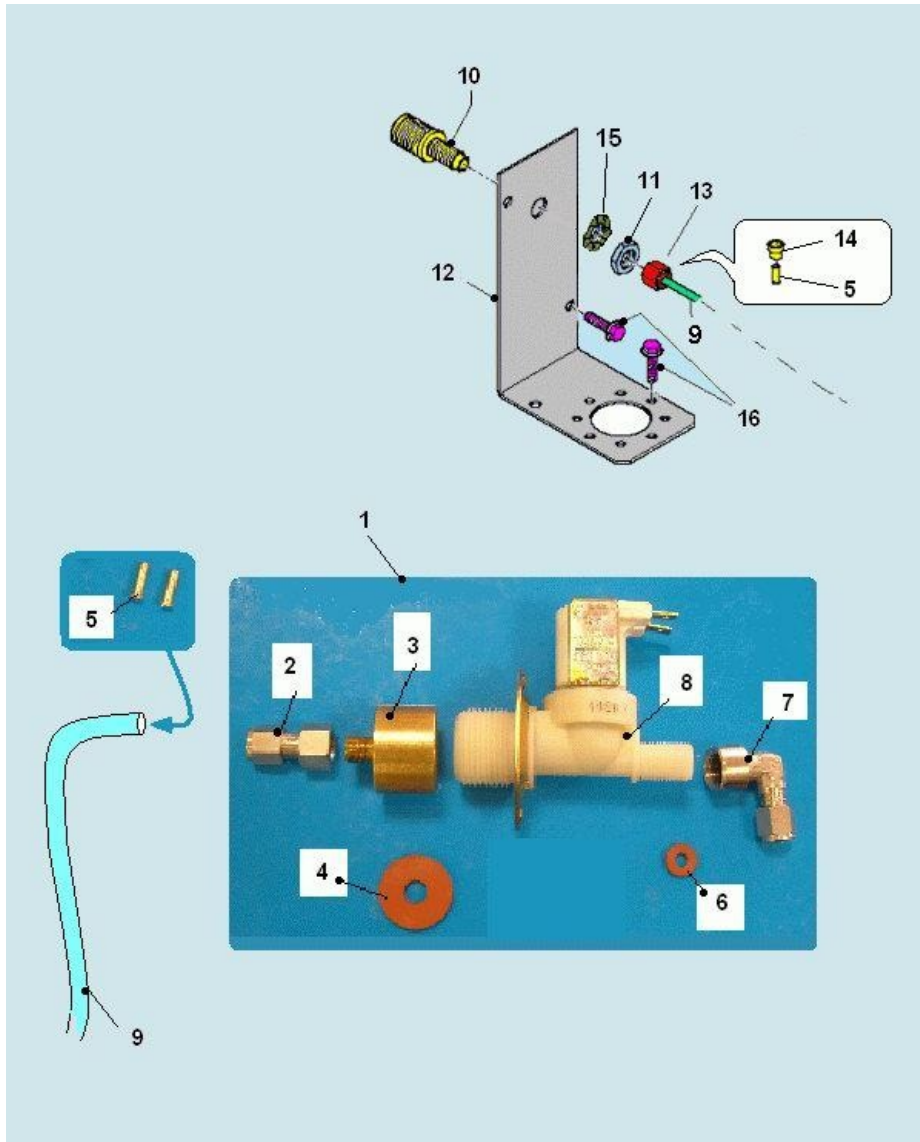


**WATER CONTAINER INPUT WATER (102) - Item detail:**

Position	Code	Options	Description
1	93012010		small water tank assymm
2	26024316		tank sensor
3	43001016-01		Water tray cover with joint
4	43000916		floater+support for 93012010air-break
5	43001116		tank for 93012010 airbreakr-break
6	04041416		quick-release connection D=64 DM7,5
7	09085423		4x6 teflon pipe581
9	07010711		clapper-971
10	16014316		water filterer
11,8	09029723-01		transparent 8x11 silicone pipe
12	05240015M00		3ways connector 9mm ext.
13	09027623		12x16 L=700 PVC pipe581
14	05036515		drain tube plugipe 8
15	43017916		cam for airbreak cod93012010B



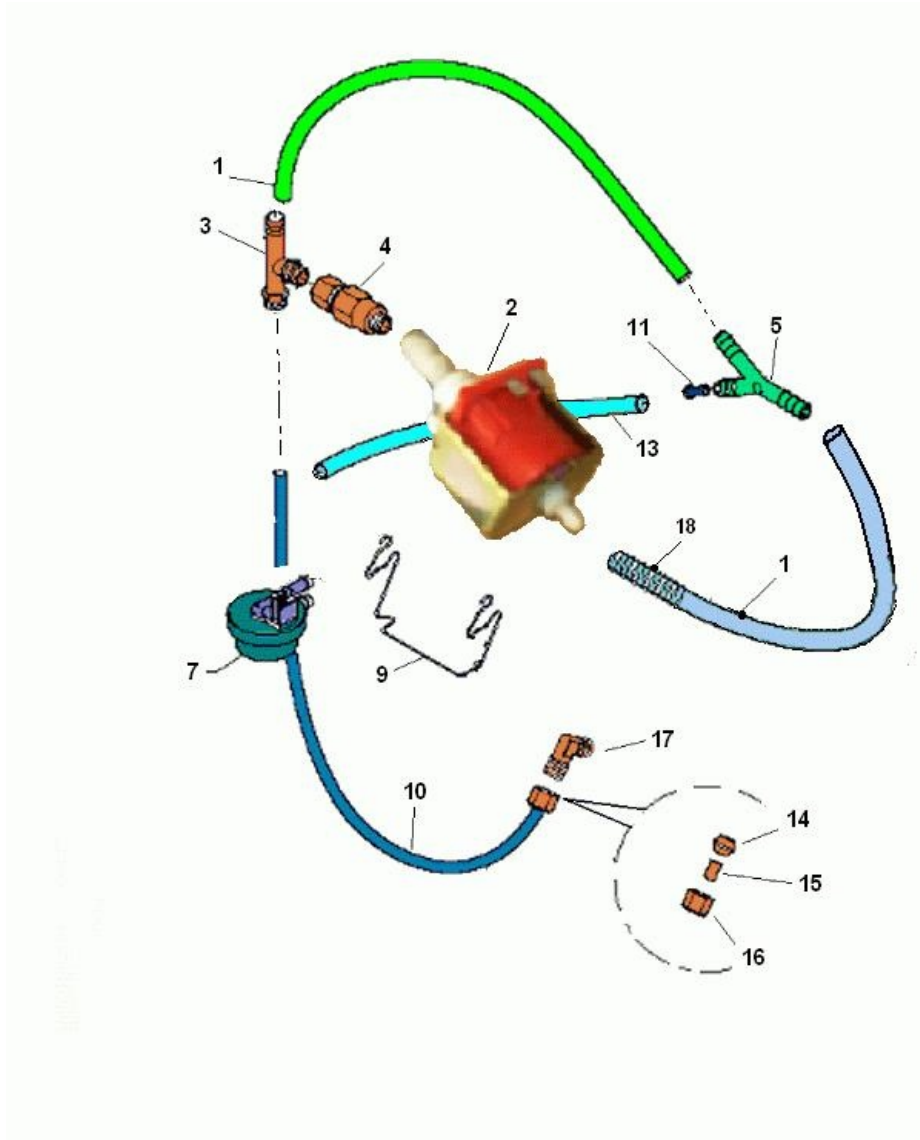
### ELECTRO-VALVE INPUT WATER (408)



**ELECTRO-VALVE INPUT WATER (408) - Item detail:**

Position	Code	Options	Description
<b>1</b>	25019180		electrovalve std. assy support
<b>2</b>	04035536		Straight female connection 1/8GAS.A234
<b>3</b>	04000131		3/4 GF 1/8 GM connectionassy
<b>4</b>	05111016		Ø 25,5 silicone plain gaskett.frame silver
<b>5</b>	19004326		reinforcing bushgroup
<b>6</b>	05111026		Silicon plain gaskett.frame silver
<b>7</b>	04036846		elbow connection4 DM7,5
<b>10</b>	04040716		1/8 - 3/8 straight connection4 DM7,5
<b>11</b>	04014131		hexagonal nut 1/8GASassy
<b>12</b>	01525111-04		OR-SI-ANT e.v. support plate
<b>13</b>	04035626		nut for elbow connectionGAS.A234
<b>14</b>	19046526		locking bushgroup
<b>15,9</b>	09085423		4x6 teflon pipe581
<b>15</b>	35160716		washerODE
<b>16</b>	32187216		three-lobe 5x8 screwank

### PUMP WATER - VOLUMETRIC (403)



**PUMP WATER - VOLUMETRIC (403) - Item detail:**

Position	Code	Options	Description
1	09029763-01		5x9 transparent silicone pipe
2	27003316		EX5 230V-50Hz Ulka electropumpy-pass
3	04040916-01		11BAR PRO SAFETY VALVE
4	04041016		anti return valve male/female4 DM7,5
5	05240015M00		3ways connector 9mm ext.
7	24012116		flow sensorer
9	07016416-01		pump support
10	09085423		4x6 teflon pipe581
11	05102215		reductionsy
11	05102225		brown mixing chambersy
13	09087823-02		brown sez silicon pipe 5x9
14	19046526		locking bushgroup
15	19004326		reinforcing bushgroup
16	04035626		nut for elbow connectionGAS.A234
17	04034616		turning elbow connection
18	07017711		tea serpent. spring-971

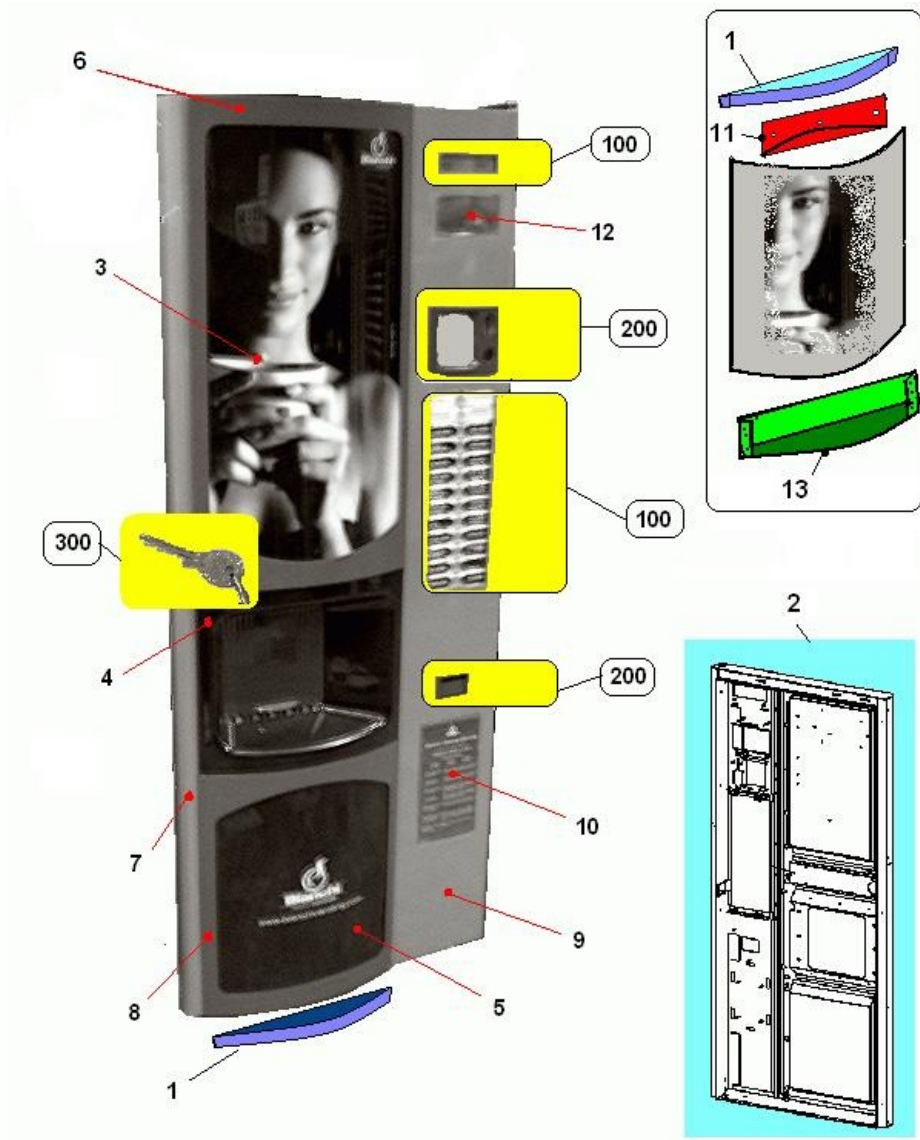
## Group charts

 **BVM 951 - Free Standing**  
 **BV951IN01GG - BVM951 I6S GRAF.**

## Group charts



### FRONT DOOR (384)

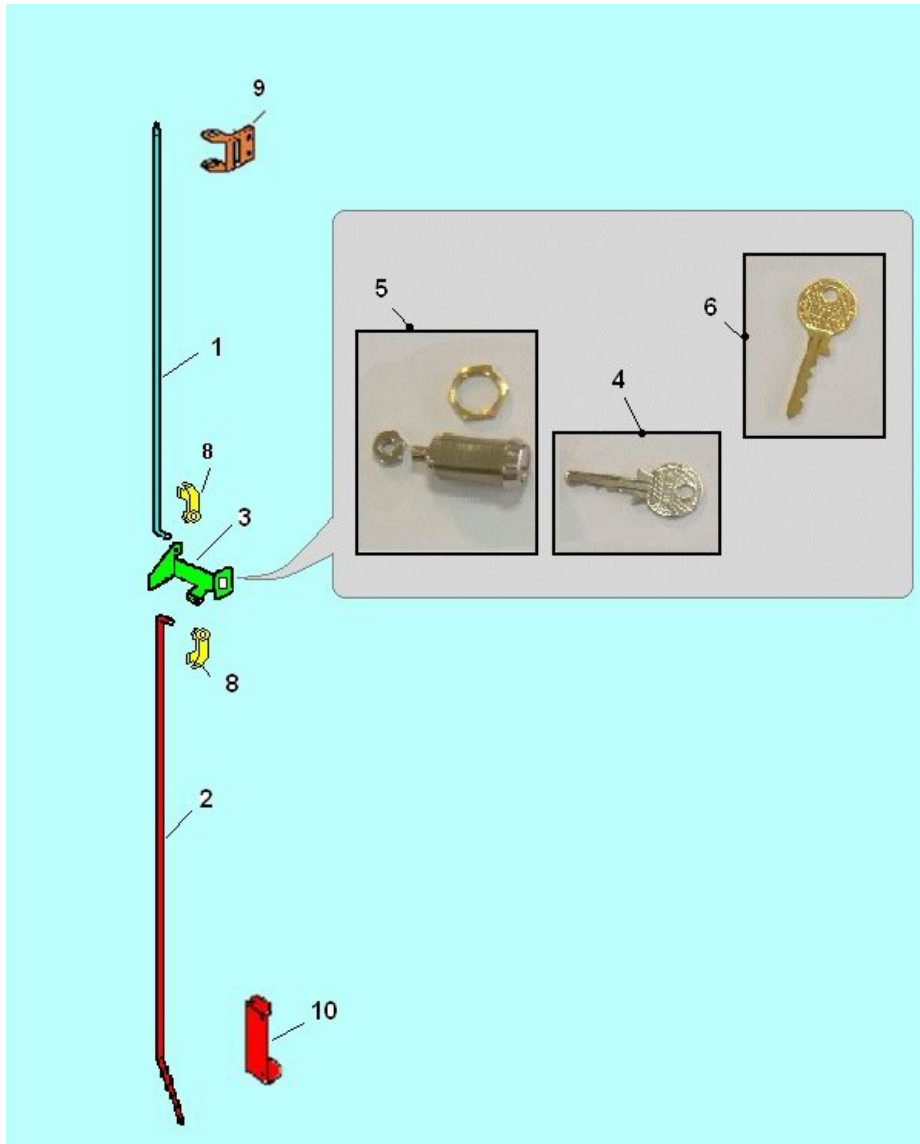


**FRONT DOOR (384) - Item detail:**

Position	Code	Options	Description
<b>2</b>	01784312-03L30		Door loom BV951 grap. Assy
<b>3</b>	05232011		upper serigr. lexanmotor
<b>4</b>	05231915M09		black cup station window holemotor
<b>5</b>	05232111		lower serigr. lexanmotor
<b>6</b>	01785311L30		higher lexan frame graphite)
<b>7</b>	01786411P54		Inox lock side covers rest.
<b>8</b>	01785711L30		GRAPHITE LOWER LEXAN FRAMEite
<b>9</b>	01786511P54		Inox hinge side covers rest.
<b>10</b>	05232625M00		transp.info panel h=230 BVM951-971
<b>11</b>	01804811		Lexan fixing plate
<b>12</b>	05233715M00		transp.info upper panel BVM951-971
<b>13</b>	01785511-02L30		Graph.base for upp.lexan frame
<b>100</b>	968		KEYBOARD - DISPLAY (390)
<b>200</b>	768		INSERT AND CHANNEL COIN - CHANGE GIVER (391)
<b>300</b>	635		DOOR LOCK (400)



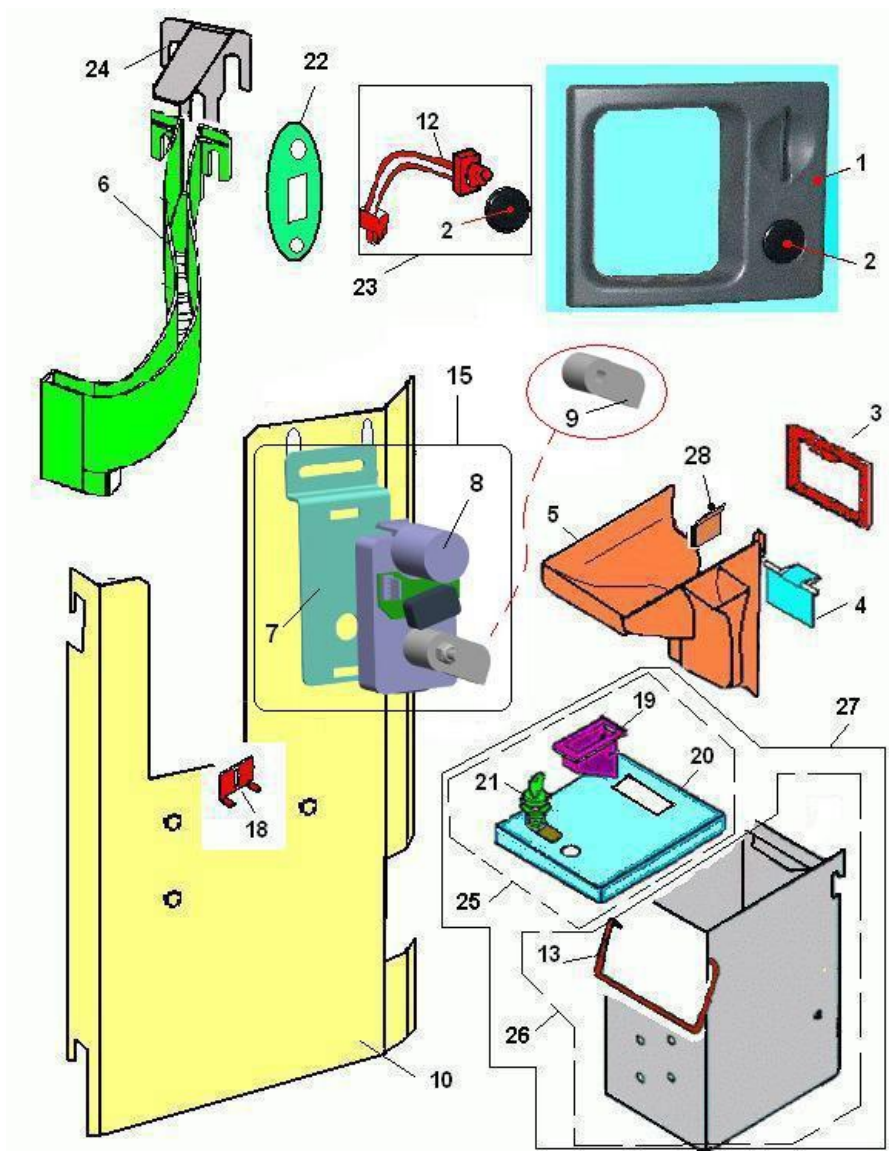
### DOOR LOCK (400)



**DOOR LOCK (400) - Item detail:**

Position	Code	Options	Description
1	12011461		upper lock rod for antaresown
2	12017011		lower lock rod antareser
3	01786311		lock lever 2 rods BVM 951s rest.
4	41029836		Rielda's lock key EMK handle
5	41029616		Rielda standard lockODE
6	43001726		Emka unblock-key
8	07014116		clip connection-971
9	01522611-01		upper stirrup for antares lockack
10	01532911		lower rod plate antaresort

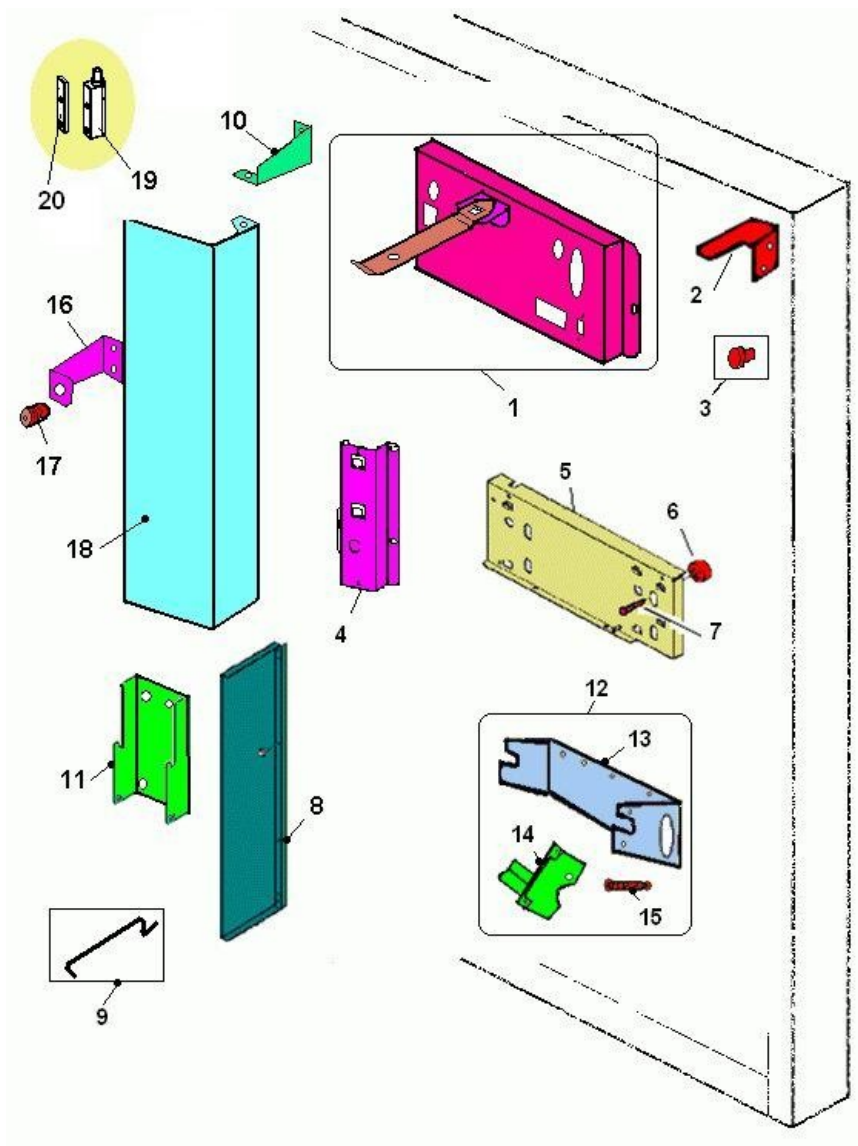
### INSERT AND CHANNEL COIN - CHANGE GIVER (391)



**INSERT AND CHANNEL COIN - CHANGE GIVER (391) - Item detail:**

Position	Code	Options	Description
1	05232215M30		coin introd+m/s frame graphitemotor
2	05232315M09		black changegiver buttonmotor
3	05246715M09		coin recovery frame black
4	05083115-01M09		coin recovery door - black
5	05233615-01M09		coin recovery channel black
6	05233515M09		Coin Introduction slide black
8	20031216-01		changegiver gearmotor
9	05192815-02M78		Grey changegiver cam
10	01800312		Coin mech support assy1
12	26019492		changegiver buttonm
13	12028011		coin box handleer
15	96065520		coin return motor assembly
18	01214411		coin mechanism fixing plate
19	05006315M37		Brown coin box filler IVS
20	01798011-01		coin box cover
21	21011416		quick lock)plsCAM
22	01796011		button support plates rest.
23	43018810		change-giver button with cap assembly
24	01807111		coin slide roofle
26	43024710		Coin box assy w/handle
27	96056320-01		coin box assy BVM
28	05118241		pipe protection profileeet Vega

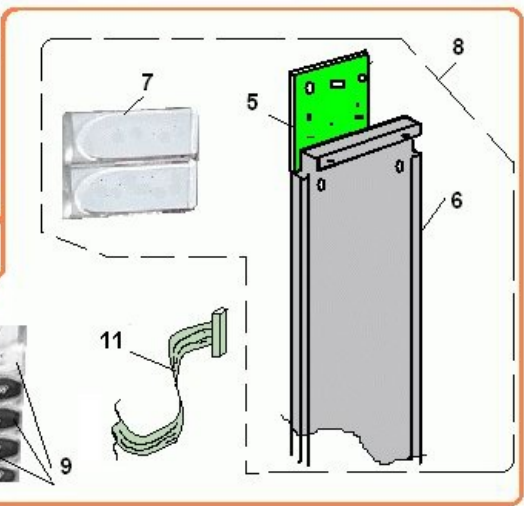
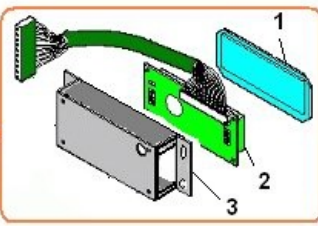
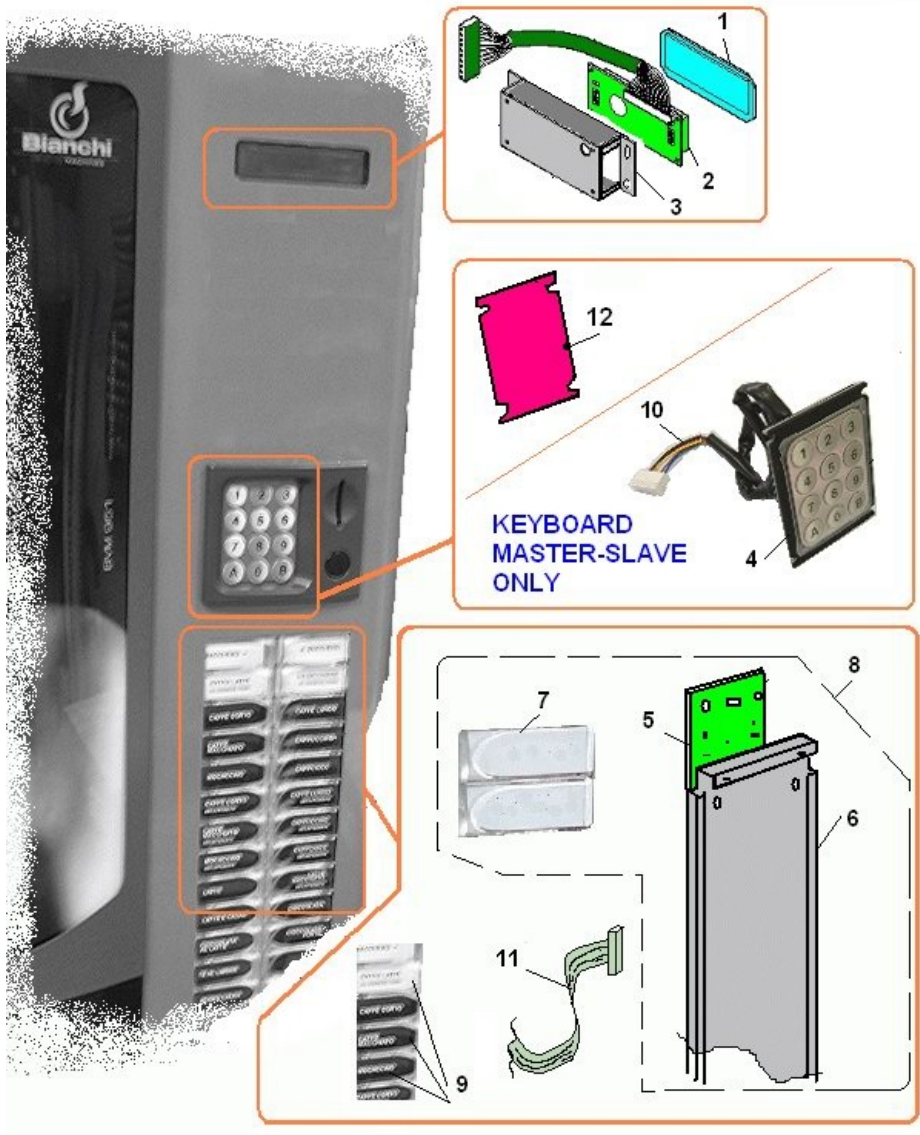
### INNER DOOR (394)



**INNER DOOR (394) - Item detail:**

Position	Code	Options	Description
2	01510511		Antares safety switch support
3	00104883		rubber buffer
4	01790011		Spoon dispenser support
5	01607011-02		Cup dispencer support
6	19055611		cup dispenser support spacergroup
7	32091016		5max30 te screw
8	01808611-01		Protection panel coin box
9	12015811		door roder
10	01813611		Cover pin support plate
11	01793211		Coin box supports rest.
12	01525010		drop tray with lever for antares
13	01452011-02		Dispensing chamber tanksupport
14	01524511		drop tray levert
15	07012411		coin channel spring-971
16	01813511		Cover magnet plate
17	20022316		Cup container door round magnet
18	01813712		Pay system cover assy
19	21011042		BV971 IVS hinge guide assy
20	01859411		BV9 hinge spacer plate

### KEYBOARD - DISPLAY (390)



**KEYBOARD - DISPLAY (390) - Item detail:**

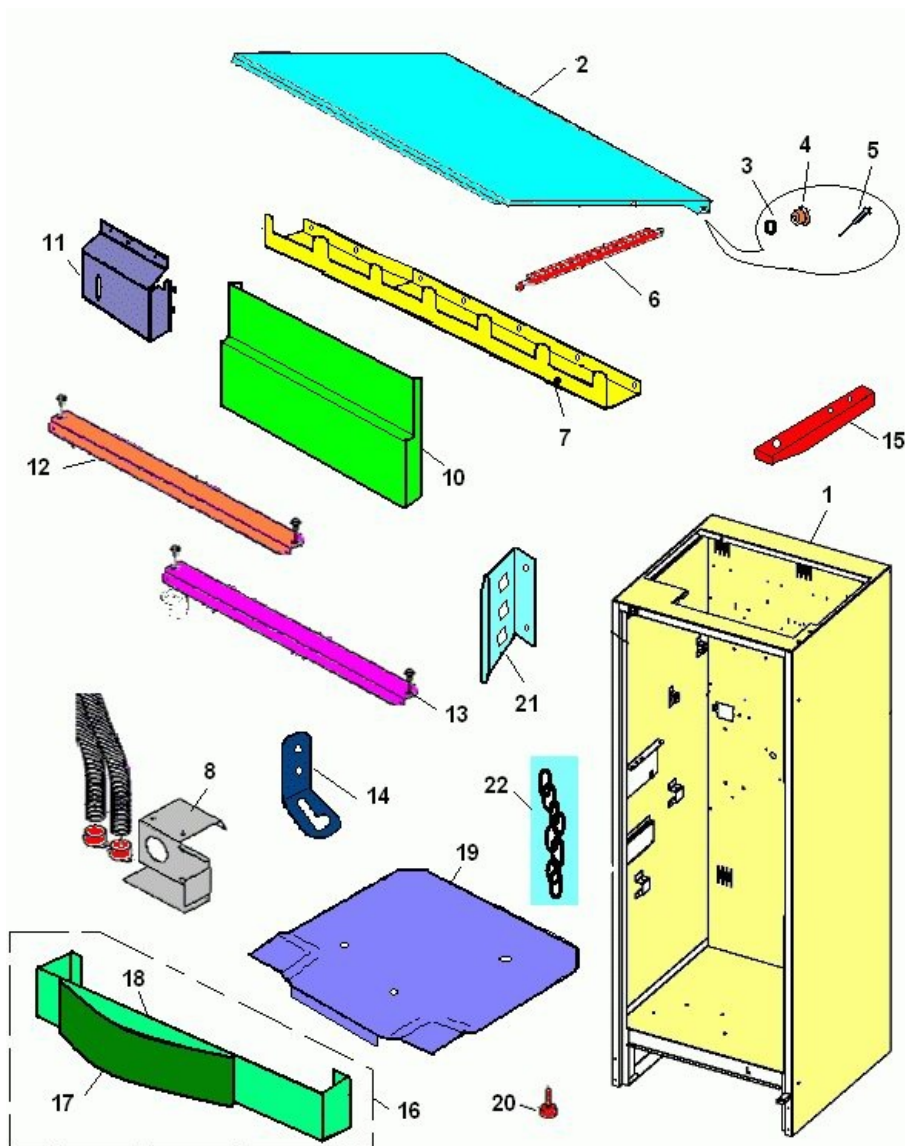
Position	Code	Options	Description
1	05232515M00		display transp.protectionmotor
2	26047916-02		New display 16x2 w/cable 650mm
3	01793011-01		Display support plate
4	30100926		M/S metal keypad A/Bures
5	26048016		BVM951/971 keypad boardn assy
6	01795112-01		Keypad plate assy
7	05232415M00		selection buttonmotor
8	26048220-01		keypad assy (BVM952)
9	30262831		BV95/972 Italian DK NA label
10	22170812		flat cable (A/B metal keypad)vega
11	22175422		16pins flat cable 900mmable



## Group charts



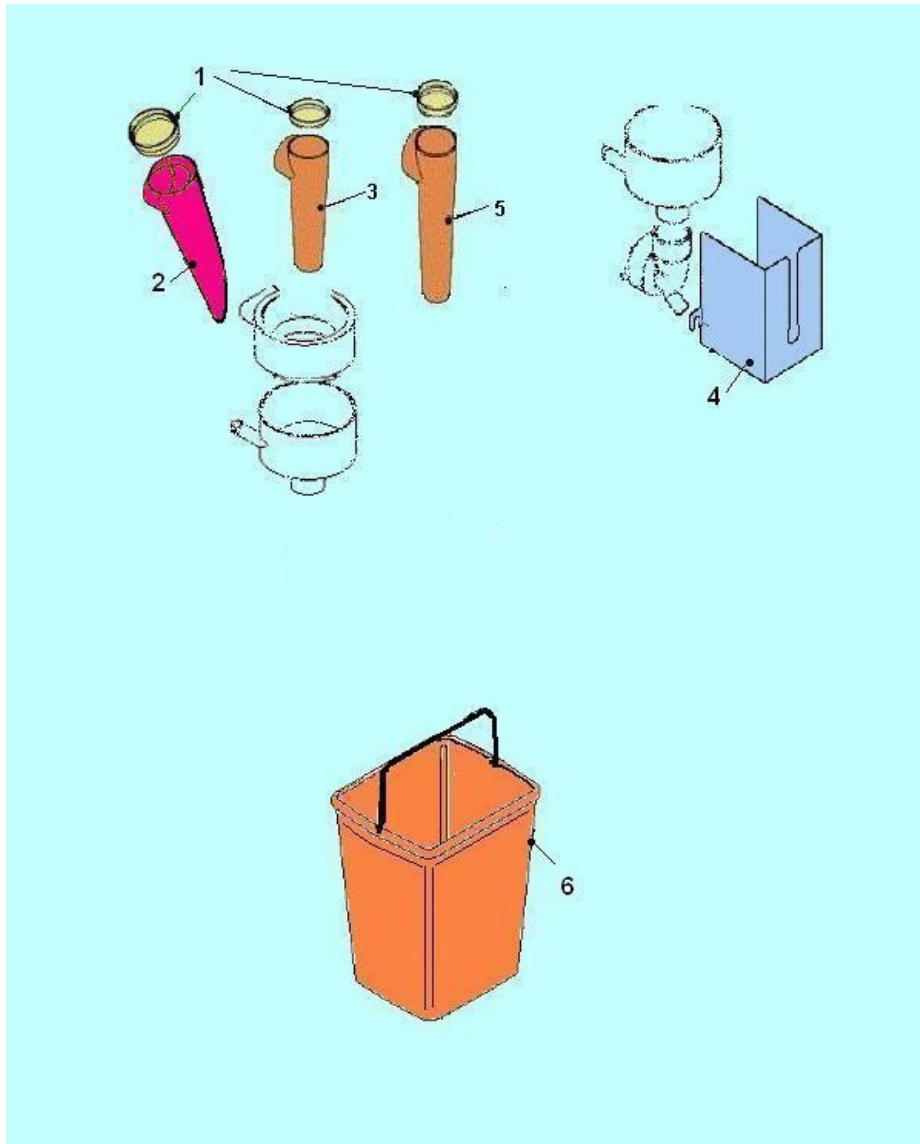
### CABINET AND COMPONENTS (521)



**CABINET AND COMPONENTS (521) - Item detail:**

Position	Code	Options	Description
1	01799322L30		BV951 E-S-F graph.cabinet assy
2	01661612L30		ANT.DEC Graph.door assyer
3	05158215		rivet bush 14*75y grate(graph.)
4	19054411		rivet bushgroup
5	33050126		3.2x8 rivetODE
6	01661711		Antares dec. door support rod
7	01669011		Antares I6S 6 canisters supp.
8	01659721		Inst. Antares aspirator supp.
11	01668811		Water tank cover
12	01660511-02		Antares dec. upper crossbar
13	01660811-01		TRAVERSA INFER.ANT-DEC.
14	01675511-01		Drain pipe guide (antar)sirio graph.
15	12013711		plate for threaded hingeer
16	01788512-01		BVM951 skirting board assy
17	01788711-01L30		Skirting Board carter Graphites rest.
18	01788611-01P54		BVM951 skirting board assy
19	01787311-01		STD Antares bottom protection
20	21057222		foot assy (M8x40) - BVM971
21	01799811		Connectors support plate BVM951
22	19048161		chain L.250 (n. 19 links)

### PARTS OF COMPLETION (694)



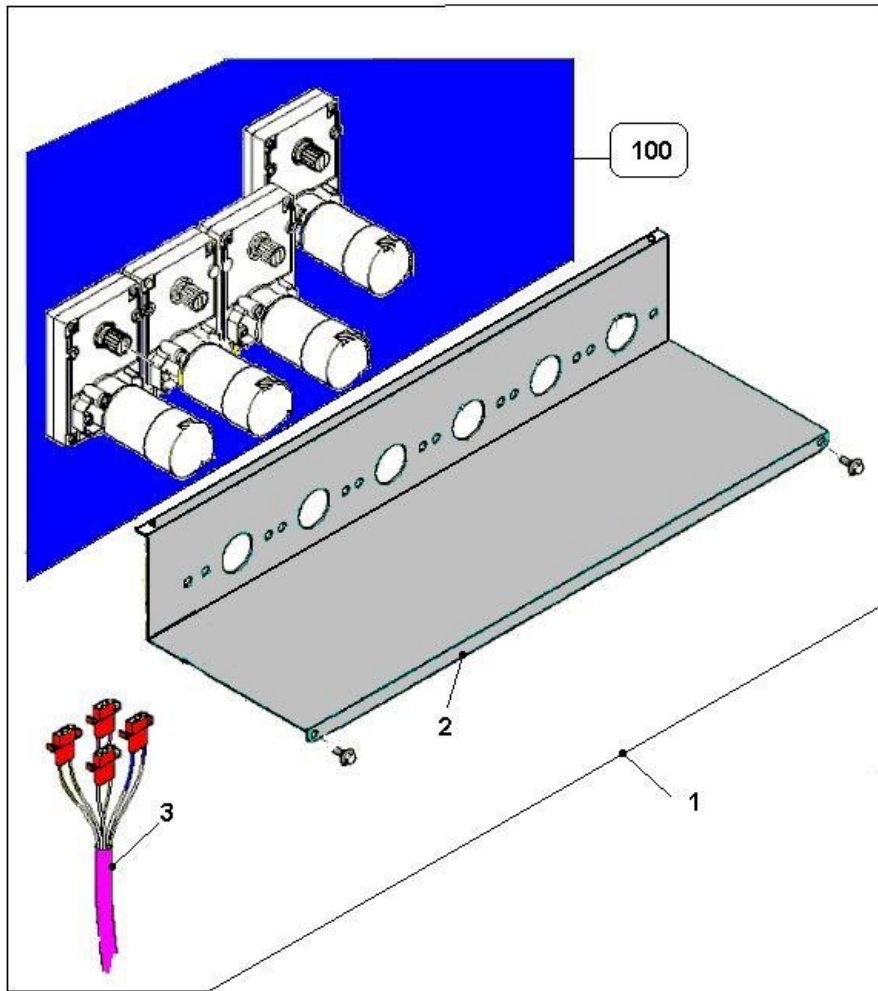
**PARTS OF COMPLETION (694) - Item detail:**

Position	Code	Options	Description
1	05160415-02M37		powder funnel cap brown
2	05160625		brown left powder funnel
3	05160645		brown straight short powder funnel
4	01601111-03		heating chamber coversy
5	05160615		brown straight long powder funnel
6	05137316		bucketle

## Group charts



### ASSEMBLY SUPPORT GEARMOTOR (518)

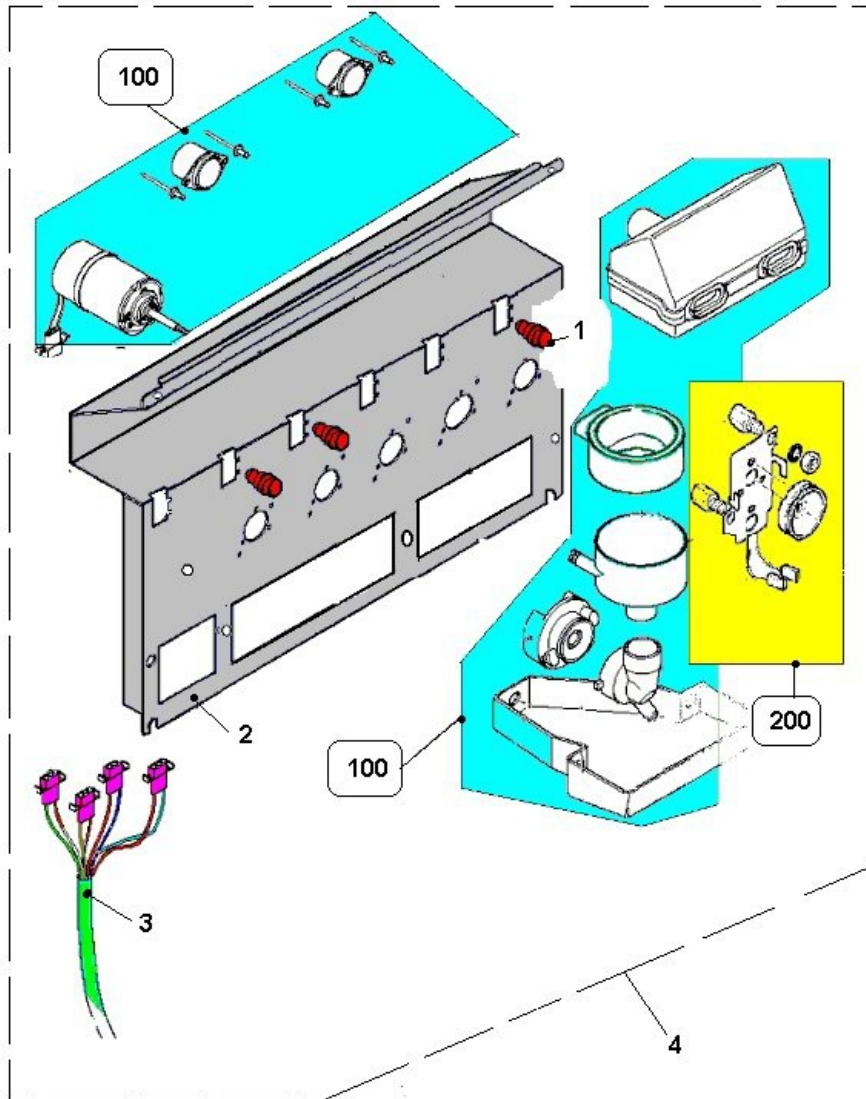


**ASSEMBLY SUPPORT GEARMOTOR (518) - Item detail:**

Position	Code	Options	Description
<b>1</b>	96055020-01		ANT.I6S BVM951 motor supp. as.
<b>2</b>	01668711		Canisters support plate
<b>3</b>	22173112		bvm950gearmotors cablele
<b>100</b>	810		GEARMOTORS (401)



### ASSEMBLY SUPPORT GROUP MIXERS (519)

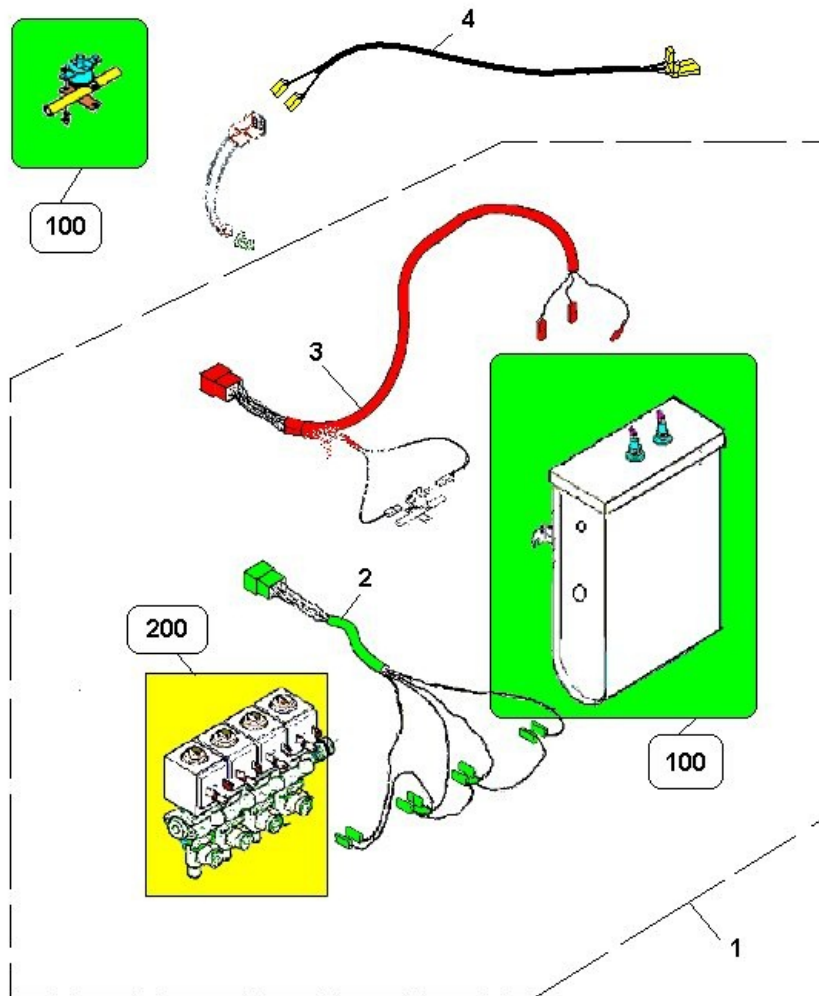


---

**ASSEMBLY SUPPORT GROUP MIXERS (519) - Item detail:**

Position	Code	Options	Description
<b>1</b>	05088925		brown rubber holder connection10
<b>2</b>	01677411-01		mixer supp.plate
<b>3</b>	22173212		bvm950mixer cablele
<b>4</b>	96055820		BVM951Inst mixer support assygs)SirFB
<b>100</b>	807		COMPONENTS FOR MIXERS (405)
<b>200</b>	808		MIXERS - CHAMBER HEATED

### ASSEMBLY GROUP DROP BOILER - INSTANT PRODUCTS (520)

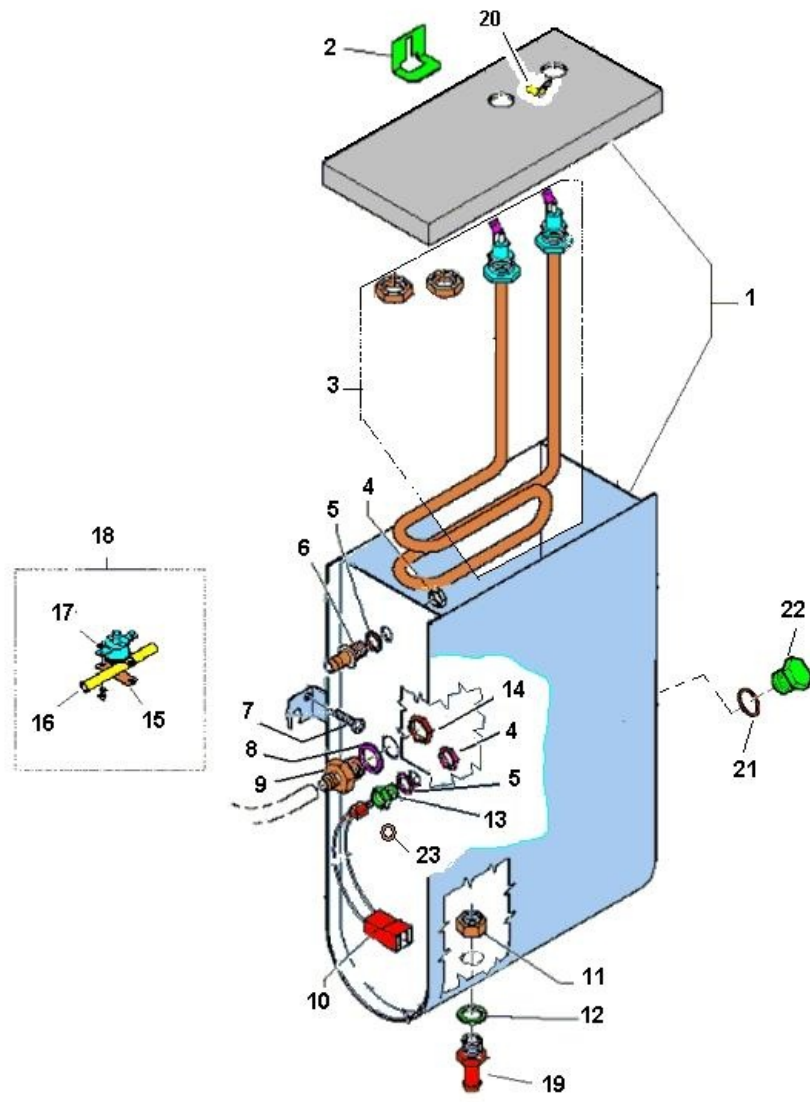


---

**ASSEMBLY GROUP DROP BOILER - INSTANT PRODUCTS (520) - Item detail:**

Position	Code	Options	Description
<b>1</b>	87009420		BVM951 instant boiler assy (4ev)
<b>2</b>	22173312		bvm950electrovalves cablele
<b>3</b>	22173512		bvm950 inst.boiler cablele
<b>4</b>	22172512		bvm970 probe cablele
<b>100</b>	94		BOILER FOR DROP INSTANT PRODUCTS (49)
<b>200</b>	174		SOLENOIDS GROUPS - ODE - 24V_DC_ 2 VIE_POLYSULFONE (21)

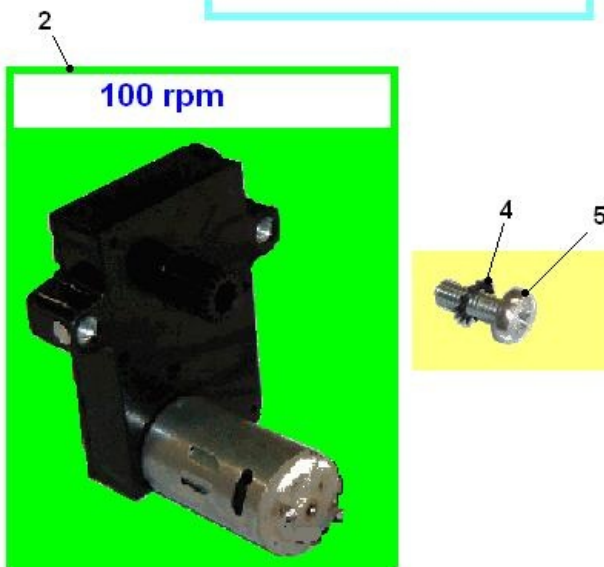
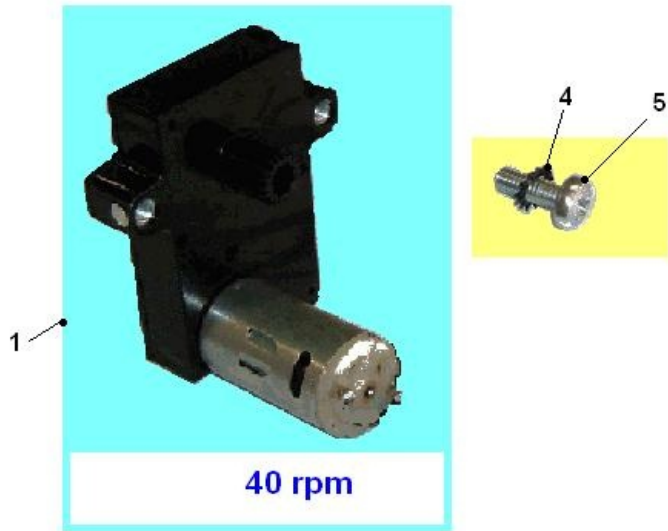
### BOILER FOR DROP INSTANT PRODUCTS (49)



**BOILER FOR DROP INSTANT PRODUCTS (49) - Item detail:**

Position	Code	Options	Description
1	01854012-01		BV921 boiler box cover assy
1	43112212		BV921 boiler box cover assy
2	01463211-01		instant boiler cover fixing plate
3	29003932		2000W heating elementt.
4	04014131		hexagonal nut 1/8GASassy
5	18002516		copper gasket
6	04037511		straight connection 4 DM7,5
7	32060616		4MAx12 screw
8	18002536		3/8" copper gasketer
9	04040516		3/8" rubber holder connection4 DM7,5
10	26020612		NTC sensor 100k assemblym
11	04033411		1/4" nutassy
12	18002526		1/4" copper gasketer
13	04040111-01		nut for instant boiler probe4 DM7,5
14	04005311		3/8" nutassy
15	01213411		clixon plate
16	09078221-01		CLIXON PIPE
17	25014936-01		clixon75°Crubber holder
18	25019620		clixon tube assy - 75°
19	04031311-01		boiler connectionassy
20	23020626		male tab
21	36202716		gasket 20500DE
22	04037136		3/8 male blind plug4 DM7,5
23	18002616		copper washerer

## GEARMOTORS (401)

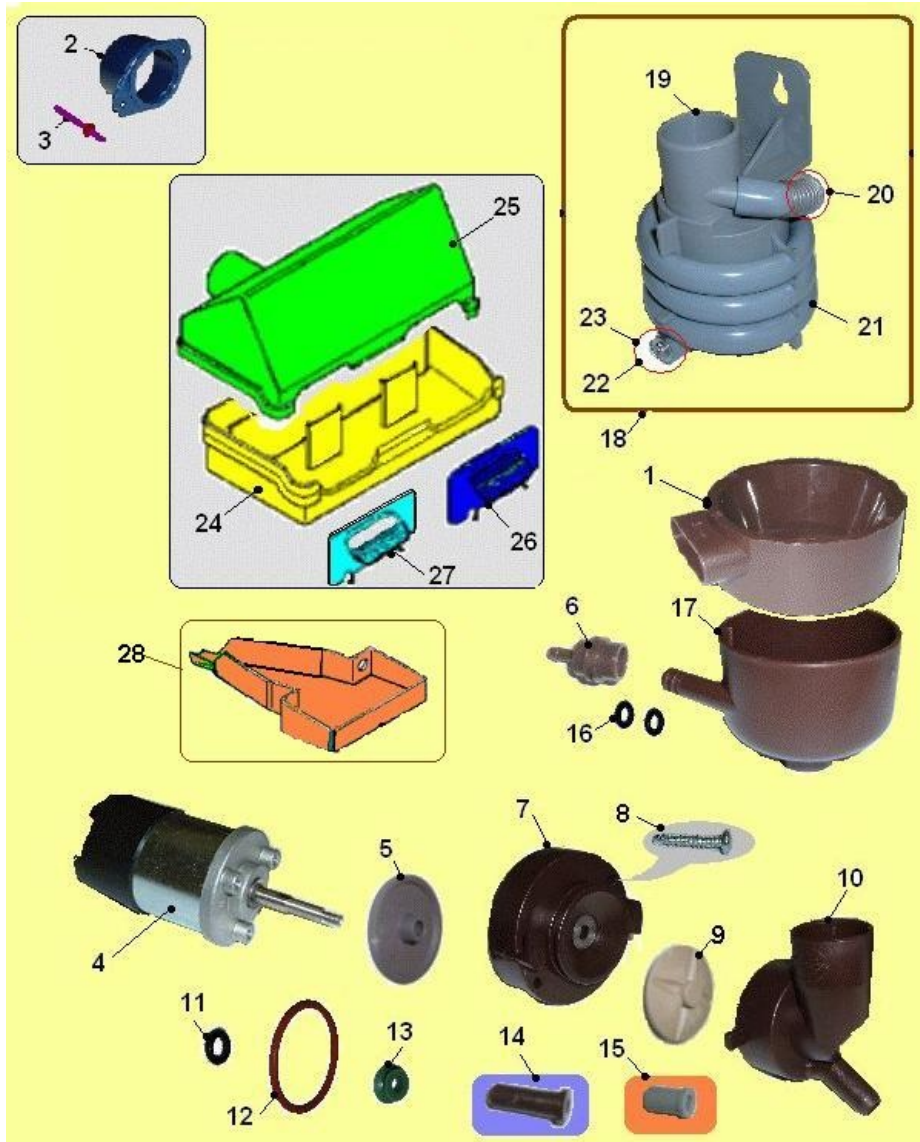


**GEARMOTORS (401) - Item detail:**

Position	Code	Options	Description
1	20016916-02		MOT.24VDC 40G/M w/outPLS.CABL.
2	20017016-02		100 rpm 24V DC gearmotor w/o cable
4	35160516		6.2 self-locking washer
5	32130616		6MAx16 screw



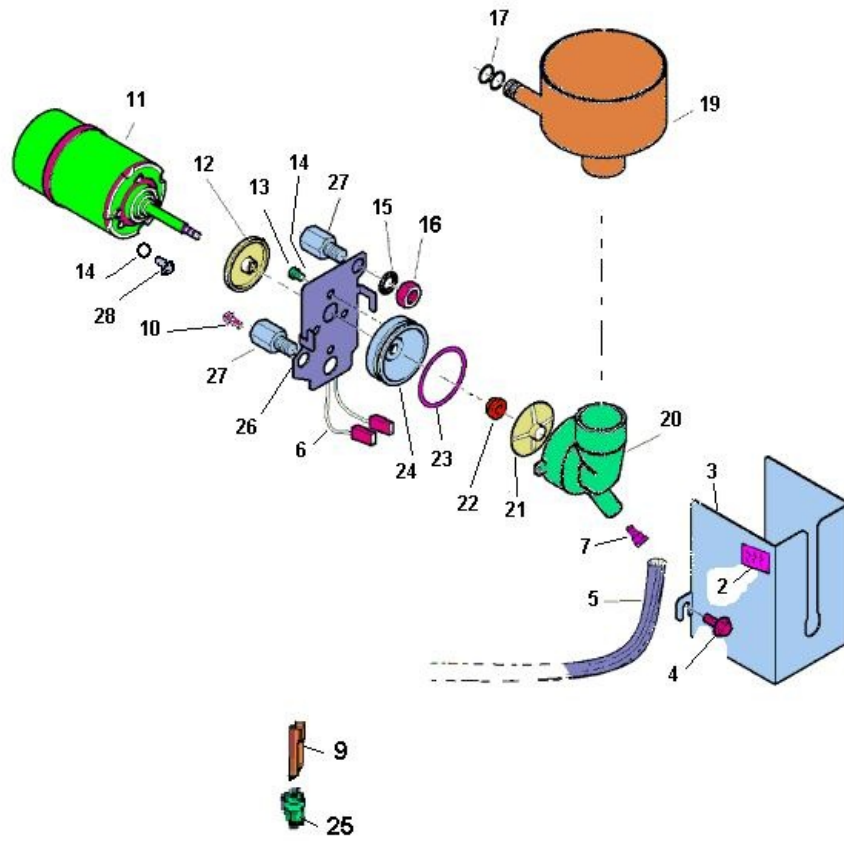
### COMPONENTS FOR MIXERS (405)



**COMPONENTS FOR MIXERS (405) - Item detail:**

Position	Code	Options	Description
1	05113825		brown mixing bowl coveronL=53
2	05071915		aspiration pipe connectionipe 8
3	33050126		3.2x8 rivetODE
4	20020016-01		24VDC mixermotor w/o cable
5	05154015		mixer protection disky grate(graph.)
6	05132525		brown r. holder connec.for 3,5pipe
7	05133242		brown mixer flange with washerpipe
8	32224356		3.9x22 self-tapping screw
9	05111825		mixer impellert.frame silver
10	05111625		brown mixing chambert.frame silver
11	36210916		OR2021 gasketODE
12	36210716		OR 3131 gasketODE
13	36351215		green V-seal gasketODE
14	05102225		brown mixing chambersy
16	36203816		OR 106 6,75/1,78 gasketODE
17	05113745M57		mixing bowl L=10 black am
18	43027810-01		tea serpentine assy ant.peg.
20	07017711		tea serpent. spring-971
21	09087843M57		7x11 black AM silicone pipe
22	32010226		scew 3,5*10 TCB 2F UNI9707
23	35168616		plain washerODE
24	05117025		brown lower aspiration box 2 mixers
25	05117125		brown upper aspiration box 2 mixers
26	05117215		aspiration box plugixers
27	05117615		vapor aspiration box opening
28	05117415M37		DOUBLE DROP COLLECTION TRAY BR

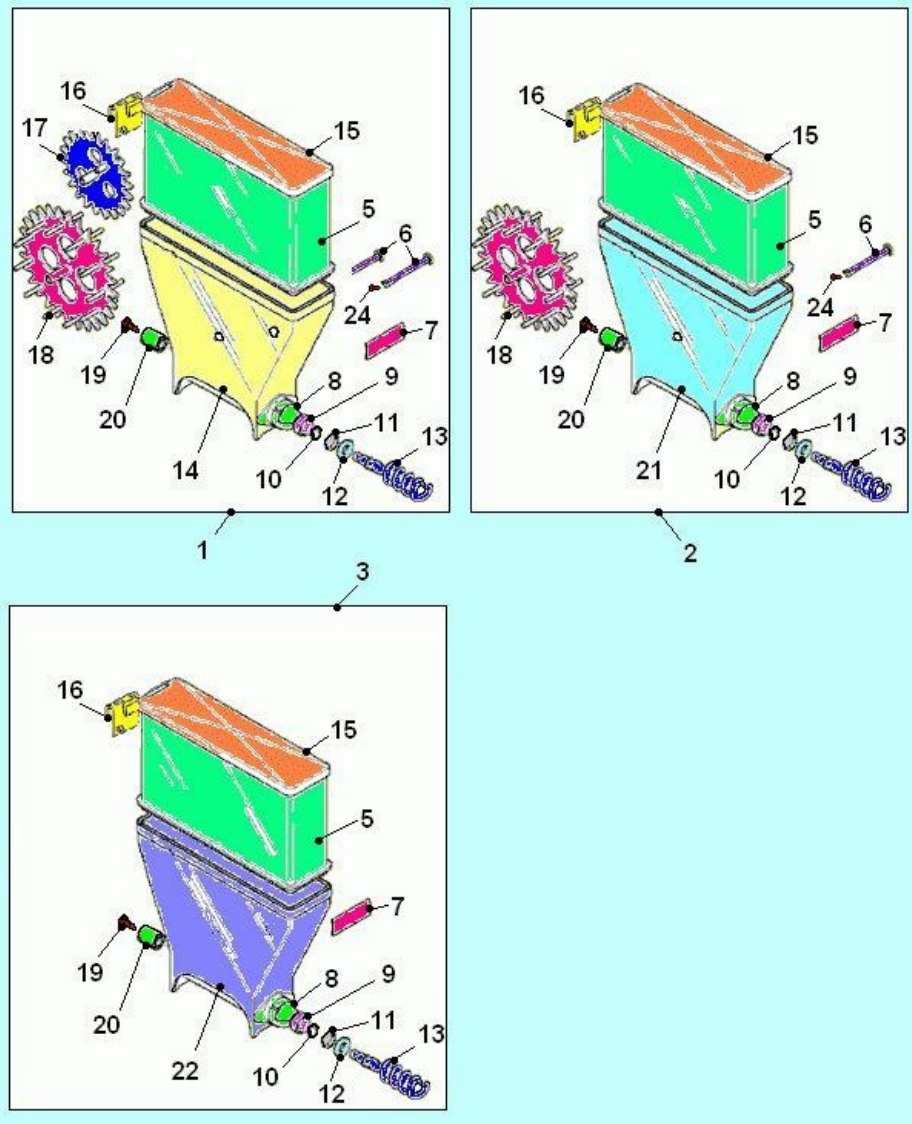
### MIXERS - CHAMBER HEATED



**MIXERS - CHAMBER HEATED - Item detail:**

Position	Code	Options	Description
2	30069411-01		temperat.safety sticker
3	01601111-03		heating chamber coversy
4	32227256		3.9x9.5 self-tapping screw9,5
5	09087823		grey silicon pipe 5x9581
5	09087823-02		brown sez silicon pipe 5x9
6	29004216		20W 24V heating element(heat.mixer)
7	05102225		brown mixing chambersy
9	05099715-01		white L=48 nozzlesy
10	32050516		screw 4 Mx10
11	20020016		24VDC mixermotor screwed shaft
11	20020016-01		24VDC mixermotor w/o cable
12	05154015		mixer protection disk grate(graph.)
13	32060416		4Mx8 screw
14	35160316		d. 4,2 IX self locking washer
15	35160616		Ø 8.3 self-locking washerODE
16	34103116		8MA hex nutODE
17	36203816		OR 106 6,75/1,78 gasketODE
19	05113725		heated mixing bowlonL=53
20	05137615		verton mixer chamberle
21	05111825		mixer impellert.frame silver
22	36351215		green V-seal gasketODE
23	36212516		O-Ring 29,74x2,95 vitonODE
24	19033441		mixer basegroup
25	05099615		nozzle bushsy
26	01123821		61,5 step bowl support
27	19056531-01		Spacer nut L=26,5Aristos
28	32050416		M4x8 screw

### CANISTER DOSER (686)



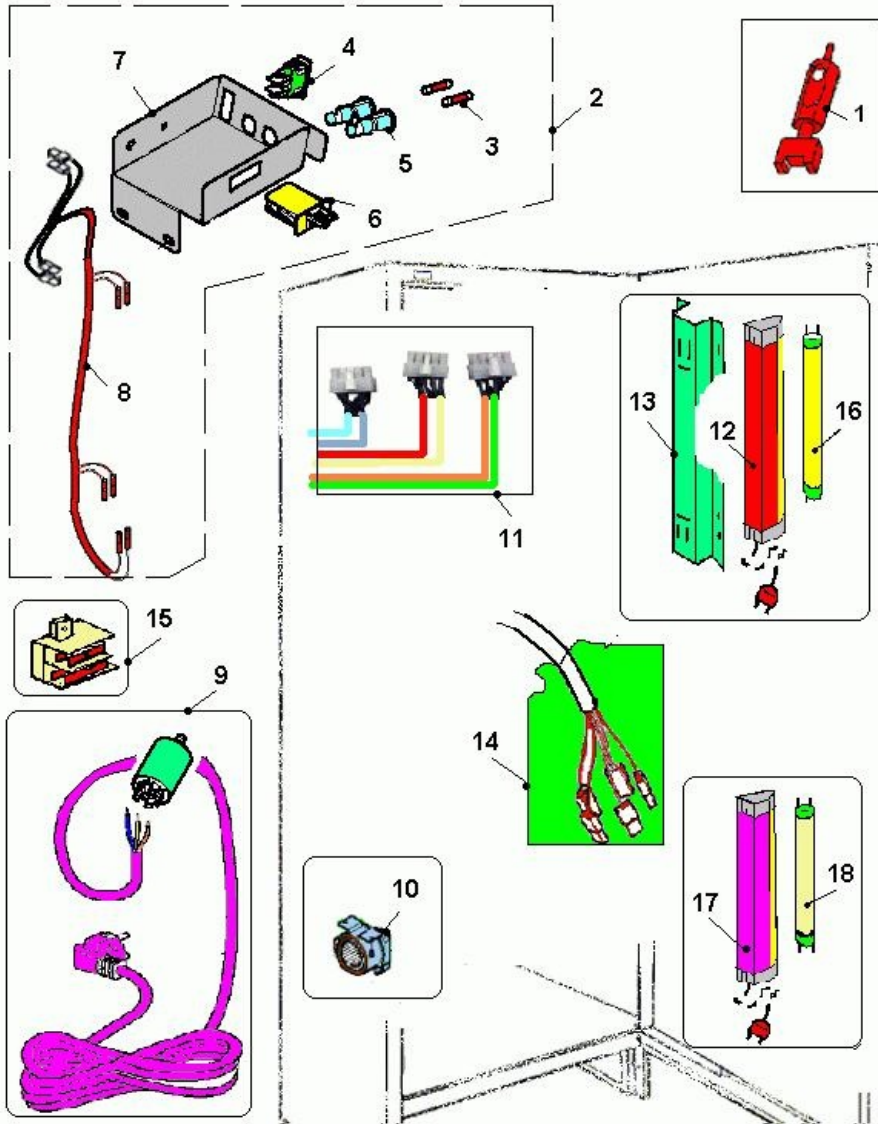
**CANISTER DOSER (686) - Item detail:**

Position	Code	Options	Description
1	96035940-01		canister assy (2 wheels-100MM)m
2	96035850-01		canister assy (1 wheel -100MM)m
3	96035740-01		Canister without wheel ext.100mm assy
5	05112735		upper product canister extentionL=100
6	05133115-01		canister pivotpipe
7	05113415		hookonL=53
9	05112535		auger pin bushing
10	36200616		Oring 15x2
11	36250016		DI 043 gasketODE
12	05113215		sealing bushing for augeronL=53
13	05124515		dispensing augerl
15	05112915		canister lidonL=53
16	05113015		hook for canisteronL=53
17	05112315		secondary cogwheel for canister
18	05112215-02		main cogwheel for canister
19	32222916		2,9x13 self-tapping screw
20	05113315		auger jointonL=53
21	05158625-02		1W Lower dispenser canister
24	05160215		wedge for canister pivotrt

## Group charts



### COMPONENTS AND CABLES (386)

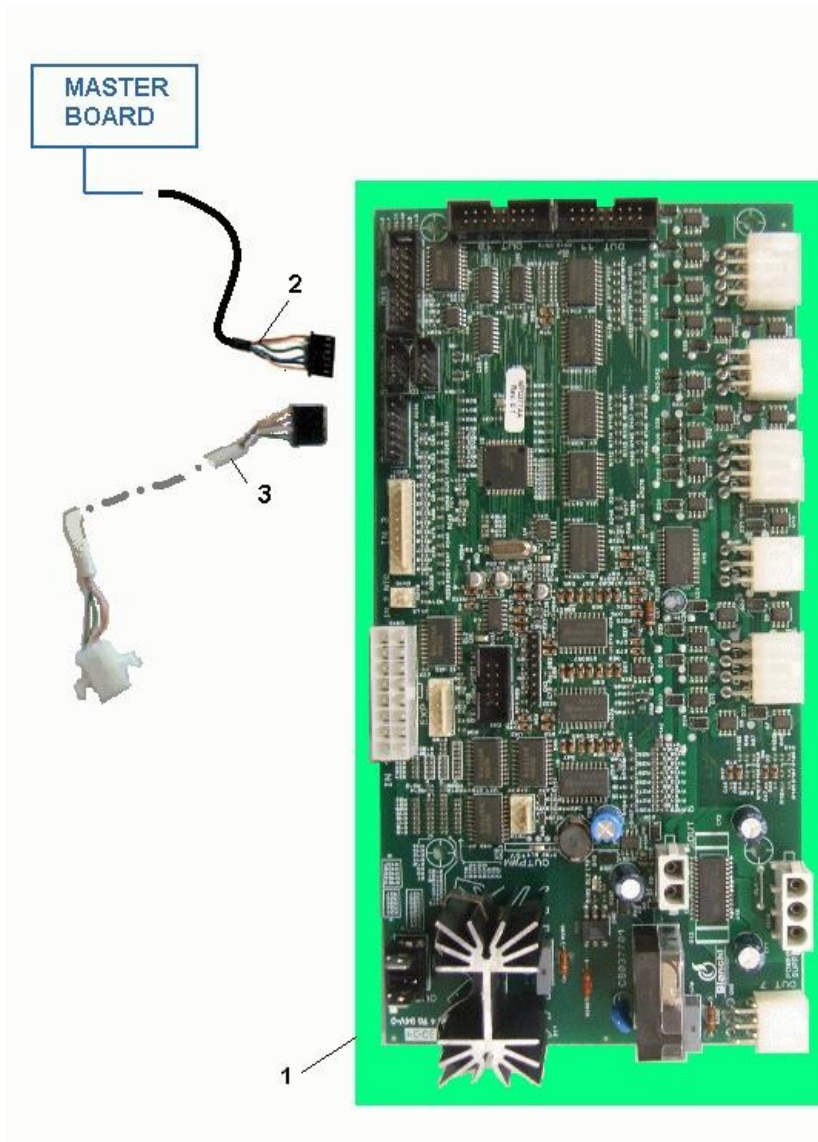




**COMPONENTS AND CABLES (386) - Item detail:**

Position	Code	Options	Description
1	05097215-02M09		Service key XT Clixon black am
2	94033410		BVM951 switch box assy
3	23014916		10 Amp. fuseable
4	23014416		socket 2P+Gable
5	23017316		6.3x32 snap-type fuse holderable
6	26016726		safety switchm
7	01815611-01		Switch & plug box
8	22173012-01		BVM 950 switch wiring
9	26026326		net filter quick connection with cable
10	20006316-01		aspirator w/spacer (ant-sir-or
11	22172912-01		BV950 cable
12	23039126-01		Neon lamp F.A.230V 8W LNK4100
13	01812311		omega upper neon BVM951
14	22172812		bvm950 door cablele
15	23038816		BVM plugs assyer
16	41081626		Neon kit for lamp 8W
17	23039116-01		Neon lamp F.A.230V 6W LNK6400
18	41081616		Neon kit for lamp 6W

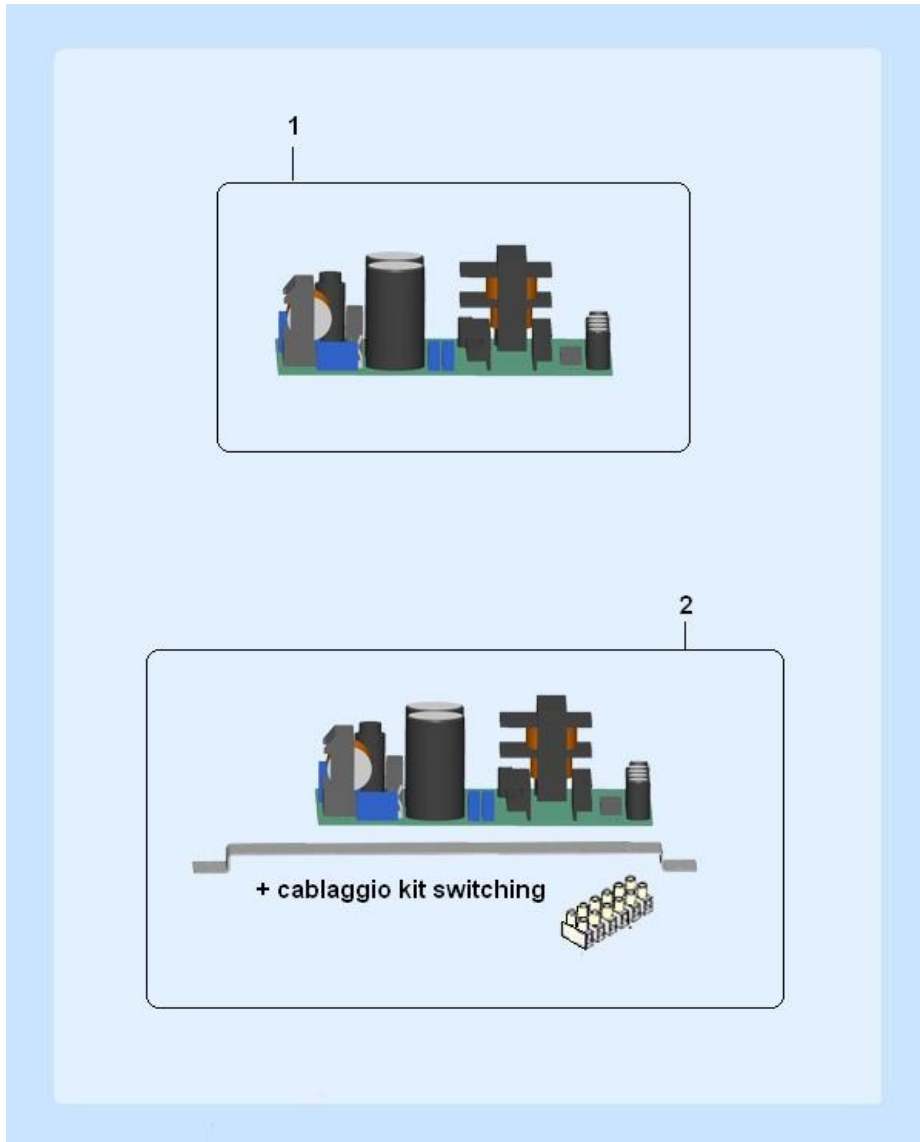
### ELECTRONIC BOARD - POWER (388)



**ELECTRONIC BOARD - POWER (388) - Item detail:**

Position	Code	Options	Description
1	26048416-01		Blue SMT micro256K POWER board
2	43020012		cable from Master B.SMT to Pow.B SMT
3	22125052		Master slave cable322mm

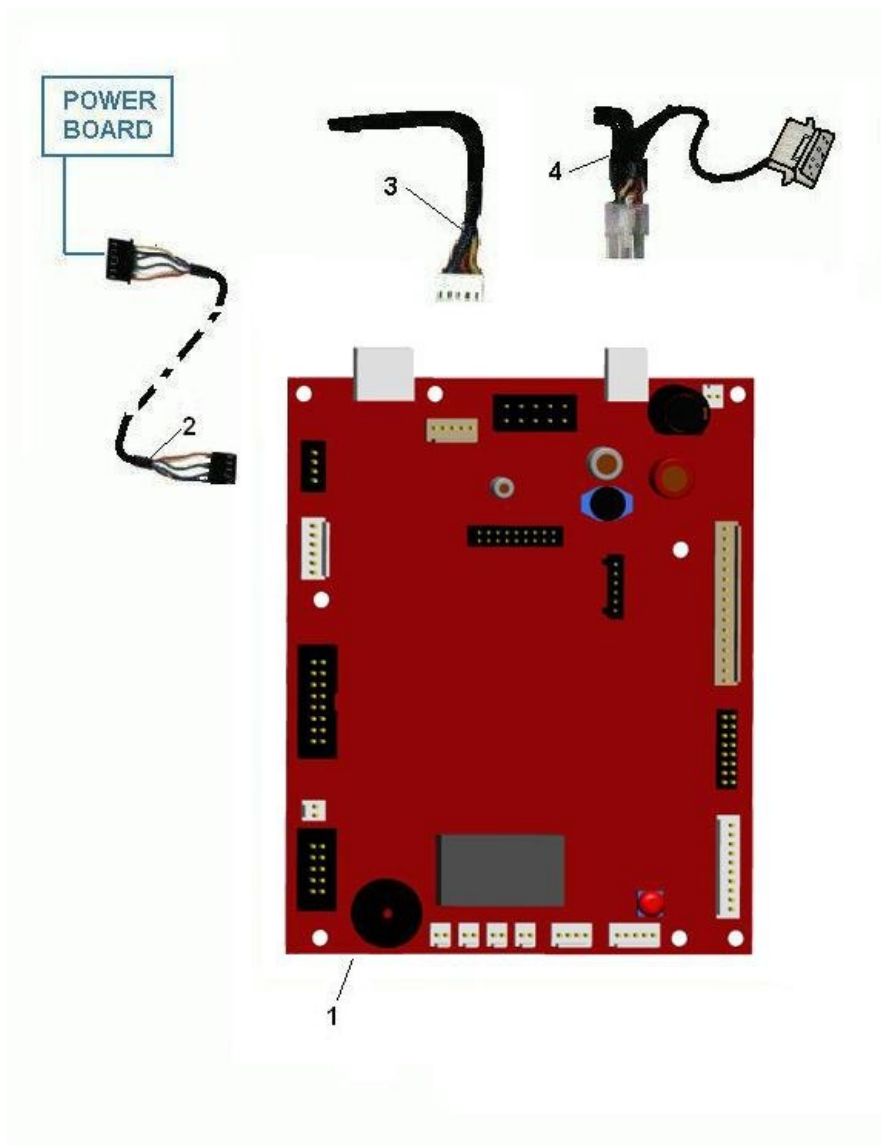
## POWER SUPPLY SWITCHING (389)



**POWER SUPPLY SWITCHING (389) - Item detail:**

Position	Code	Options	Description
1	26048356-01		switch powersupply24V120W/360W

### ELECTRONIC BOARD - MASTER (800)



**ELECTRONIC BOARD - MASTER (800) - Item detail:**

Position	Code	Options	Description
1	26027336-04		Red SMT w/micro256K CPU board
2	43020012		cable from Master B.SMT to Pow.B SMT
3	22084222-01		executive cablem.
4	22172312		SIRIOmdb+executive supply cable





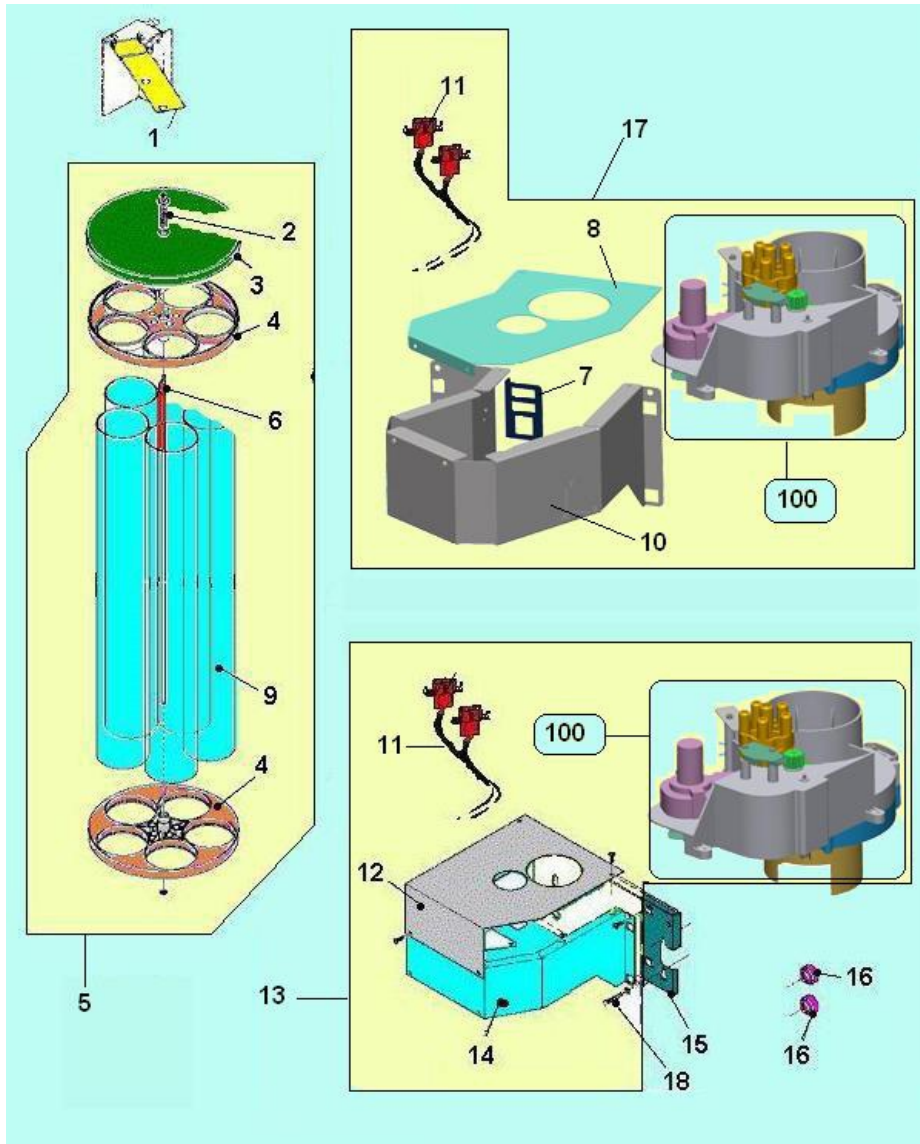
**KIT ELECTROMECHANICAL SELECTIONS COUNTER (545) - Item detail:**

Position	Code	Options	Description
1	43030310		sel.counter kit
2	23009616		3ways female connectorable
3	28001156		sel.counter 24VDC quick connect.
4	01669111-01		Mechanical counter support

## Group charts



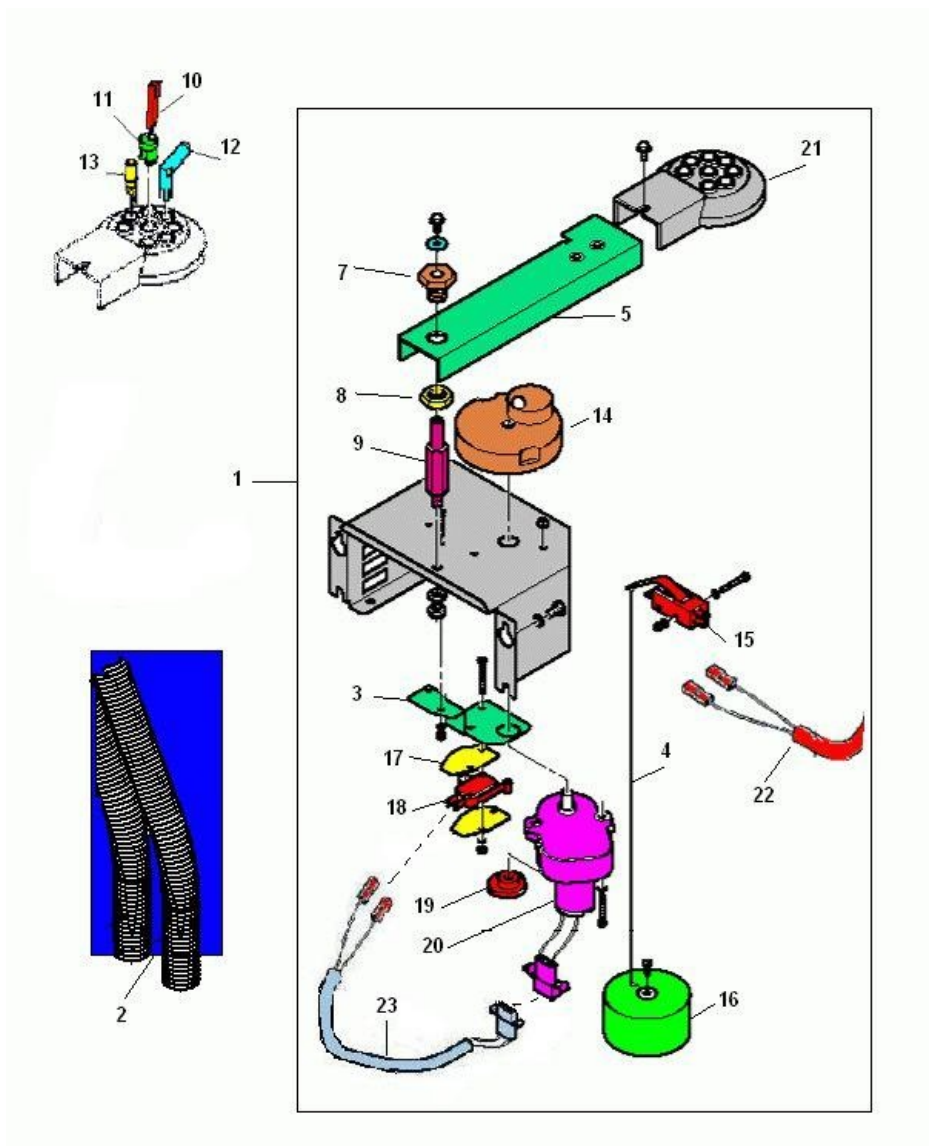
### ASSEMBLY COLUMN AND DISPENSER CUPS (80)



**ASSEMBLY COLUMN AND DISPENSER CUPS (80) - Item detail:**

Position	Code	Options	Description
<b>1</b>	01606711		cup turret holderphite
<b>2</b>	07020711-01		spring
<b>3</b>	05146115M09		Black cups turret lid
<b>4</b>	05135615M09		cup dispenser disk black
<b>5</b>	28006940		cups turret assembly ant.t.
<b>6</b>	19059321		Antares cups turret brace
<b>7</b>	01826811		Cup dispenser connector plate
<b>8</b>	01826721-01		Bv951 cup dispen.cover
<b>9</b>	09094121		75x77 PVC transp.pipe
<b>10</b>	01826621		BV95 cup dispenser frame
<b>11</b>	22178612		BV970IVS cup dispenser wiring
<b>12</b>	01587311-02		Cup dispencer cover
<b>13</b>	28007010-03		cup dispenser assembly
<b>14</b>	01587211-02		Cup dispencer loom
<b>15</b>	01607011-02		Cup dispencer support
<b>16</b>	19055611		cup dispenser support spacergroup
<b>17</b>	28011120-01		BV951 cup dispenser assy
<b>18</b>	32091016		5max30 te screw
<b>100</b>	1349		COMPONENTS DISPENSER CUPS (628)

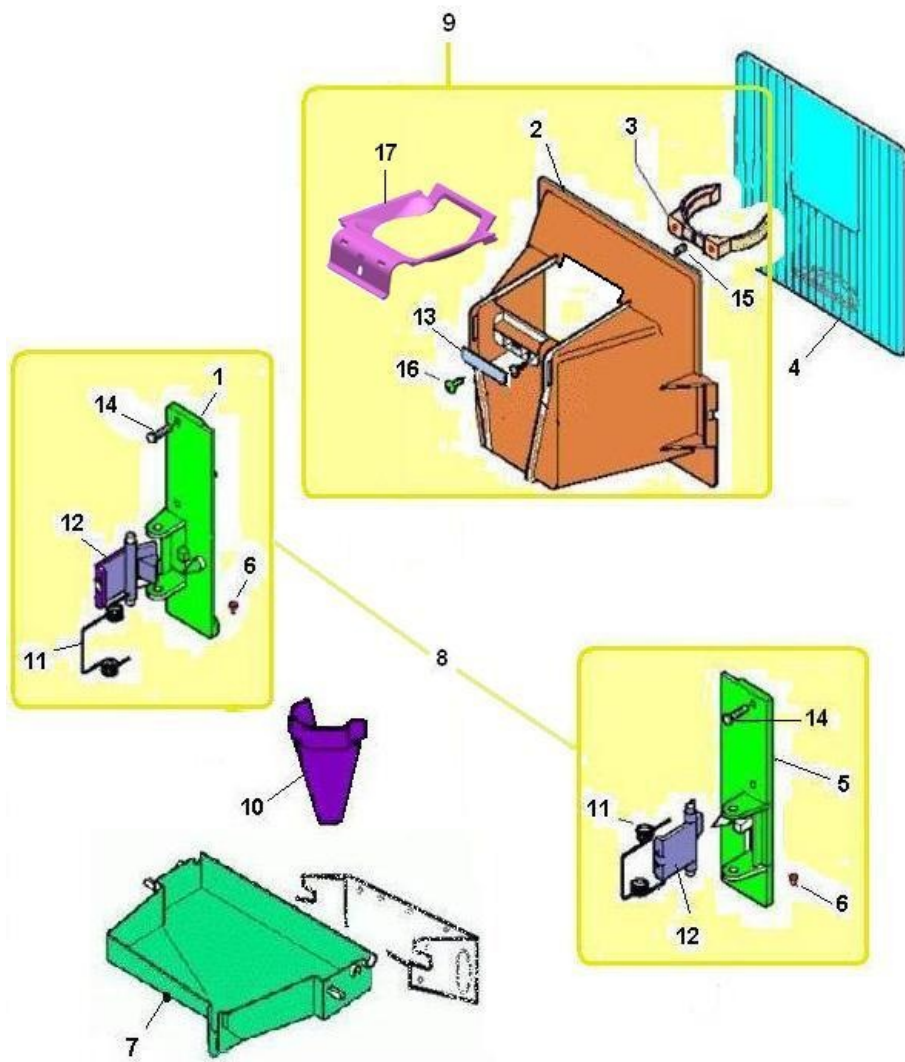
### ASSEMBLY SUPPORT NOZZLES EROGATORI (95)



**ASSEMBLY SUPPORT NOZZLES EROGATORI (95) - Item detail:**

Position	Code	Options	Description
<b>1</b>	96032720		nozzle support assy antares dek
<b>2</b>	09031113		28x33 Leviflex pipe581
<b>3</b>	01630011-01		micro supportantar.graph.
<b>5</b>	01509811-01		Antares nozzles arm support
<b>7</b>	19057411		nozzle arm bushgroup
<b>8</b>	04014111		hexagonal nut 1/4GASassy
<b>9</b>	19057311-04		Antares nozzle arm pin
<b>10</b>	05099715-01		white L=48 nozzlesy
<b>11</b>	05099615		nozzle bushsy
<b>13</b>	05096025		straight dispensing nozzlee PA66
<b>13</b>	05096035		brown straight dispensing nozzle
<b>14</b>	05089715M37		nozzle drive cam brown
<b>15</b>	26013726		too full microswitchm
<b>16</b>	05074412		floater assemblye
<b>18</b>	26005126		microswitch with wheel
<b>19</b>	05110715		orion micro camrame
<b>20</b>	20018816-01		24V 2,2nF 100V gearmotor
<b>21</b>	05089925-02M37		8 pos.nozzles supp.flange PA66
<b>22,4</b>	22130312		orion GP micro floater cableble
<b>23</b>	22111312		nozzle support cable low volt.antares

### DISPENSER BREWING (88)

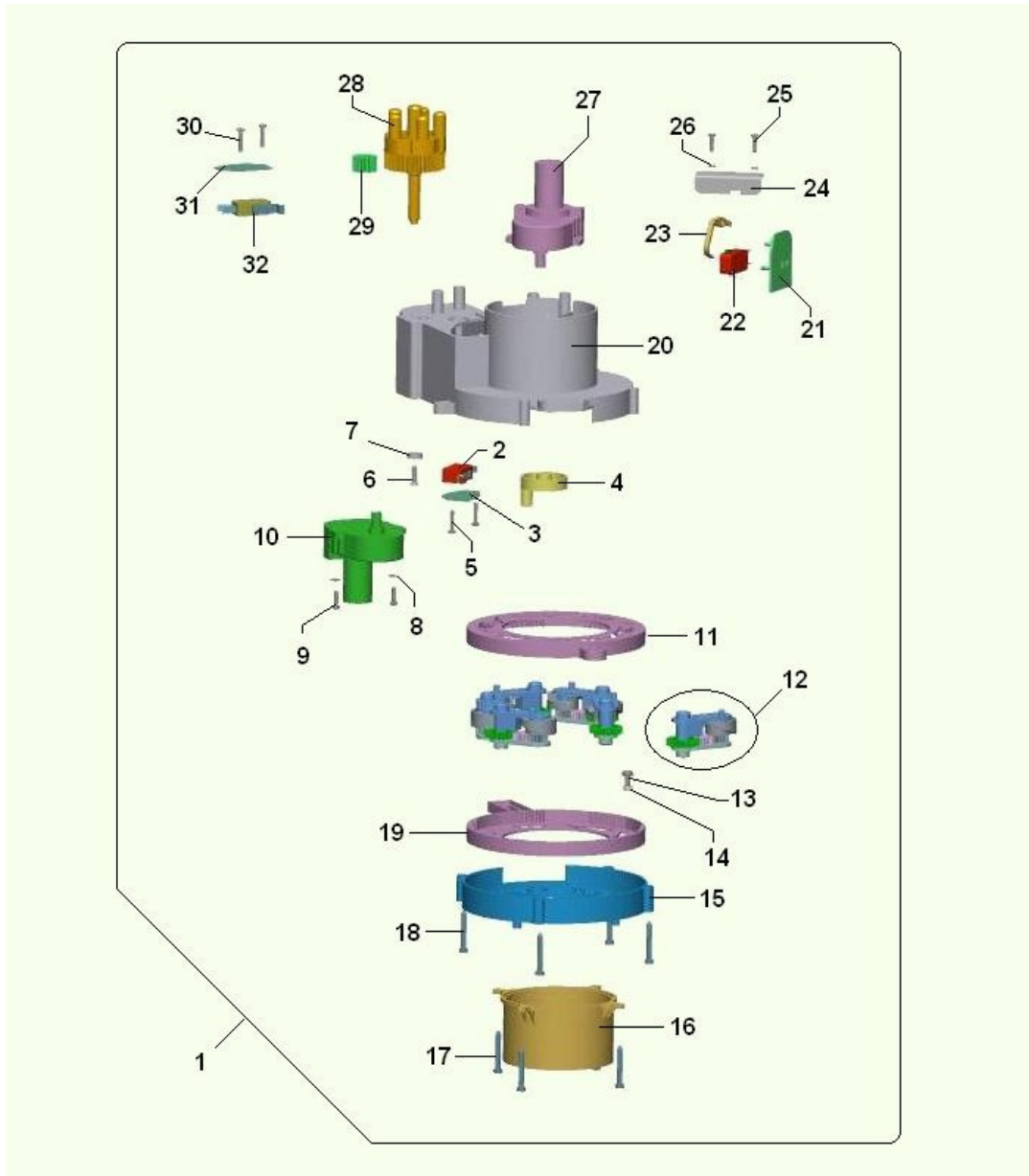


**DISPENSER BREWING (88) - Item detail:**

Position	Code	Options	Description
1	05103425-01		left cup station support blac
2	05103225-01		black cup station
3	05000315M09		black cup fork
4	05103615		cup station doork
5	05103325-01		black cup station lever suppor
6	05099116		blow-hole rubber capsy
7	05103715-02M09		drops collection tray black
8	43127110		cup station support LT/RT assy
9	05108320-01M09		black cup station
10	05103815-01		dispensing chamber funnelk
11	07017311		catch lever spring-971
12	05103525-01		black cup station lock-lever
13	05134415		delivery area platewn) C2000
14	32090516		TE5MAX16 screwank
15	32110416		5MAx10 hexagonal socket gr
16	32008726		spec.m5x15 tc screwank
17	05266315M09		Cup station protection collar



### COMPONENTS DISPENSER CUPS (628)



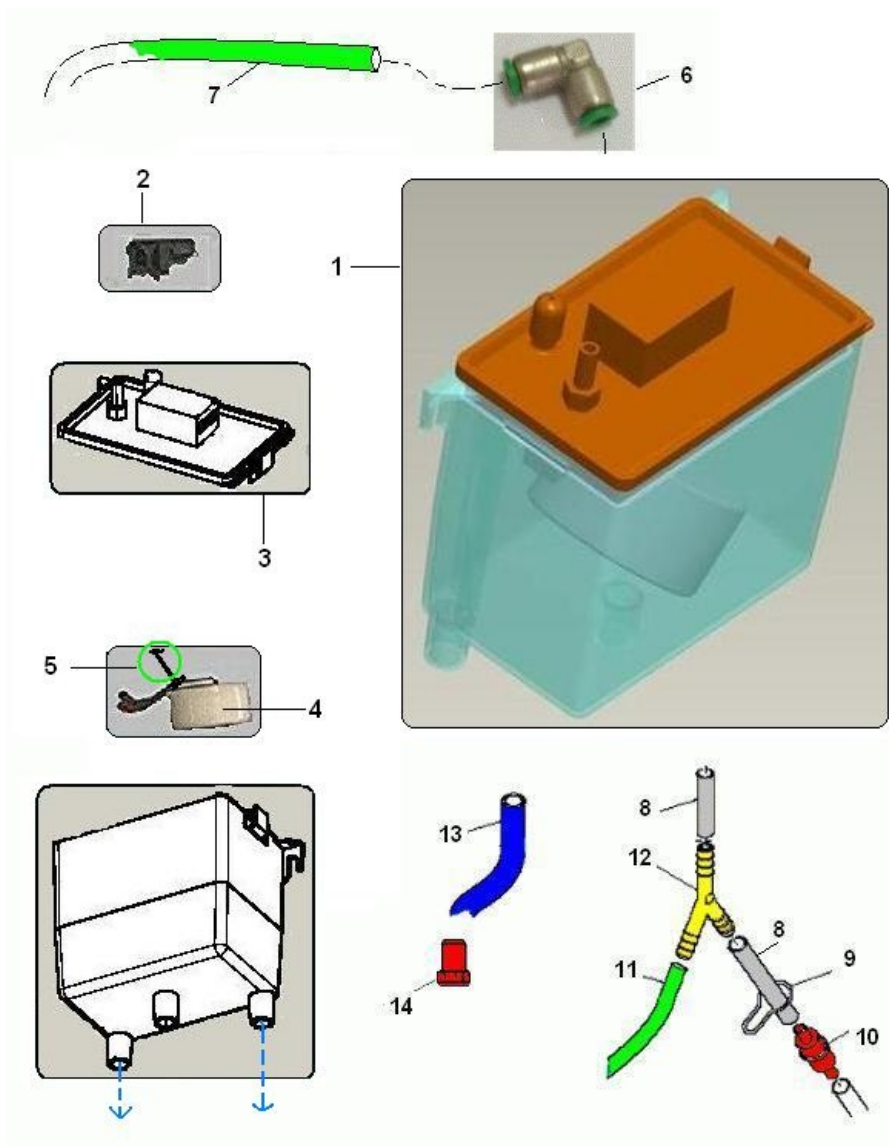
**COMPONENTS DISPENSER CUPS (628) - Item detail:**

Position	Code	Options	Description
<b>1</b>	28007110-01		OR-SI-ANT cup dispenser assy
<b>2</b>	26005136		microswitch with wheelm
<b>3,31</b>	08004111		microswitch insulationr spring
<b>4</b>	05121115		ring movement camite
<b>6</b>	32230566		screw self-tapping 4x18
<b>7</b>	05136215		bushsp.
<b>10</b>	20019316-01		24V DC gearmotor (NEW)
<b>11</b>	05120915M37		cup diam.regulation ring brown
<b>12</b>	05131020		CUP DISPENSER COCHLEA ASSY
<b>13</b>	32060616		4MAx12 screw
<b>14</b>	34102816		4MA hex nutODE
<b>15</b>	05120615M37		cupdispencer lower cover brown
<b>16</b>	05121015		pegaso funnelite
<b>17</b>	32222816		2.9x9.5 self-tapping screw
<b>18</b>	32010936		4,0X30 UNI9707 tapping screw
<b>19</b>	05120815M37		cups ejecting ring brown
<b>20</b>	05140115M37		upper cover c/pop brown
<b>21</b>	05121215-01M37		Cup dispen.microswitch supp.brown
<b>22</b>	26017016		micro without lever 10gr-m
<b>23</b>	05121315-02		cup presence sensor
<b>24</b>	01576411		microswitch support bracketblue
<b>25,9</b>	32025516		3max10 tc screw
<b>26,8</b>	35160216		self-locking diam.3.2
<b>27</b>	20018416-01		24VDC 12RPM 2,2nF 100V gearmotor
<b>28</b>	05136015		cam for cup turret rotationsp.
<b>29</b>	05136115		cup dispenser motor pinionsp.
<b>30,5</b>	32025716		3MA x 16 TC screw
<b>32</b>	26005156		micro with leverm

## Group charts



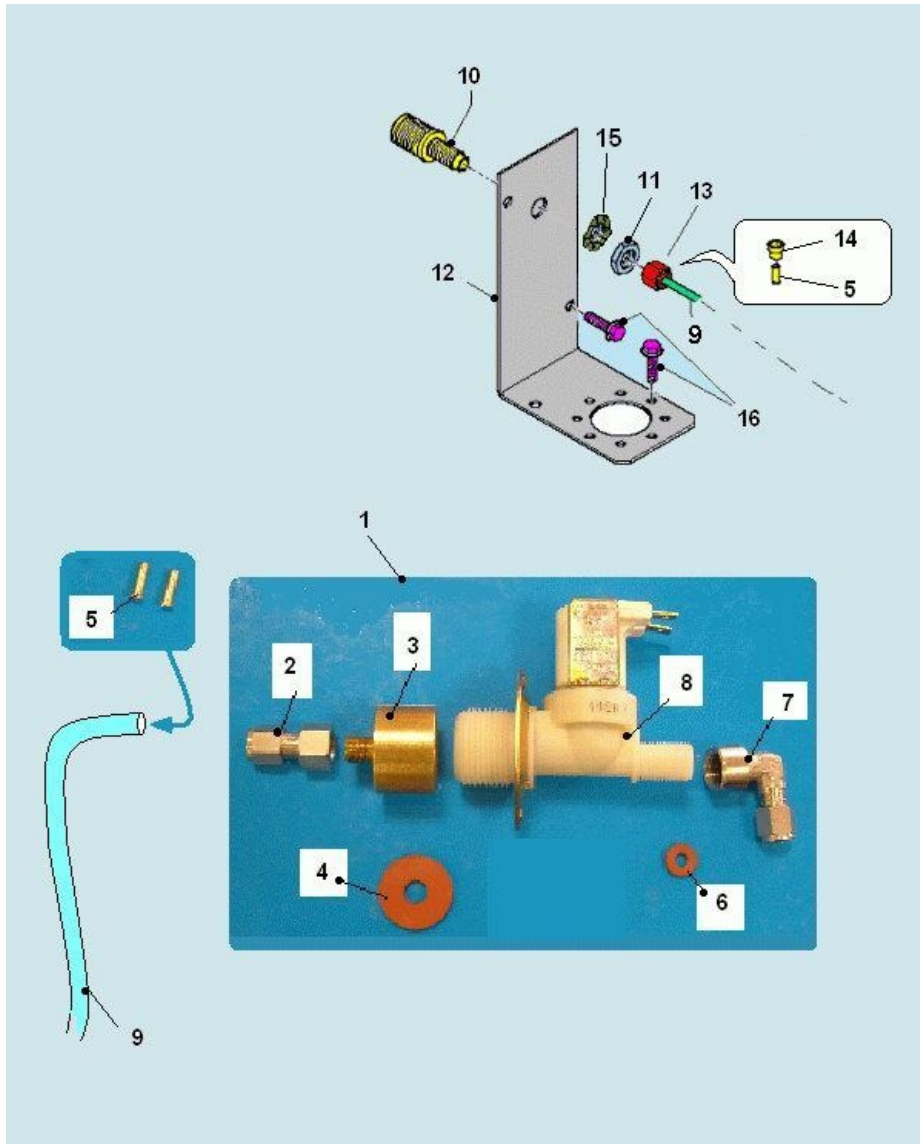
### WATER CONTAINER INPUT WATER (183)



**WATER CONTAINER INPUT WATER (183) - Item detail:**

Position	Code	Options	Description
1	93012020		water tank (instant machine)mm
2	26024316		tank sensor
3	43001016-01		Water tray cover with joint
4	43000916		floater+support for 93012010air-break
5	43017916		cam for airbreak cod93012010B
6	04041416		quick-release connection D=64 DM7,5
7	09085423		4x6 teflon pipe581
9	07010711		clapper-971
10	16014316		water filterer
11,8	09029723-01		transparent 8x11 silicone pipe
12	05240015M00		3ways connector 9mm ext.
13	09027623		12x16 L=700 PVC pipe581
14	05036515		drain tube plugipe 8

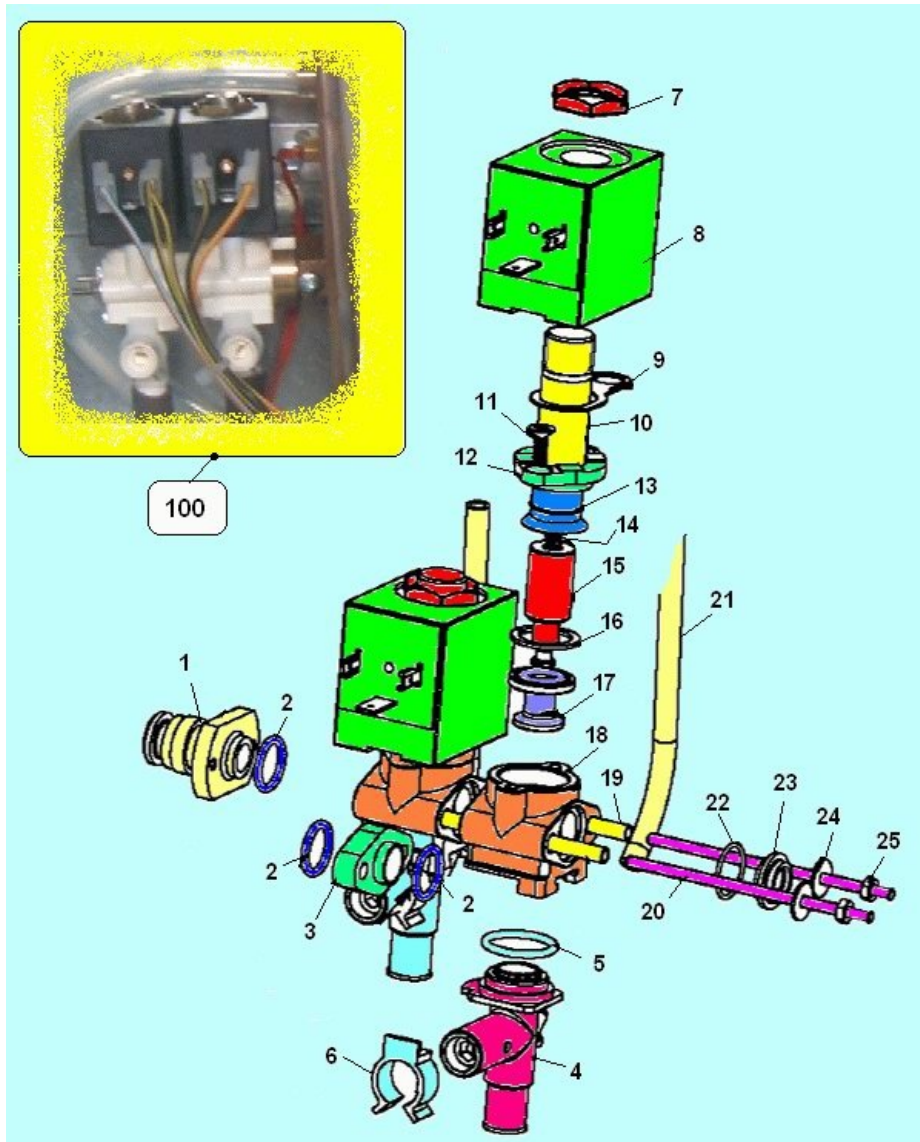
### ELECTRO-VALVE INPUT WATER (408)



**ELECTRO-VALVE INPUT WATER (408) - Item detail:**

Position	Code	Options	Description
<b>1</b>	25019180		electrovalve std. assy support
<b>2</b>	04035536		Straight female connection 1/8GAS.A234
<b>3</b>	04000131		3/4 GF 1/8 GM connectionassy
<b>4</b>	05111016		Ø 25,5 silicone plain gaskett.frame silver
<b>5</b>	19004326		reinforcing bushgroup
<b>6</b>	05111026		Silicon plain gaskett.frame silver
<b>7</b>	04036846		elbow connection4 DM7,5
<b>10</b>	04040716		1/8 - 3/8 straight connection4 DM7,5
<b>11</b>	04014131		hexagonal nut 1/8GASassy
<b>12</b>	01525111-04		OR-SI-ANT e.v. support plate
<b>13</b>	04035626		nut for elbow connectionGAS.A234
<b>14</b>	19046526		locking bushgroup
<b>15,9</b>	09085423		4x6 teflon pipe581
<b>15</b>	35160716		washerODE
<b>16</b>	32187216		three-lobe 5x8 screwank

### SOLENOID COMPONENTS 24V DC (478)

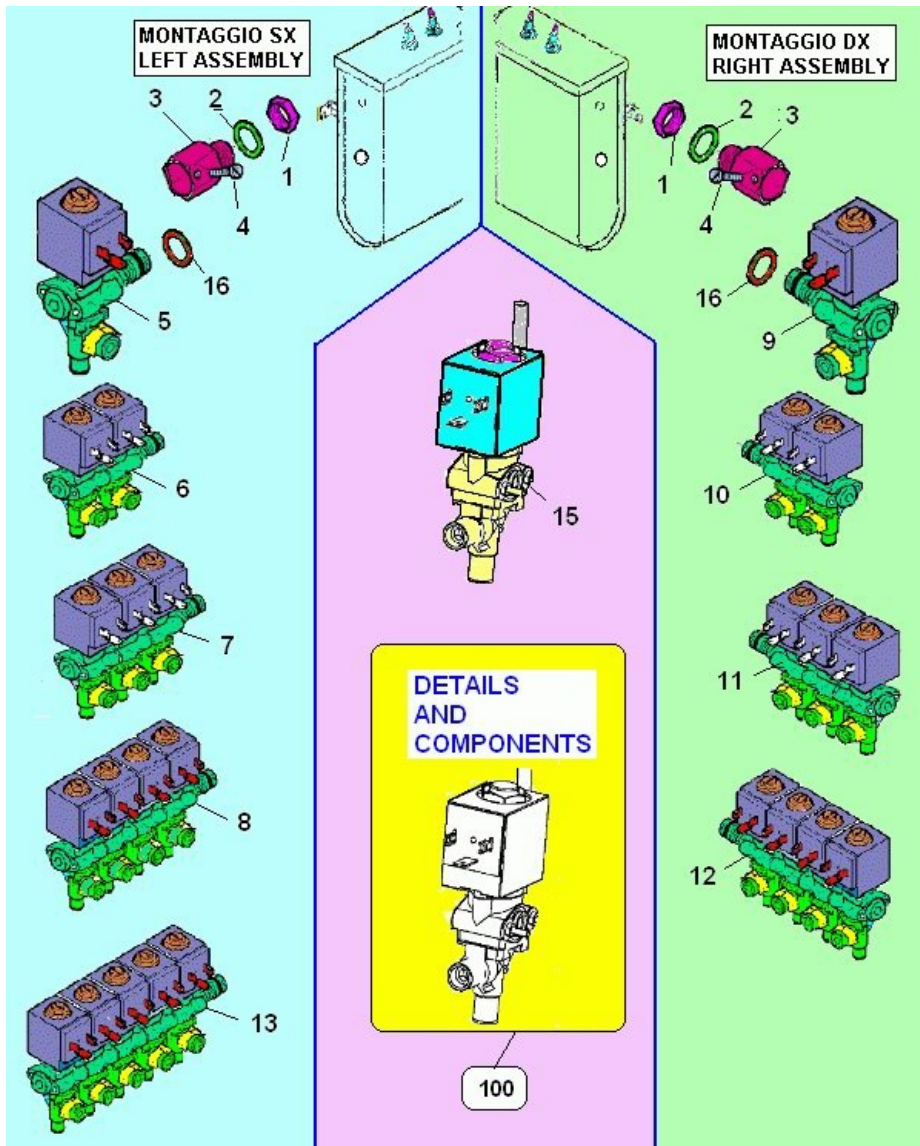




**SOLENOID COMPONENTS 24V DC (478) - Item detail:**

Position	Code	Options	Description
<b>1</b>	43020816		Era E.V. inlet connectionrds)
<b>3</b>	43021016		Era E.V.spacer flangerds)
<b>5</b>	43021216		Era E.V. 16x2 gasketection
<b>6</b>	43021316		Era E.V. fixing ringection
<b>7</b>	43021416		Era E.V. hexagonal nutection
<b>9</b>	43021616		Era E.V. pipe holder clipection
<b>11</b>	43021816		Era E.V. head fixing screwection
<b>14</b>	43022116		Era E.V. core springection
<b>15</b>	43022216		Era E.V. 24VDC corection
<b>18</b>	43022516		Era E.V.bodyection
<b>19</b>	43022626		2Era E.V. pipe guideection
<b>19</b>	43022616		1 Era electrovalve guide pipeser
<b>19</b>	43022636		3Era E.V. pipe guideection
<b>19</b>	43022646		4Era E.V. pipe guideection
<b>19</b>	43022656		5Era E.V. pipe guideection
<b>20</b>	43022746		threaded bar for 4 Era E.V.ection
<b>20</b>	43022716		Threaded bar for an Era electrovalve
<b>20</b>	43022756		threaded bar for 5 Era E.V.ection
<b>20</b>	43022736		threaded bar for 3 Era E.V.ection
<b>20</b>	43022726		threaded bar for 2 Era E.V.ection
<b>21</b>	09037141		4x6 silicone transp.pipe581
<b>22</b>	43022916		Era E.V. gasket 13x1ection
<b>23</b>	43023016		Era E.V. capection
<b>24</b>	43023116		Era E.V. washer for threaded bar
<b>25</b>	34102736		3MAaIX nutODE
<b>100</b>	1098		SOLENOIDS GROUP. 24V DC 2 (479)

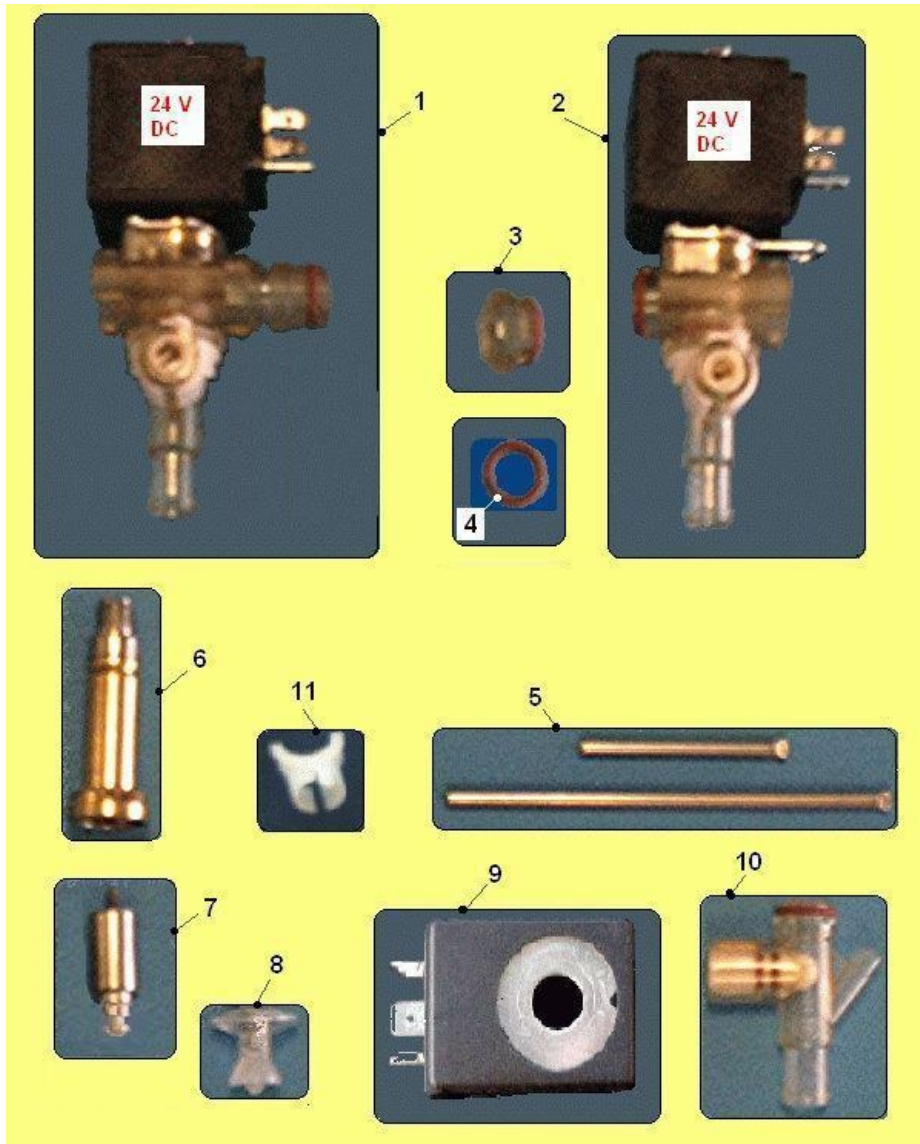
### SOLENOIDS GROUP. 24V DC 2 (479)



**SOLENOIDS GROUP. 24V DC 2 (479) - Item detail:**

Position	Code	Options	Description
<b>1</b>	04005311		3/8" nutassy
<b>2</b>	18002536		3/8" copper gasketer
<b>3</b>	04038211		quick connection4 DM7,5
<b>4</b>	32060416		4MAX8 screw
<b>5</b>	25025116		24VDC single left valvem
<b>7</b>	25025136		(left) triple electroval.bank
<b>8</b>	25025146		24VDC group of 4 left valvem
<b>9</b>	25025216		24VDC single right valvem
<b>10</b>	25025226		24VDC group of 2 right valvem
<b>11</b>	25025236		24VDC group of 3 right valvem
<b>15</b>	43023216		single Era E.Var
<b>16</b>	36205316		gasket 1090DE
<b>100</b>	1097		SOLENOID COMPONENTS 24V DC (478)

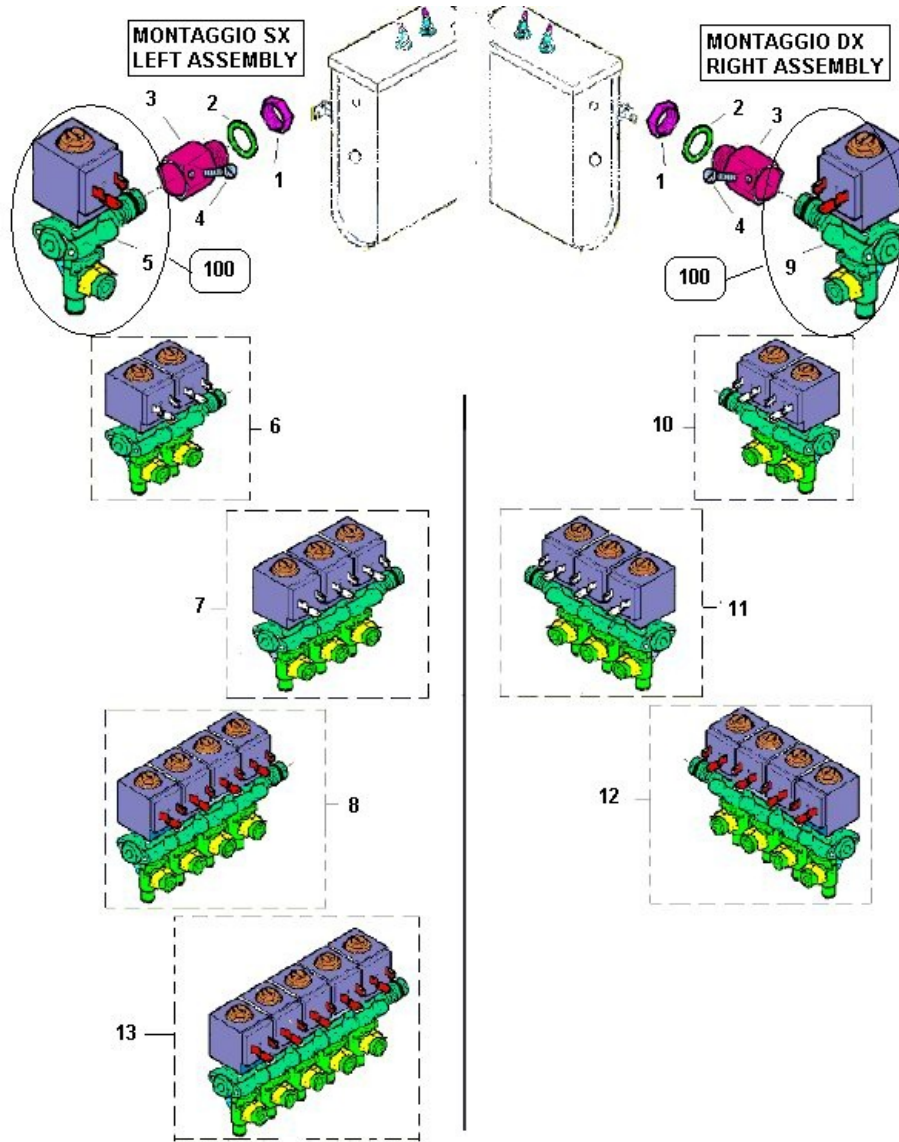
**COMPONENTS ELETTR. - ODE- 24 V DC 2 VIE POLYSULFONE (113)**



**COMPONENTS ELETTRIC. - ODE- 24 V DC 2 VIE POLYSULFONE (113) - Item detail:**

Position	Code	Options	Description
1	43023816		left solenoid valve 24VDC A10D
1	43023916		right solenoid valve 24VDC A1
2	43029316		left simple interm. solenoid v
2	43029416		right simple interm.solenoid v
3	41041916		EV K62 tap
4	41041816		tap EVK62 o-ring
5	41042226		block tube EVK62 x 2 ELEM.
5	41042236		block tube EVK62 x 3 ELEM.
5	41042246		block tube EVK62 x 4 ELEM.
6	43003516		cylinder assy for EVses
7	43003426		mobile core assy for EV k72ses
8	43012826		polisul. E.V.K72 cap-gasketble
9	41037136		ODE coil 3W 24VDCODE
10	43016316		lower body assy for polisul.e.v.K72
11	43003316		body holderses

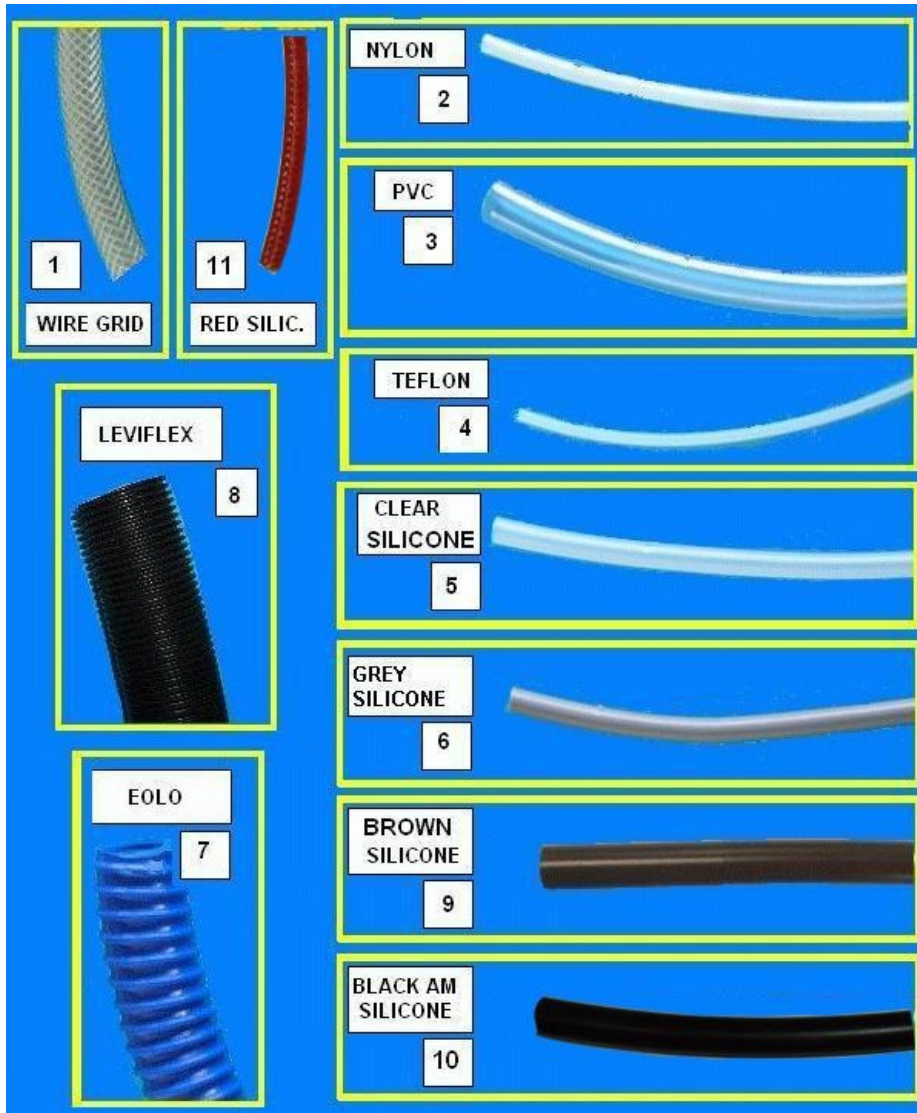
### SOLENOIDS GROUPS - ODE - 24V\_DC\_2 VIE\_POLYSULFONE (21)



**SOLENOIDS GROUPS - ODE - 24V\_DC\_ 2 VIE\_POLYSULFONE (21) - Item detail:**

Position	Code	Options	Description
<b>1</b>	04005311	3/8" nutassy	
<b>2</b>	18002536	3/8" copper gasketer	
<b>3</b>	04038211	quick connection4 DM7,5	
<b>4</b>	32242816	special screw for electrovalveODE	
<b>5</b>	43023816	left solenoid valve 24VDC A1OD	
<b>6</b>	43023826	left solenoid valve 24VDC A2OD	
<b>7</b>	43023836	left solenoid valve 24VDC A3OD	
<b>8</b>	43023846	left solenoid valve 24VDC A4OD	
<b>9</b>	43023916	right solenoid valve 24VDC A1	
<b>10</b>	43023926	right solenoid valve 24VDC A2	
<b>11</b>	43023936	right solenoid valve 24VDC A3	
<b>12</b>	43023946	right solenoid valve 24VDC A4	
<b>13</b>	43028816	24VDC 2ways solenoid valve	
<b>100</b>	162	COMPONENTS ELETTRIC. - ODE- 24 V DC 2 VIE POLYSULFONE (113)	

### EOLO AND HYDRO PIPES AVAILABLE (68)





**ELO AND HYDRO PIPES AVAILABLE (68) - Item detail:**

Position	Code	Options	Description
1	09094613		10x15 pipeown
2	09009813		8x10 nylon pipe
3	09027623		12x16 L=700 PVC pipe581
3	09027663		14x18 PVC pipe581
3	09027643		14X17 PVC pipe
3	09027653		20x26 PVC pipe581
4	09085413		4x2 teflon pipe581
4	09085423		4x6 teflon pipe581
5	09029763-01		5x9 transparent silicone pipe
5	09036091		3x5 silicon transp.pipe581
5	09037141		4x6 silicone transp.pipe581
5	09029723-01		transparent 8x11 silicone pipe
5	09029753-01		8x12 silicone transp.pipe
6	09087823		grey silicon pipe 5x9581
6	09087833		grey silicon pipe 6x9
7	09092811		Sz 30x35 EOLO pipe581
8	09031113		28x33 Leviflex pipe581
8	09031133		40x46 Leviflex pipe581
9	09087823-02		brown sez silicon pipe 5x9
9	09087873-02		3x6 brown silicone pipe
9	09087843-02		7x11 brown silicone pipe
10	09087823M57		5x9 silicon pipe black am
10	09087843M57		7x11 black AM silicone pipe
11	09105713		Boiler braided tubing