

Table :01 - Door - External side

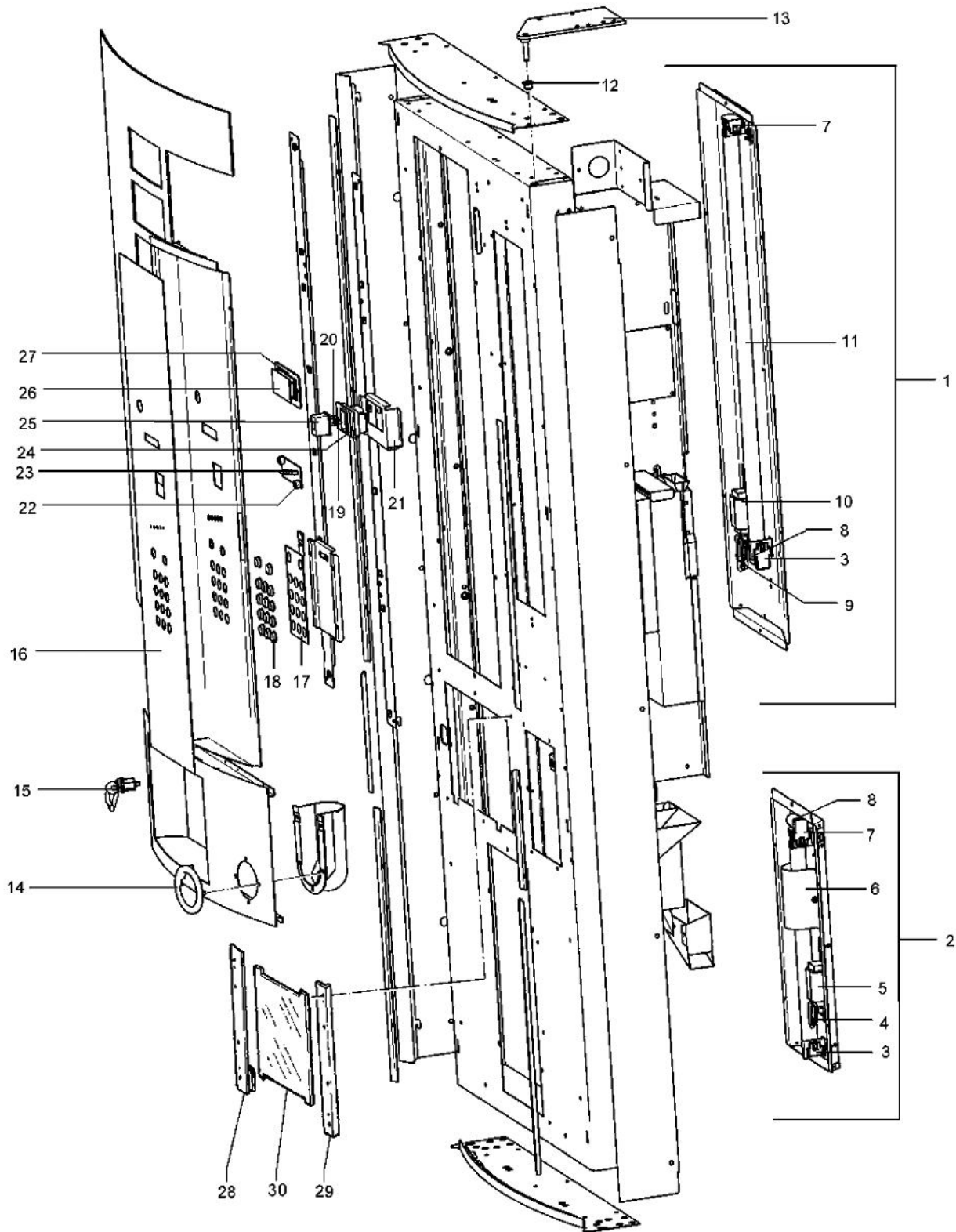


Table :01 - Door - External side

	Code	Description	Notes
1	0V2241	UPPER SUPPORT FOR LAMP	
2	0V2242	LOWER SUPPORT FOR LAMP	
3	987958	LAMP-HOLDER W/STARTER-HOLDER	
4	0V2233	LOWER LAMP PANEL WIRING	
5	0V1011	BALLAST	
6	0V2081	LAMP PROTECTION	
7	099783	LAMP-HOLDER	
8	091802	STARTER TYPE S10	
9	0V2232	UPPER LAMP PANEL WIRING	
10	0V3026	BALLAST EC16A27	
11	0V2235	LAMP L16W/25	
12	0V2226	HINGE BUSH	
13	0V2707	UPPER HINGE	
14	0V0834	COIN RECOVERY FRAME 'BLACK'	
15	099905	LOCK RIELDA	
16	0V4101	LOGO PLATE	
17	0V4152	MEMBRANE PUSH-BUTTON PANEL BLACK	
18	0V2574	KEYBOARD -AVS-	
19	093870	BUTTON SPRING	
20	095965	SELECTOR LEVER OPENING EFFECTER	
21	0V2223	COIN SLOT MOLDING ELEMENT	
22	099639	SPACER	
23	0V2145	SUGAR LED CARD	
24	0V2214	COIN SLOT MOLDING	
25	0V0835	PUSH-BUTTON 'BLACK'	
26	099645	DISPLAY GLASS	
27	251656	DISPLAY 1X16 BLUE	
28	0V4105	LEFT RUNNER	
29	0V4106	RIGHT RUNNER	
30	093888	CUP EXIT SHUTTER	

Table :02 - Door - Internal side

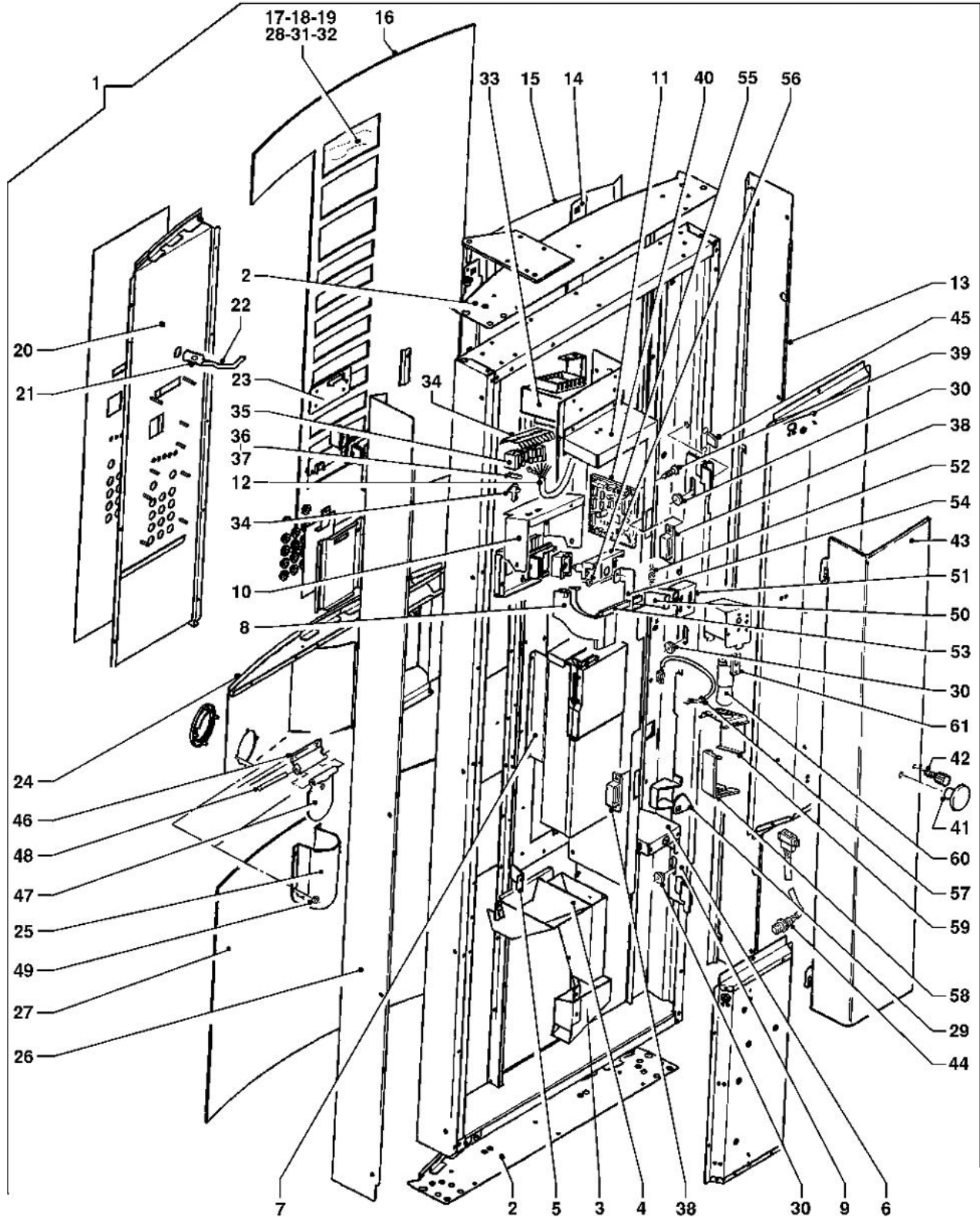


Table :02 - Door - Internal side

	Code	Description	Notes
1	0V4184	ROUND DOOR - SPAZIO -	
2	0V2208	DOOR LOWER/UPPER HEAD	
3	0V2239	COIN CHUTE	
4	0V2238	COIN CONVEYOR	
5	0V2224	CONVEYOR SECURING BRACKET	
6	0V2218	PHOTOCELL SUPPORT	
7	0V2220	COIN MECH. SUPPORT	
8	099539	SLIDE	
9	0V2240	LOCK ROD	
10	0V2222	COIN SLOT DEVICE SUPPORT	
11	0V2219	COIN MECH. BOX	
12	0V2579	DOOR WIRING-AVS-	
13	0V2206	LH DOOR PROFILE	
14	0V2370	LAMP PROTECTION SUPPORT	
15	0V2372	LAMP PROTECTION	
16	0V4104	UPPER PHOTOGRAFIC PANEL	
17	0V3367	PRICE PLATE - EURO 0.01-	
18	0V3368	PRICE PLATE - EURO 0.05-	
19	099242	PRICE-LABEL 'UK' N°2	
20	0V2573	PUSH-BUTTON PANEL SUPPORT-AVS-	
21	099743	FREE VEND SWITCH	
22	099924	JUG FACILITIES/FREE VEND WIRING	
23	099638	PLATE	
24	0V2699	DALLMAYR DISPENSING OPENING	
25	0V2227	COIN CHUTE	
26	0V2207	RH DOOR PROFILE	
27	0V4100	LOWER PHOTOGRAPHIC PANEL	
28	0V4102	'ITALIAN' PRODUCT LABELS	
29	0V4167	LOCK CAM	
30	0V2869	LOCK ROD SPACER	
31	099253	PRICE LABELS 'UK' N°1	
32	0V4172	PRODUCT PLATE FRANCE	
33	095708	TRANSFORMER 220/24/28V 50W	
34	097242	SUB-TERMINAL BOARD	
35	097241	3-POLE TERMINAL BOARD W/CARRIER	
36	096638	FUSE 5X20 200MA	
37	097097	FUSE 2 AMP.5X20 DELAYED ACT	
38	097508	LOCKING MAGNET	
39	097175	CARD SPACER	
40	0V1371	USER INTERFACE CARD	
41	096608	HANDLE FIXED	
42	096977	KNURL	

Table :02 - Door - Internal side

	Code	Description	Notes
43	0V0169	COVERING	
44	099272	PHOTOELECTRIC CELL	
45	098755	MICRO ACTIVATOR	
46	097455	MONEY RETURN SHUTTER BRACKET	
47	093890	MONEY RETURN SHUTTER	
48	093891	SHUTTER PIVOT	
49	093829	LEVER LOCK CLIP	
50	099731	LOWER LEVER FOR CHANGE	
51	098199	TOUCHER FOR CHANGE	
52	093978	SPRING FOR ACTUATOR	
53	098201	SELECTOR OPENING PIN	
54	098203	UPPER LEVER FOR CHANGE	
55	097298	FASTEX CLIP	
56	099008	TEMPLATE FIXING BRACKET	
57	0V2234	COMPARTMENT LAMP WIRING	
58	0V2229	COMPARTMENT LAMP GLASS DALLMAYR	
59	0V2221	COMPARTMENT LAMP SUPPORT DALLMAYR	
60	0V2236	FILAMENT LAMP T26/57 CL 25W	
61	0V2237	LAMP-HOLDER	

Table :03 - Cabinet assv

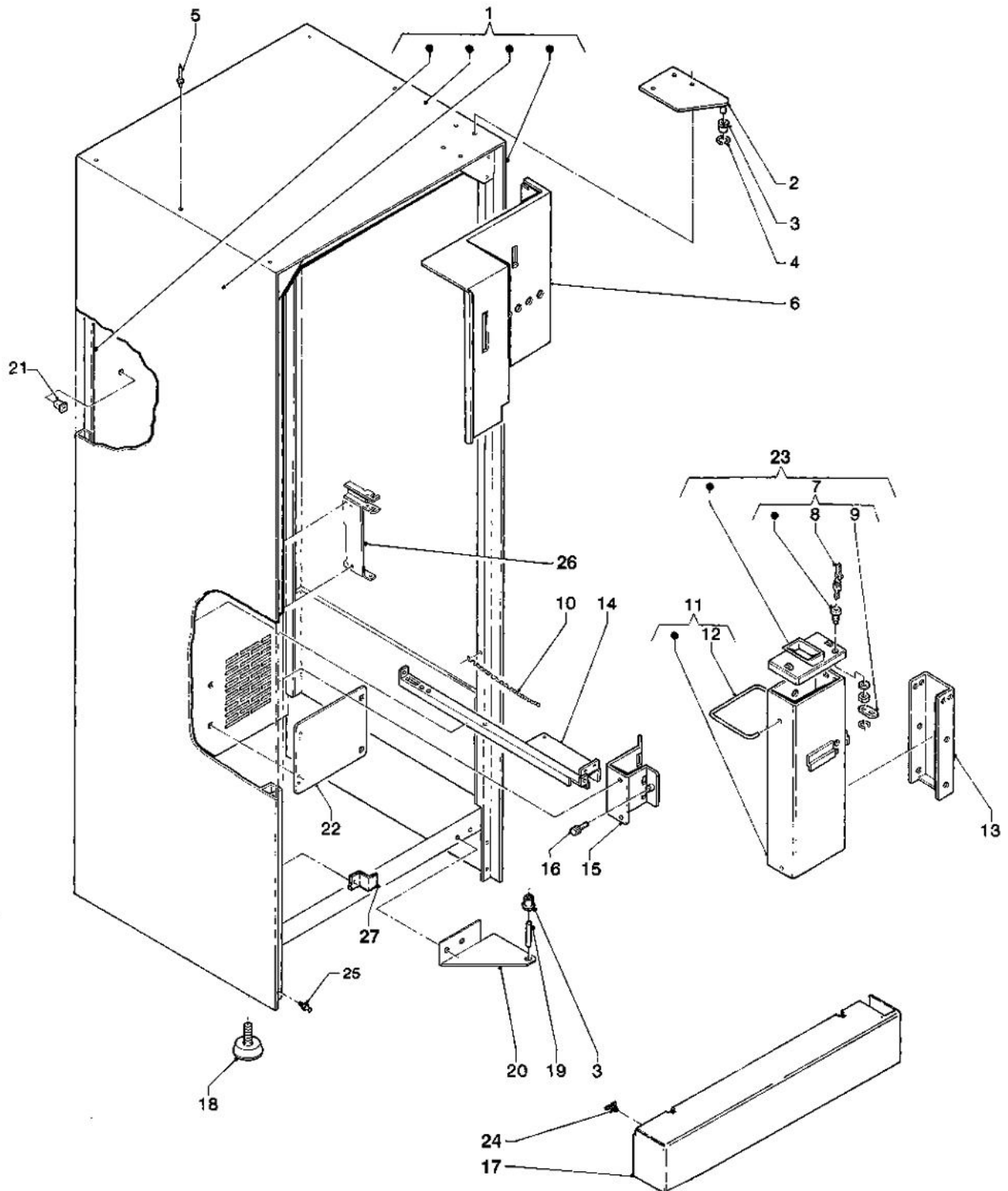


Table :03 - Cabinet assy

	Code	Description	Notes
1	0V1926	CABINET 'BLACK'	
2	0V2707	UPPER HINGE	
3	0V2226	HINGE BUSH	
4	093171	OUTER FIXING COLLAR DIAM MM6	
5	098222	RIVET	
6	099626	COVERING	
7	090861	CYLINDER LOCK TYPE K	
8	092218	PASSE-PARTOUT LOCK K	
9	098551	BOLT	
10	099663	DOOR STOP	
11	0V0540	COIN BOX	
12	098791	COIN-BOX HANDLE	
13	099627	SUPPORT	
14	099624	SUPPORT	
15	098753	SUPPORT DELIVERY OPENING	
16	096977	KNURL	
17	0V0840	FEET COVER 'BLACK'	
18	096244	LITTLE FEET	
19	094576	CENTERING PLUG	
20	099634	REINFORCEMENT FOR LOWER HINGE	
21	094111	INSULATING DOLLY BLOCK	
22	0V0171	BACK COVERING	
23	099493	MONEY-BOX LID	
24	094073	LOCK SPRING GRINDER AND COFFEE GROU	
25	094159	FIXING PLUG	
26	0V0945	SHELF SUPPORT	
27	098298	LOCK COUPLER BRACKET	

Table :04 - Electric circuit

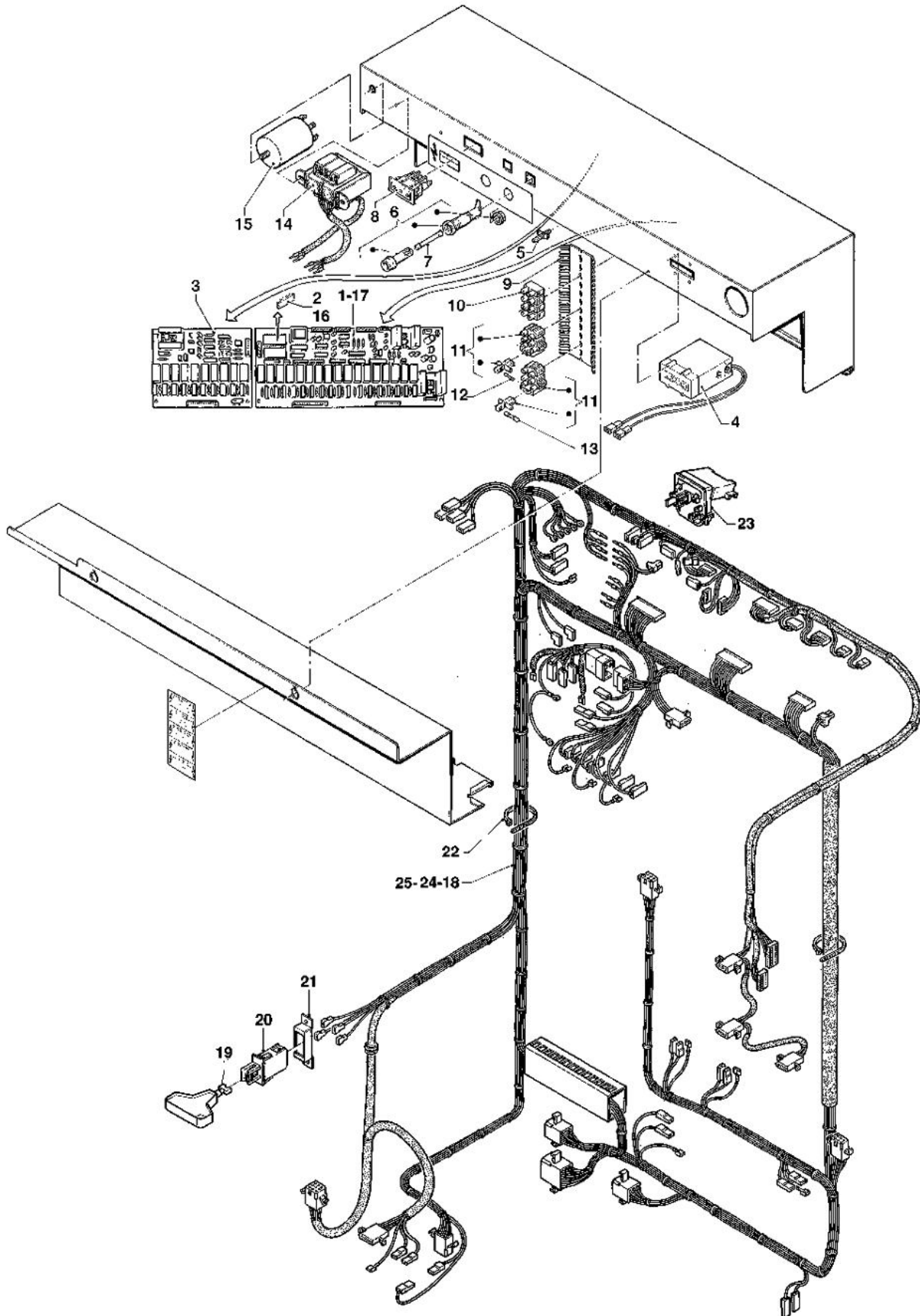


Table :04 - Electric circuit

Code	Description	Notes
1	0V1960	CPU/REALISATION BOARD
2	095004	EPROM 512K(TO BE PROGRAMMED)
3	099659	MEMORY EXPANSION BOARD
4	0V2470	WIRED SCALER 12 VOLT
5	093984	GUIDE SPACER
6	098794	FUSE-HOLDER
7	095636	FUSE 15 A
8	096921	POWER POINT 10 AMP
9	097242	SUB-TERMINAL BOARD
10	093282	12-POLE TERMINAL BOARD
11	097241	3-POLE TERMINAL BOARD W/CARRIER
12	097544	FUSE 125 MA DELAYED ACTION
13	097103	FUSE 1.25A 5X20 DELAYED ACTION
14	098792	TRANSFORMER
15	0V3512	ELECTRICAL NET FILTER
16	099982	1024K-EPROM (TO BE PROGRAMMED)
17	0V1858	PLUS CPU/REALISATION BOARD
18	0V4103	COFFEE MAIN WIRING
19	0V1654	SWITCH KEY
20	097796	SWITCH
21	098797	SWITCH SUPPORT
22	090148	CLIP
23	098796	TERMINAL BOARD
24	0V2216	INSTANT PROD. MAIN WIRING
25	250000	MAIN WIRING -BUNZL -

Table :05 - Coffee console

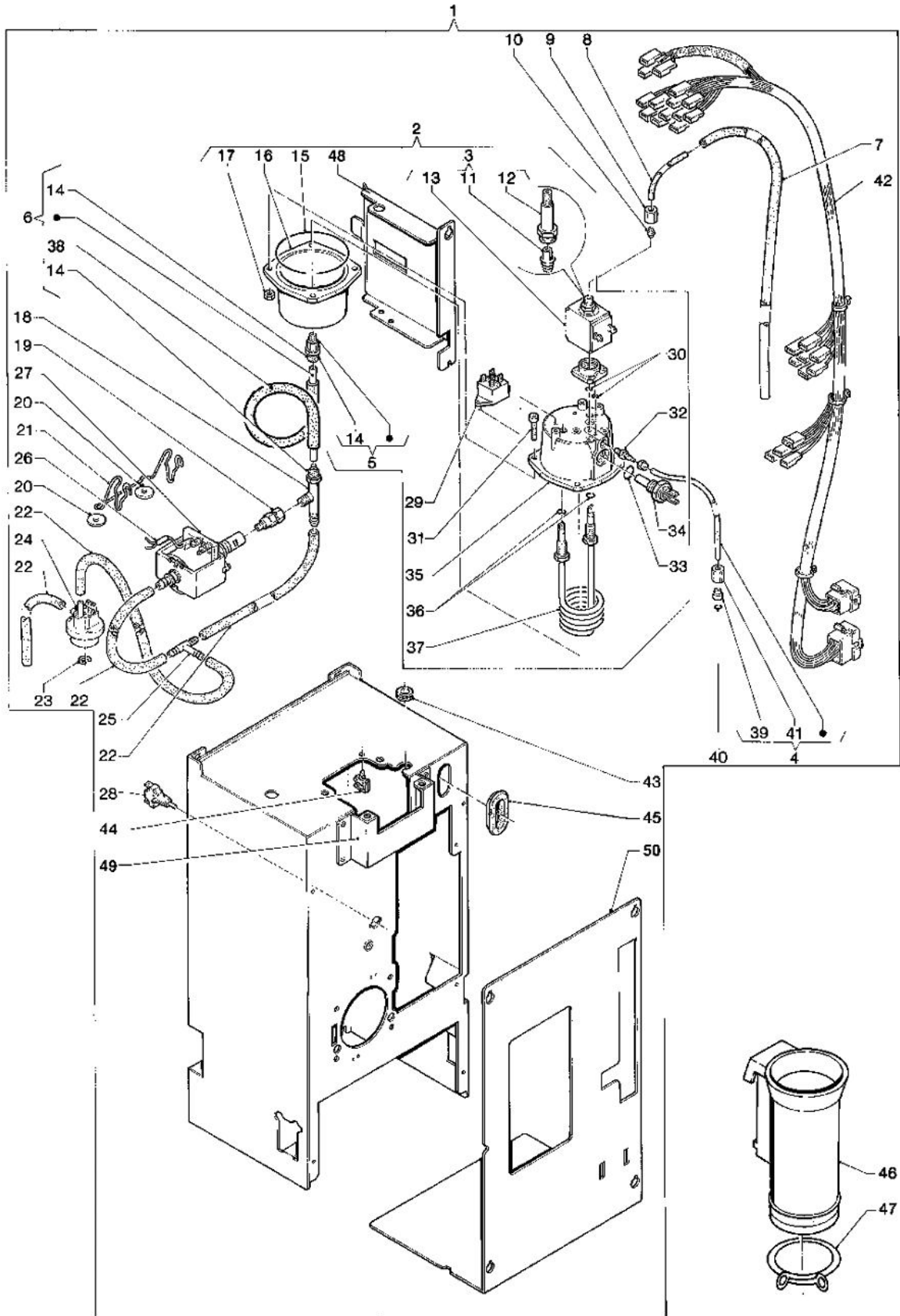


Table :05 - Coffee console

	Code	Description	Notes
1	099651	COMPLETE COFFEE CONSOLE	
2	099745	COMPLETE COFFEE BOILER	
3	097470	3-WAY ELECTROVALVE 220V	
4	098709	PISTON-PIPE	
5	098758	STRAIGHT UNION	
6	0V2158	PUMP PIPE/COFFEE BOILER	
7	094386	HOSE VIPLA MM 6X9	
8	092068	TEFLON PIPE DIAM MM 2X4	
9	093636	TIGHTENING NUT ELECTR. DE-AERATION	
10	093635	TIGHTENING RING ELECTRICAL DE-AERAT	
11	250348	3-WAY ELECTROVALVE NUCLEUS- RUBY-	
12	250016	3-WAY ELECTROVALVE PIPE	
13	099057	ELECTROV.-COIL 220/230 VOLT	
14	099107	NUT	
15	099748	GASKET	
16	099746	LOWER BOILER-COVER	
17	985318	NUT	
18	098764	BY-PASS PUMP (12 BAR)	
19	099101	NO-RETURN VALVE	
20	093091	PUMP DAMPER	
21	098697	PUMP SUPPORT	
22	097510	SILICONE HOSE 5X9 BROWN	
23	093754	BENZING COLLAR QUICKBLOCK BQ DIAM MM	
24	098707	VOLUMETRIC COUNTER	
25	094231	UNION T-SHAPE	
26	098815	90 DEGREES THERMIC PROTECTION	
27	098760	PUMP (VIBRATION)	
28	097898	UNIPOLAR BUTTON	
29	0V1318	125 DEGR. THERMOSTAT	
30	252538	O-RING 2025	
31	096194	SCREW M6X25	
32	0V1434	STRAIGHT UNION	
33	095624	GASKET O-RING 116 EP851	
34	094872	BOILER TEMPERATURE PROBE	
35	099747	UPPER BOILER-COVER	
36	254711	GASKET O-RING112 2.62X9.92	
37	099653	HEATING ELEMENT 1450 W	
38	097685	SILICONE HOSE BROWN 7.5X12	
39	098711	BUSH PISTON PIPE	
40	094611	GASKET O-RING 2018	
41	098699	UNION FOR PISTON PIPE	
42	099654	WIRING	

Table :05 - Coffee console

	Code	Description	Notes
43	093312	WHIPPING DIAM MM 12 ART 46	
44	098165	WIRE-FIXING	
45	098600	CHOCK	
46	094047	PASTILLE BAG HOSE	
47	094048	BAG LOCK COLLAR	
48	0V1389	BOILER SUPPORT	
49	0V2802	GRINDER SUPPORT	
50	0V4154	COFFEE-SHELF COVER	

Table :06 - Hydraulic system and Instant boiler

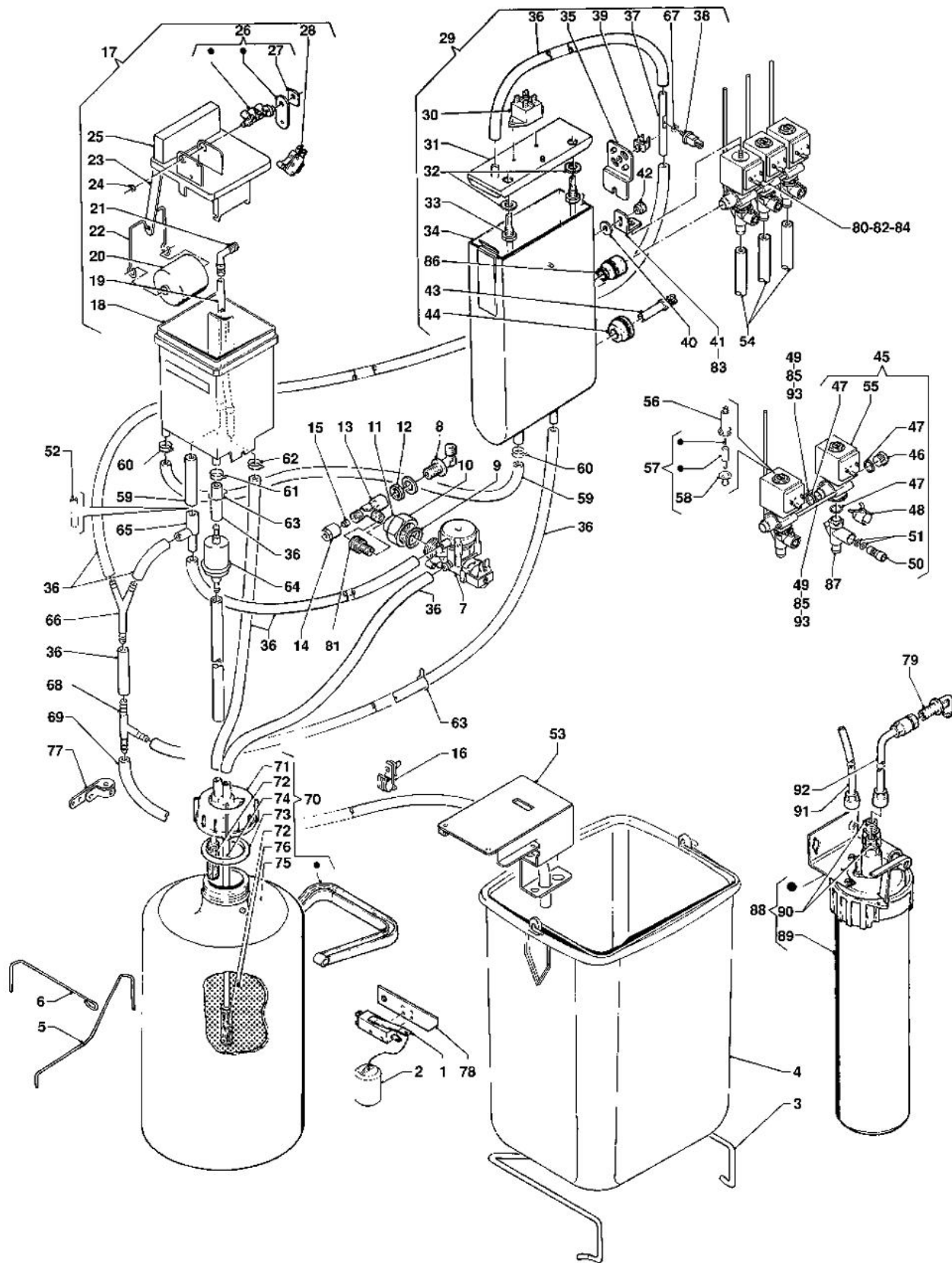


Table :06 - Hydraulic system and Instant boiler

	Code	Description	Notes
1	093308	MICROSWITCH SERIE RLL/D	
2	094294	FLOAT	
3	095730	BUCKET FASTENER	
4	097530	SQUARE WASTE BASKET BROWN	
5	094516	DEPURATOR FASTENER	
6	094046	FRONT DRUM FASTENER	
7	097383	ELECTROVALVE WATER-INLET 220V-2.5L/MIN-	
8	092651	INTERMEDIATE ELBOW LINK	
9	092364	UNION GASKET 3/4	
10	093951	TIGHTENING NUT G 3/4	
11	093952	WATER INLET CONNECTION NIPPLE	
12	092652	LOCK NUT 1/4 REV	
13	095586	BANJO UNION T-SHAPE	
14	092387	TIGHTENING NUT	
15	096656	PLUG COLLAR	
16	098459	WIRE-CLIP	
17	098250	AIR-BREAK COMPLETE	
18	094115	AIR BREAK CASE	
19	094330	HOSE POLYTHENE MM 6X9	
20	094120	FLOAT	
21	094571	UNION 90 DEGREES	
22	094118	FLOAT ARM	
23	094119	CONNECTING ROAD	
24	091959	BENZING COLLAR DIAM MM4	
25	094116	AIR-BREAK LID	
26	094933	CONTROL DEVICE MICRO AIR-BREAK	
27	094128	GRIP CLIP	
28	0V1929	MICRO 'UL' FOR AIR-BREAK	
29	099671	INSTANT BOILER COMPLET	
30	0V1364	105 DEGREE SAFETY THERMOSTAT	
31	098867	INSTANT-BOILER COVER	
32	099289	GASKET	
33	098862	STRENGTHENED HEATING-ELEMENT	
34	098866	INSTANT-BOILER	
35	099749	BRACKET	
36	097512	SILICONE HOSE 6X12 BROWN	
37	098390	PIPE FOR THERMOSTAT FIXING	
38	098726	THERMOSTAT	
39	098484	HOSE FIXING	
40	093179	INSULATING WASHER MOTOREDUCTER	
41	098895	ELECTROVALVE FIXING BRACKET	
42	097699	KNURL M4	

Table :06 - Hydraulic system and Instant boiler

	Code	Description	Notes
43	0V0157	FEELER	
44	099918	GASKET FOR FEELER	
45	099915	GROUP 1 ELECTROVALVE	
46	0V4308	STOPPER WITH O-RING	
47	0V3554	GASKET O-RING	
48	0V3556	LOWER BODY STOP	
49	0V4309	LOCKING TUBE L=138	
50	0V3555	ADJUSTING-SCREW + O-RING	
51	099064	ADJUSTING-SCREW-GASKET	
52	0V1980	CONDENSATE COLLECTION FITTING REDUCTION	
53	0V3616	NOZZLES SUPPORT	
54	097511	SILICONE HOSE 6X9 BROWN	
55	099057	ELECTROV.-COIL 220/230 VOLT	
56	0V3552	VALVE BUSH	
57	0V3550	ELECTROVALVE NUCLEUS	
58	0V3551	MEMBRANE-GASKET	
59	097515	SILICONE HOSE 10X16 BROWN	
60	096264	HOSE CLIP	
61	095515	HOSE CLIP DIAM 14	
62	097122	HOSE CLIP	
63	092703	TUBE CLAMP	
64	097435	WATER FILTER VOLUMETRIC COUNTER	
65	094185	CODENSE RECOVERY UNION	
66	093959	UNION Y-SHAPE DIAM 12 OUTER	
67	094597	COPPER WASHER	
68	096552	UNION T-SHAPE	
69	093628	HOSE VIPLA TRANSPARENT DIAM MM 14X1	
70	094124	DEPURATOR COMPLETE	
71	094126	DEPURATOR LID	
72	091993	DEPURATOR FILTER	
73	092942	DEPURATOR COVERING GASKET	
74	094127	WATER OUTLET PIPE	
75	094124	DEPURATOR COMPLETE	
76	091995	RESIN DEPURATOR 5 LITRES	
77	091420	ADJUSTABLE COLLAR	
78	092761	INSULATING DISK	
79	094334	INTERMEDIATE ELBOW LINK	
80	099914	GROUP 3 ELECTROVALVES	
81	097441	WATER INLET INTERMEDIATE HYP.-2	
82	0V0729	220V 4-ELECTROVALVE UNIT	
83	0V0895	SQUARE PIECE FOR 5 ELECTROV.	
84	0V0901	5-ELECTROVALVE UNIT	

Table :06 - Hydraulic system and Instant boiler

	Code	Description	Notes
85	0V4310	LOCKING TUBE L=107	
86	099847	GASKET	
87	0V4307	LOWER ELECTRICVALVE BODY	
89	099775	FILTER CARTRIDGE 4DH	
90	092535	TERMINAL MALE	
91	099999	PIPE	
92	097378	CONNECTION PIPE	
93	0V4311	LOCKING TUBE L=76	

Table :07 - Cup dispenser

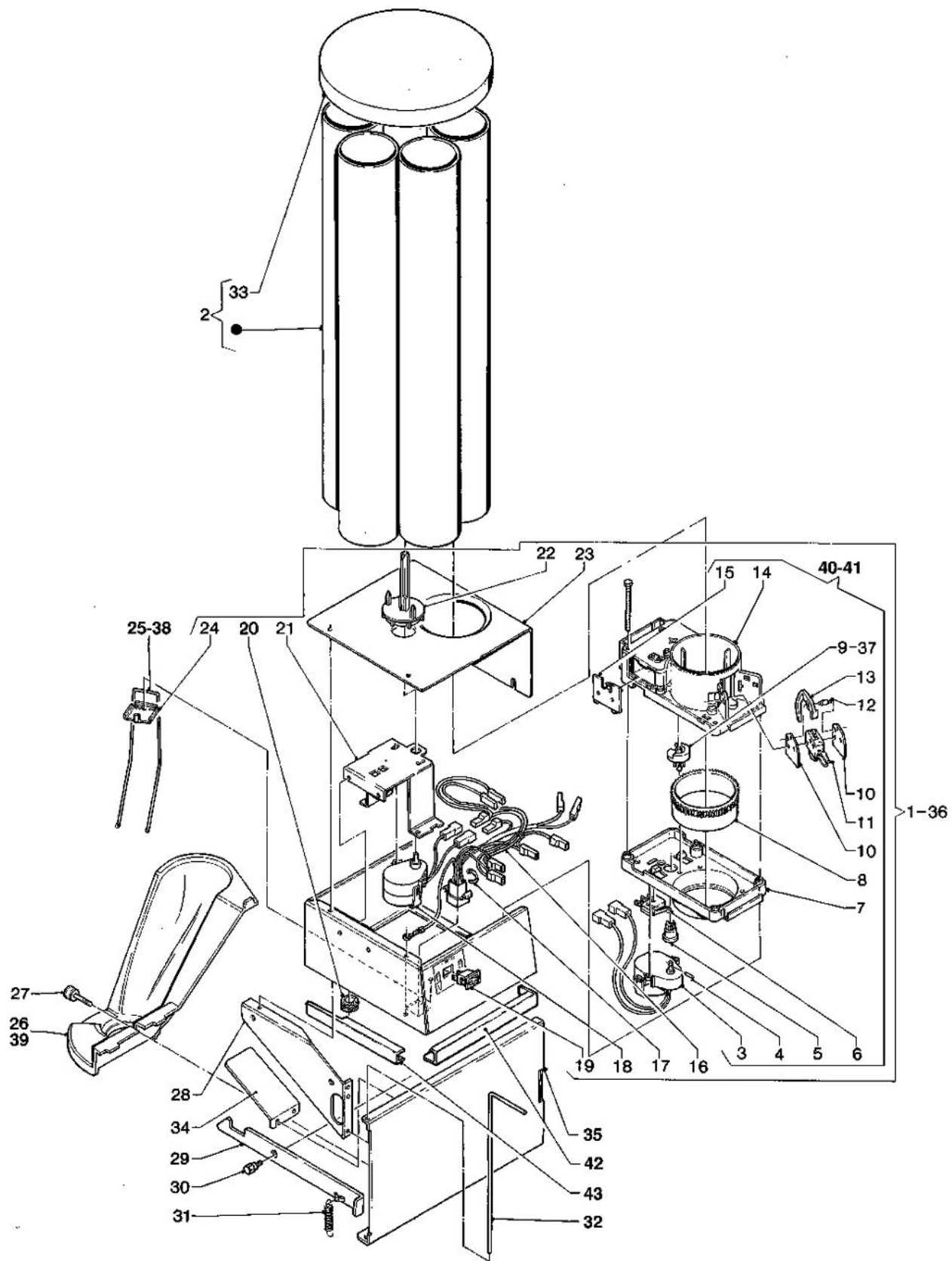


Table :07 - Cup dispenser

	Code	Description	Notes
1	0V0483	CUP DISPENSER DIAM.70-71	
2	099664	CUPS-CONTAINER	
3	099397	MOTOR REDUCTOR 6G/1 MIN.	
4	096904	ELASTIC PLUG 1.5X8	
5	098476	PINION	
6	0V1928	MICRO-SWITCH 'UL'	
7	098473	LOWER SHELL	
8	098477	TOOTHED RING	
9	098305	SCROLL DIAM.70/71	
10	092984	MICRO SUPPORT DISK	
11	092439	MICRO TYPE 'CHERRY'	
12	093419	MICRO DRIVE LEVER PIVOT	
13	092982	MICRO LEVER	
14	098474	UPPER SHELL	
15	098475	SHUTTER	
16	098704	CUP-DISTRIBUTOR-WIRING	
17	090148	CLIP	
18	098845	MOTOREDUCER	
19	097807	BUTTON	
20	098600	CHOCK	
21	098844	MOTOREDUCER SUPPORT	
22	098917	ROTATION DISC	
23	098846	CUPS-COVER	
24	093851	FORK BRACKET	
25	099633	FORK	
26	099542	CUP CHUTE 70-71	
27	099636	KNURL	
28	098850	CUPS-DISTRIBUTOR SQUARE SUPPORT	
29	098754	COUPLER LEVER	
30	090615	COLLAR SCREW	
31	093978	SPRING FOR ACTUATOR	
32	099631	PIN	
33	0V3658	CUP CONTAINER COVER	
34	099751	BRACKET	
35	0V1754	CUPS-SHELF	
36	0V0482	CUP DISPENSER DIAM. 73-74	
37	0V1659	SNAIL W/DIAM. 73-74	
38	0V0923	CUP FORK (UK)	
39	099543	CUP CHUTE 73-74	
40	0V2107	CUP DISPENSER 70/71	
41	0V3623	CUP DISPENSER 73/74	
42	0V3294	FRONT SPACER	

Table :07 - Cup dispenser

Code	Description	Notes
43 0V3295	REAR SPACER	

Table :08 - Sugar and spoons dispenser

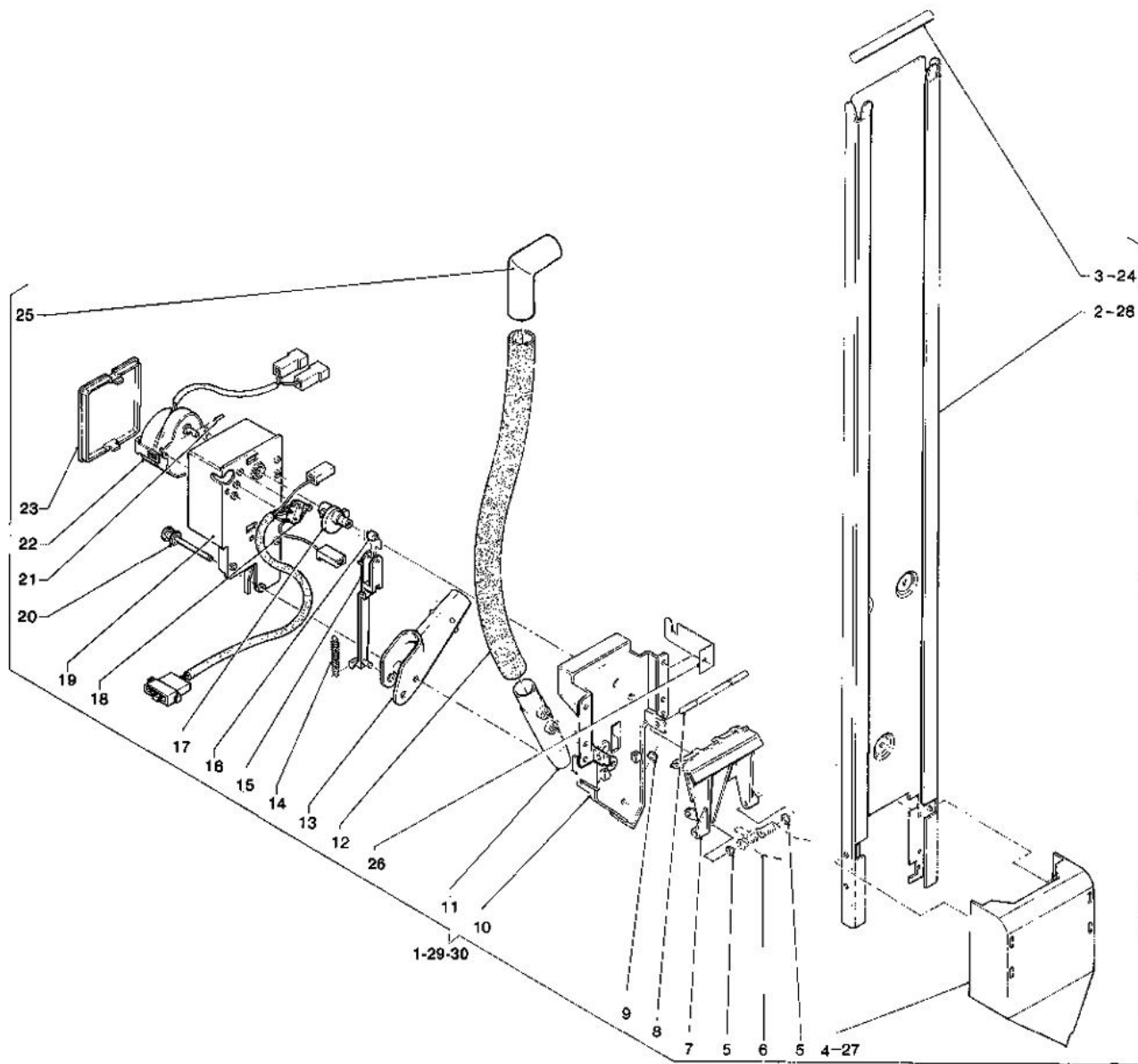


Table :08 - Sugar and spoons dispenser

	Code	Description	Notes
1	099600	SUGAR/STIRRING BAR DISPENSER	
2	099719	STIRRING-BAR PILLAR	INSTANT VERSION
2	099601	STIRRING BAR PILLAR	
3	090203	STIRRER BAR WEIGHT L=95	
4	098631	CHUTE FOR STIRRING	
5	091959	BENZING COLLAR DIAM MM4	
6	099602	SPRING	
7	099610	LEVER	
8	098352	STIRRING BARS EJECTING PIN	
9	098853	PASS-WIRE	
10	099607	BODY	
11	098356	SUGAR PIPE	
12	098719	PVC PIPE 14X19(A METER)	
13	099721	SUGAR NOZZLE	
14	099616	SPRING	
15	099605	ROD	
16	099604	ROLLER	
17	099606	CAM	
18	096355	MICRO SWITCH -UL -	
19	099608	SUPPORT	
20	0V2949	SUGAR SPOUT PIN	
21	096904	ELASTIC PLUG 1.5X8	
22	099397	MOTOR REDUCTOR 6G/1 MIN.	
23	099609	COVER	
24	099720	STIRRER BAR WEIGHT L=105	
25	0V0606	ELBOW	
27	0V3022	105 MM STIRRER CHUTE	
28	099887	STIRRING BAR PILLAR 105 MM	
29	0V0899	STIRRER DISPENSER 105 MM	
30	0V0898	SUGAR/STIRRER DISPENSER -105 mm	

Table :09 - Mixer and canister

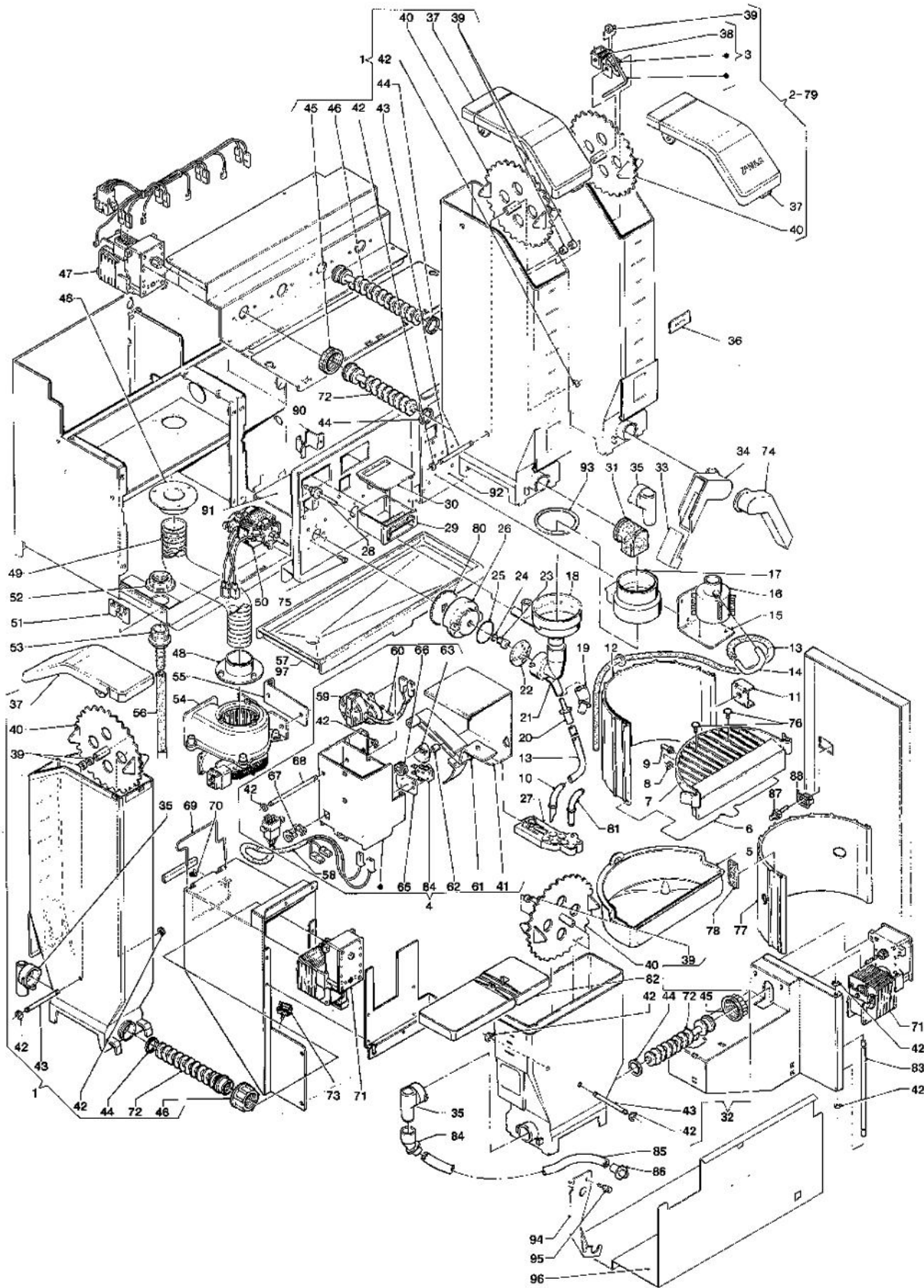


Table :09 - Mixer and canister

Code	Description	Notes
1	0V2173	NORMAL AUGER CONTAINER
2	0V2175	LONG AUGER CONTAINER+BEATER
3	099494	CANISTER-BEATER
4	099652	NOZZLES MOVING
5	094069	BASIN
6	094070	BASIN FASTENING SPRING
7	0V2228	BLACK GRATE
8	094067	DISK
9	094068	REAR FASTENING PIVOT
10	097953	POINTED NOZZLE
11	094061	GRATE FASTENING BRACKET
12	094060	BACKPLATE NECK
13	097511	SILICONE HOSE 6X9 BROWN
14	097970	PIPE FOR COIL
15	097918	COIL SUPPORT
16	097923	COIL FOR TEA
17	097520	POWDER INLET FUNNEL BROWN
18	098191	WATER-FUNNEL CUT
19	097913	ELBOW FOR MIXER
20	097914	COFFEE CHOKE
21	097912	CONVEYOR FOR MIXER
22	097916	MIXER VENTILATOR
23	097917	BUSH SEAL
24	099880	GASKET
25	094540	GASKET O-RING 3125
26	097911	FLANGE FOR MIXER
27	098067	SUPPORT FOR INSTANT NOZZLES
28	099329	FUNNEL NOZZLE D. 3.4
29	099330	POWDERS DRAWER
30	099331	DRAWER LID
31	096868	SQUARE STRAIGHT PIPETTE
32	099334	POWDERS CANISTER
33	099803	LONG CONVEYOR COVER
34	098813	LEFT CONVEYOR L=55
35	098939	ROUND STRAIGHT PIPETTE
36	097502	NAMEPLATE GROUP CONTAINER INSTANT P
37	0V2048	POWDER CONTAINER LID
38	099442	SPRING
39	098812	SPACER
40	095936	WHEEL
41	0V3826	SPOUT COVERING
42	091959	BENZING COLLAR DIAM MM4

Table :09 - Mixer and canister

Code	Description	Notes	
43	0V1962	PIN FOR WHEEL	
44	095829	GASKET O-RING	
45	095849	CONTAINER RING NUT	
46	098608	LONG SCROLL	
47	251917	45 RPM 230V REDUCTION GEARMOTOR	from serial number 50600868
47	099333	MOTORDOSER (45 REVOLUTIONS)	until serial number 50600867
47	099332	MOTORDOSER (65 REVOLUTIONS)	until serial number 50600867
47	251918	65 RPM 230V REDUCTION GEARMOTOR	from serial number 50600868
48	098703	VENTILATOR PIPE CONNECTION D38	
49	096459	HOSE DIAM 32	
50	098808	MOTORMIXER	
51	098728	PIPES-SUPPORT	
52	099643	COLLAR	
53	099642	RUBBER HOLDER	
54	098583	ELECTROVENTILATOR	
55	098806	SQUARE SUPPORT VENTILATOR	
56	093628	HOSE VIPLA TRANSPARENT DIAM MM 14X1	
57	099637	CONTAINER	
58	099655	WIRING	
59	099617	MOTOREDUCER 12G/1 MIN.	
60	096904	ELASTIC PLUG 1.5X8	
61	099541	ROD	
62	099635	ROLLER	
63	099540	CAM	
64	0V1931	MICROSWITCH 'UL'	
65	090681	INSULATING DISK	
66	090021	WHIPPING DIAM 10.5 MM	
67	096653	ANTITEAR WHIPPING	
68	093937	CONTAINER WHEEL PIVOT 6500	
69	099632	STOPPING	
70	093754	BENZING COLLAR QUICKBLOCK BQ DIAM MM	
71	251922	45 RPM 230V REDUCTION GEARMOTOR	from serial number 50600868
71	098715	MOTORDOSER 45 G.	until serial number 50600867
72	098609	SCROLL	
73	098165	WIRE-FIXING	
74	099102	RIGHT POWDERS CONVEYOR	
75	099773	SCREW	
76	099184	CUP POSITIONING PIN	
77	0V2225	BACKPLATE NECK WITH HOLE	
78	0V0906	CATADIOPTRIC PLATE	
79	0V2177	NORMAL AUGER CONTAINER+BEATER	
80	099889	DISK	

Table :09 - Mixer and canister

	Code	Description	Notes
81	097922	NOZZLE	
82	099466	LID FOR CONTAINER	
83	099373	SHELF PIN	
84	0V0606	ELBOW	
85	098719	PVC PIPE 14X19(A METER)	
86	0V1604	POWDER OUTLET TUBE	
87	094159	FIXING PLUG	
88	094026	FEMALE CLIP	
90	0V0605	NOZZLE SUPPORT	
91	099896	PROTECTION	
92	0V4153	RIGHT MIXER SUPPORT	
93	097523	DEFLECTOR RING MIXER BROWN	
94	0V3549	POWDER PIPE SUPPORT	
95	096977	KNURL	
96	0V3827	LOWER COVER	
97	099695	CONTAINER - INSTANT -	

Table :10 - Grinder doser unit

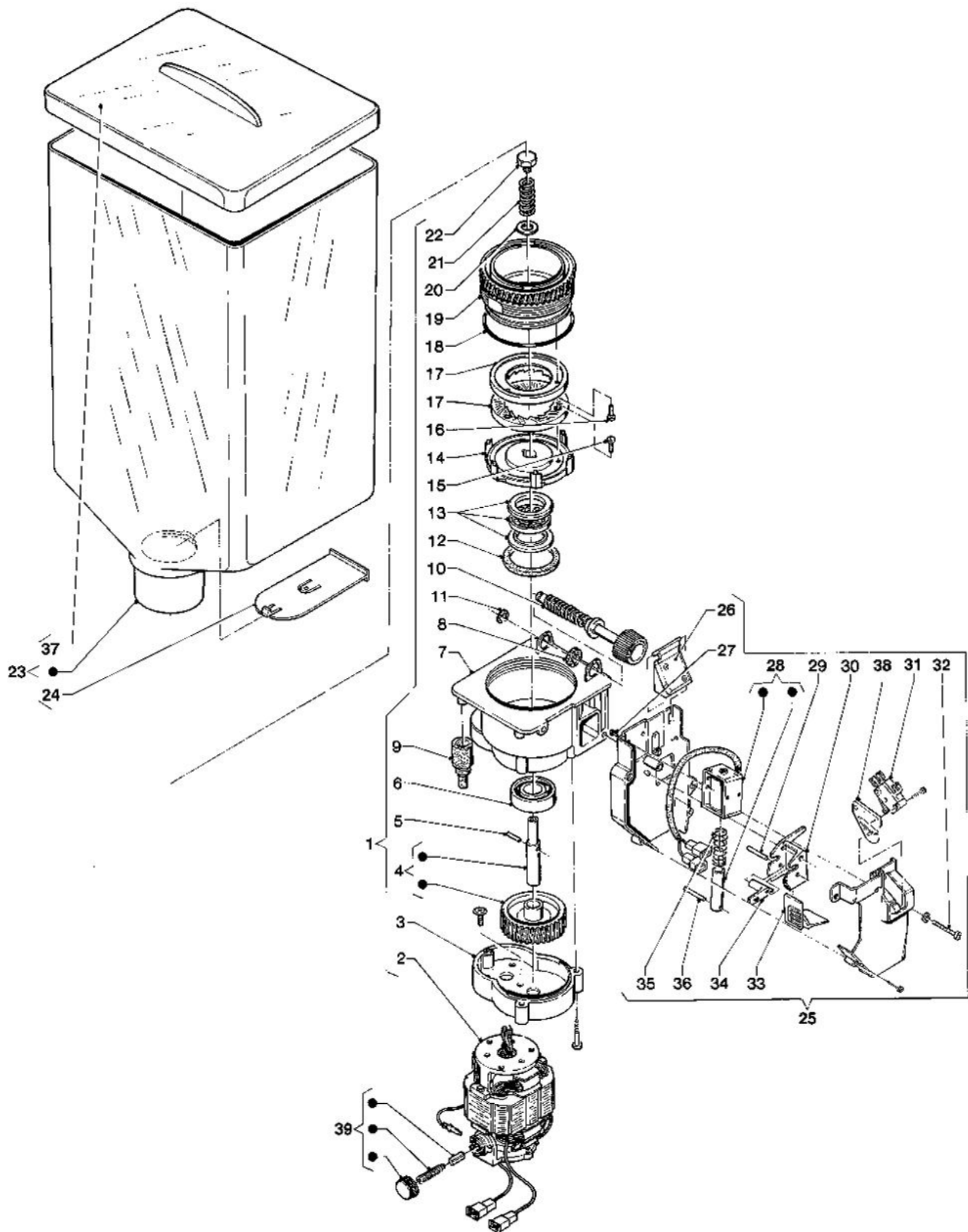


Table :10 - Grinder doser unit

	Code	Description	Notes
1	099336	GRINDER	
2	099732	GRINDER MOTOR	
3	099468	SUPPORT	
4	099470	SHAFT WHEEL	
5	098293	ELASTIC PLUG	
6	095803	RADIAL BEARING	
7	099469	CAP	
8	099457	WASHER	
9	099484	LITTLE RUBBER	
10	099474	REGULATION SCREW	
11	093171	OUTER FIXING COLLAR DIAM MM6	
12	093271	COFFEE JUNK RING	
13	093187	THRUST BEARING	
14	095802	GRINDER HOLDER IMPELLER	
15	095809	SELF-THREADING SCREW (M4)	
16	097879	NICKELPLATED SCREW	
17	095840	GRINDER	
18	095805	GASKET O-RING	
19	099473	GRINDER HOLDER	
20	096988	WASHER	
21	099471	SPRING	
22	099472	LEFT SCREW	
23	099726	COFFEE-CANISTER COMPLETE	
24	098630	ROLL-UP FOR CONTAINER	
25	099337	COFFEE DOSER	
26	099475	ACTUATOR	
27	092657	CLOSS SLOT SCREW 3X6TC	
28	098716	ELECTROMAGNET 220V	
29	098822	PIN FOR LEVER	
30	098642	SHUTTER COFFEE-DOSER	
31	0V2131	BURGESS MICRO-SWITCH	
32	096097	SCREW	
33	098643	RULE COFFEE-DOSES	
34	098644	LEVER FOR RULE	
35	098696	SPRING DOSER ELECTROMAGNET	
36	093832	ROD PIVOT	
37	0V1357	CONTAINER COVER	
38	0V2082	ADAPTER PLATE	
39	0V3229	MOTORBRUSH KIT	

Table :11 - Coffee Unit 72000M

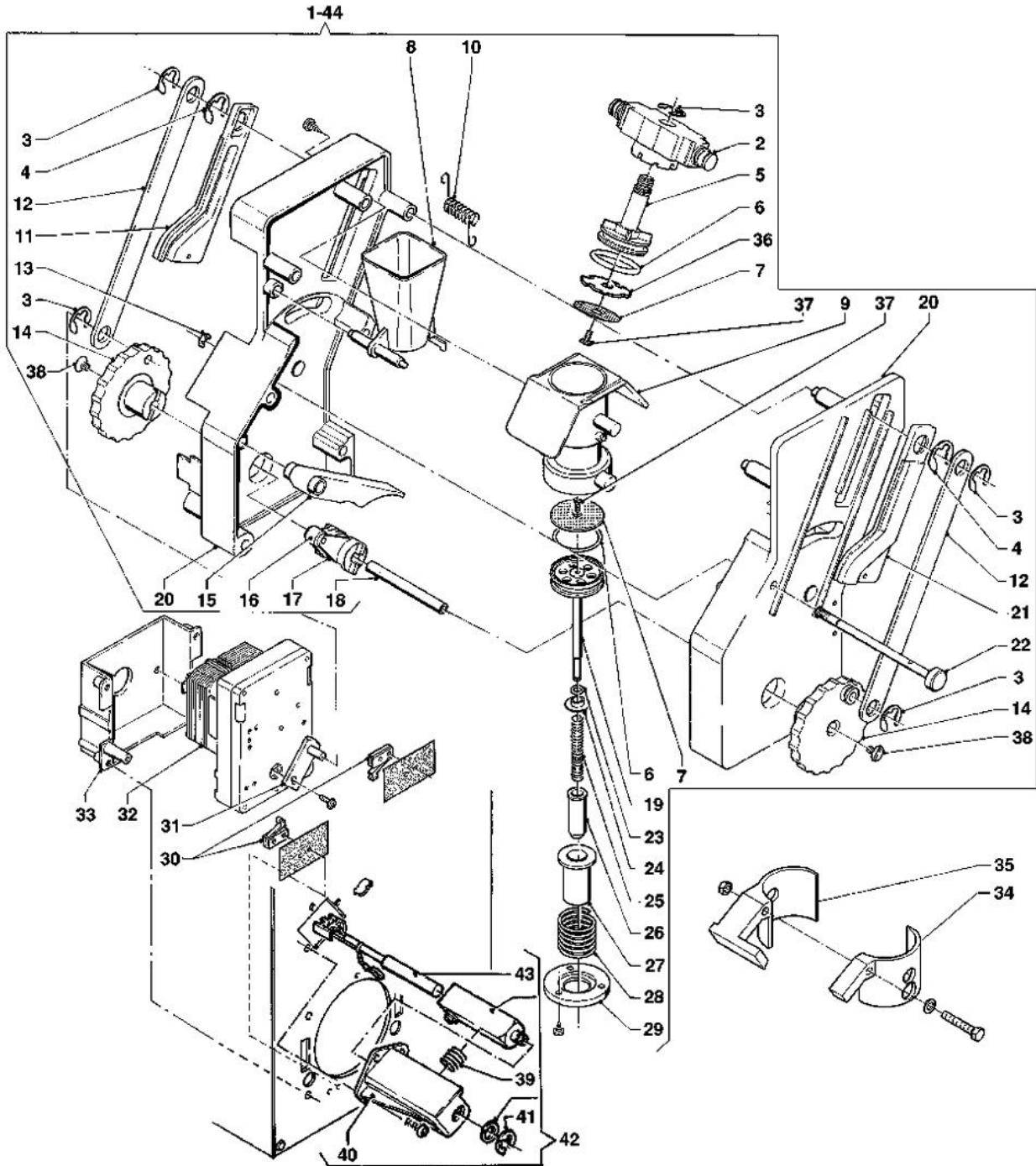


Table :11 - Coffee Unit Z2000M

	Code	Description	Notes
1	251687	COFFEE-GROUP Z3000	
2	098568	CROSS-BAR	
3	092717	FIXING COLLAR DIAM MM10	
4	096569	FIXING COLLAR DIAM 12	
5	098577	UPPER PISTON	
6	093167	SILICONE GASKET OR 4118 .	
7	098687	COFFEE FILTER	
8	098570	COFFEE CHUTE	
9	0V1715	BREWING CHAMBER W/PLUG	
10	098920	SCRAPER	
11	098571	REAR SLEDGE	
12	098565	TRACE FOR PISTON COMMAND	
13	098818	STOPPING RING D.4	
14	098573	CRANK	
15	098575	OSCILLATING LEVER	
16	098692	ROTATING LEVER ROLL	
17	098574	ROTATING LEVER	
18	098693	ROD CRANK BLOCKING	
19	099490	LOWER PISTON	
20	0V1714	FRONT AND REAR SHOULDER	
21	098572	FRONT SLEDGE	
22	098694	ROD WITH KNURL	
23	090421	GASKET OR 2025	
24	098690	CONTROL BUSH	
25	098688	PISTON RETURN SPRING	
26	098691	LOWER PISTON GUIDE	
27	098567	LID FOR SPRING	
28	098689	PREINFUSION SPRING	
29	098569	FLANGE FOR SPRING	
30	096355	MICRO SWITCH -UL -	
31	098763	CRANK WITH PIN	
32	098708	MOTOREDUCER	
33	098566	MOTOREDUCER SUPPORT	
34	0V1784	FRONT PANEL	
35	0V1785	REAR PANEL	
36	0V1789	WATER DEFLECTOR	
37	251235	STEEL SCREW M3X10MM	
38	0V3889	SCREW 6X14	
39	0V1788	CONTACT SPRING	
40	0V1787	SUPPORT	
41	987948	LOCKING WASHER	
42	0V1783	Z2000M HEATER WITH SUPPORT	

Table :11 - Coffee Unit Z2000M

Code	Description	Notes
43	0V1786	25 WATT 110/265 V RESISTOR
44	252506	Z3000 WITH HEATER(OPEN DURING STAND-BY POSITION)

Table :12 - Electrical junction box and connectors

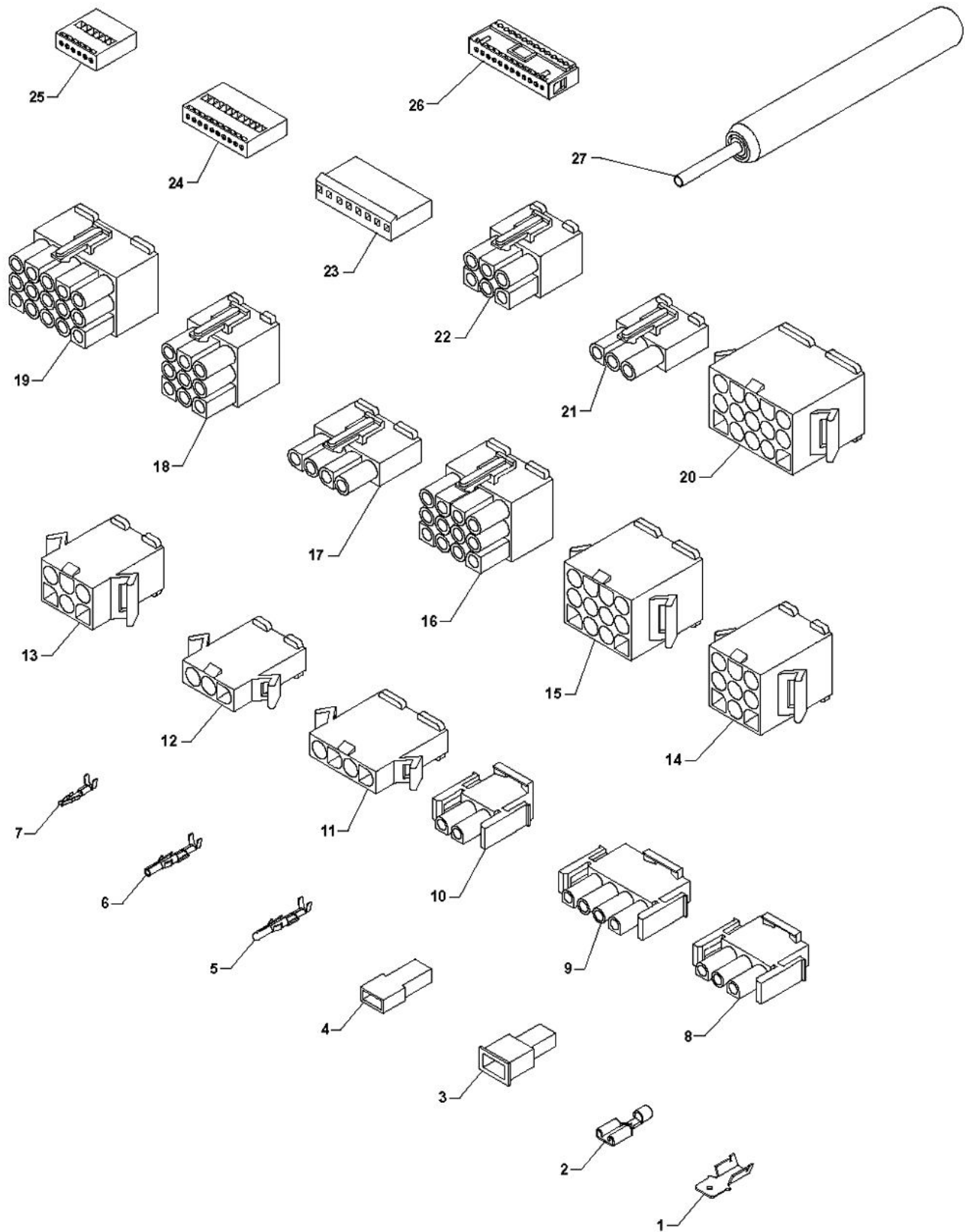


Table :12 - Electrical junction box and connectors

	Code	Description	Notes
1	091159	TERMINAL FASTON MALE BRASS	
2	090959	FASTON W/O TONGUE	
3	091192	FASTON COVER	
4	090247	FEMALE FASTON COVER	
5	095955	TERMINAL MALE	
6	096136	TERMINAL FEMALE	
7	094405	TERMINAL FEMALE 2.5	
8	094954	FEMALE HOLDER CONNECTOR 3-WAYS	
9	098062	4-WAY CONNECTOR MATE-N-LOK AMP	
10	094955	FEMALE HOLDER CONNECTOR 2-WAYS	
11	0V0809	4-PIN CONNECTOR/P MOLEX 3191	
12	0V0808	3-PIN CONNECTOR/P MOLEX 3191	
13	0V0810	6-PIN CONNECTOR/P MOLEX 3191	
14	0V0811	9-PIN CONNECTOR/P MOLEX 3191	
15	0V0812	12-PIN CONNECTOR/P MOLEX 3191	
16	0V0818	12-PIN CONNECTOR/P MOLEX 3191	
17	0V0815	4-PIN CONNECTOR/P MOLEX 3191	
18	0V0817	9-PIN CONNECTOR/P MOLEX 3191	
19	0V0819	15-PIN CONNECTOR/P MOLEX 3191	
20	0V0813	15-PIN CONNECTOR/P MOLEX 3191	
21	0V0814	3-PIN CONNECTOR/P MOLEX 3191	
22	0V0816	6-PIN CONNECTOR/P MOLEX 3191	
23	093993	CHASER CONNECTOR FEMALE HOLDER 10-W	
24	094404	FEMALE HOLDER CONNECTOR 12-WAYS 2.5	
25	094712	FEMALE HOLDER CONNECTOR STOKO 6-WAY	
26	094961	FEMALE HOLDER CONNECTOR P.I. 12-W	
27	0V0820	MOLEX CONTACT PULLER	