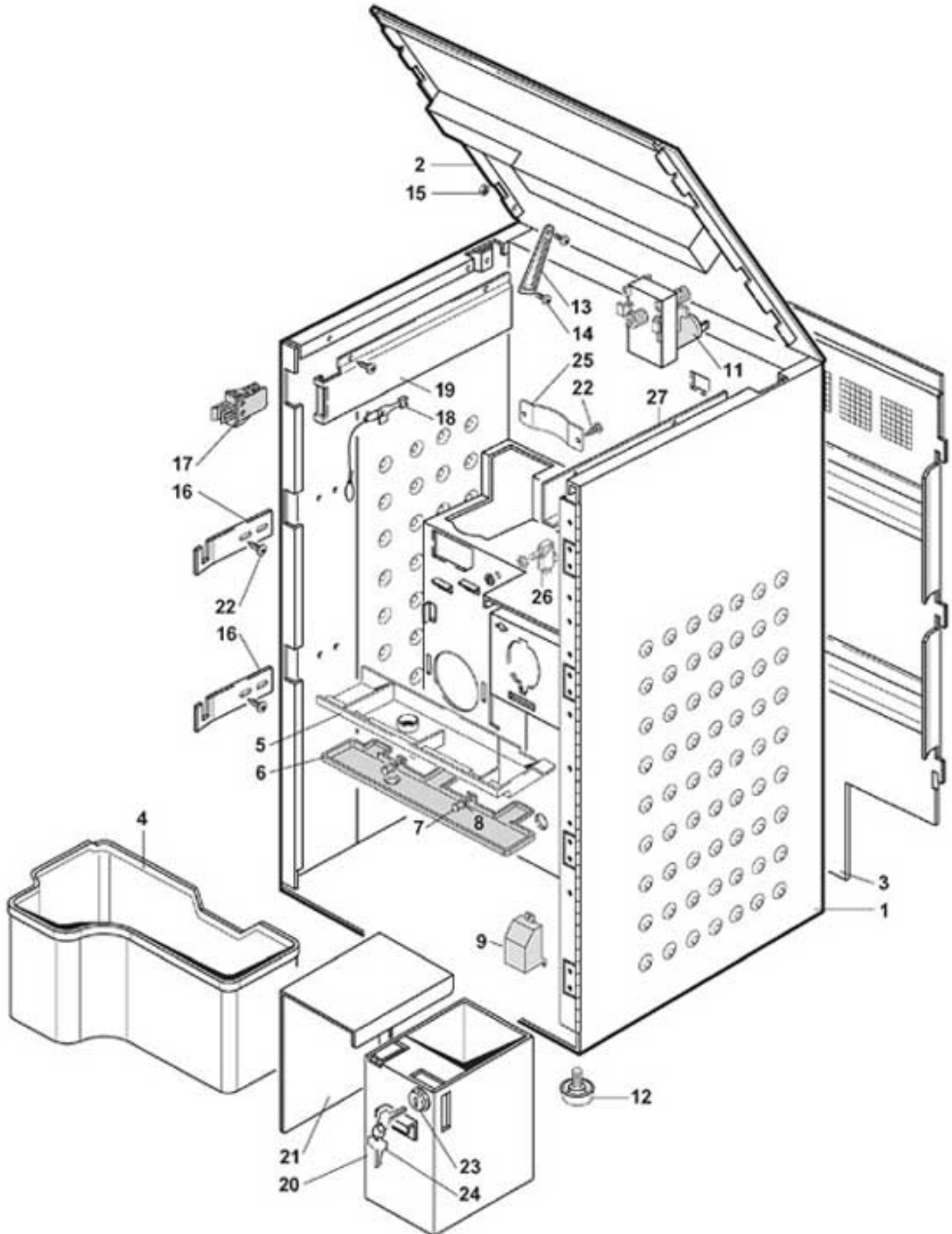


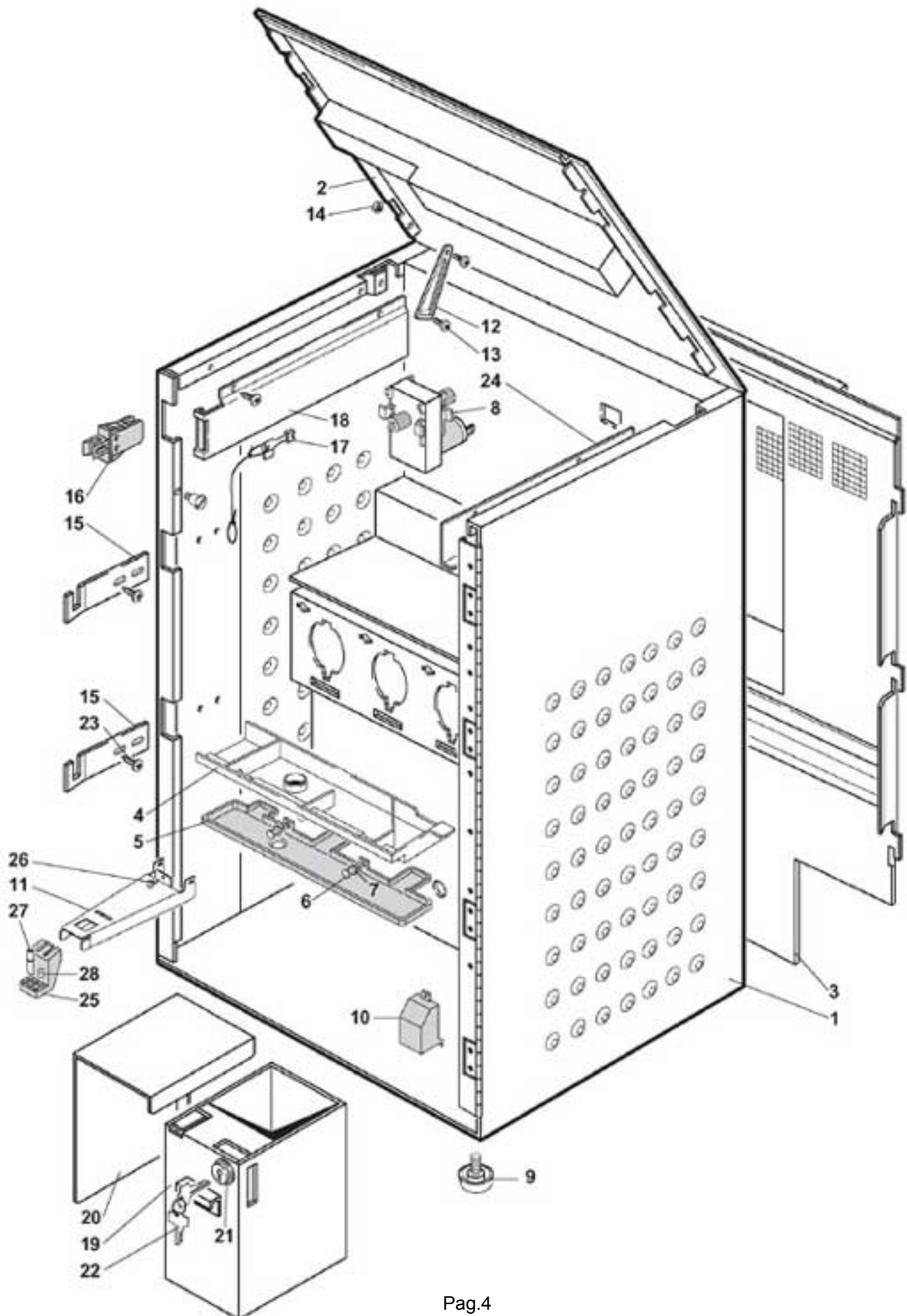
XL CABINET E



XL CABINET E

Pos.	Code	Description
1/a	0010021005	E COMPLETE WELDED CABINET
1/b	0010021105	S/B E COMPLETE WELDED CABINET
2/a	0010021021	E UPPER COVER
2/b	0010021082	E UPPER COVER
3	0010021022	E REAR DOOR
4	0010021026	GROUNDS COLLECTION TRAY
5	0010021061	EXHAUST DRAWER
6	0010021049	E POWDERS COLLECTION TRAY
7	VIT0007108	BUTTON
8	VIT0007109	BUSH
9	0010022165R	SUPPORTO CONTATTI VASCHETTA ASSIEMATO
10		
11	0090002113	24V DC 97RPM PRODUCT GEAR MOTOR
12	0010020169	CABINET FEET ASSEMBLY
13/a	0010020173	COVER HOOKING CONNECTING ROD
13/b	VIT0010007	200 mm RELEASE PIN
14/a	4060010126	PLASTIC COIN DRAWER BOX
14/b	VIT0000106	M 4x8 TSP SCREW
15	VIT0004503	NUT M 4
16	0010021068	LOCK HOOK COUNTERPART
17	ELE0002009	SAFETY SWITCH
18	0270011109CL	SERVICE KEY ASSEMBLY
19/a	0270011556	DOOR SWTICH SUPPORT
19/b	0270011557	DOOR SWITCH RACEWAY
20	0030006158	COIN BOX
21	0030006157	COIN BOX COVER
22	VIT0000030	SCREW TCB M4 x 7
23	SER0001005	LOCK BRACKET
24	SER0000020	LOCK
25	0010021073	GRINDER CLOSING
26	ELE0001906	161 E R 24.1 MICRO LEVER
27	0010021077	R.H. WIRING RACEWAY

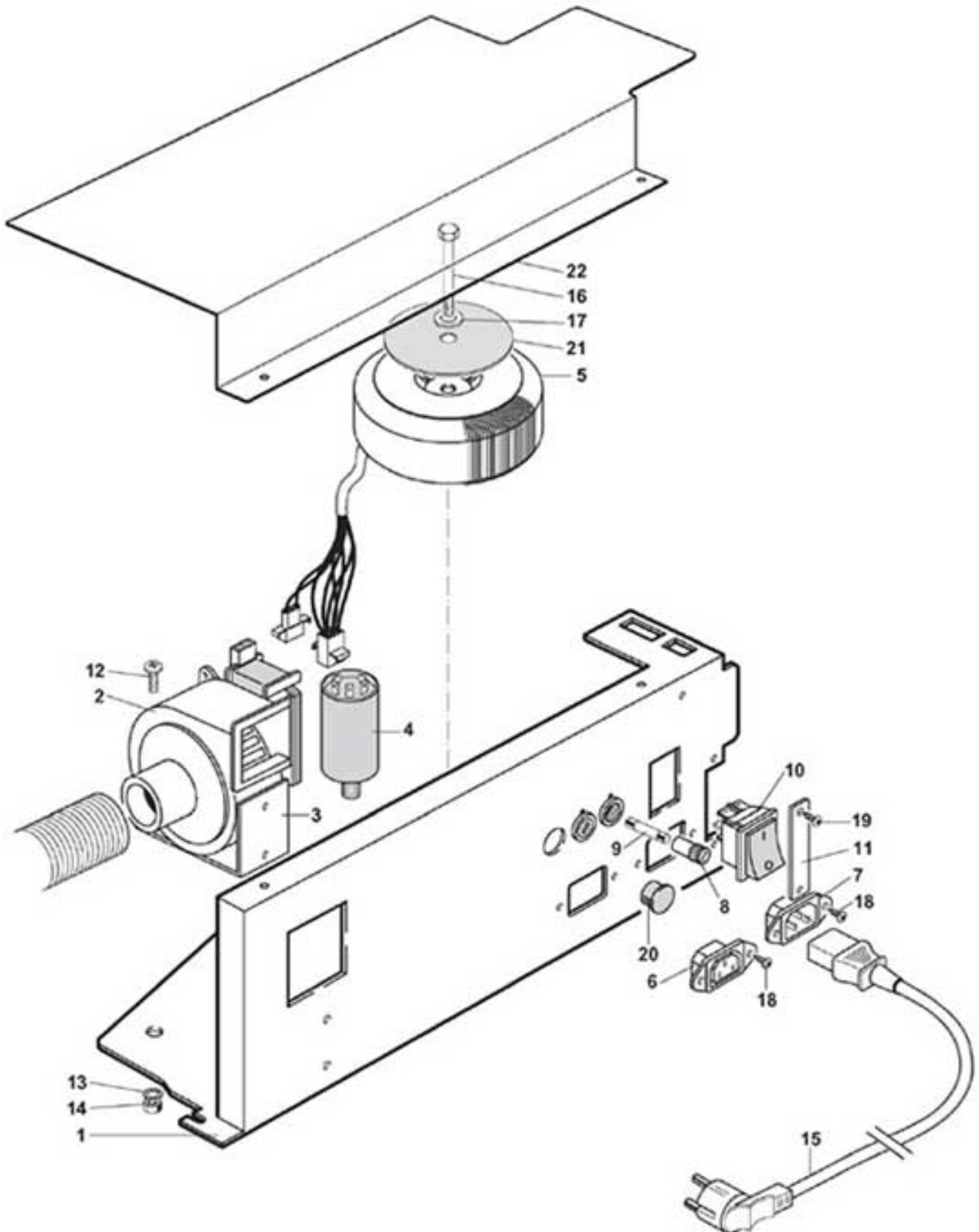
XL CABINET H



XL CABINET H

Pos.	Code	Description
1	0010021055	H COMPLETE WELDED CABINET
2/a	0010021062	H UPPER COVER
2/b	0010021085	H UPPER COVER
3	0010021064	REAR DOOR ASSEMBLY
4	0010021061	EXHAUST DRAWER
5	0010021047	H POWDER COLLECTION TRAY
6	VIT0007108	BUTTON
7	VIT0007107	BUSH
8	0090002113	24V DC 97RPM PRODUCT GEAR MOTOR
9	0010020169	CABINET FEET ASSEMBLY
10	0010022165R	SUPPORTO CONTATTI VASCHETTA ASSIEMATO
11	0380011228	SUPPORT LOCK
12/a	0010020173	COVER HOOKING CONNECTING ROD
12/b	VIT0010007	200 mm RELEASE PIN
13/a	4060010126	PLASTIC COIN DRAWER BOX
13/b	VIT0000106	M 4x8 TSP SCREW
14	VIT0004503	NUT M 4
15	0010021068	LOCK HOOK COUNTERPART
16	ELE0002009	SAFETY SWITCH
17	0270011109CL	SERVICE KEY ASSEMBLY
18/a	0270011556	DOOR SWITCH SUPPORT
18/b	0270011557	DOOR SWITCH RACEWAY
19	0030006158	COIN BOX
20	0030006157	COIN BOX COVER
21	SER0001005	LOCK BRACKET
22	SER0000020	LOCK
23	VIT0000030	SCREW TCB M4 x 7
24	0010021077	R.H. WIRING RACEWAY
25	0380010655NA/L	PRODUCT PIPES SUPPORT WITH HOLE
26	VIT0000030	SCREW TCB M4 x 7
27	0380010657NA	DISPENSER PIPE (BLACK)
28	0380010656NA	PLUG (BLACK)

XL REAR CABINET



XL REAR CABINET

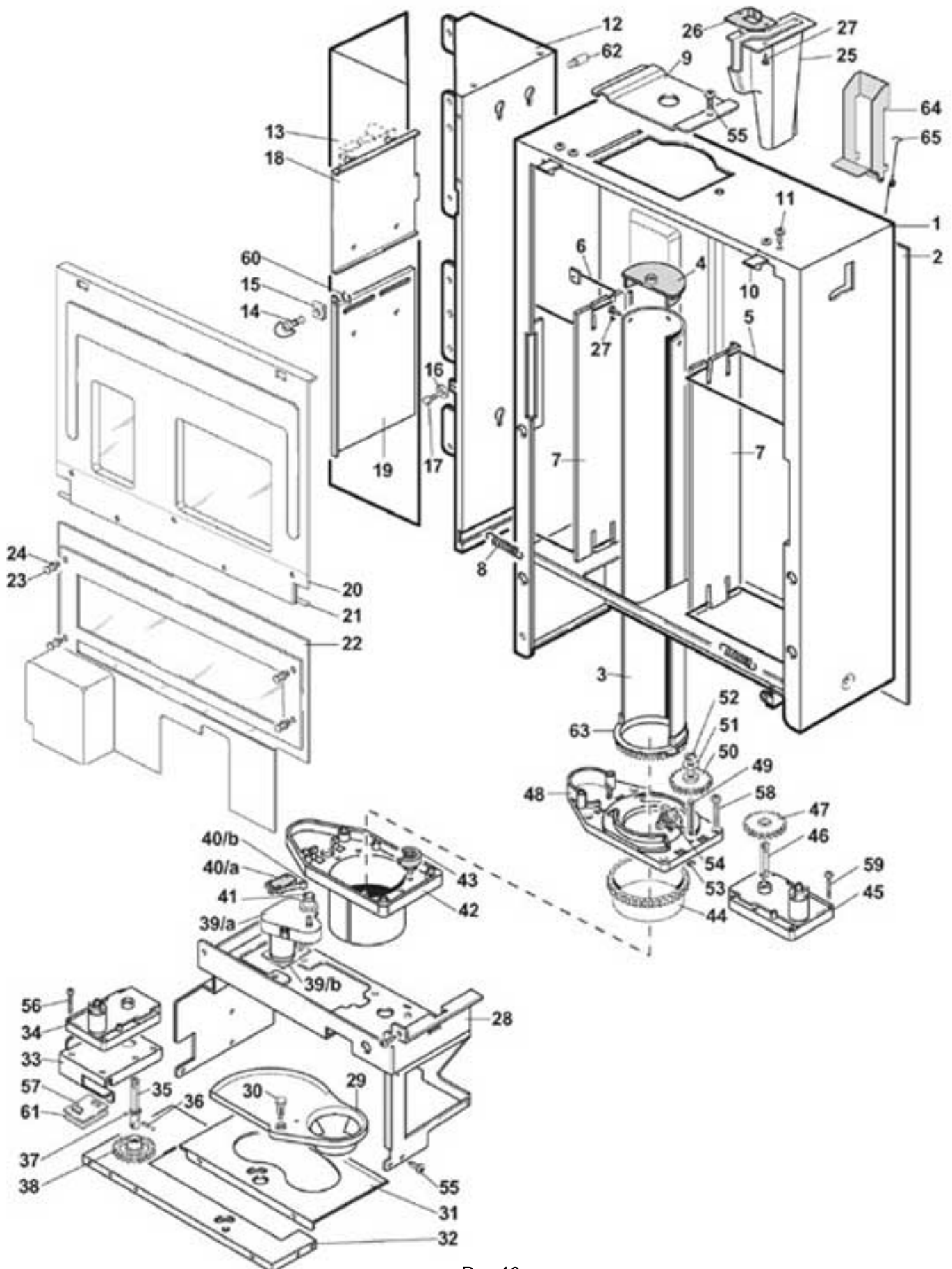
Pos.	Code	Description
1	0010021016	ELECTRIC COMPONENTS SUPPORT
2	ELE0000459	CENTRIFUGAL EXHAUSTER
3	0010020145	EXHAUST SUPPORT
4	ELE0009055	ANTIPARASITIC FILTER
5	ELE0000565R	150VA E.230V-U.26-8,6V TOROIDAL TRANSFORMER
6	ELE0002312	IEC 10A 250V SOCKET
7	ELE0002310	IEC 15A 250V SOCKET
8	ELE0003507	FUSES HOLDER
9	ELE0003024	SLOW-BLOW CERAMIC TYPE 6.3A FUSES 5 x 20
10	ELE0002014	BIPOLAR SWITCH 15A 250V
11	0010021071	PLUG FOR CONNECTOR
12	VIT0000013	M 4x12 TCB SCREW
13	VIT0003103	WASHER tab D. 4.3
14	VIT0004503	NUT M 4
15/a	ELE0055008	POWER LEAD 3X1 WITH IEC PLUG AND SCHUKO SOCKET
15/b	ELE0055009	POWER LEAD 3X1 WITH IEC PLUG AND CH SOCKET
15/c	ELE0055010	POWER LEAD 3X1 WITH IEC PLUG AND GB SOCKET
15/d	ELE0055013	POWER LEAD WITH IEC PLUG AND ISRAEL SOCKET
16	VIT0000239	M 6x50 H.H. SCREW
17	VIT0003005	6.4x12.5x1.6 FLAT WASHER
18	VIT0002009	SCREW T.C.B. 3,5 x 6,5
19	VIT0000002	M 3x16 TCB SCREW
20	GUA0011010	PLUG
21	GUA0005016	GUARNIZIONE GOMMA TRASFORMATOR
22	0010021074	H ELECTRIC OMONENTS PROTECTION
100	0010021024CL	ELECTRIC COMPONENTS SUPPORT ASSEMBLY assieme

XL EXTERNAL DOOR

Pos.	Code	Description
1/a	0020040005R	BLACK COMPLETE DOOR
1/b	0020040005R1	RAL 9006 COMPLETE DOOR
2	0400008615	LIQUIDS COLLECTION TRAY
3	0400008616	CUPS ROOM GRATE
4	VIT0002469	SCREW TC 3.5 x 10
5	0020027012	COIN RETURN HATCH
	0020027012CM	COIN RETURN HATCH MERCEDES GREY RAL 9006
	0020027012NA	COIN RETURN HATCH BLACK
6	0020040061	COINS RETURN HATCH STOP
7	0020040010	COINS RETURN TRAY
8	0020027052	COINS RETURN HATCH COUNTER-WIGHT
9	VIT0002401	SCREW TCB 3.5 x 9.5
10	0020040041	FRONT DOOR
11	0020040033	DOOR SUPPORT
12	0020040062	DOOR RETURN SPRING
13	0020027025NA	COINS INLET/RETURN BLACK TAB
14	0020027026NA	COINS RETURN BLACK PUSH-BUTTON
15	0020018077	COIN RETURN BUTTON SPRING
16	0020040026	KEY PIN
17	0020040025	KEY STOP PLATE
18	0020040045	DISPLAY SUPPORT PLATE
19	0020040006	12-KEY KEYBOARD
20	0020040051	2P SUGAR KEYBOARD
21		See table CONTROL AND POWER LOGIC
22		See table CONTROL AND POWER LOGIC
23	0020040039	THERMO-SHAPED PHOTO PANEL
24/a	0020040081	H SILK-SCREEN CAPPUCCINO PANEL
24/b	0020040082	E SILK-SCREEN CAFE BLACK PANEL
25	0180012158	LAMP/BALLAST SUPPORT
26/a	ELE0009108	L 8 W 20 LAMP
26/b	ELE0009109	STARTER
27	ELE0009107	BIPLUG G 13 LAMP HOLDER
28	ELE0009018	L 8 W 20 LAMP
29	0020040009	LAMP PROTECTION
30	0020040008	BALLAST PROTECTION
31	ELE0009116	220 V BALLAST
32	SER0000001	BOX 5 20 mm LOCK
33	SER0001005	LOCK BRACKET
34	VIT0000030	SCREW TCB M4 x 7
35	0180012133	PANEL LOCKING BRACKET
36	0020040075	CARILLON PIN
37		See table CONTROL AND POWER LOGIC
38	0020040076	SCREW FOR CARILLON PIN
39	VIT0004503	NUT M 4
40	VIT0007013	M 4 NUT
41	VIT0003103	WASHER tab D. 4.3
42	0020040066	LED CONTROL PANEL
43	0400008627R	TRAY FLOATER ASSEMBLY
100	0020040012	CABLED LAMP/ BALLAST SUPPORT

assieme

XL CUPS LOADER



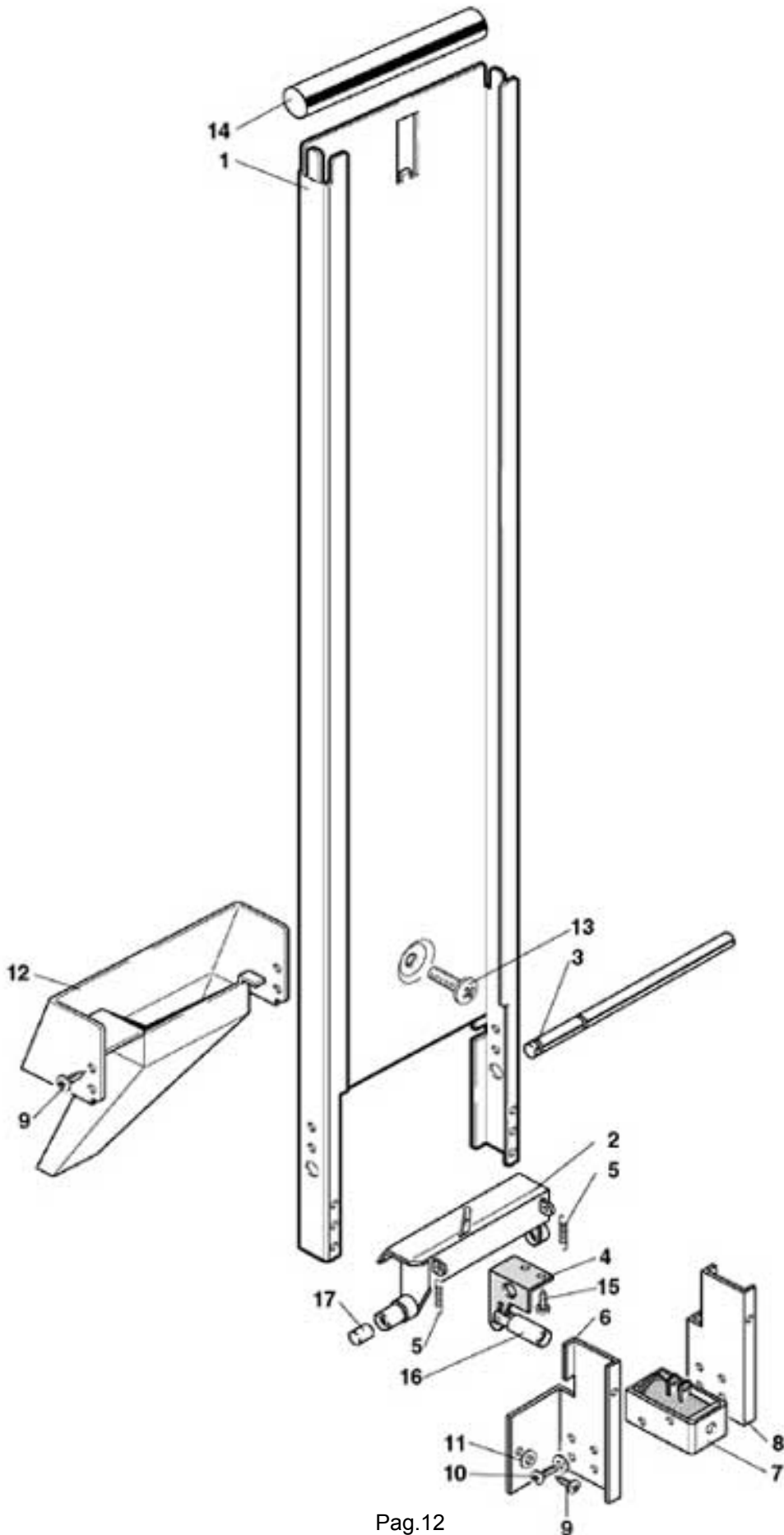
XL

CUPS LOADER

Pos.	Code	Description
1	0180012105	CUPS LOADER STRUCTURE
2	0180012112	FRONT SPACER AND COVERING
3	0180012108	CENTRAL COLUMN
4	0180005007	CENTRAL COLUMN GUIDE
5	0180012153	LONG WALL-PUSHER ARM
6	0180012154	SHORT WALL-PUSHER ARM
7	0180005009	LOADER SHORT WALL
8	0180005011	LOADER WALL SUPPORT SPRING
9	0180012113	COLUMN OMEGA
10	0180012116	COVER HOOK
11	VIT0007021	3 x 6 ALUMINIUM RIVET
12	0180012121	COIN BOX CUPS LOADER SUPPORT
13	0180012136	COIN BOX PROTECTION ASSEMBLY
14	VIT0009163	RING TYPE RB 82-16-220-16
15	VIT0009155	RECEPTACLE 82-47-113-15
16	0180012156	SPACER FOR COIN BOX PROTECTION CLOSING
17	0180012157	COIN BOX PROTECTION CLOSING
18	0180012151	CPU SUPPORT PLATE
19	0180012127	COIN BOX SUPPORT
20	0180012131	MOBILE COVER SUPPORT
21	0180012130	MOBILE COVER HINGE
22	0180012118	FIXED COVER
23	VIT0007105	BUTTON It's part of kit VIT0007104R
24	VIT0007104	BUSH It's part of kit VIT0007104R
25	0180012147	COINS CHUTE
26	0180012161	COINS CHUTE FIXATION PLATE
27	VIT0002401	SCREW TCB 3.5 x 9.5
28	0180012109	DB SUPPORT
29	0400008606R	CUPS MOBILE SUPPORT
30	0400008624	CUPS SUPPORT PIN
31	0400008610	CUPS MOVEMENT FRAME
32	0180012142	CUPS MOVEMENT SUPPORT
33	0400008625	CUPS MOVEMENT MOTOR SUPPORT
34	0090002109	24V D.C. GEAR MOTOR 24 R.P.M.
35	0400008620	GEAR CONNECTION
36	0400008626	CUPS MOVEMENT SPRING
37	VIT0009306	BALL 5/32
38	0400008619	Z25 GEAR
39/a	0090002512	24 V DC 10 ROM GEAR MOTOR HEXAGONAL SHAFT
39/b	SCH0003740	DC MOTORS FILTER
40/a	ELE0001522	1-WAY 16 A 250 V MICROSWITCH
40/b	ELE0001906	161 E R 24.1 MICRO LEVER
41	0190006007	FGEAR MOTOR PINION
42	0190006003	CUPS LOADER LOWER PLATE
43	0190006005	CAM WITH PINION
44	0190006004	Z 66 RING NUT
45	0090002114	GEAR MOTOR MOD.930 11RPM 24V DC
46	0380010421	GEAR MOTOR SHAFT
47	0180011544	Z.30 PINION WITH SQUARE SEAT
48	0190006002	CUPS LOADER UPPER PLATE
49	0180011533	DB SHAFT FOR Z.30 PINION
50	0190012108	Z.30 PINION
51	VIT0003303	WASHER D.6.5 x 18 x 1.5
52	VIT0006503	D.4 RADIAL STOP RING
53	VIT0006502	D.3.2 RADIAL STOP RING
54	SCH0004220	CUP DETECTOR
55	VIT0000030	SCREW TCB M4 x 7
56	VIT0002001	TCB 2.9x 6.5 TAPPING SCREW
57	SCH0004000	MAGNETIC DETECTORS
58	VIT0000019	M 5x35 TCB SCREW
59	VIT0000015	M 4x25 TCB SCREW
60	VIT0006504	D.5 RADIAL STOP RING
61	0400008634	CUPS MOVEMENT BOARD INSULATION
62	0180012159	DOOR CONTRAST SPACER
63	0180011762	CENTRAL COLUMN RING NUT
64	0020040027	COIN RETURN LEVER
65	0030010081	COIN RETURN LEVER SPRING
100	0400008625R	CUPS MOVEMENT MOTOR SUPPORT
101	0180012100CL	CUPS LOADER / DIPENSER ASSEMBLY

assieme

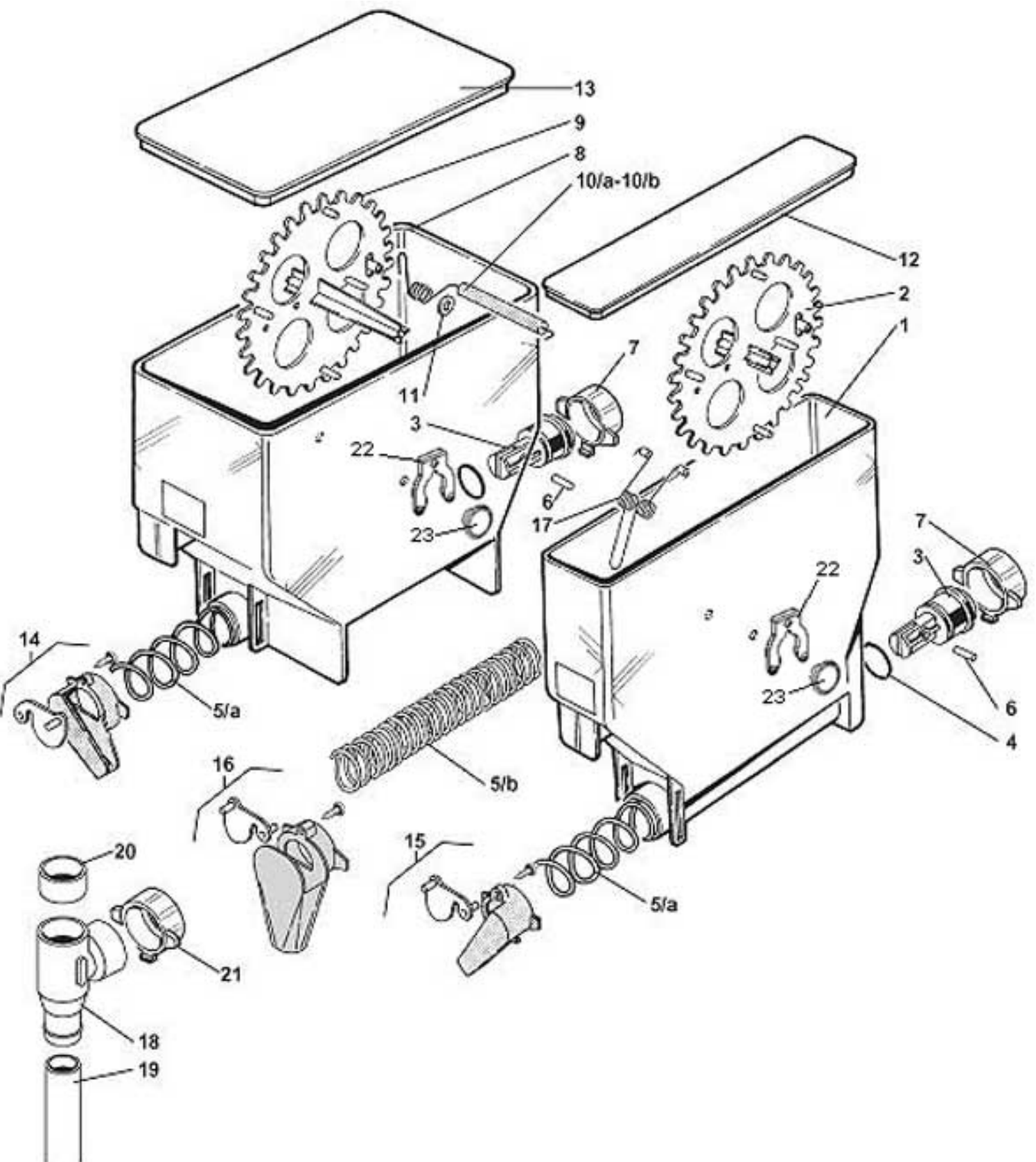
XL STICKS DISPENSER



XL STICKS DISPENSER

Pos.	Code	Description	
1/a	0450003136	STICKS CONTAINER 89	
1/b	0450003141	STICKS CONTAINER 104	
2	0450002003	STICKS DISPENSER	
3/a	0450003008	STICKS DISPENSER PIN 89 mm	
3/b	0450003032	STICKS DISPENSER PIN 104 mm	
4	0450003007	ELECTROMAGNET CONNECTING ROD	
5	0450003010	RETURN SPRING	
6	0450003002	ELECTROMAGNET R.H. SUPPORT	
7	ELE0000055	24 V DC ELECTROMAGNET	
8	0450003003	ELECTROMAGNET L.H. SUPPORT	
9	VIT0002401	SCREW TCB 3.5 x 9.5	
10	VIT0000021	M 4x6 TCB SCREW	
11	VIT0003454	STAINLESS STEEL EXTERNAL tab D.4	
12/a	0450003137	STICKERS CHUTE 89	
12/b	0450003142	STICKERS CHUTE 104	
13	4060010126	PLASTIC COIN DRAWER BOX	
14/a	4001012030	STICK WEIGHT 89 mm	
14/b	0450003033	STICK WEIGHT 104 mm	
15	VIT0002469	SCREW TC 3.5 x 10	
16	VIT0005211	2.5 x 12 CYLINDRICAL PIN	
17	0450003031	STICKS DISPENSER SPACER 104 mm	
100	0450003130CL	STICKS DISPENSER 89 EXCEPT POS. 14	assieme
101	0450003140CL	STICKS DISPENSER 104 EXCEPT POS. 14	assieme

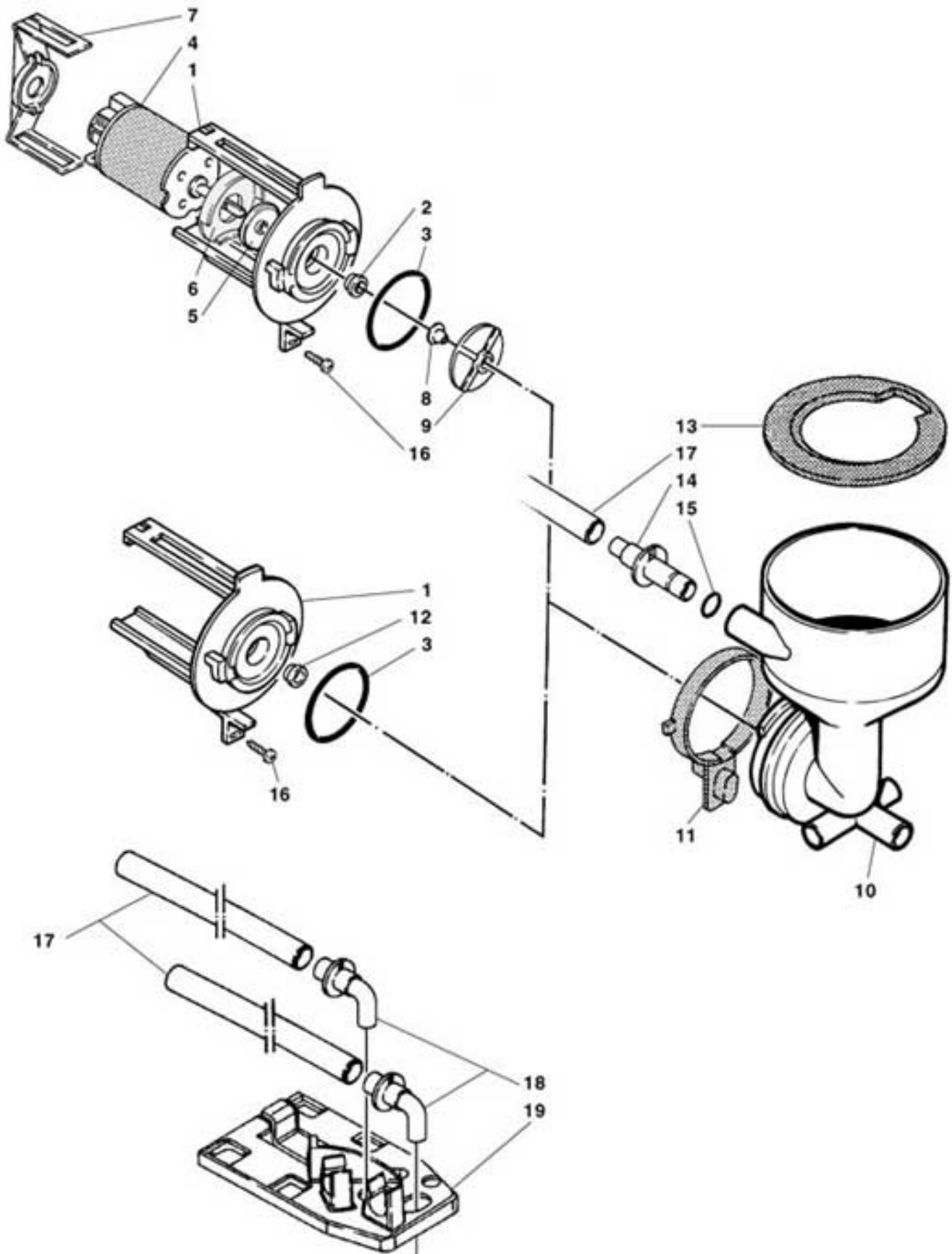
XL PRODUCTS CONTAINER



XL PRODUCTS CONTAINER

Pos.	Code	Description
1	0230030233	PLASTIC INGREDIENT CONTAINER h265 PP
2	0230030236	MIXER GEAR
3	0230030012	AUGER PIN
4	GUA0000083	GASKET 123
5/a	0230030014	AUGER P.18
5/b	0230030013	AUGER P.9
6	VIT0005301	ELASTIC PIN D.2 x 14
7	0230030011	REAR BUSH
8	0230030234	PLASTIC INGREDIENT CONTAINER h265 PP
9	0230030237	MIXER GEAR mm.110
10/a	0230030041	INGREDIENT MIXER 112 mm
10/b	0230030042	INGREDIENT MIXER 112 mm LEFT OUTLET
11	VIT0003210	STAINLESS STEEL FLAT WASHER D. 8.4 x 14 x 1.6
12	0230030006	CONTAINER COVER 55 mm. *
13	0230030009	CONTAINER COVER 112 mm.
14/a	0230030058R	RIGHT PRODUCT FEEDER (BIG HOLE-ORANGE))
14/b	0230030044R	RIGHT PRODUCT FEEDER (SMALL HOLE-RED)
15/a	0230030057R	LEFT PRODUCT FEEDER (BIG HOLE-ORANGE)
15/b	0230030043R	LEFT PRODUCT FEEDER (SMALL HOLE-RED)
16/a	0230030059R	FRONTAL FEEDER (BIG HOLE-ORANGE)
16/b	0230030055R	FRONTAL FEEDER (SMALL HOLE-RED)
17	0230030052	ANTIBRIDGING
18	0230016024	SUGAR FEEDER
19	TSIL15/19T	D.15X19 NATURAL TRANSPARENT SILICONE PIPE
20	4002050109AD	PRODUCT CHUTE PLUG
21	0230030206	SUGAR CHUTE REDUCTION
22	0230030239	GEAR PIN FORK
23	0230030238	GEAR ROTATION PLUG
100	0230030013CL	PIN WORM SCREW P. 9 ASSEMBLED
101	0230030014CL	PIN WORM SCREW P. 18 ASSEMBLED
102	0230030250R	CONT. PROD. SMALL 54mm VSF18 C/COVER
103	0230030251R	SMALL PRODUCT CONT.H265 WORM SCREW 9 W/COVER
104	0230030252R	SMALL PRODUCT CONT.H265 WORM SCREW 18 WITH COVER
105	0230030253R	SMALL PRODUCT CONT.H265 WORM SCREW 9 WITH COVER
106	0230030260R	LARGE PRODUCT CONT.H265 WORM SCREW 18 W/O RIGHT H-S EXIT FEEDER
107	0230030261R	SMALL PRODUCT CONT.H265 WORM SCREW 9 W/ORIGHT H-S EXIT FEEDER
108	0230030262R	LARGE PRODUCT CONT.H265 WORM SCREW 18 LEFT EXIT FEEDER W/COVER
109	0230030263R	CONT. PROD. GRANDE H 265 VSF 9 S/CONVOLGIATORE USCITA SX
110	0230030264R	BIG PRODUCT CONT.H265 WORM SCREW 9 W/ORIGHT H-S EXIT FEEDER WITH COVER

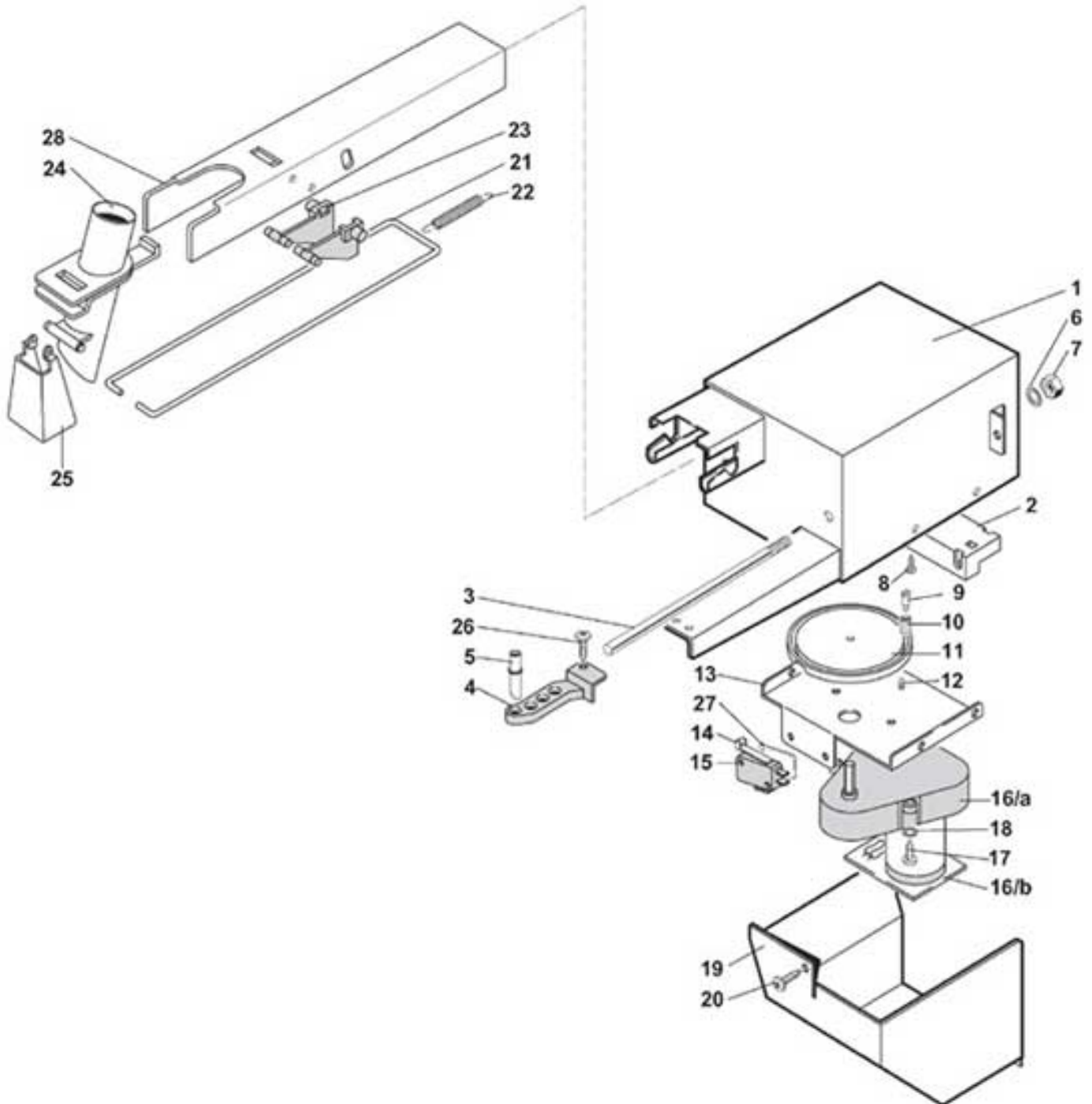
XL MIXERS



XL MIXERS

Pos.	Code	Description	
1	0080100005	MIXER BASE	
2	0080100015	MIXER BASE BUSH	
3	GUA0000084	GASKET 3131	
4	0090003023	24 V DC MIXER MOTOR SHAFT D.4	
5	0080100024	DRIP TRAP FAN	
6	0080100023	MIXER COVER	
	0080100023IC	MIXER COVER ORANGE RAL 2011	
7	0080100009	MOTOR CONNECTION COVER	
	0080100009IC	MOTOR CONNECTION COVER ORANGE RAL 2011	
8	0080100101	MIXER GASKET - SHAFT D.4	
9	0080100011	SMALL FAN MIXER SHAFT D.4	
10	0080100007	MIXER BODY WITH INLET	
11	0080100006	STOPPER RING	
	0080100006IC	STOPPER RING ORANGE RAL 2011	
12	0080100018	MIXER BASE PLUG	
13	0080100008	MIXER TRAP WITHOUT INLET	
14	0080100013	MIXER CONNECTION	
15	GUA0000085	SILICONE GASKET 106	
16	VIT0002401	SCREW TCB 3.5 x 9.5	
17	TSIL06/09T	TRANSPARENT SILICONE PIPE D.6 x 9	
18	0010020052	SPOUT DELIVERY	
19	0010020409	PIPES SUPPORT	
100	0080100001R	MIXER BASE+MOTOR ASSEMBLY	assieme

XL EXTRACTABLE SUGAR MOVEMENT



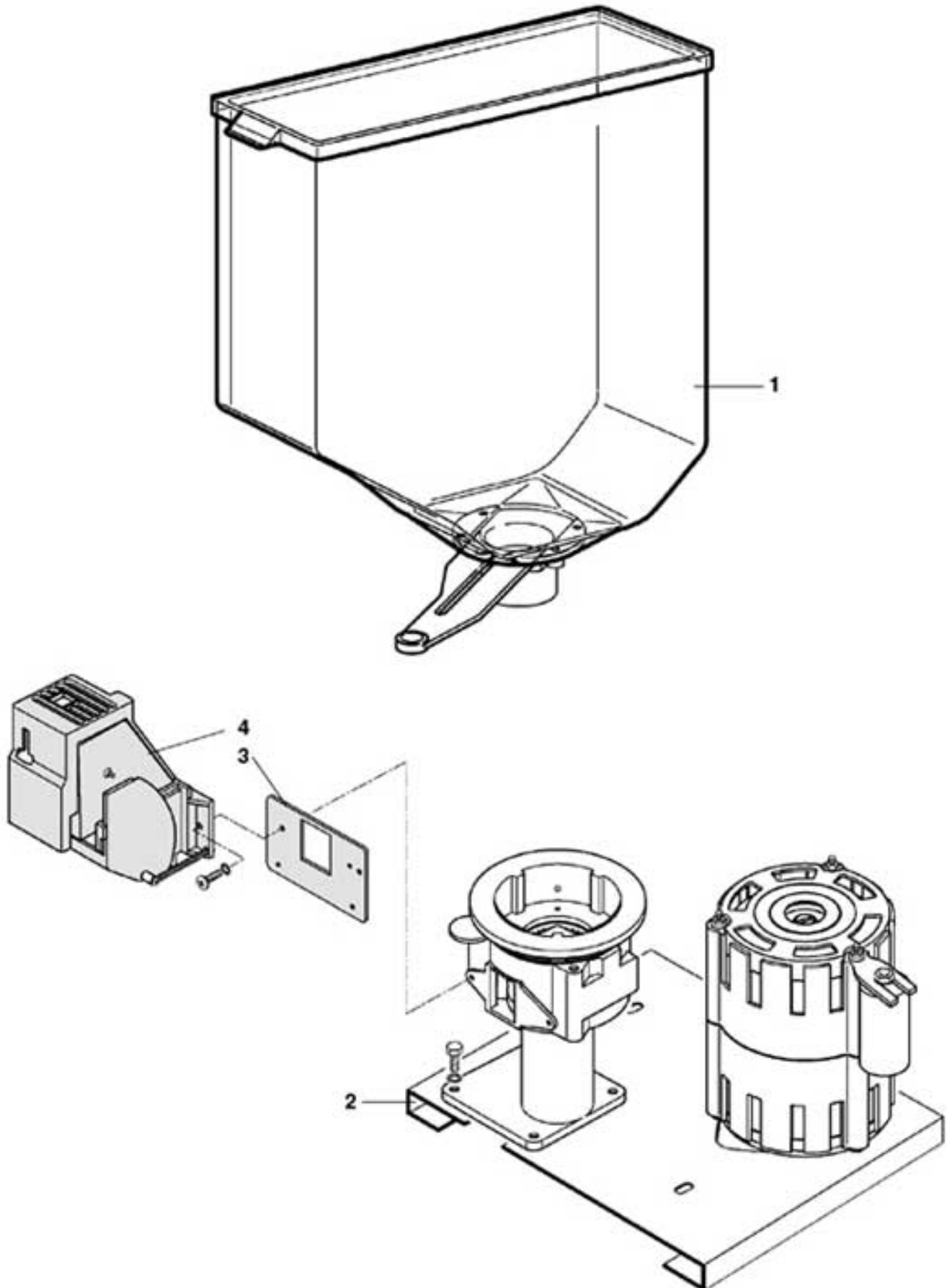
XL

EXTRACTABLE SUGAR MOVEMENT

Pos.	Code	Description
1	0380011314	PIPES SUPPORT HOUSING
2	0380011321	PIPES SUPPORT GUIDE
3	0380011322	SUGAR SUPPORT GUIDE SHAFT
4	0380011231	PRODUCT PIPES SUPPORT
5	0380010657NA	DISPENSER PIPE (BLACK)
6	VIT0003103	WASHER tab D. 4.3
7	VIT0004503	NUT M 4
8	VIT0002401	SCREW TCB 3.5 x 9.5
9	0200001012	ROLL PIN
10	0200001011	CONTROL CONNECTING ROD ROLL
11	0380011326R	CONNECTING ROD
12	VIT0007002	M 4 x 6 DOWEL
13	0380011311	GEAR MOTOR SUPPORT
14	ELE0001906	161 E R 24.1 MICRO LEVER
15	ELE0001522	1-WAY 16 A 250 V MICROSWITCH
16/a	0090002512	24 V DC 10 ROM GEAR MOTOR HEXAGONAL SHAFT
16/b	SCH0003740	DC MOTORS FILTER
17	VIT0000003	M 3x8 TCB SCREW
18	VIT0003102	WASHER tab D. 3.2
19	0380011312	GEAR MOTOR COVER
20	VIT0002002	SCREW TCB 3,5x6,5
21	0380011319	REMOVABLE SUPPORT CONNECTION
22	0380010431	MOBILE WALL SPRING
23	0380010599	KEY PIPES MOVEMENT
24	0380011229CLO	SUGAR CHUTE
25	0380010424	MOBILE WALL
	0380010424NA	MOBILE WALL BLACK
26	VIT0000030	SCREW TCB M4 x 7
27	7500902054	SUPPLEMENTARY INSULATION
28	0380011318	PIPES MOVEMENT SUPPORT
100	0380011231CL	SUGAR MOVEMENT ASSEMBLY

XL

CONTAINER BATCHER GRINDER GROUP



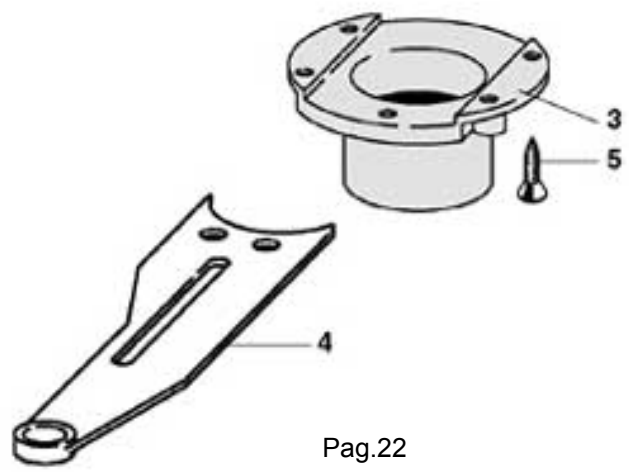
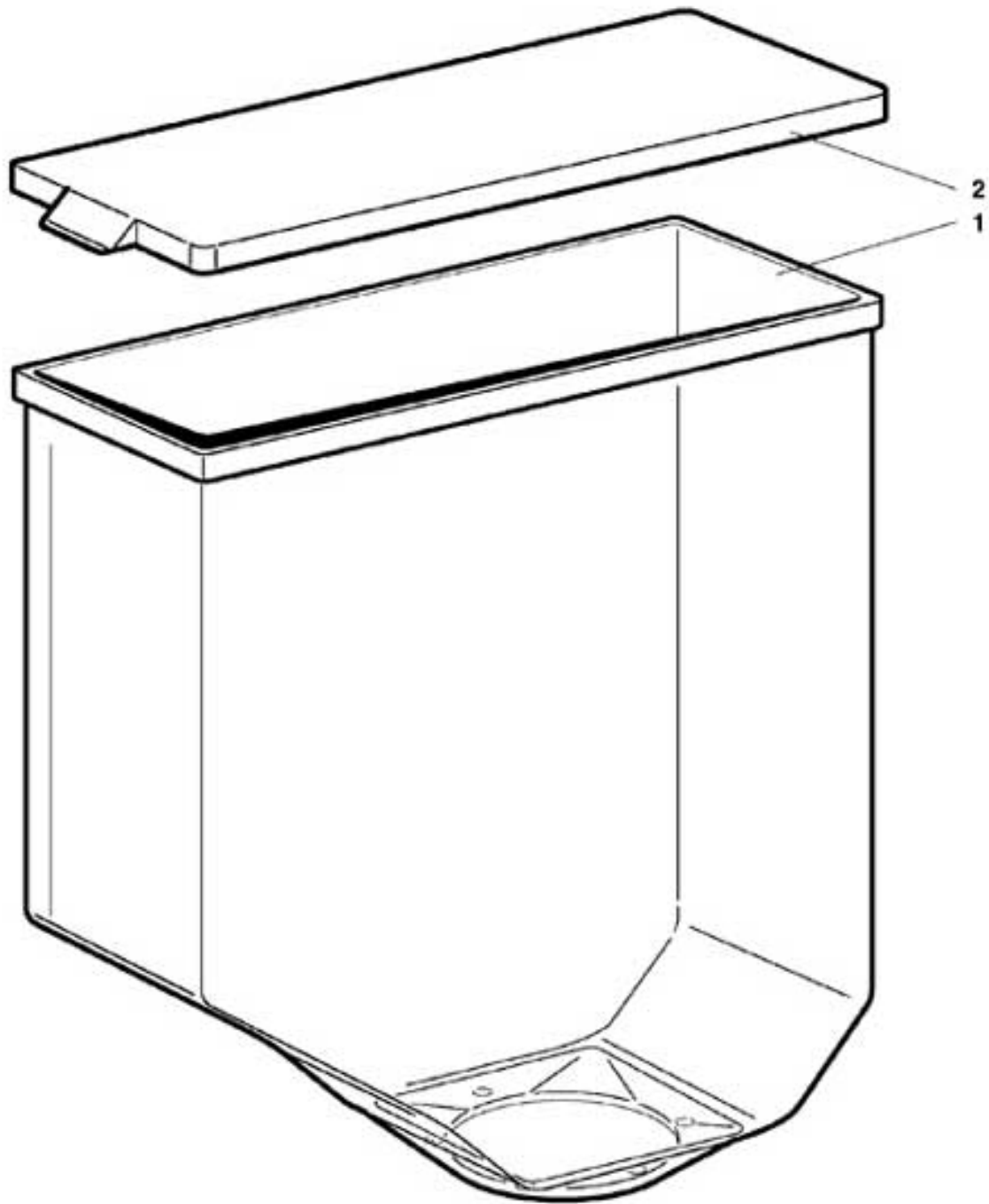
XL

CONTAINER BATCHER GRINDER GROUP

Pos.	Code	Description
1		See table COFFEE BEANS CONTAINER GROUP
2		See table GRINDER- BATCHER + ENGINE
3	0320004214	MILL-BATCHER PLATE
4		See table PL BATCHER GROUP WITH 24 V DC SETTING

XL

COFFEE BEANS CONTAINER GROUP



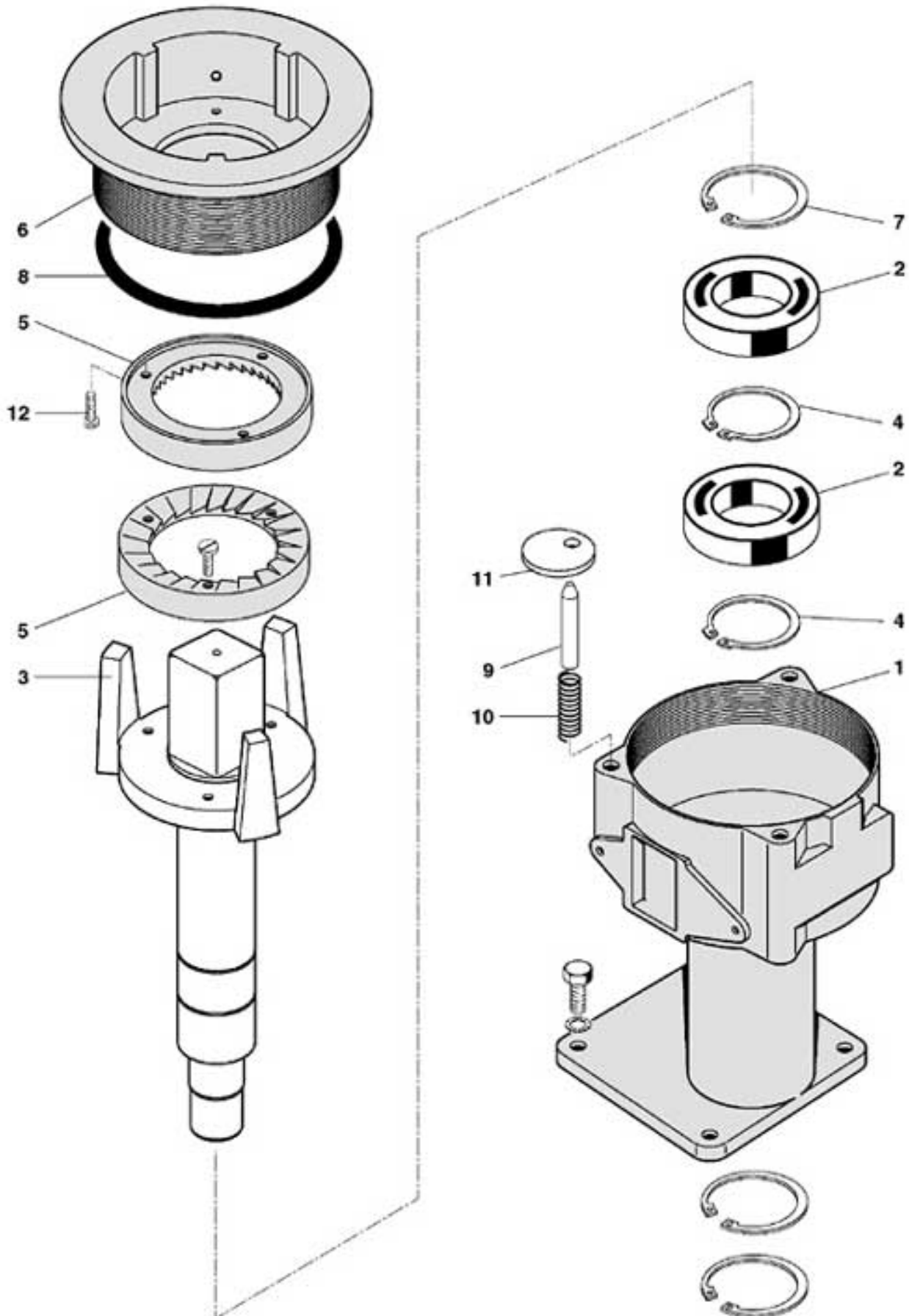
XL

COFFEE BEANS CONTAINER GROUP

Pos.	Code	Description	
1	0230015161	COFFEE BEANS CONTAINER	
2	0230015162	COFFEE CONTAINER COVER	
3	0230015035	COFFEE CONTAINER BOTTOM	
4	0230015207	COFFEE CONTAINER BLADE	
	0230015207IC	COFFEE CONTAINER BLADE ORANGE RAL 2011	
5	VIT0002104	2.9x 13 STAINLESS STEEL TAPPING TCB SCREW	
100	0230015160CL	COFFEE CONTAINER	assieme

XL

GRUPPO MACININO VERTICALE SENZA PULEGGIA



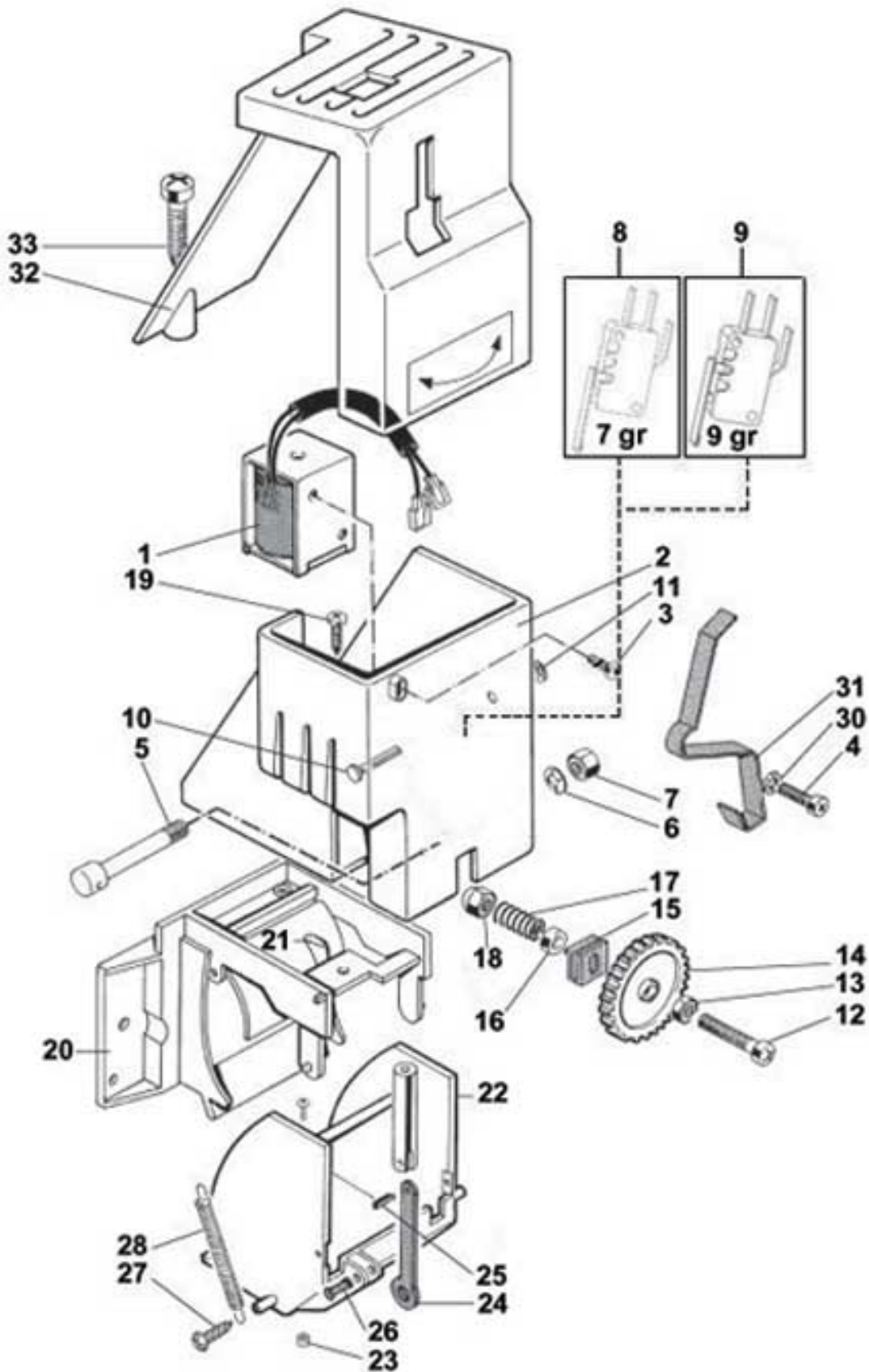
XL

GRUPPO MACININO VERTICALE SENZA PULEGGIA

Pos.	Code	Description
1	0320004006	GRINDER BODY
2	VIT0009301	ZKL BEARING
3	0320004015	LOWR GRINDER SUPPORT
4	VIT0006651	D.17 RADIAL STOP RING FOR SHAFT
5	0090003015	GRINDER COUPLE 1695
6	0320002004	UPPER GRINDER SUPPORT
7	VIT0006602	D.35 RADIAL STOP RING FOR HOLE
8	GUA0000090	OR 3268
9	0320002011	COMPENSATING PIN
10	270001023	SPRING
11	0320002010	PLATE
12	VIT0000024	M 4x8 TCB SCREW
100	0320004020CL	GRINDER GROUP

XL

PL BATCHER GROUP WITH 24 V DC SETTING

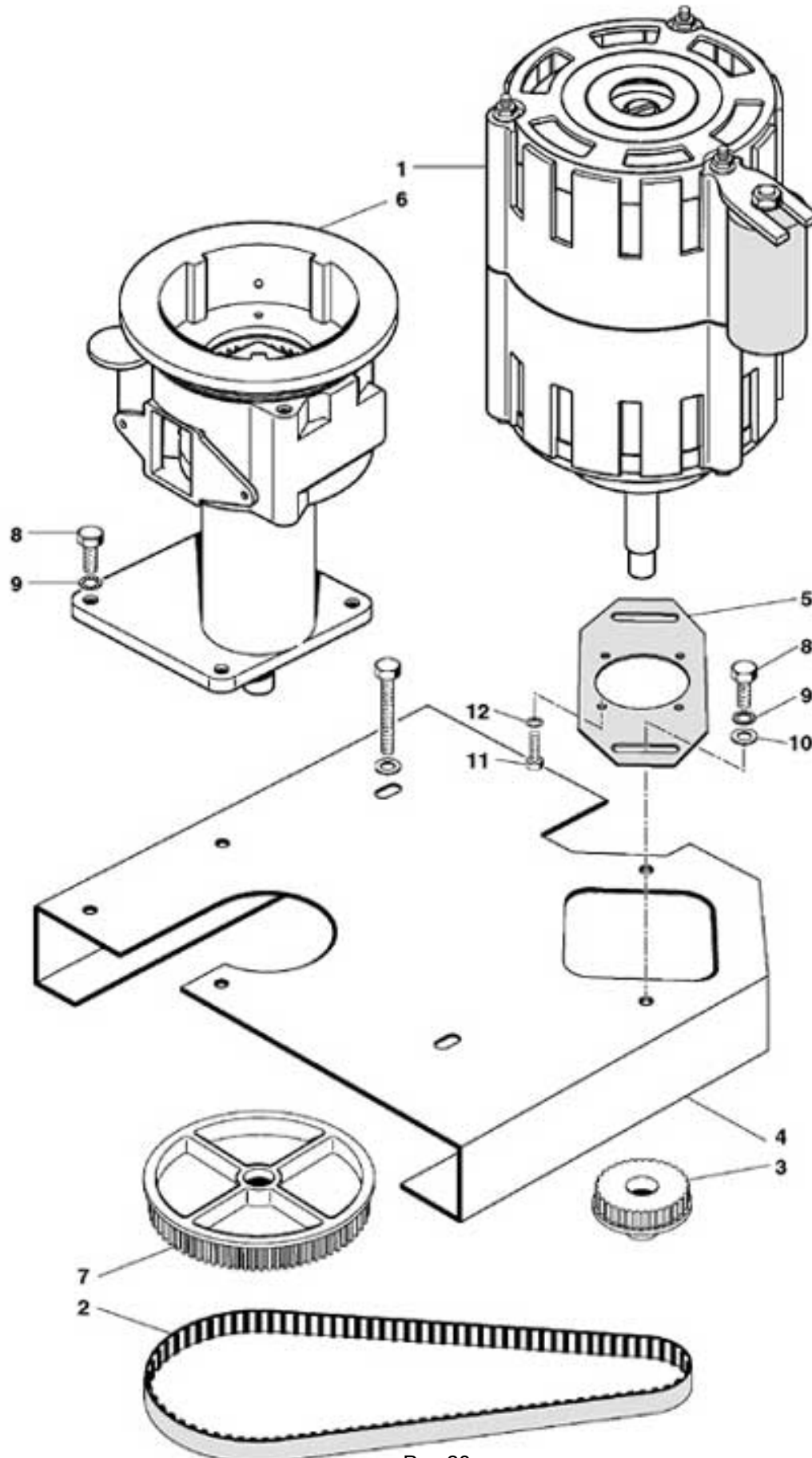


XL

PL BATCHER GROUP WITH 24 V DC SETTING

Pos.	Code	Description	
1	ELE0000056R	ELECTROMAGNET W/CONNECTION 24V DC	
2	0350003136	ELECTROMAGNET SUPPORT	
	0350003136NA	ELECTROMAGNET SUPPORT BLACK	
3	VIT0000028	M 3x14 TCB SCREW	
4	VIT0000005	M 3x12 TCB SCREW	
5	0350003114	SETTING PIN	
6	VIT0009161	D.3.2 x 8 x 0.4 SPRING	
7	VIT0004814	M.3 SELFLOCKING NUT	
8	0350003112R	MICRO WITH FRONT POSITION LEVER 7 GR	
9	0350003312R	MICRO WITH CENTRAL POSITION LEVER 9 GR	
10	0350003112	ROTATION PIN	
11	VIT0007101	D.3 BENZING-QUICKLOCK	
12	VIT0000009	M 3x30 TCB SCREW	
13	VIT0004502	M3 NUT	
14	0350003113	WEIGHT SETTING WHEEL	
	0350003113NA	WEIGHT SETTING WHEEL BLACK	
15	0350003122	CONNECTION TO BE TIGHTENED	
16	7500102053	MICRO SPACER	
17	0350003115	SETTING SPRING	
18	VIT0004813	M.3 CAP NUT	
19	VIT0002011	2.9x 9.5 TAPPING TCB SCREW	
20	0350003105	BATCHER BODY	
	0350003105NA	BATCHER BODY BLACK	
21/a	0350003106	BLADE Up to serial 04539999	
21/b	0350003314	BLADE From serial 05010001	
	0350003314NA	BLADE From serial 05010001 BLACK	
22	0350003301	COFFEE FEEDER	
	0350003301NA	COFFEE FEEDER BLACK	
23	0350003302	SHAKER	
24	0350003126	ELECTROMAGNET CONNECTING ROD	
	0350003126NA	ELECTROMAGNET CONNECTING ROD BLACK	
25	VIT0005105	2 x 8 STAINLESS STEEL ELASTIC PIN	
26	0350003111	PIN	
	0350003111NA	PIN BLACK	
27	VIT0002001	TCB 2.9x 6.5 TAPPING SCREW	
28	0350003129	RETURN SPRING	
29			
30	VIT0003102	WASHER tab D. 3.2	
31	0350003124	BATCHER LOCK	
32	0350003128	COVER	
33	VIT0002469	SCREW TC 3.5 x 10	
100	0350003110CL	24 V DC COFFEE PLASTIC BATCHER W/SETTING	assieme
101	0350003310CL	24 V DC COFFEE PLASTIC BATCHER 9gr	

XL GRINDER- BATCHER + ENGINE



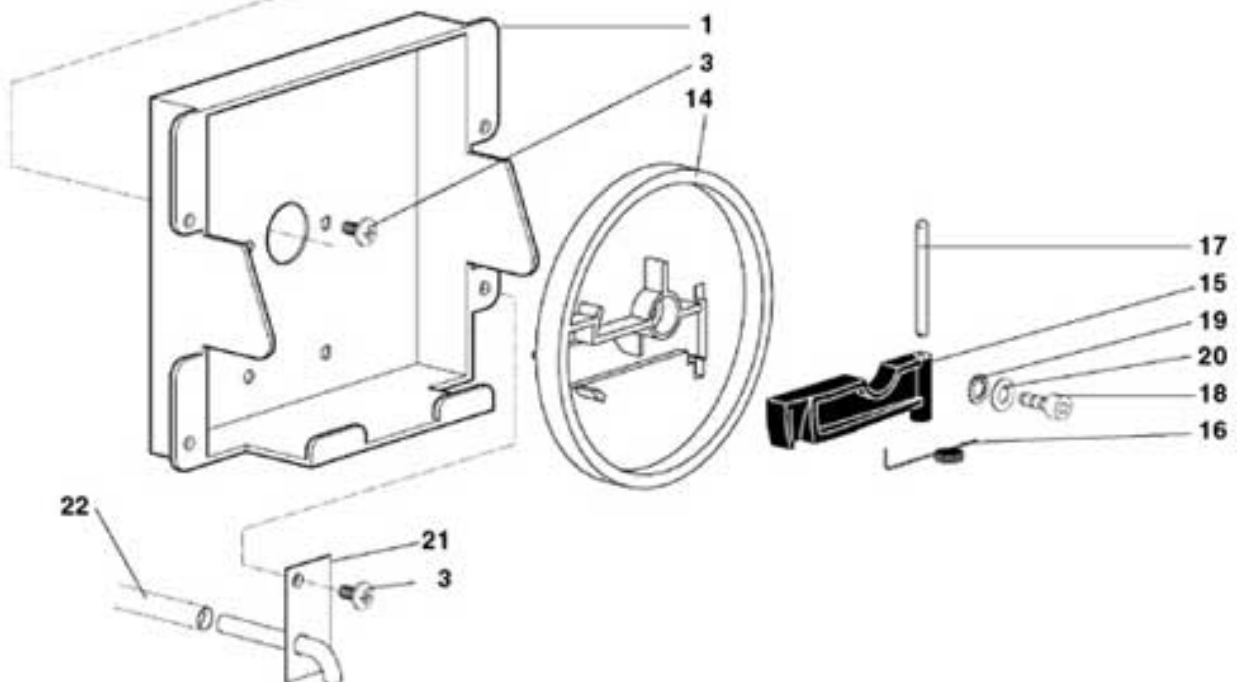
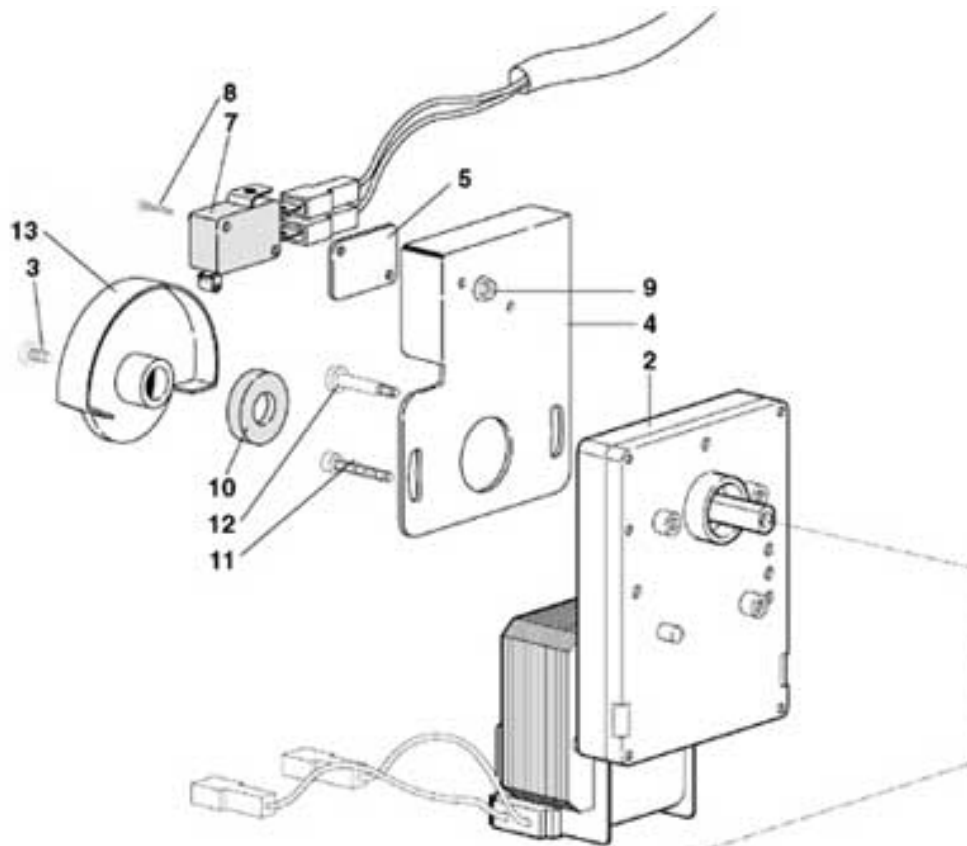
XL

GRINDER- BATCHER + ENGINE

Pos.	Code	Description	
1	0090003016	MOTOR + CONDENSER	
2	0090006003	BELT	
3	0320004055	ENGINE PULLEY	
4	0320004206	MILL MOTOR SUPPORT	
5	0320004208	SETTING PLATE	
6	0320004020CL	GRINDER GROUP	
7	0320004022	GRINDER PULLEY	
8	VIT0000213	M 6*12 H.H. SCREW	
9	VIT0003105	WASHER tab D. 6.4	
10	VIT0003005	6.4x12.5x1.6 FLAT WASHER	
11	VIT0000205	SCREW TE M4x10	
12	VIT0003103	WASHER tab D. 4.3	
100	0320004201CL	COFFEE BEANS CONTAINER GROUP ASSEMBLY + MOTOR	assieme

XL

MICRO COFFEE GROUP MOTOR SUPPORT



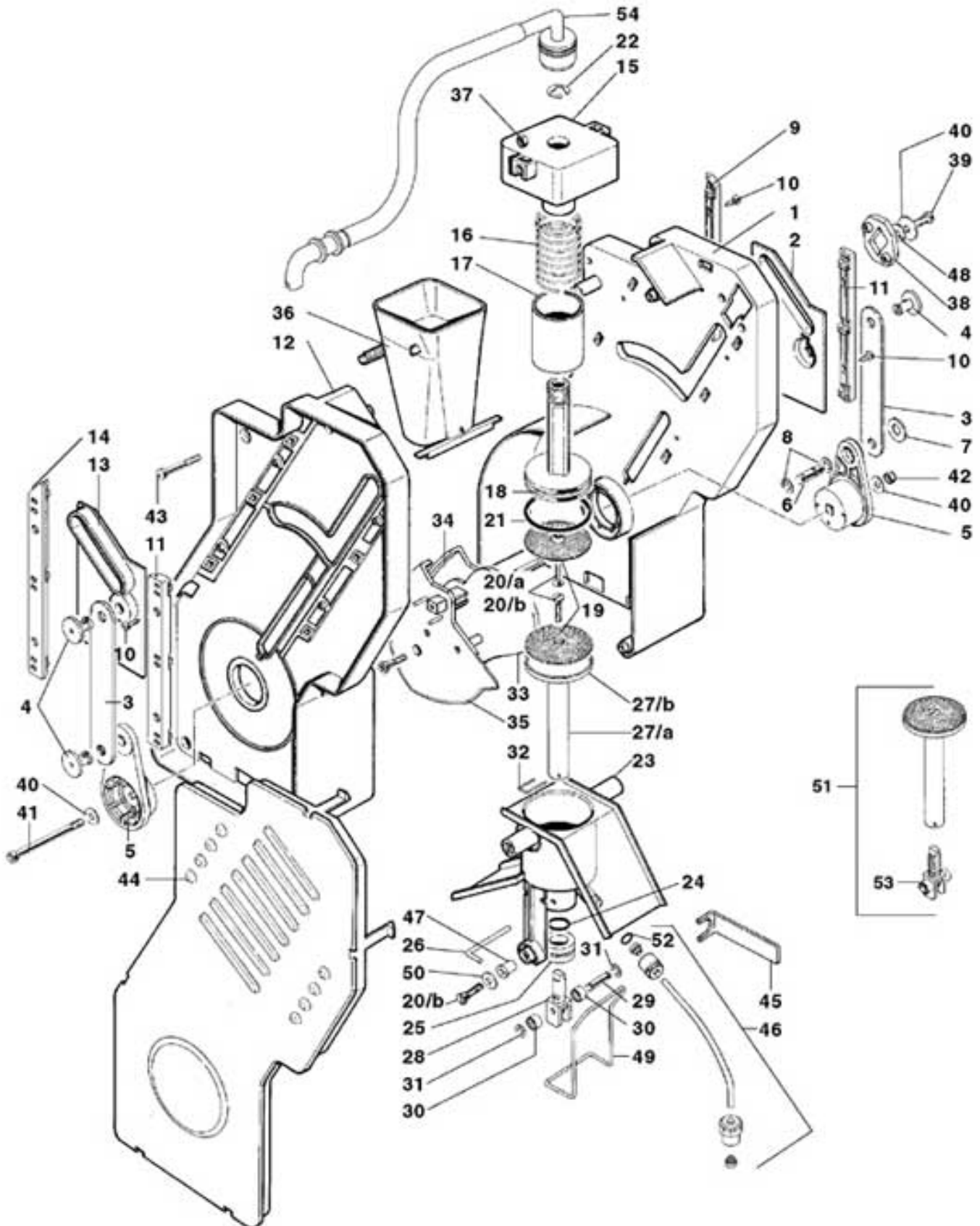
XL

MICRO COFFEE GROUP MOTOR SUPPORT

Pos.	Code	Description
1	0260010102	MICRO GROUP MOTOR SUPPORT
	0260010102CK	MICRO GROUP MOTOR SUPPORT DUST GREY RAL 7037
	0260010102KE	MICRO GROUP MOTOR SUPPORT FIRE RED RAL 3000
2	0090002186	MICRO GROUP MOTOR
3	VIT0000030	SCREW TCB M4 x 7
4	0250008093	MICRO PLATE
5	4600010014	MICRO SPACER
7	ELE0001529	MICRO WITH LEVER
8	VIT0000006	M 3x16 TCB SCREW
9	VIT0004701	M3 FR NUT
10	0250008091	MICRO SPACER
11	0250008092	M4 SPECIAL SCREW
12	VIT0005521	4x25 TCEI SCREW
13	0250008043	GROUP READER DISK
14	0250008012	MOTOR CRANK
15	0250008034	HOOKING LEVER
16	0250008059	SPRING FOR HOOKING LEVER
17	VIT0005205	4 x 40 CYLINDRICAL PIN
18	VIT0005508	4x12 TCEI SCREW
19	VIT0003103	WASHER tab D. 4.3
20	VIT0003003	WASHER D.8 x 4.3 x 0.8
21	0010020147	PIPE WITH PLATE
22	TSIL07/11T	TRANSPARENT SILICONE PIPE D.7 x 11
100	0260010110CL	MICRO COFFEE GROUP MOTOR SUPPORT

assieme

XL MICRO COFFEE GROUP



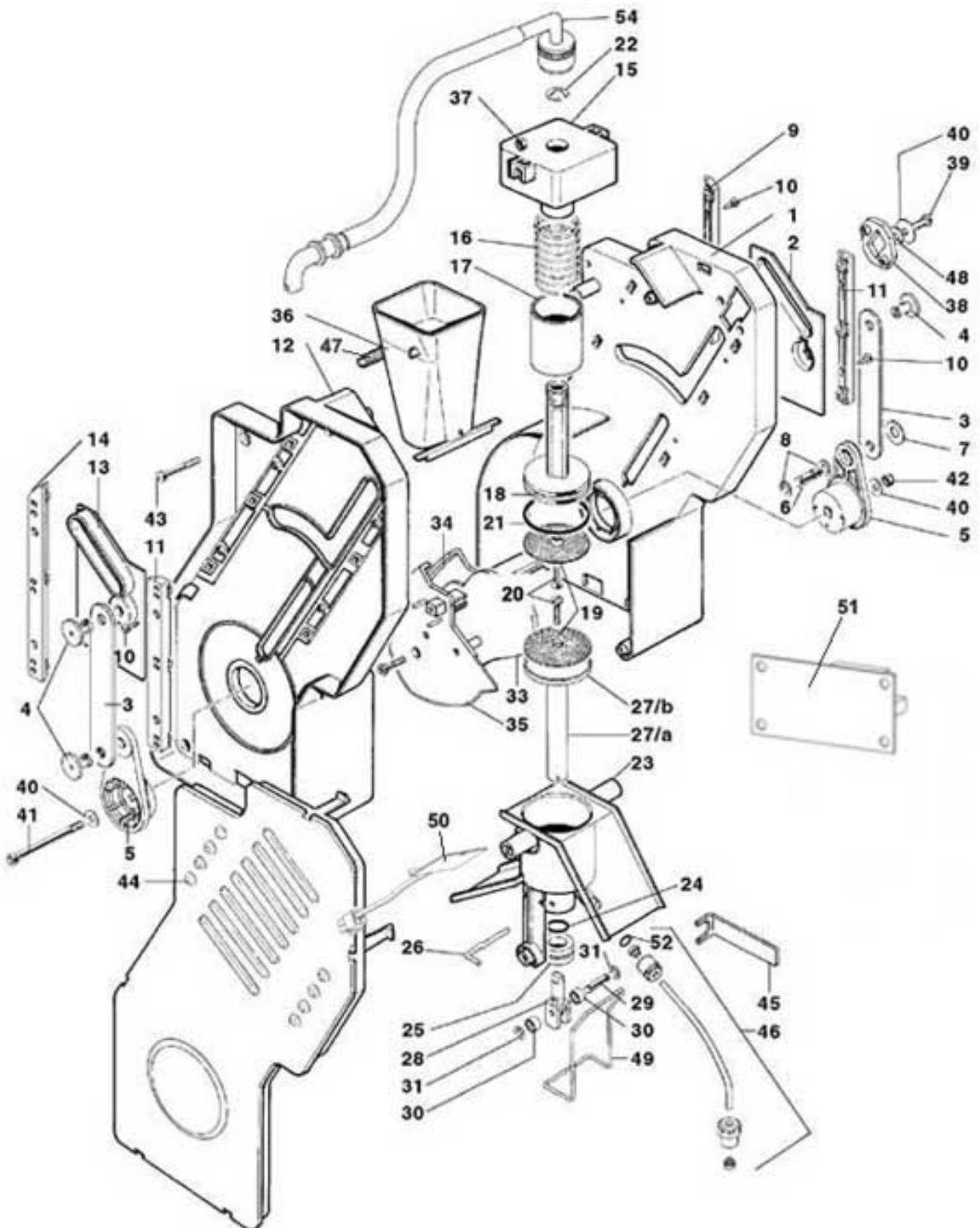
XL

MICRO COFFEE GROUP

Pos.	Code	Description
1	0250008005	R.H. FRAME It's part of kit 0250008005R
2	0250008084	R.H. INFUSION CHAMBER CAM
3	0250008009	CONNECTING ROD
4	0250008028	PIN FOR CONNECTING ROD
5	0250008011	R.H. CRANK
6	0250008014	MOTOR CRANK PIN
7	0250008042	ANTIVIBRATION WASHER
8	VIT0006515	D.5 RADIAL STOP RING
9	0250008031	R.H. REAR GUIDE
10	VIT0002026	3.5x 6.5 STAINLESS STEEL TAPPING TCB SCREW
11	0250008033	FRONT GUIDE
12	0250008006	L.H. FRAME It's part of kit 0250008005R
13	0250008085	L.H. INFUSION CHAMBER CAM
14	0250008032	L.H. REAR GUIDE
15	0250008086	UPPER FILTER SUPPORT
16	0250008024	UPPER FILTER SPRING
17	0250008087	SPRING COVER PIPE
18/a	0250008026	D.36 UPPER FILTER FOR COFFEE BEANS GROUP D. 36
18/b	0250008208	D.40 UPPER FILTER FOR COFFEE BEANS GROUP D. 40
	0250008208IC	D.40 UPPER FILTER FOR COFFEE BEANS GROUP D. 40 ORANGE RAL 2011
19/a	0250008099	FILTER FOR COFFEE BEANS GROUP D. 36
19/b	0250008211	FILTER D.40 FOR COFFEE BEANS GROUP D. 40
20/a	VIT0001202	M 3x14 TSP SCREW
20/b	VIT0000121	M 3x8 TSP SCREW
21/a	GUA0000080	SILICONE 4112 OR FOR COFFEE BEANS GROUP D. 36
21/b	GUA0000097	SILICONE 4131 OR FOR COFFEE BEANS GROUP D. 40
22	VIT0006513	D.2 STAINLESS STEEL INSIDE SEEGER
23/a	0250008046R	INFUSION CHAMBER FOR COFFEE BEANS GROUP D. 36
23/b	0250008206R	INFUSION CHAMBER D.40 FOR COFFEE BEANS GROUP D. 40
24	GUA0000065	SILICONE OR 112
25	0250008053	LOWER INLET CUP BUSH
26	0250008029	GLASS BUSH PIN
27/a	0250008108	FILTER SUPPORT SHFT
27/b	0250008122	LOWER FILTER FOR COFFEE BEANS GROUP D. 36
27/c	0250008209	LOWER FILTER D.40 FOR COFFEE BEANS GROUP D. 40
	0250008209IC	LOWER FILTER D.40 FOR COFFEE BEANS GROUP D. 40 ORANGE RAL 2011
28	0250008106	LOWER FILTER ROLL SUPPORT
29	0250008021	ROLL SHAFT
30	0250008022	ROLL SHAFT
31	VIT0006516	D.3.2 RADIAL STOP RING
32	0250008027	LOWER FILTER PIN
33	0250008083	FILTER EJECTION CAM
34	0250008016	R.H. FILTER RECOVERY CAM
35	0250008017	L.H. FILTER RECOVERY CAM
36	0250008036	COFFEE CONE
37	VIT0004803	STAINLESS STEEL NUT M4
38	0250008035	SETTING PLATE
39	VIT0000032	M 4x8 INOX TCB SCREW
40	VIT0003309	4.3x16x1.5 STAINLESS STEEL FLAT WASHER
41	VIT0005523	4x60 STAINLESS STEEL TCEI SCREW
42	VIT0004810	M 4 SELFLOCKING NUT
43	VIT0002461	SCREW TCCCR 4.2 x 26
44	0250008039	L.H. FRAME COVER
	0250008039CM	L.H. FRAME COVER FOR COFFEE BEANS GROUP D. 40 MERCEDES GREY RAL 9006
	0250008039IC	L.H. FRAME COVER FOR COFFEE BEANS GROUP D. 40 ORANGE RAL 2011
45	0250008048	KEY FOR NUT
46	0250008150CL	WATER INLET PIPER ASSEMBLY
47	VIT0009203	M 3 CONNECTION FOR THERMOPLASTIC
48	VIT0003451	GROWER SPRING WASHER
49	0250008094	SCRAPER
50	0250008088	WASHER FOR CHAMBER CAM
51	0250008109R	D.36 LOWER FILTER+ROLL SUPPORT ASSEMBLY
52	GUA0000061	2010 VITON OR
53	0250008107R	LOWER FILTER ROLL SUPPORT
54	0250008140CL	COFFEE OUTLET PIPE ASSEMBLY
100	0250008001R	MICRO COFFEE GROUP FOR COFFEE BEANS GROUP D. 36
101	0250008201R	MICRO COFFEE GROUP D.40 FOR COFFEE BEANS GROUP D. 40
102	0250008026R	D.36 UPPER FILTER ASSEMBLY FOR COFFEE BEANS GROUP D. 36
103	0250008208R	D.40 UPPER FILTER ASSEMBLY FOR COFFEE BEANS GROUP D. 40
104	0250008108R	D.36 LOWER FILTER

assieme

XL HEATED MICRO COFFEE GROUP

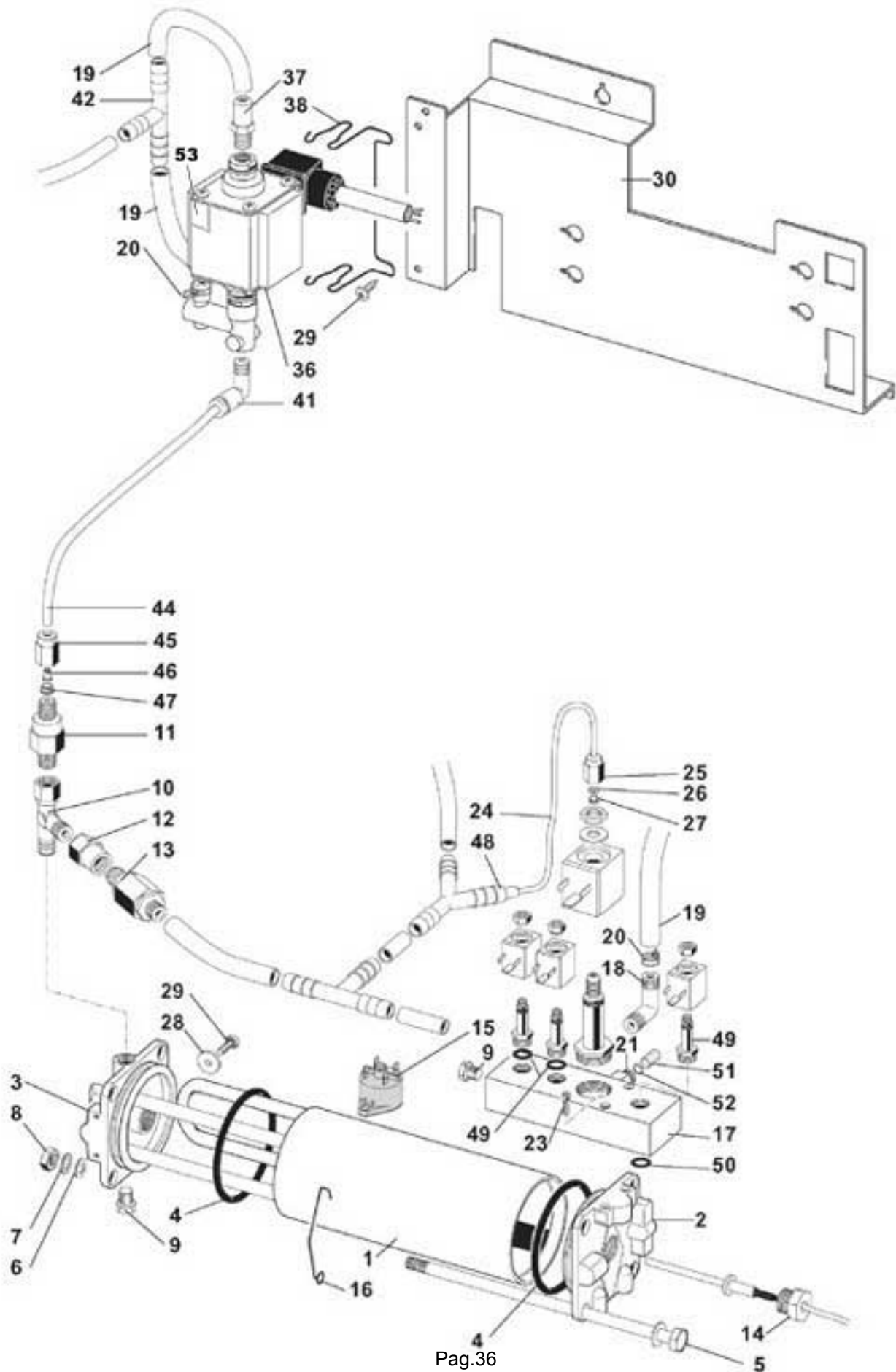


XL

HEATED MICRO COFFEE GROUP

Pos.	Code	Description
1	0250008005	R.H. FRAME It's part of kit 0250008005R
2	0250008084	R.H. INFUSION CHAMBER CAM
3	0250008009	CONNECTING ROD
4	0250008028	PIN FOR CONNECTING ROD
5	0250008011	R.H. CRANK
6	0250008014	MOTOR CRANK PIN
7	0250008042	ANTIVIBRATION WASHER
8	VIT0006515	D.5 RADIAL STOP RING
9	0250008031	R.H. REAR GUIDE
10	VIT0002026	3.5x 6.5 STAINLESS STEEL TAPPING TCB SCREW
11	0250008033	FRONT GUIDE
12	0250008006	L.H. FRAME It's part of kit 0250008005R
13	0250008085	L.H. INFUSION CHAMBER CAM
14	0250008032	L.H. REAR GUIDE
15	0250008086	UPPER FILTER SUPPORT
16	0250008024	UPPER FILTER SPRING
17	0250008087	SPRING COVER PIPE
18	0250008026	D.36 UPPER FILTER
19	0250008019	FILTER
20	VIT0000121	M 3x8 TSP SCREW
21	GUA0000080	SILICONE 4112 OR
22	VIT0006513	D.8 STAINLESS STEEL INSIDE SEEGER
23	0250008215R	INFUSION CHAMBER WITH GROUNDS CHUTE
24	GUA0000065	SILICONE OR 112
25	0250008053	LOWER INLET CUP BUSH
26	0250008029	GLASS BUSH PIN
27/a	0250008108	FILTER SUPPORT SHFT
27/b	0250008122	LOWER FILTER
28	0250008226	ROLL SUPPORT
29	0250008021	ROLL SHAFT
30	0250008022	ROLL SHAFT
31	VIT0006516	D.3.2 RADIAL STOP RING
33	0250008083	FILTER EJECTION CAM
34	0250008016	R.H. FILTER RECOVERY CAM
35	0250008017	L.H. FILTER RECOVERY CAM
36	0250008036	COFFEE CONE
37	VIT0004803	STAINLESS STEEL NUT M4
38	0250008035	SETTING PLATE
39	VIT0000032	M 4x8 INOX TCB SCREW
40	VIT0003309	4.3x16x1.5 STAINLESS STEEL FLAT WASHER
41	VIT0005523	4x60 STAINLESS STEEL TCEI SCREW
42	VIT0004810	M 4 SELFLOCKING NUT
43	VIT0002461	SCREW TCCCRT 4,2 x 26
44	0250008039	L.H. FRAME COVER
	0250008039CM	L.H. FRAME COVER MERCEDES GREY RAL 9006
	0250008039IC	L.H. FRAME COVER ORANGE RAL 2011
45	0250008048	KEY FOR NUT
46	0250008150CL	WATER INLET PIPER ASSEMBLY
47	0250008119	SPRING
48	VIT0003451	GROWER SPRING WASHER
50	0250008213R	COMPLETE HEATING ELEMENT
51	SCH0006880	HEATING ELEMENT POWER BOARD
52	GUA0000061	2010 VITON OR
54	0250008140CL	COFFEE OUTLET PIPE ASSEMBLY
100	0250008220R	HEATED MICRO COFFEE GROUP D.36
101	0250008227R	ASSEMBLED LOWER FILTER ROLL SUPPORT (POS. 28-29-30-31)

XL BOILER E

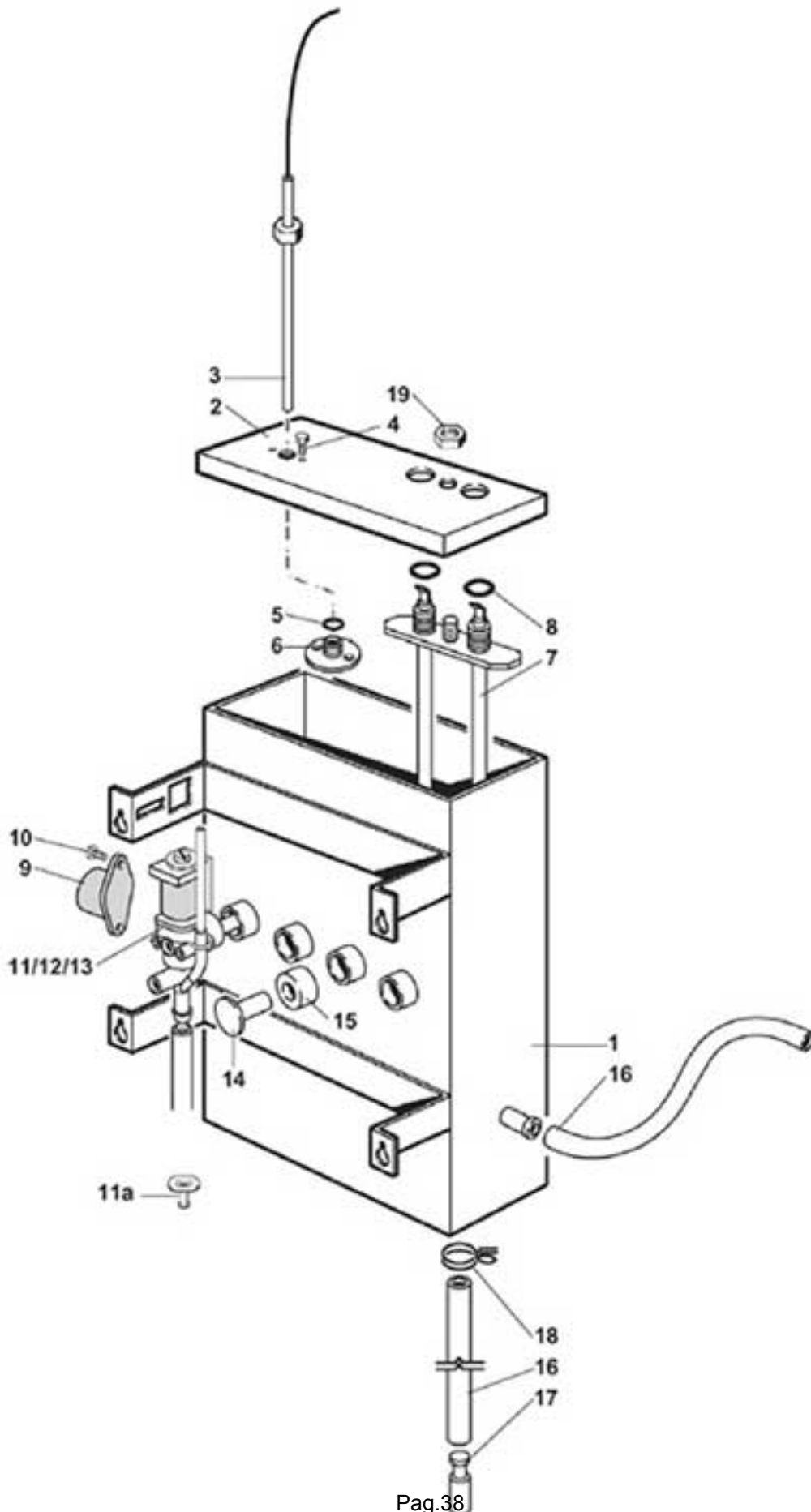


XL BOILER E

Pos.	Code	Description
1	0600012514	JACKET MM 150
2	0600012671	FLANGE FOR VALVE
3	0600012701	FLANGE WITH HEATING ELEMENT
4	GUA0000047	164 VITON OR
5	0600012515	TIE-BOLT MM 177
6	VIT0003206	D. 8.4x16x1.6 WASHER
7	VIT0003402	D. 8.4 GROWER SPRING WASHER
8	VIT0004506	M 8 NUT
9	4600020115	PLUG
10	0100001028	MALE T UNION 1/8-6-6
11	0110002012R	1/8M INLET - 1/8F OUTLET NON-RETURN VALVE
12		
13	0110002009	SAFETY VALVE
14	ELE0000969R	PROBE + ACCESSORIES
15	ELE0009001	120° CLICSON
16	250020087	SAFETY SWITCH SECURING SPRING
17/a	0110001087	2 2-WAY VALVE + 1 3-WAY VALVE
17/b	0110001091	3 2-WAY SOLENOID VALVE + 1 3-WAY SOLENOID VALVE 24VDC GROUP
18	250020146	ELBOW CONNECTION
19	TSIL06/09T	TRANSPARENT SILICONE PIPE D.6 x 9
20	FASC000101	PIPES CLIP
21	0110003106	H2O 3-WAY SOLENOID VALVE CONNECTION
22		
23	VIT0005510	4x16 TCEI SCREW
24	TTEF02/04T	D.2x4 PIPE
25	0100001001	NUT FOR 4-1/8 PIPE FITTING
26	0100002001	D.4 LOCKING RING
27	0100003002	COPPER GASKET
28	1600001098	SYNTHETIC RUBBER D.4.5 SPACER
29	VIT0000030	SCREW TCB M4 x 7
30	0010021027	E BOILER SUPPORT
31		
32		
33		
34		
35		
36/a	0110004002R	ELECTROMAGNETIC PUMP 12 bar FOR COFFEE BEANS GROUP D. 36
36/b	0110004021	230V 50 HZ PUMP FOR XS CABINET FOR COFFEE BEANS GROUP D. 40
37/a	2500001139	VALVE RUBBER-HOLDER CONNECTION FOR COFFEE BEANS GROUP D. 36
37/b	0110004023	PIPETTE FOR COFFEE BEANS GROUP D. 40
38/a	0110004020	PUMP SUPPORT FOR COFFEE BEANS GROUP D. 36
38/b	0110004038	ELECTROMAGNET PUMP SUPPORT FOR COFFEE BEANS GROUP D. 40
39	VIT0003301	WASHER D.12 x 4.3 x 1.5
40	VIT0004503	NUT M 4
41	0100001056	TURNING ELBOW 6-1/4 VITON OR
42	0100003003	TEE UNION
43		
44	TNAY000001	D.6*4 POLYAMIDE PIPE
45	0100001002	NUT FOR PIPE FITTING D.6
46	0100002005	STRENGTHENING BUSH D.4
47	0100002002	LOCKING RING D.6
48	0100001065	'Y' FITTING
49	0110010111	OR R 990597/N
50	0110010112	OR R 990002/S
51	0110003057	OR SPACER
52	GUA0000069	2015 OR
53	ELE0000915	THERMIC PROTECTION FOR COFFEE BEANS GROUP D. 40
100	0600012700CL	MM.150 BOILER

assieme

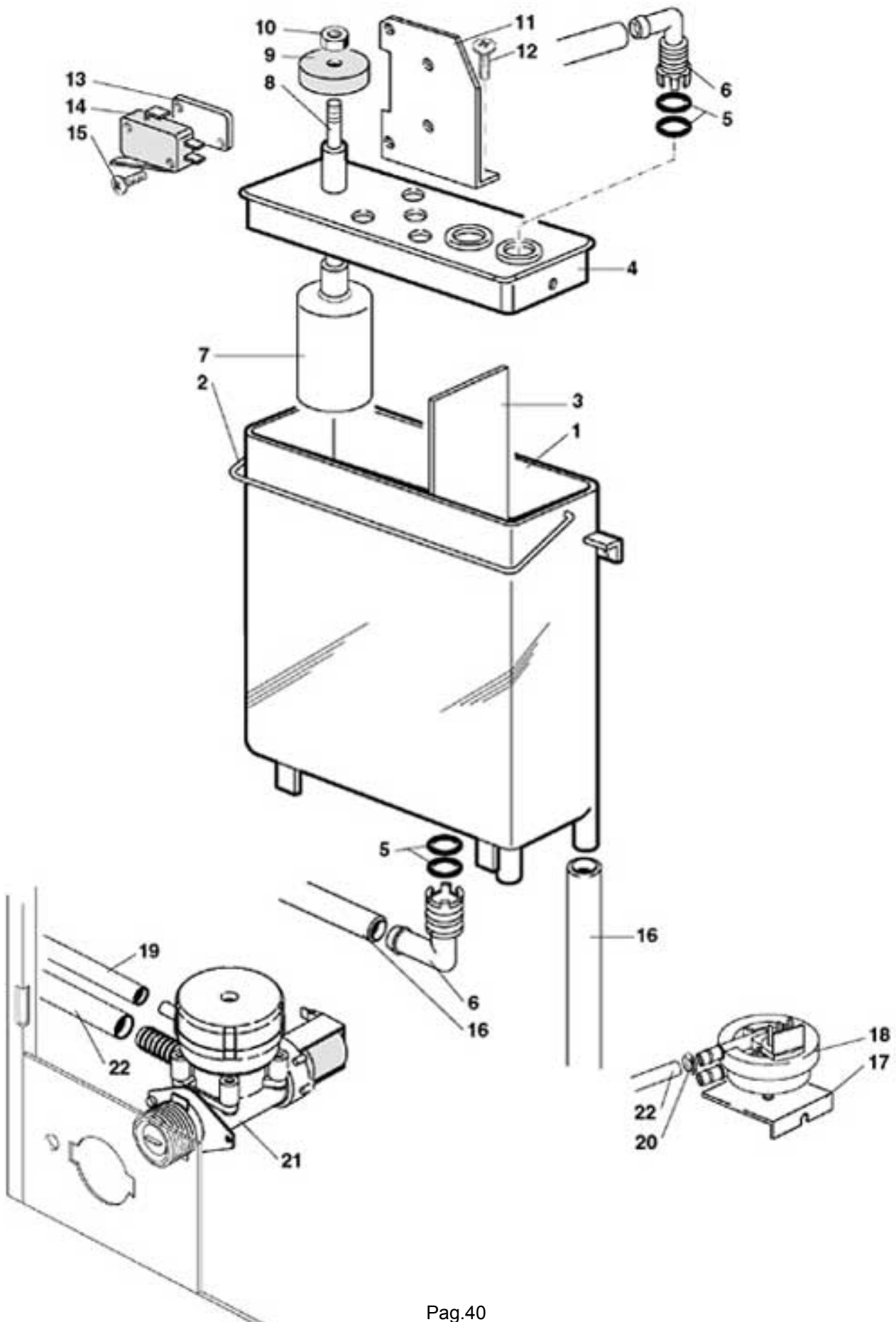
XL BOILER H



XL BOILER H

Pos.	Code	Description
1	0600017105	BOILER TANK AISI 316
2/a	0600017059	BOILER COVER
2/b	0600017062	BOILER COVER
3	ELE0000958R1	EURIPA II SOLUBLES PROBE
4	VIT00011105	M 3x8 STAINLESS STEEL H.H. SCREW
5	GUA0000069	2015 OR
6	NL202101016	SOLUBLES PROBE SUPPORT
7/a	0600011105	1300W 230V INCOLOY SOLUBLES HEATING ELEMENT
7/b	0600011115	HEATING ELEMENT FOR H BOILER
8	GUA0000015	GASKET 119
9	ELE0009008	CLICSON 92°
10	VIT0000014	M 4x16 TCB SCREW
11	0110001095	24DC 70% 2-WAY SOLENOID VALVE O. Up to serial 04219999
11/a	0110010127	CORE W/SPRING FOR VALVE 70% Up to serial 04219999
11	0110001108	24 DCVALVE 2-WAY 70% O From serial 04220001
11/a	0110010132	GASKET FOR EV 0110001108 From serial 04220001
11/b	0110010133	CORE FOR EV. 0110001108 From serial 04220001
12	0110001098	24 V DC 2-WAY VALVE - MULLER
13	0110001081	24 V DC 2-WAY VALVE -ERA
14	0600011036	VALVE CONNECTION PLUG
15	GUA0002006	GASKET 4979
16	TSIL07/11T	TRANSPARENT SILICONE PIPE D.7 x 11
17	650001057	DISCHARGE PLUG
18	FASC000102	D.12 PIPES CLIP
19	0600011107	SOLUBLES PROBE NUT

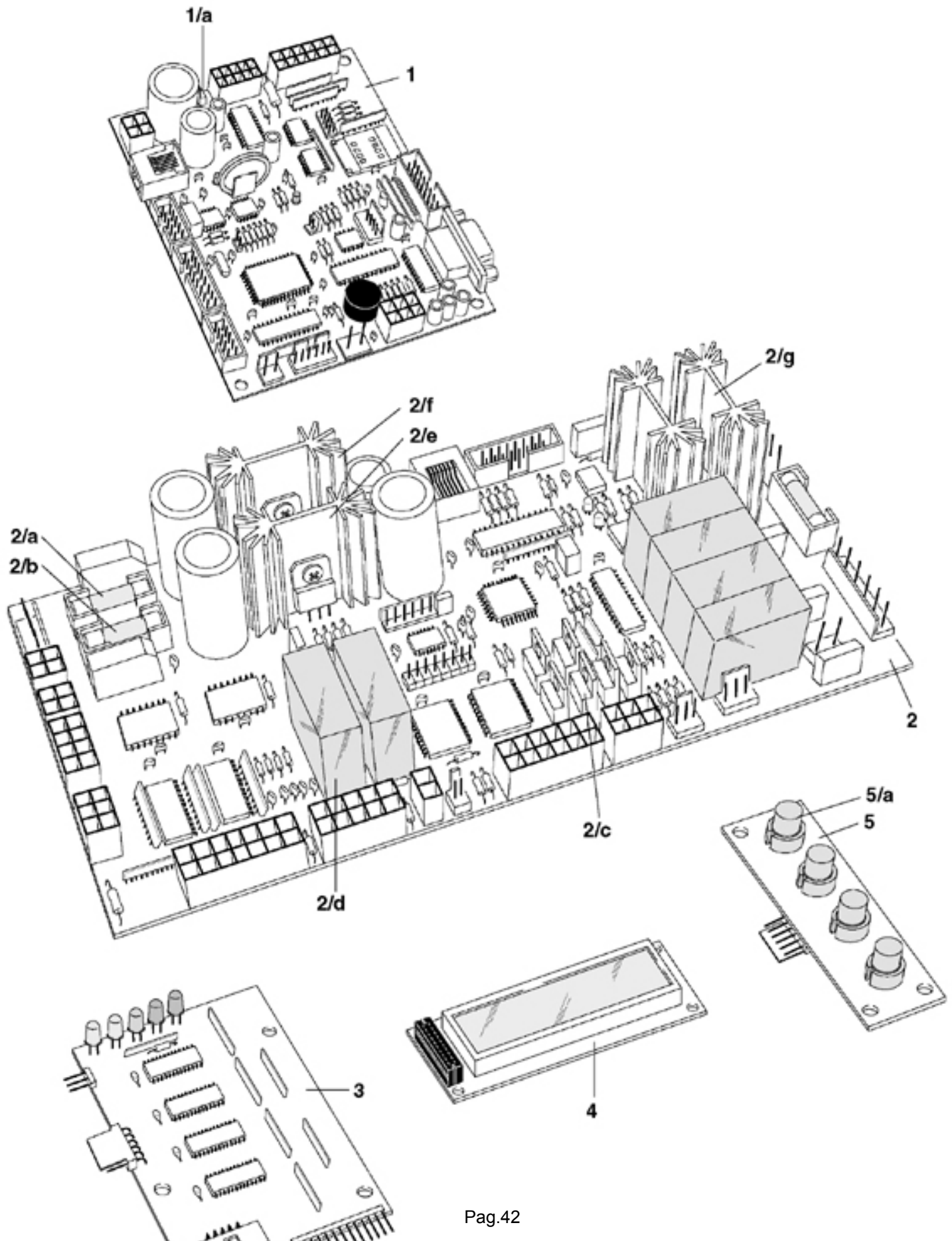
XL WATER INLET PANEL



XL WATER INLET PANEL

Pos.	Code	Description
1	0800009201	SOLUBLE TANK BODY It's part of kit 0800009201R
2	800000035	COVER SECURING RING
3	800000010	TANK INTERNAL WALL
4	0800009221	TANK COVER It's part of kit 0800009201R
5	GUA0000043	OR 109
6	0800009211	ELBOW WITH RAPID CONNECTION
7	600001065	FLOATER
8	800000016	STAINLESS STEEL FLOATER PIN
9	800000017	MICRO FLOATER CONTROL DISK
10	VIT0004812	M 3.5 BRASS NUT
11	800000020A	MICRO FLOATER SUPPORT
12	VIT0002014	TAPPING SCREW TCB 2.9 x 13
13	4600010014	MICRO SPACER
14	ELE0001514	3 A 250 V MICROSWITCH
15	VIT0002012	2.9x 16 TAPPING TCB SCREW
16	TSIL07/11T	TRANSPARENT SILICONE PIPE D.7 x 11
17	0010021031	VOLUME COUNTER SUPPORT
18	0110007003	VOLUME COUNTER W/RUBBERHOLDER
19	TSIL05/08T	TRANSPARENT SILICONE PIPE D.5 x 8
20	FASC000101	PIPES CLIP
21	0110001086	24 DC INLET VALE WITH SAFETY DEVICE (*)
22	TSIL06/09T	TRANSPARENT SILICONE PIPE D.6 x 9
100	0800009220CL	E TANK
101	0800009225CL	H TANK

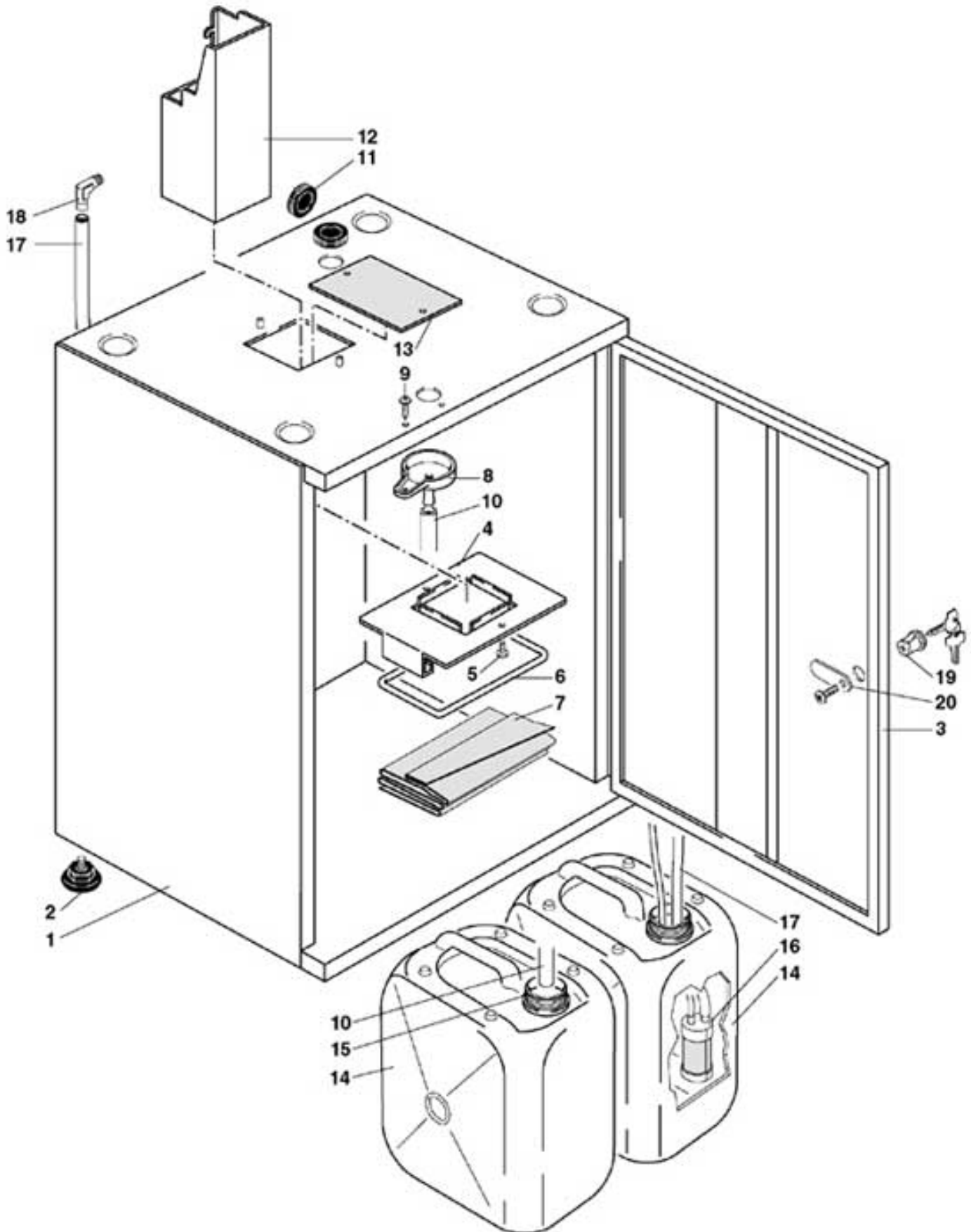
XL CONTROL AND POWER LOGIC



XL CONTROL AND POWER LOGIC

Pos.	Code	Description
1	SCH0007220	CPU W/HOLDER BATTERY
1/a	ELT0004026	TRANSISTOR BTS 141
2	SCH0005140	POWER CARD
2/a	ELE0003025	2A RAPID GLASS FUSE 5x20
2/b	ELE0003028	6,3A SLOW-BLOW GLASS FUSE 5x20
2/c	ELT0004025	TRANSISTOR BTS 133
2/d	ELT0007151	1-WAY 24V D.C. 10A RELAY
2/e	ELT0004026	TRANSISTOR BTS 141
2/f	ELT0030301	INTEGRATED CIRCUIT 7805
2/g	ELT0004209	TRIAC TRIAC 16 A
3	SCH0003960	KEYBOARDS EXPANSION
4	SCH0004020	DISPLAY
5	SCH0003980	PROG./WASHING KEYBOARD
5/a	ELT0030704	D6 ROUND KEY

XL BASE



XL BASE

Pos.	Code	Description
1		SELECT IN THE ORDER THE MODEL OF THE BASE EXPECTED (COLOR, CUPS D.,VERSION)
2	VIT0010501	SETTING PLATT ES.M 8 x 22 D.30 BLACK
3		SELECT IN THE ORDER THE MODEL OF THE BASE EXPECTED (COLOR, CUPS D.,VERSION)
4	0010021236	MARCS BAG RING SUPPORT
5	VIT0007008	M 4 x 10 SCREW
6	0260003011	GROUNDS BAG SUPPORT
7	IMB0000051	COFFEE GROUNDS BAG
8	0010021214	CONE
9	VIT0002455	QUICK-THREAD SCREW 3.5 x 20
10	TSIL14/20T	D.10x14 NATURAL TRANSPARENT SILICONE PIPE
11	GUA0010502	MEMBRANE CORE HITCH Ø 21
12	0010021240	COFFEE GROUNDS CHUTE
13	0010020347	GROUNDS ROOM CLOSING
14	CON0000304	20 LT. CANISTER It's part of kit CON0000304R
15	CON0000305	CANISTER PLUG
16	0110004028	ELEGANT 24V-DC PUMP
17	TSIL07/11T	TRANSPARENT SILICONE PIPE D.7 x 11
18	0100003013	TGV PUMP ELBOW
19	SER0000010	BOX 5 RAPID EXTENSION LOCK
20	SER0001005	LOCK BRACKET