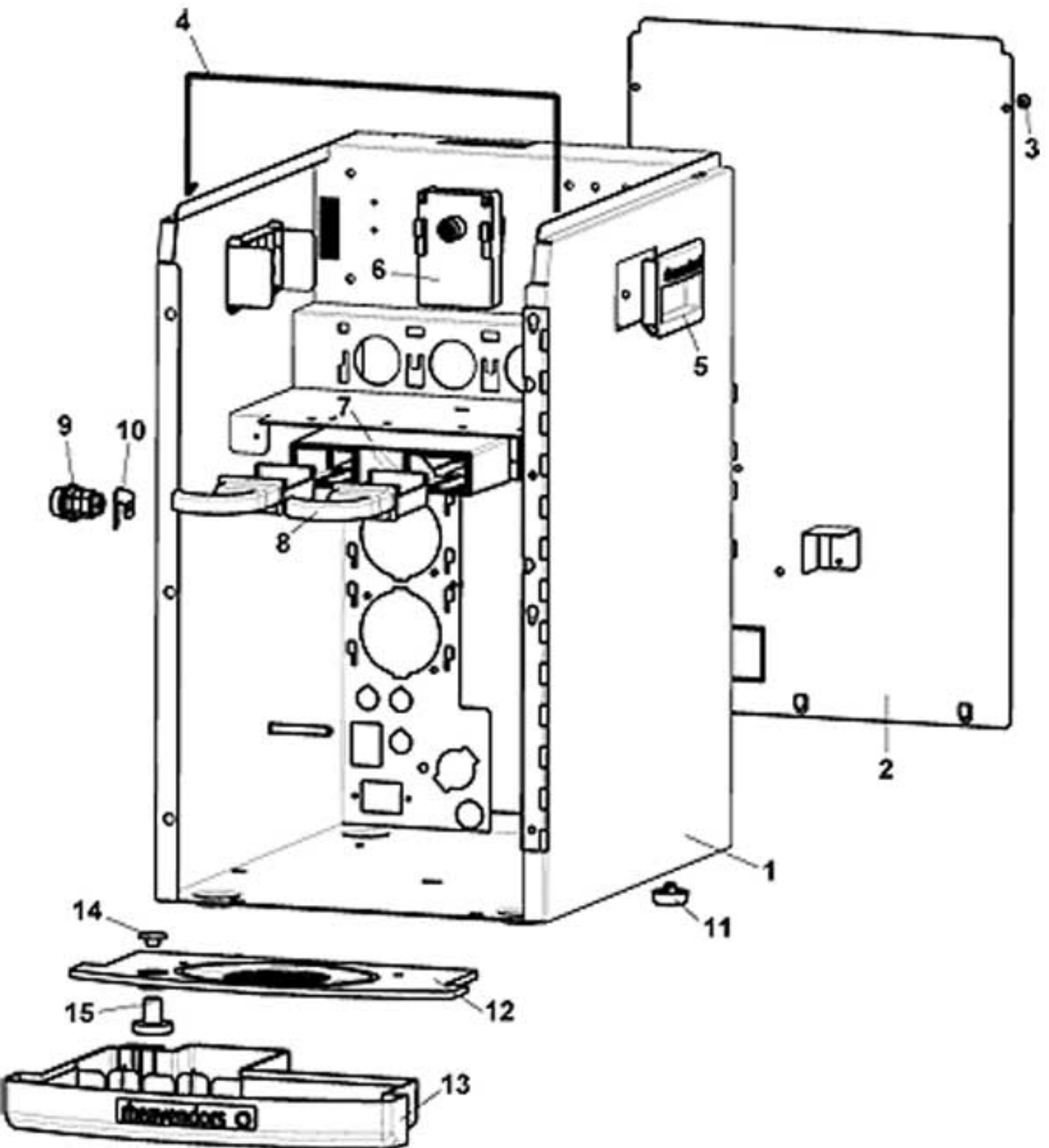


vending machine

[XX OC]

spare parts manual

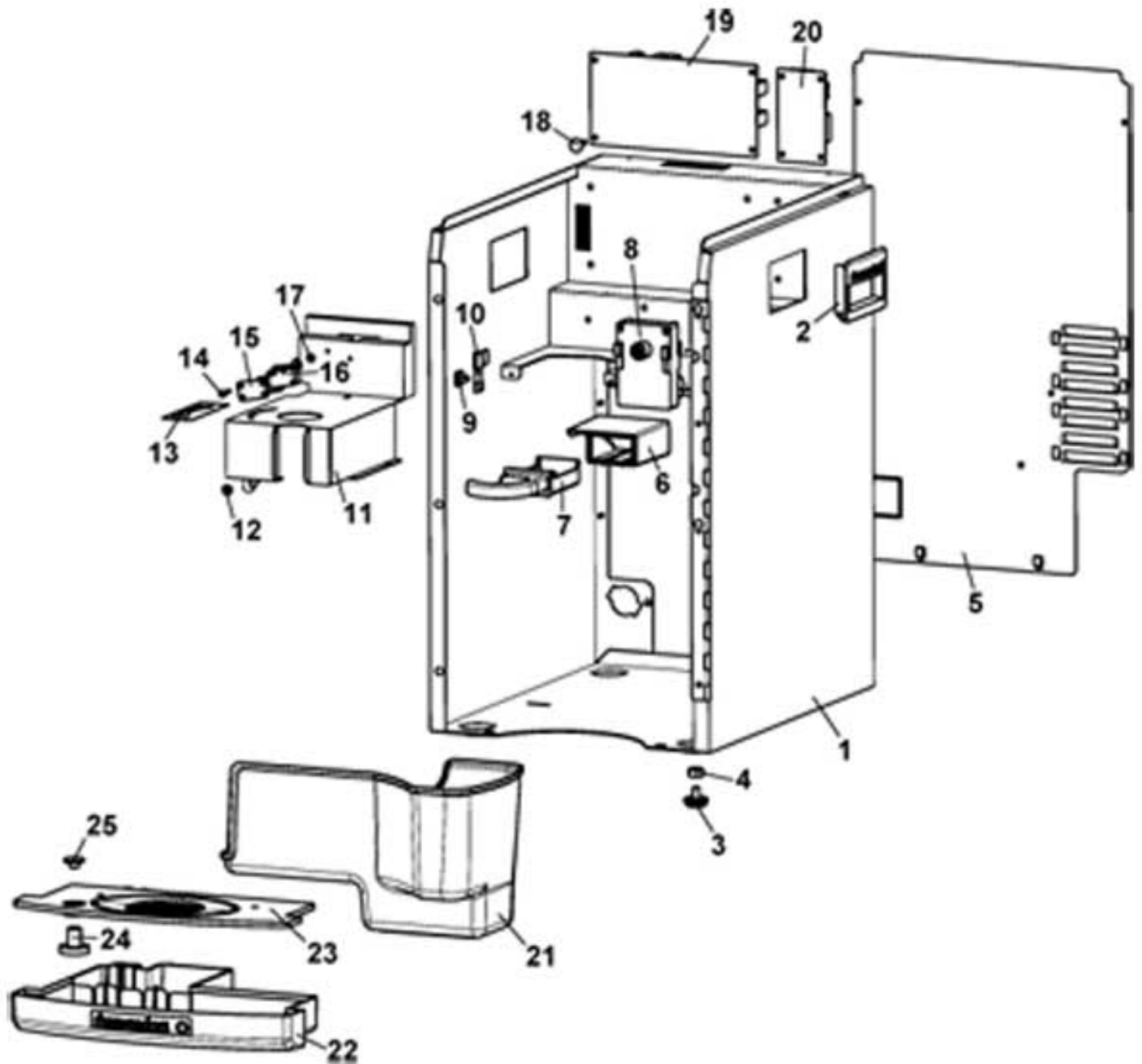
## XX OC CABINET (INSTANT VERSION)



## XX OC CABINET (INSTANT VERSION)

Pos.	Code	Description
1	0010027335	XX OC CABINET STRUCTURE
2	0010027320	BACK COVER
	0010027320CM	BACK COVER MERCEDES GREY RAL 9006
	0010027320CZ	BACK COVER IRON GREY RAL 7011
	0010027320GH	BACK COVER BEIGE RAL 1015
3	VIT0002401	SCREW TCB 3.5 x 9.5
4	0010027262	UPPER COVER CONNECTION
5	0010027058	EXTERNAL HANDLE
	0010027058CU	EXTERNAL HANDLE NISSAN SILVER GREY
	0010027058NA	EXTERNAL HANDLE BLACK
6	0090002113	24V DC 97RPM PRODUCT GEAR MOTOR
7	0010027021	EXHAUST DRAWER
8	0010027022	EXTERNAL EXHAUST DRAWER
9	SER0000024	LOCK 154 BOX 5 DT mm 20 RAPID
10	0020035615	LOCK BRACKET
11	GUA0011011	D.25 SELFLOCKING FEET WITH PIN
12	0020037117	WATER COLLECTION TRAY GRATE
	0020037117AG	WATER COLLECTION TRAY GRATE TRASPARENT OPALINE WHITE
	0020037117CF	WATER COLLECTION TRAY GRATE ANTHRACITE GREY RAL 7016
	0020037117NA	WATER COLLECTION TRAY GRATE BLACK
	0020037117XC	WATER COLLECTION TRAY GRATE CHROMATE
13	0020037116	WATER TRAY
	0020037116CF	WATER TRAY ANTHRACITE GREY RAL 7016
	0020037116CM	WATER TRAY MERCEDES GREY RAL 9006
	0020037116CV	WATER TRAY EUROCOLOR GREY 92080
	0020037116GH	WATER TRAY BEIGE RAL 1015
	0020037116NA	WATER TRAY BLACK
	0020037116NC	WATER TRAY EUROCOLOR BLACK 98015
14	0020037045	BLACK UPPER FLOATER "T"
15	0020037046	LOWER FLOATER "T"

## XX OC CABINET (PRESOBOEAN VERSION)

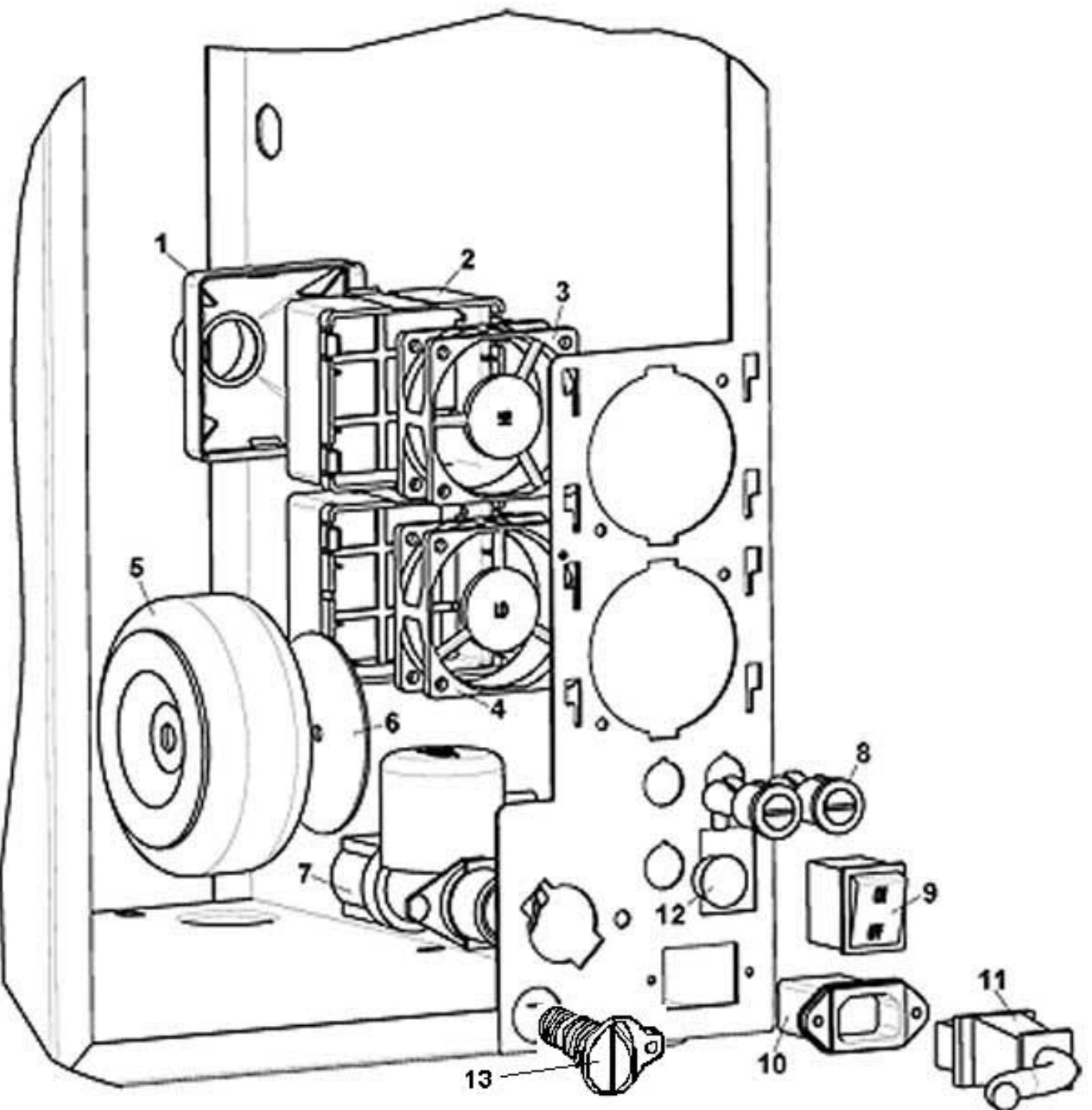


## XX OC

### CABINET (PRESSOBEAN VERSION)

Pos.	Code	Description
1	0010027425	CABINET STRUCTURE
2	0010027058	EXTERNAL HANDLE
	0010027058CU	EXTERNAL HANDLE NISSAN SILVER GREY
	0010027058NA	EXTERNAL HANDLE BLACK
3	0010020169	CABINET FEET ASSEMBLY
4	VIT0004508	NUT M6 x 7
5	0010027228	BACK COVER
6	0010027214	EXHAUST DRAWER
7	0010027022	EXTERNAL EXHAUST DRAWER
8	0090002113	24V DC 97RPM PRODUCT GEAR MOTOR
9	ELE0062253	ADHESIVE CABLE STOP
10	0270011109	SERVICE KEY ASSEMBLY
11	0010027248	BLACK COVER E MILL
12	VIT0002401	SCREW TCB 3.5 x 9.5
13	0010027249	sticker of e mill
14	VIT0000007	M 3x20 TCB SCREW
15	4600010014	MICRO SPACER
16	ELE0001522	1-WAY 16 A 250 V MICROSWITCH
17	VIT0004701	M3 FR NUT
18	ELE0062013	PIN BOARD SUPPORT
19		See table CONTROL AND POWER LOGIC
20		See table CONTROL AND POWER LOGIC
21	0010027229-02	GROUNDS CONTAINER
22	0020037116	WATER TRAY
	0020037116CF	WATER TRAY ANTHRACITE GREY RAL 7016
	0020037116CM	WATER TRAY MERCEDES GREY RAL 9006
	0020037116CV	WATER TRAY EUROCOLOR GREY 92080
	0020037116GH	WATER TRAY BEIGE RAL 1015
	0020037116NA	WATER TRAY BLACK
	0020037116NC	WATER TRAY EUROCOLOR BLACK 98015
23	0020037117	WATER COLLECTION TRAY GRATE
	0020037117AG	WATER COLLECTION TRAY GRATE TRASPARENT OPALINE WHITE
	0020037117CF	WATER COLLECTION TRAY GRATE ANTHRACITE GREY RAL 7016
	0020037117NA	WATER COLLECTION TRAY GRATE BLACK
	0020037117XC	WATER COLLECTION TRAY GRATE CHROMATE
24	0020037046	LOWER FLOATER "T"
25	0020037045	BLACK UPPER FLOATER "T"

## XX OC REAR VIEW CABINET H



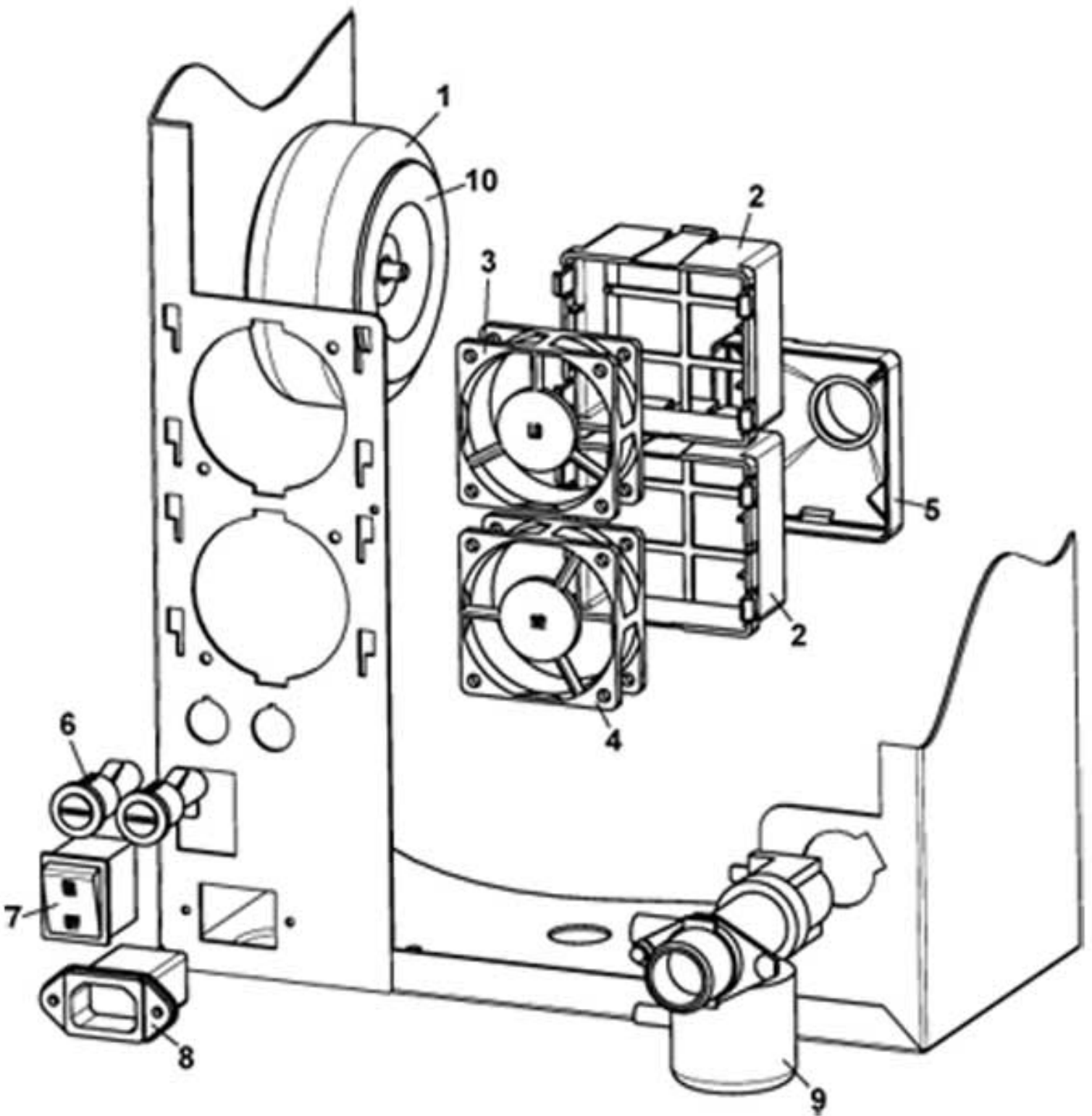
XX OC

## REAR VIEW CABINET H

Pos.	Code	Description
1	0010027065	FAN CONNECTION
2	0010027064	FAN COVER
3	ELE0000461	AXIAL FAN 24DC- HIGH SPEED
4	ELE0000462	AXIAL FAN 24DC-LOWER SPEED
5	ELE0000555R	TOROIDAL TRANSFORMER 230V
6	0010027319	TRANSFORMER DISK
7	0110001119	24V INLET SAFETY VALVE
8	ELE0003508CL	FUSES HOLDER + FUSES
9	ELE0002014	BIPOLAR SWITCH 15A 250V
10	ELE0002315	SOCKET 115/250V 10A WITH FILTER
11	ELE0055008	POWER LEAD 3X1 WITH IEC PLUG AND SCHUKO SOCKET
12	GUA0011010	PLUG
13	0600016455	WATER OUTLET PLUG

XX OC

REAR VIEW CABINET (PRESSOBEAN VERSION)



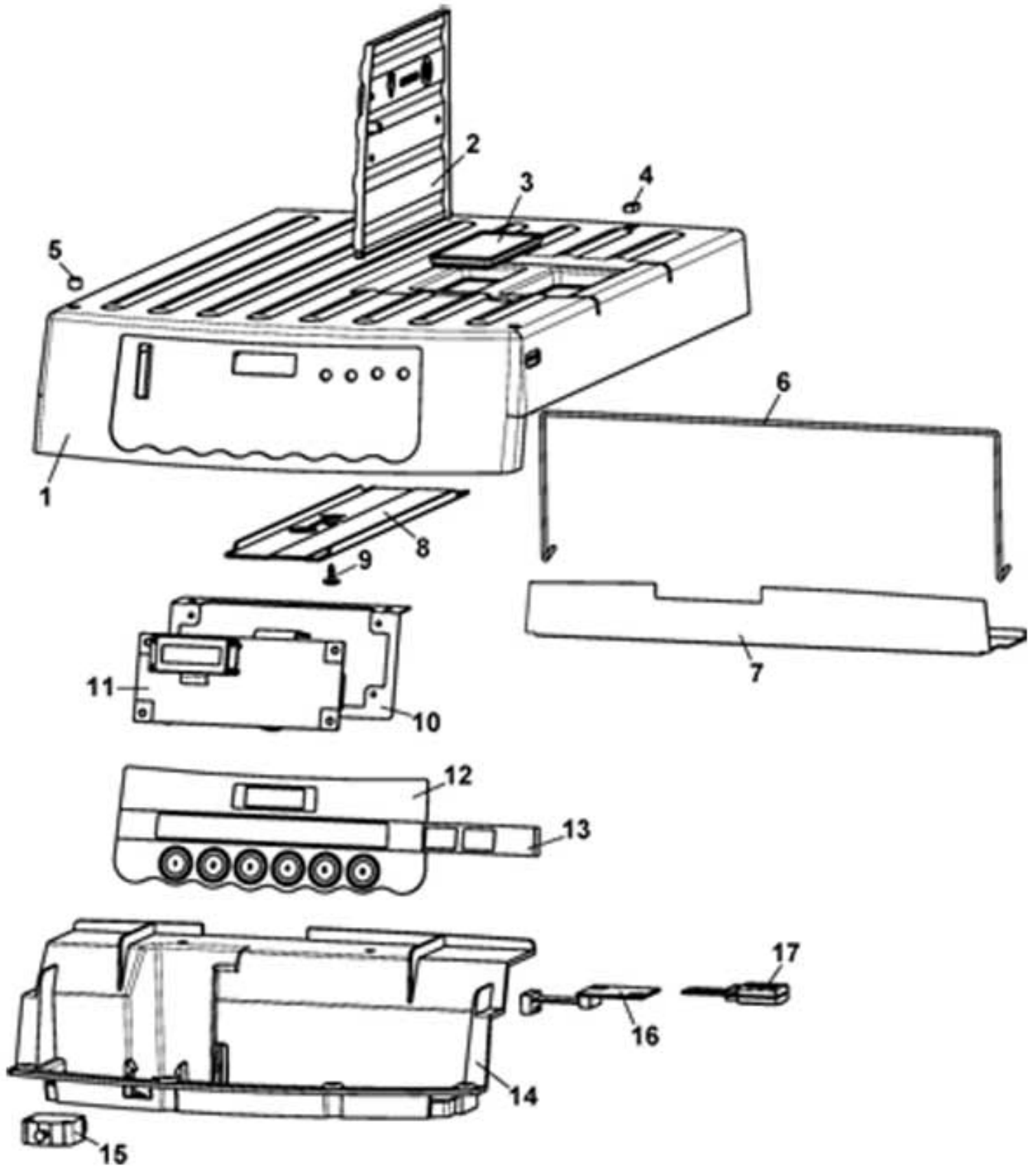


XX OC

## REAR VIEW CABINET (PRESSOBEAN VERSION)

Pos.	Code	Description
1	ELE0000555R	TOROIDAL TRANSFORMER 230V
2	0010027064	FAN COVER
3	ELE0000462	AXIAL FAN 24DC-LOWER SPEED
4	ELE0000461	AXIAL FAN 24DC- HIGH SPEED
5	0010027065	FAN CONNECTION
6	ELE0003508CL	FUSES HOLDER + FUSES
7	ELE0002014	BIPOLAR SWITCH 15A 250V
8	ELE0002315	SOCKET 115/250V 10A WITH FILTER
9	0110001058	24V INLET SAFETY VALVE
10	0010027319	TRANSFORMER DISK

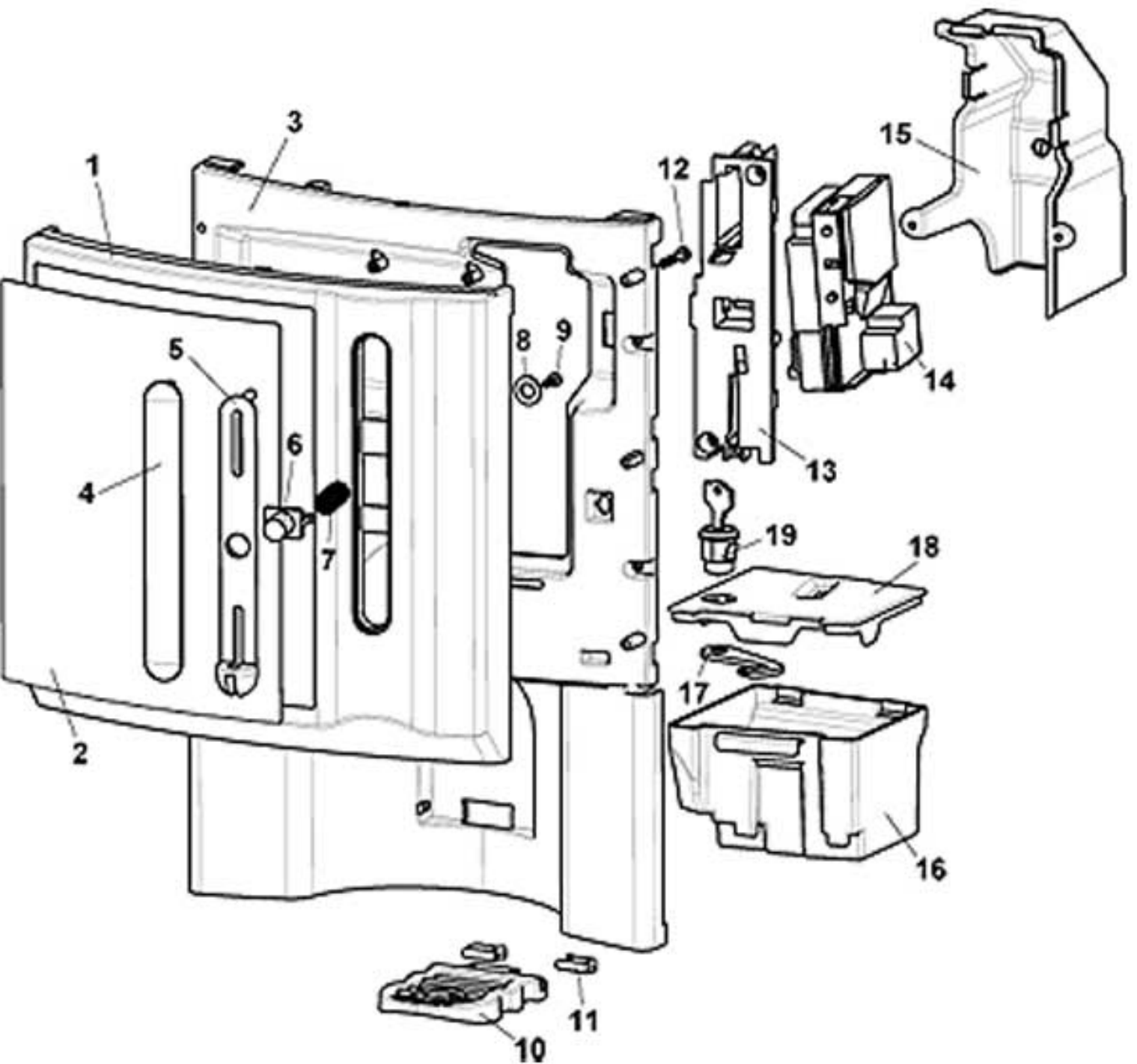
## XX OC UPPER COVER



## XX OC UPPER COVER

Pos.	Code	Description
1	0010027251	UPPER COVER
	0010027251CG	UPPER COVER LIGHT GREY RAL 7035
	0010027251CM	UPPER COVER MERCEDES GREY RAL 9006
	0010027251CU	UPPER COVER NISSAN SILVER GREY
	0010027251CV	UPPER COVER EUROCOLOR GREY 92080
	0010027251GH	UPPER COVER BEIGE RAL 1015
	0010027251NA	UPPER COVER BLACK
2	0010027252	H2O COVER
	0010027252CG	H2O COVER LIGHT GREY RAL 7035
	0010027252CM	H2O COVER MERCEDES GREY RAL 9006
	0010027252CU	H2O COVER NISSAN SILVER GREY
	0010027252CV	H2O COVER EUROCOLOR GREY 92080
	0010027252GH	H2O COVER BEIGE RAL 1015
	0010027252NA	H2O COVER BLACK
3	0010027259	H2O HOLE PLUG
4	0010027343	RING SUPPORT PLUG
5	0010027344	RING PLUG
6	0010027262	UPPER COVER CONNECTION
7	0010027260	UPPER COVER HINGE
8	0010027274-01	CABLES COVER
9	VIT0002401	SCREW TCB 3.5 x 9.5
10	0010027268	DISPLAY BOARD SUPPORT
11		See table CONTROL AND POWER LOGIC
12	0010027351	KEYBOARD
13		
14	0010027253	UPPER COVER CLOSING
	0010027253CM	UPPER COVER CLOSING MERCEDES GREY RAL 9006
	0010027253CV	UPPER COVER CLOSING EUROCOLOR GREY 92080
	0010027253GH	UPPER COVER CLOSING BEIGE RAL 1015
	0010027253NA	UPPER COVER CLOSING BLACK
15	ELE0002019	DOOR SWITCH 16A-250V UL
16		See table CONTROL AND POWER LOGIC
17	0020040310CL	RHEA FLASH MEMORY

XX OC  
DOOR

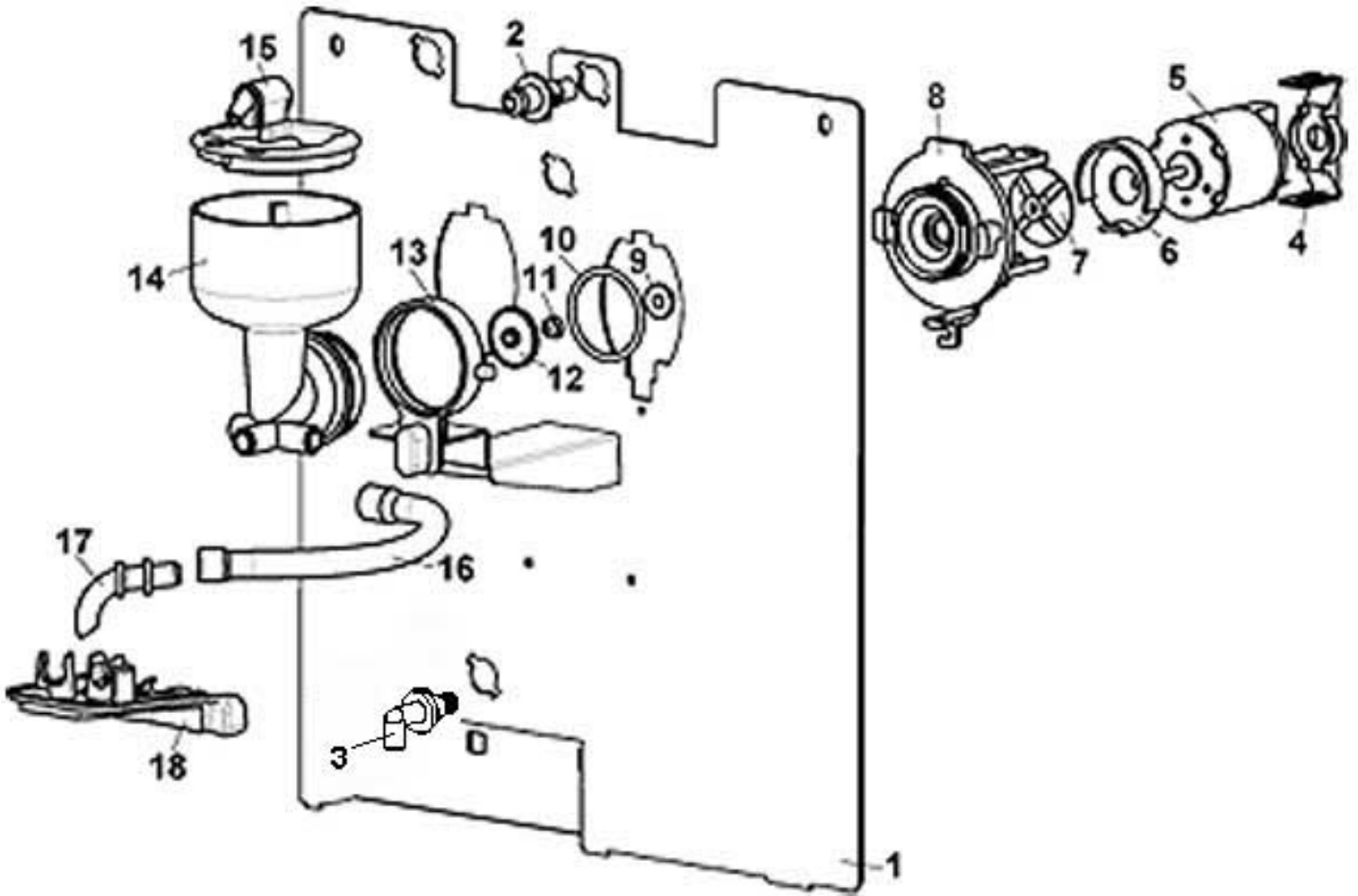


## XX OC DOOR

Pos.	Code	Description
1	0020037143	XX OC DOOR
	0020037143CG	XX OC DOOR LIGHT GREY RAL 7035
	0020037143CM	XX OC DOOR MERCEDES GREY RAL 9006
2		
3	0020037142	DOOR STRUCTURE
4	0020035029	COIN BOX BLOCKING TAB
	0020035029CG	COIN BOX BLOCKING TAB LIGHT GREY RAL 7035
	0020035029CM	COIN BOX BLOCKING TAB MERCEDES GREY RAL 9006
	0020035029EC	COIN BOX BLOCKING TAB BROWN RAL 8022
	0020035029KB	COIN BOX BLOCKING TAB BRICK RED 153154
	0020035029NA	COIN BOX BLOCKING TAB BLACK
5	0020035031	RED COIN BOX tab 153154
	0020035031CF	RED COIN BOX tab 153154 ANTHRACITE GRAY RAL 7016
	0020035031CG	RED COIN BOX tab 153154 LIGHT GREY RAL 7035
	0020035031CM	RED COIN BOX tab 153154 MERCEDES GREY RAL 9006
	0020035031EC	RED COIN BOX tab 153154 BROWN RAL 8022
	0020035031KB	RED COIN BOX tab 153154 BRICK RED 153154
	0020035031NA	RED COIN BOX tab 153154 BLACK
6	0020035033	COIN RETURN BUTTON
	0020035033CM	COIN RETURN BUTTON MERCEDES GREY RAL 9006
	0020035033EC	COIN RETURN BUTTON BROWN RAL 8022
	0020035033KA	COIN RETURN BUTTON SIGNAL RED RAL 3020
	0020035033KB	COIN RETURN BUTTON BRICK RED 153154
	0020035033NA	COIN RETURN BUTTON BLACK
7	0020035034	COIN RETURN BUTTON SPRING
8	VIT0003006	8.4x17x1.6 WASHER
9	VIT0002469	SCREW TC 3.5 x 10
10	0020037122	CUP SUPPORT TRAY
	0020037122AG	CUP SUPPORT TRAY TRASPARENT OPALINE WHITE
	0020037122NA	CUP SUPPORT TRAY BLACK
11	0020037124	PIN
	0020037124NA	PIN BLACK
12	VIT0002461	SCREW TCCRT 4,2 x 26
13	0020035032	COIN MECHANISM SUPPORT
	0020035032NA	COIN MECHANISM SUPPORT BLACK
14		
15	0020037129	COIN BOX PROTECTION
16	0020037126	COIN BOX
17	0020037128	COIN BOX HOOK
18	0020037127	COIN BOX COVER
19	SER0000015	LOCK
100	0020037125CL	COIN BOX ASSEMBLY (FROM POS. 16 TO POS. 19)

\*

## XX OC MIXER PLAN

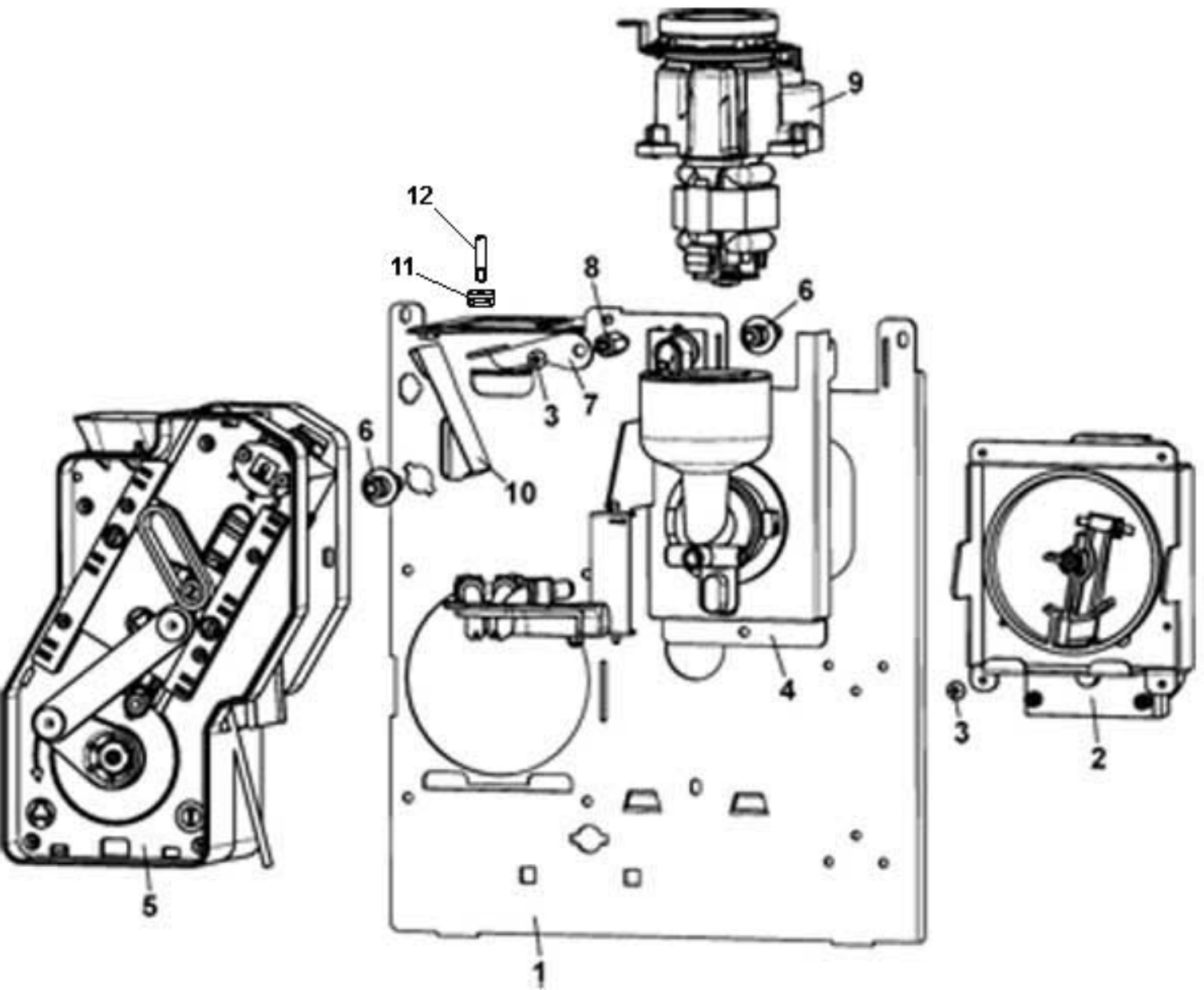


## XX OC MIXER PLAN

Pos.	Code	Description
1	0010027315	MIXER PLAN
	0010027315CM	MIXER PLAN MERCEDES GREY RAL 9006
	0010027315CZ	MIXER PLAN IRON GREY RAL 7011
	0010027315GH	MIXER PLAN BEIGE RAL 1015
2	0080100043	WATER OUTLET
3	0080100084	90° CONNECTION
4	0080100009	MOTOR CONNECTION COVER
	0080100009IC	MOTOR CONNECTION COVER ORANGE RAL 2011
5	0090003023	24 V DC MIXER MOTOR SHAFT D.4
6	0080100023	MIXER COVER
	0080100023IC	MIXER COVER ORANGE RAL 2011
7	0080100011	SMALL FAN MIXER SHAFT D.4
8	0080100005	MIXER BASE
9	0080100015	MIXER BASE BUSH
10	GUA0000084	GASKET 3131
11	0080100101	MIXER GASKET - SHAFT D.4
12	0080100024	DRIP TRAP FAN
13	0080100006	STOPPER RING
	0080100006IC	STOPPER RING ORANGE RAL 2011
14	0080100041	MIXER WITH BODY
15	0080100042NA	MIXER RING WITH INLET PIPE (BLACK)
16	TSIL06/11T	TRANSPARENT SILICONE PIPE
17	0010020052	SPOUT DELIVERY
18	0020037123	PIPES SUPPORT
	0020037123NA	PIPES SUPPORT BLACK
100	0080100001R	MIXER BASE+MOTOR ASSEMBLY

assieme

## XX OC ASSEMBLED MIXER PLAN

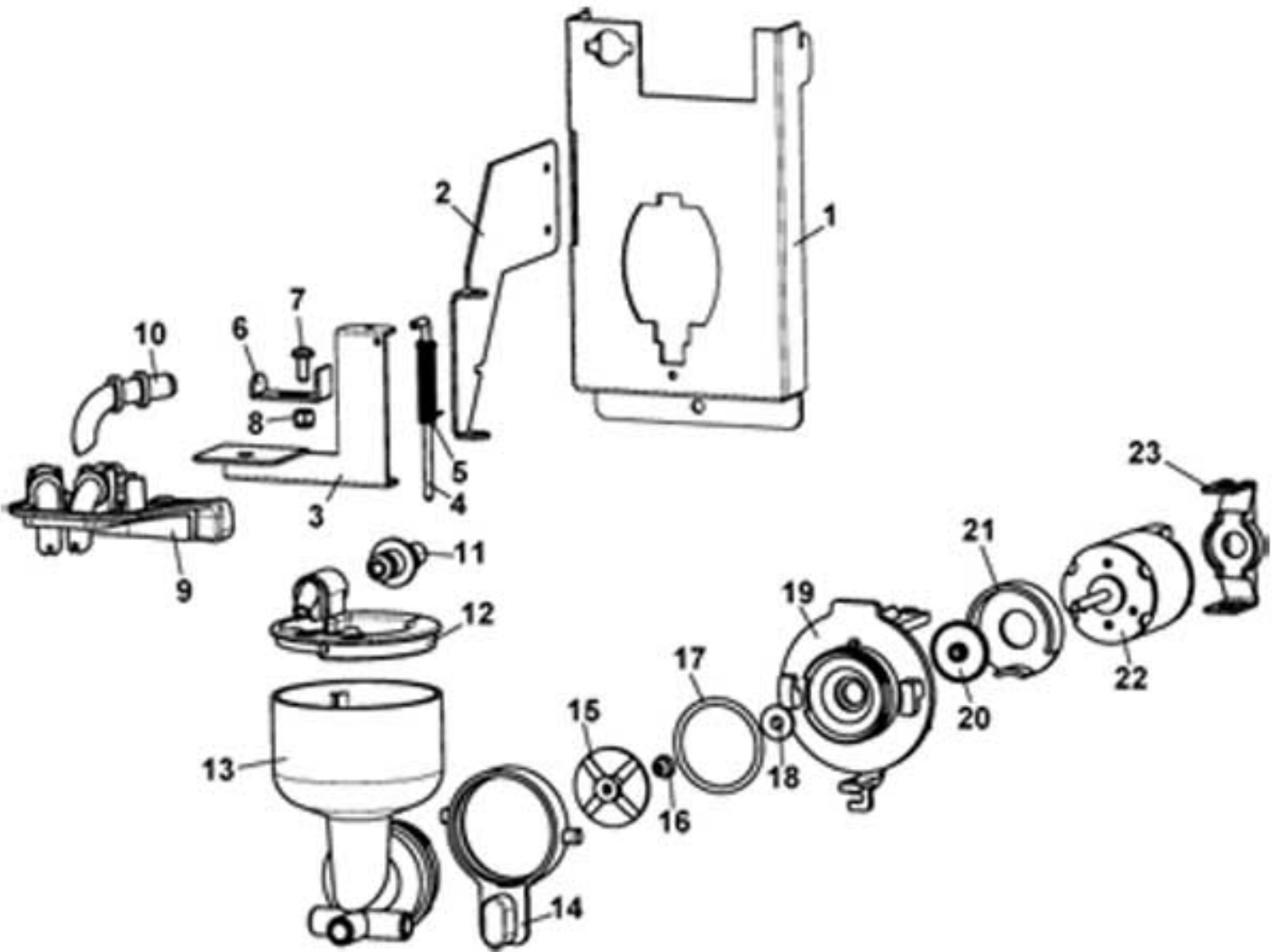




## XX OC

### ASSEMBLED MIXER PLAN

Pos.	Code	Description
1	0010027219	MIXER PLAN
2		See table MICRO COFFEE GROUP MOTOR SUPPORT
3	VIT0000030	SCREW TCB M4 x 7
4		See table MIXER
5		See table MICRO COFFEE GROUP
6	0080100043	WATER OUTLET
7	0010027226	COFFEE BEANS GROUP FIXING LEVER
8	0010020196	HOOKING BLOCK
9		See table VERTICAL MILL GROUP
10	0250008038	COFFEE BEANS GROUP COBE CHUTE
11	GUA0010551	20/65/15 ANTIVIBRATION
12	VIT0009165	E MILL SCREW



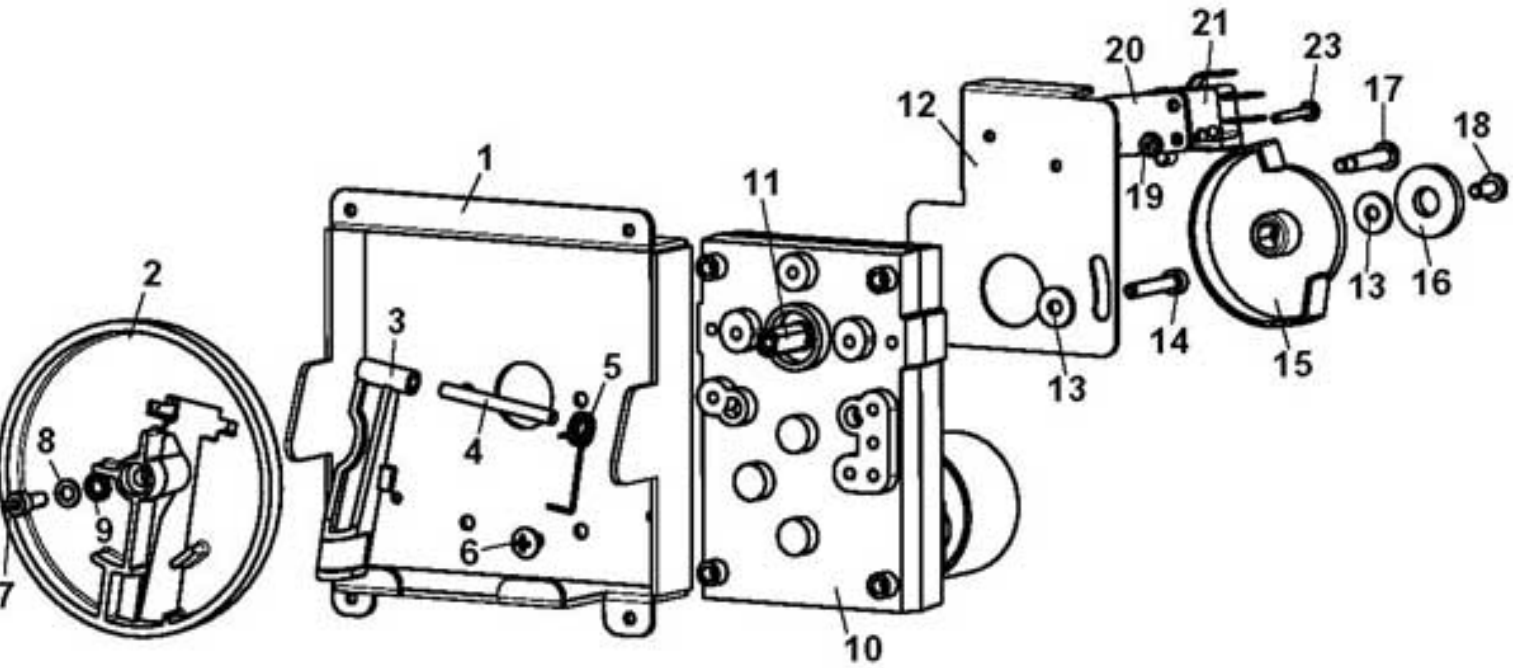
## XX OC MIXER

Pos.	Code	Description
1	0010027215	MIXER SUPPORT
2	0010027246	JOIN SIDE
3	0010027247	JOIN FRONTAL
4	0010020137	JOIN PIN
5	0010020138	JOINT SPRING
6	0010020737-02	LEVER STOP JOIN
7	VIT0000038	M 4x10 TCB SCREW
8	VIT0004810	M 4 SELFLOCKING NUT
9	0020037123	PIPES SUPPORT
	0020037123NA	PIPES SUPPORT BLACK
10	0010020052	SPOUT DELIVERY
11	0080100043	WATER OUTLET
12	0080100042NA	MIXER RING WITH INLET PIPE (BLACK)
13	0080100041	MIXER WITH BODY
14	0080100006	STOPPER RING
	0080100006IC	STOPPER RING ORANGE RAL 2011
15	0080100011	SMALL FAN MIXER SHAFT D.4
16	0080100101	MIXER GASKET - SHAFT D.4
17	GUA0000084	GASKET 3131
18	0080100015	MIXER BASE BUSH
19	0080100005	MIXER BASE
20	0080100024	DRIP TRAP FAN
21	0080100023	MIXER COVER
	0080100023IC	MIXER COVER ORANGE RAL 2011
22	0090003023	24 V DC MIXER MOTOR SHAFT D.4
23	0080100009	MOTOR CONNECTION COVER
	0080100009IC	MOTOR CONNECTION COVER ORANGE RAL 2011
100	0010027215CL	ASSEMBLED MIXER SUPPORT
101	0080100004R	MIXER BASE+MOTOR ASSEMBLY FROM POS. 15 TO POS. 23

XX OC

MICRO COFFEE GROUP MOTOR SUPPORT

---



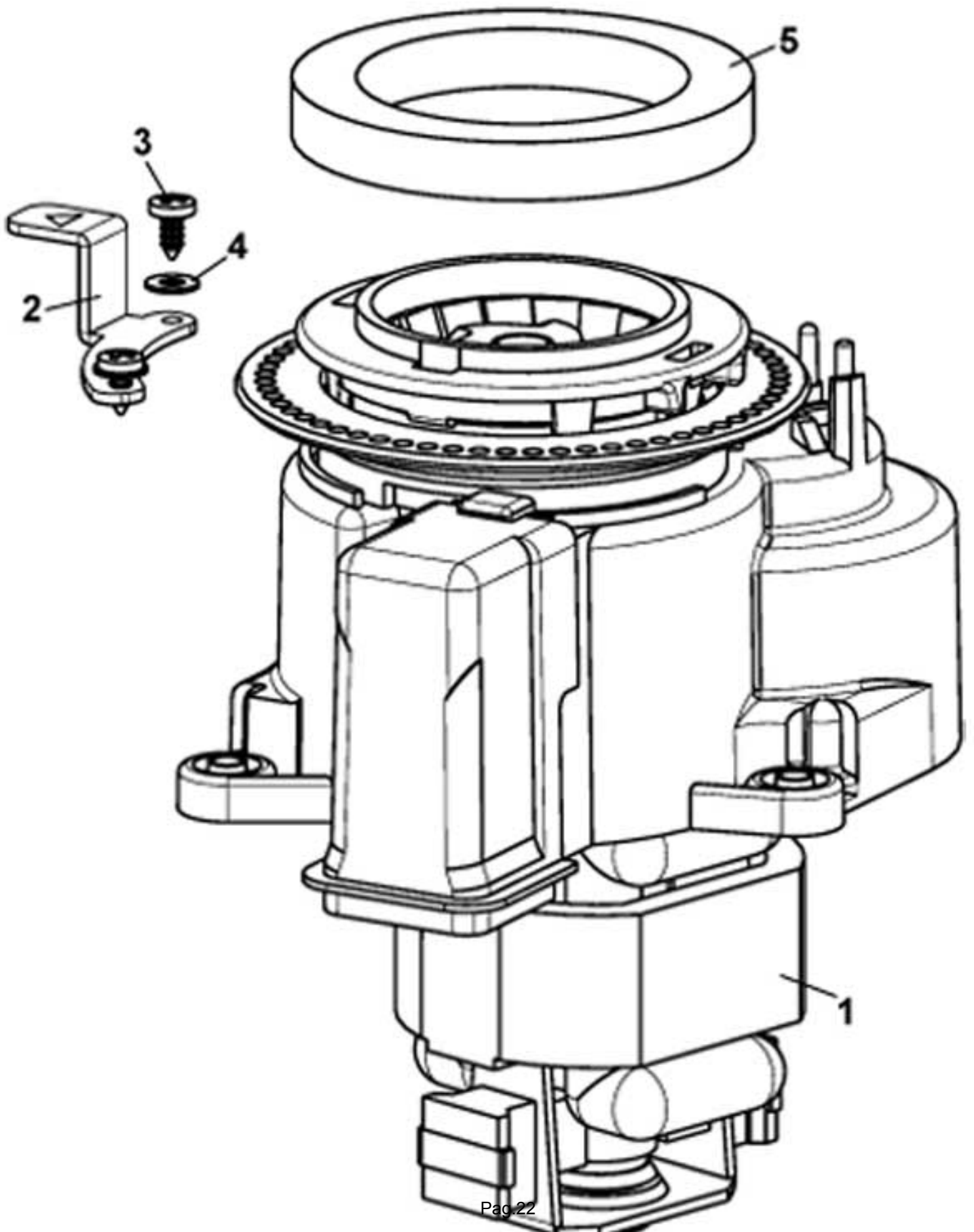
**XX OC**

## **MICRO COFFEE GROUP MOTOR SUPPORT**

Pos.	Code	Description
1	0260010128	MICRO GROUP MOTOR SUPPORT
2	0250008012	MOTOR CRANK
3	0250008034	HOOKING LEVER
4	VIT0005205	4 x 40 CYLINDRICAL PIN
5	0250008059	SPRING FOR HOOKING LEVER
6	VIT0000030	SCREW TCB M4 x 7
7	VIT0005508	4x12 TCEI SCREW
8	VIT0003003	WASHER D.8 x 4.3 x 0.8
9	VIT0003103	WASHER tab D. 4.3
10	0090002191	11 RPM 24V DC MOTOR
11	0090002181	COFFEE BEANS GROUP SHAFT
12	0250008093	MICRO PLATE
13	VIT0003301	WASHER D.12 x 4.3 x 1.5
14	VIT0005521	4x25 TCEI SCREW
15	0250008043	GROUP READER DISK
16	0250008091	MICRO SPACER
17	0250008126	SPECIAL M4 PIN
18	VIT0000012	SCREW T.C.B. M 4 x 10
19	VIT0004701	M3 FR NUT
20	4600010014	MICRO SPACER
21	ELE0001529	MICRO WITH LEVER
23	VIT0000007	M 3x20 TCB SCREW
100	0260010128CL	230V ASSEMBLED MICRO GROUP MOTOR SUPORT
101	0090002191R	ASSEMBLED 11 RPM 24V DC MOTOR POS. 10+11

## XX OC VERTICAL MILL GROUP

---

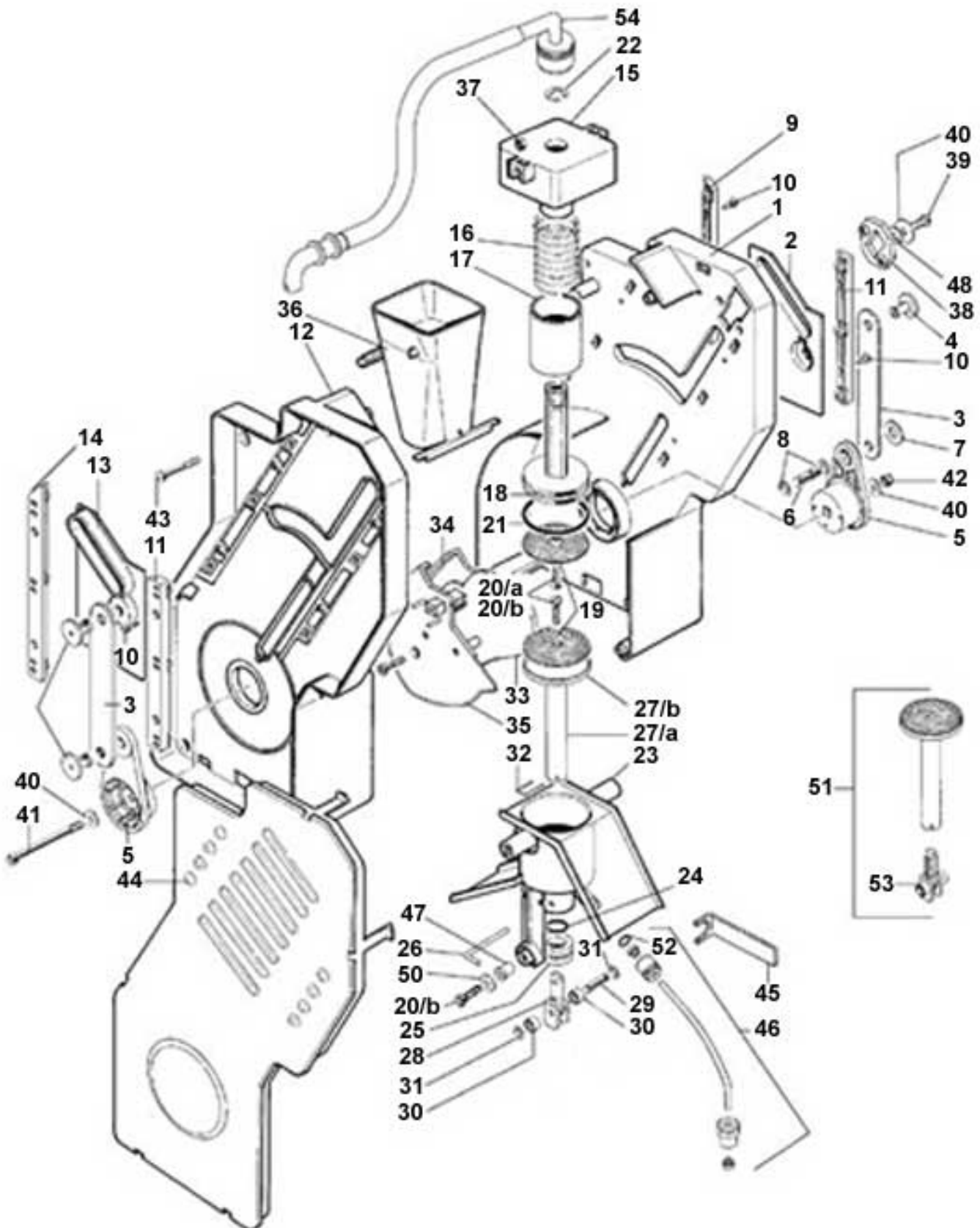


XX OC

**VERTICAL MILL GROUP**

Pos.	Code	Description
1/a	0320004500CL	230V E MILL WITH REGULATION FOR COFFEE BEANS GROUP D. 36
1/b	0320004500CL1	230V E MILL WITH REGULATION FOR COFFEE BEANS GROUP D. 40
2	0010027202	E MILL REGULATION LEVER
3	VIT0002001	TCB 2.9x 6.5 TAPPING SCREW
4	VIT0003002	D.3.2x7x0.5 WASHER
5	0320004504	E-MILL GASKET

## XX OC MICRO COFFEE GROUP



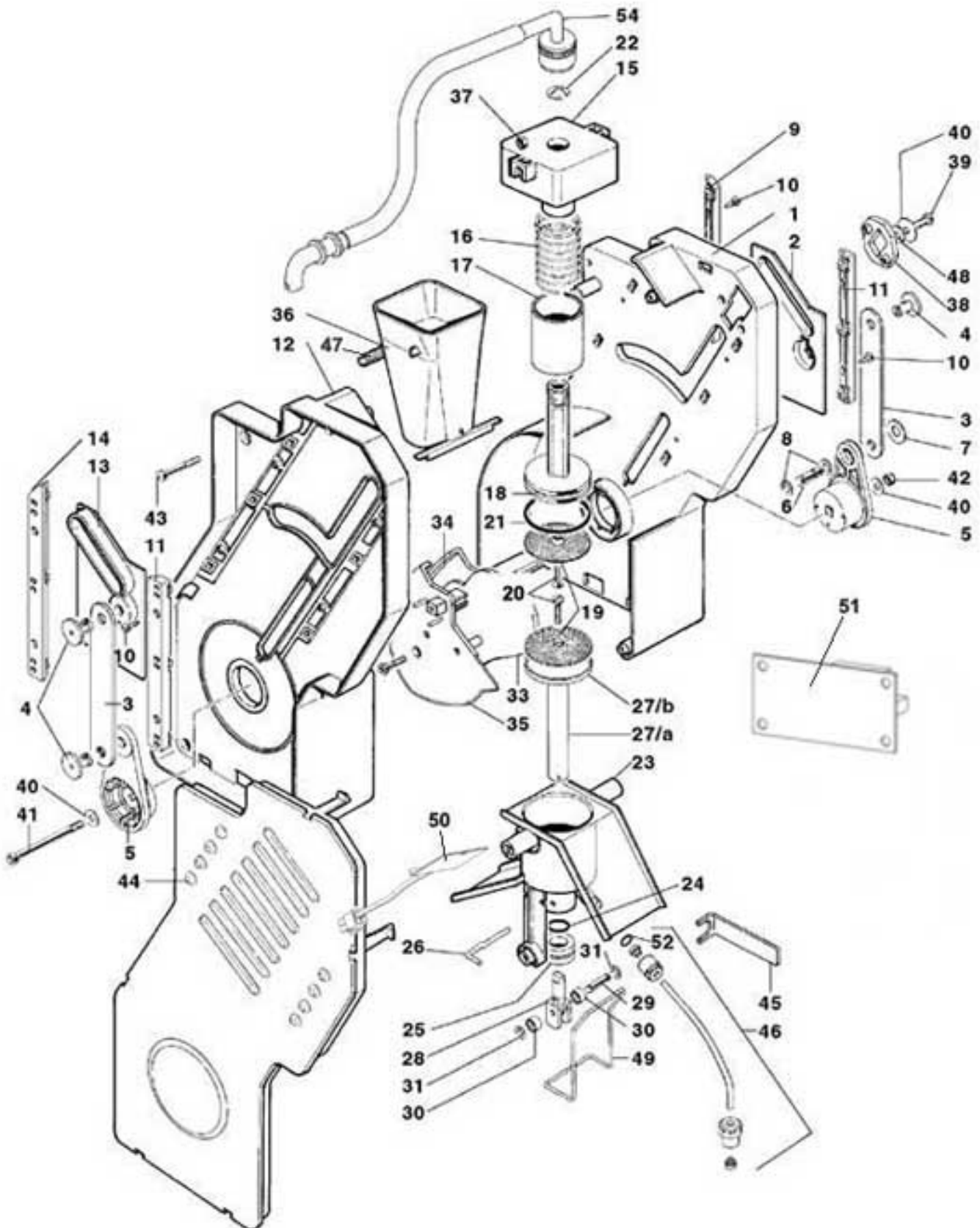


## XX OC MICRO COFFEE GROUP

Pos.	Code	Description
1	0250008005	R.H. FRAME It's part of kit 0250008005R
2	0250008084	R.H. INFUSION CHAMBER CAM
3	0250008009	CONNECTING ROD
4	0250008028	PIN FOR CONNECTING ROD
5	0250008011	R.H. CRANK
6	0250008014	MOTOR CRANK PIN
7	0250008042	ANTIVIBRATION WASHER
8	VIT0006515	D.5 RADIAL STOP RING
9	0250008031	R.H. REAR GUIDE
10	VIT0002026	3.5x 6.5 STAINLESS STEEL TAPPING TCB SCREW
11	0250008033	FRONT GUIDE
12	0250008006	L.H. FRAME It's part of kit 0250008005R
13	0250008085	L.H. INFUSION CHAMBER CAM
14	0250008032	L.H. REAR GUIDE
15	0250008086	UPPER FILTER SUPPORT
16	0250008024	UPPER FILTER SPRING
17	0250008087	SPRING COVER PIPE
18/a	0250008026	D.36 UPPER FILTER FOR COFFEE BEANS GROUP D. 36
18/b	0250008208	D.40 UPPER FILTER FOR COFFEE BEANS GROUP D. 40
	0250008208IC	D.40 UPPER FILTER FOR COFFEE BEANS GROUP D. 40 ORANGE RAL 2011
19/a	0250008099	FILTER FOR COFFEE BEANS GROUP D. 36
19/b	0250008211	FILTER D.40 FOR COFFEE BEANS GROUP D. 40
20/a	VIT0001202	M 3x14 TSP SCREW
20/b	VIT0000121	M 3x8 TSP SCREW
21/a	GUA0000080	SILICONE 4112 OR FOR COFFEE BEANS GROUP D. 36
21/b	GUA0000097	SILICONE 4131 OR FOR COFFEE BEANS GROUP D. 40
22	VIT0006513	D.8 STAINLESS STEEL INSIDE SEEGER
23/a	0250008046R	INFUSION CHAMBER FOR COFFEE BEANS GROUP D. 36
23/b	0250008206R	INFUSION CHAMBER D.40 FOR COFFEE BEANS GROUP D. 40
24	GUA0000065	SILICONE OR 112
25	0250008053	LOWER INLET CUP BUSH
26	0250008029	GLASS BUSH PIN
27/a	0250008108	FILTER SUPPORT SHFT FOR COFFEE BEANS GROUP D. 36
27/b	0250008122	LOWER FILTER FOR COFFEE BEANS GROUP D. 36
27/c	0250008209	LOWER FILTER D.40 FOR COFFEE BEANS GROUP D. 40
	0250008209IC	LOWER FILTER D.40 FOR COFFEE BEANS GROUP D. 40 ORANGE RAL 2011
28	0250008106	LOWER FILTER ROLL SUPPORT
29	0250008021	ROLL SHAFT
30	0250008022	ROLL SHAFT
31	VIT0006516	D.3.2 RADIAL STOP RING
32	0250008027	LOWER FILTER PIN
33	0250008083	FILTER EJECTION CAM
34	0250008016	R.H. FILTER RECOVERY CAM
35	0250008017	L.H. FILTER RECOVERY CAM
36	0250008036	COFFEE CONE
37	VIT0004803	STAINLESS STEEL NUT M4
38	0250008035	SETTING PLATE
39	VIT0000032	M 4x8 INOX TCB SCREW
40	VIT0003309	4.3x16x1.5 STAINLESS STEEL FLAT WASHER
41	VIT0005523	4x60 STAINLESS STEEL TCEI SCREW
42	VIT0004810	M 4 SELFLOCKING NUT
43	VIT0002461	SCREW TCCCR 4.2 x 26
44	0250008039	L.H. FRAME COVER
	0250008039CM	L.H. FRAME COVER FOR COFFEE BEANS GROUP D. 40 MERCEDES GREY RAL 9006
	0250008039IC	L.H. FRAME COVER FOR COFFEE BEANS GROUP D. 40 ORANGE RAL 2011
45	0250008048	KEY FOR NUT
46	0250008110CL	WATER INLET PIPER ASSEMBLY
47	VIT0009203	M 3 CONNECTION FOR THERMOPLASTIC
48	VIT0003451	GROWER SPRING WASHER
50	0250008088	WASHER FOR CHAMBER CAM
51	0250008109R	D.36 LOWER FILTER+ROLL SUPPORT ASSEMBLY
52	GUA0000061	2010 VITON OR
53	0250008107R	LOWER FILTER ROLL SUPPORT
54	0250008076CL	COFFEE OUTLET PIPE ASSEMBLY
100	0250008001R	MICRO COFFEE GROUP FOR COFFEE BEANS GROUP D. 36
101	0250008201R	MICRO COFFEE GROUP D.40 FOR COFFEE BEANS GROUP D. 40
102	0250008026R	D.36 UPPER FILTER ASSEMBLY FOR COFFEE BEANS GROUP D. 36
103	0250008208R	D.40 UPPER FILTER ASSEMBLY FOR COFFEE BEANS GROUP D. 40
104	0250008108R	D.36 LOWER FILTER

assieme

## XX OC HEATED MICRO COFFEE GROUP



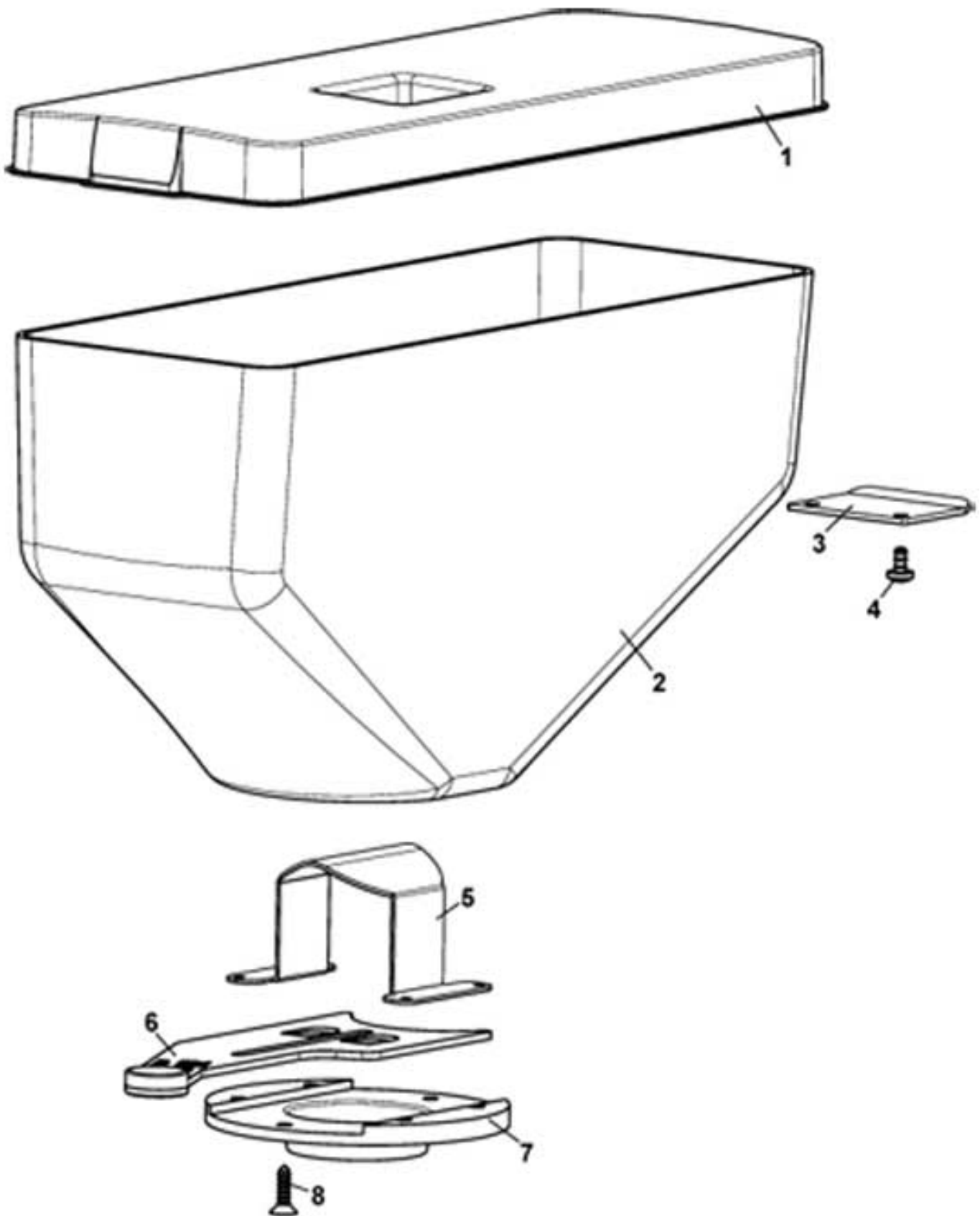
## XX OC

### HEATED MICRO COFFEE GROUP

Pos.	Code	Description
1	0250008005	R.H. FRAME It's part of kit 0250008005R
2	0250008084	R.H. INFUSION CHAMBER CAM
3	0250008009	CONNECTING ROD
4	0250008028	PIN FOR CONNECTING ROD
5	0250008011	R.H. CRANK
6	0250008014	MOTOR CRANK PIN
7	0250008042	ANTIVIBRATION WASHER
8	VIT0006515	D.5 RADIAL STOP RING
9	0250008031	R.H. REAR GUIDE
10	VIT0002026	3.5x 6.5 STAINLESS STEEL TAPPING TCB SCREW
11	0250008033	FRONT GUIDE
12	0250008006	L.H. FRAME It's part of kit 0250008005R
13	0250008085	L.H. INFUSION CHAMBER CAM
14	0250008032	L.H. REAR GUIDE
15	0250008086	UPPER FILTER SUPPORT
16	0250008024	UPPER FILTER SPRING
17	0250008087	SPRING COVER PIPE
18	0250008026	D.36 UPPER FILTER
19	0250008019	FILTER
20	VIT0000121	M 3x8 TSP SCREW
21	GUA0000080	SILICONE 4112 OR
22	VIT0006513	D.8 STAINLESS STEEL INSIDE SEEGER
23	0250008215R	INFUSION CHAMBER WITH GROUNDS CHUTE
24	GUA0000065	SILICONE OR 112
25	0250008053	LOWER INLET CUP BUSH
26	0250008029	GLASS BUSH PIN
27/a	0250008108	FILTER SUPPORT SHFT
27/b	0250008122	LOWER FILTER
28	0250008226	ROLL SUPPORT
29	0250008021	ROLL SHAFT
30	0250008022	ROLL SHAFT
31	VIT0006516	D.3.2 RADIAL STOP RING
33	0250008033	FRONT GUIDE
34	0250008016	R.H. FILTER RECOVERY CAM
35	0250008017	L.H. FILTER RECOVERY CAM
36	0250008036	COFFEE CONE
37	VIT0004803	STAINLESS STEEL NUT M4
38	0250008035	SETTING PLATE
39	VIT0000032	M 4x8 INOX TCB SCREW
40	VIT0003309	4.3x16x1.5 STAINLESS STEEL FLAT WASHER
41	VIT0005523	4x60 STAINLESS STEEL TCEI SCREW
42	VIT0004810	M 4 SELFLOCKING NUT
43	VIT0002461	SCREW TCCCRT 4,2 x 26
44	0250008039	L.H. FRAME COVER
	0250008039CM	L.H. FRAME COVER MERCEDES GREY RAL 9006
	0250008039IC	L.H. FRAME COVER ORANGE RAL 2011
45	0250008048	KEY FOR NUT
46	0250008110CL	WATER INLET PIPER ASSEMBLY
47	0250008119	SPRING
48	VIT0003451	GROWER SPRING WASHER
50	0250008213R	COMPLETE HEATING ELEMENT
51	SCH0006880	HEATING ELEMENT POWER BOARD
52	GUA0000061	2010 VITON OR
54	0250008076CL	COFFEE OUTLET PIPE ASSEMBLY
100	0250008220R	HEATED MICRO COFFEE GROUP D.36
101	0250008227R	ASSEMBLED LOWER FILTER ROLL SUPPORT (POS. 28-29-30-31)

## XX OC COFFEE BEANS CONTAINER

---

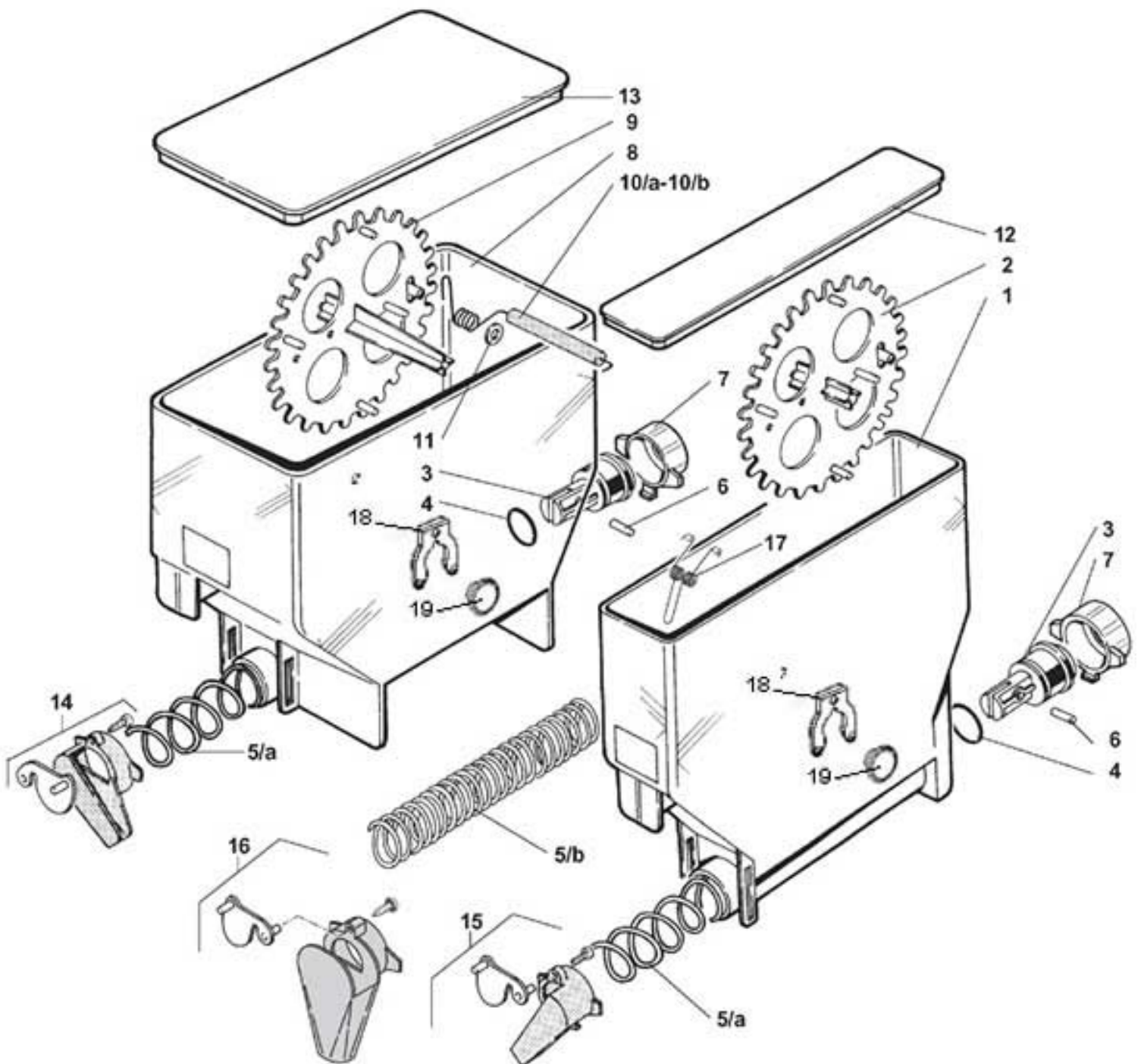


## XX OC

### COFFEE BEANS CONTAINER

Pos.	Code	Description
1	0230015217	COFFEE CONTAINER COVER
2	0230015213	COFFEE CONTAINER
3	0230015212	COFFEE CONTAINER CONNECTION
4	VIT0002009	SCREW T.C.B. 3,5 x 6,5
5	0230015218	SWICHT OF BEANS
6	0230015207	COFFEE CONTAINER BLADE
	0230015207IC	COFFEE CONTAINER BLADE ORANGE RAL 2011
7	0230015215	COFFEE CONTAINER BOTTOM
8	VIT0002101	3.9x 13 TAPPING TCB SCREW
100	0230015210CL	ASSEMBLED COFFEE CONTAINER

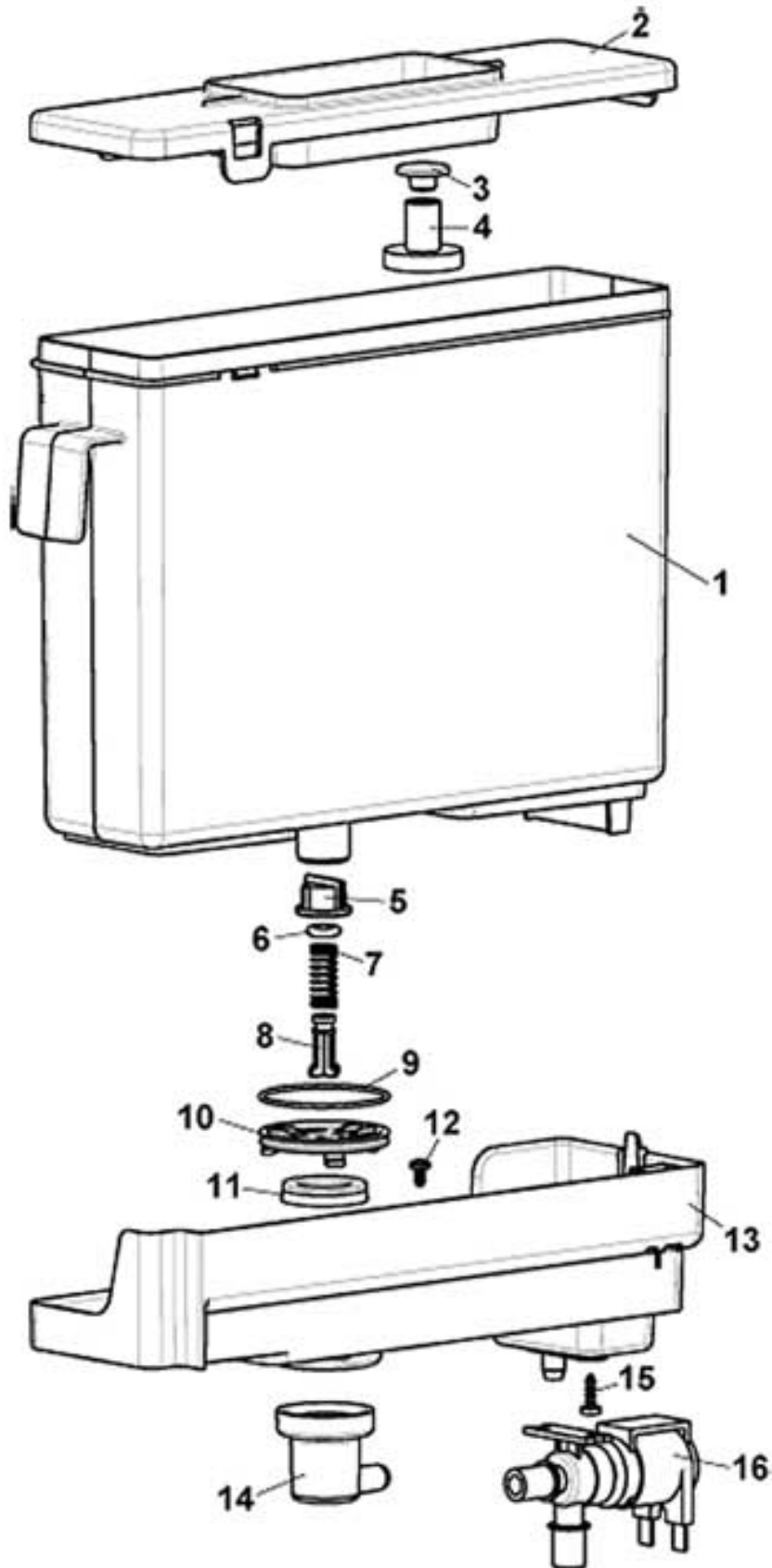
## XX OC PRODUCT CONTAINERS



## XX OC PRODUCT CONTAINERS

Pos.	Code	Description
1	0230030500	INGREDIENT CONTAINER MM54 H190 WITH PINS
2	0230030236	MIXER GEAR
3	0230030012	AUGER PIN
4	GUA0000083	GASKET 123
5/a	0230030014	AUGER P.18
5/b	0230030013	AUGER P.9
6	VIT0005301	ELASTIC PIN D.2 x 14
7	0230030011	REAR BUSH
8	0230030520	INGREDIENT CONTAINER MM110 H190 WITH PINS
9	0230030237	MIXER GEAR mm.110
10/a	0230030041	INGREDIENT MIXER 112 mm
10/b	0230030042	INGREDIENT MIXER 112 mm LEFT OUTLET
11	VIT0003210	STAINLESS STEEL FLAT WASHER D. 8.4 x 14 x 1.6
12	0230030156	CONTAINER COVER 54 mm.
13	0230030158	CONTAINER LID 110 mm.
14/a	0230030058R	RIGHT PRODUCT FEEDER (BIG HOLE-ORANGE))
14/b	0230030044R	RIGHT PRODUCT FEEDER (SMALL HOLE-RED)
15/a	0230030057R	LEFT PRODUCT FEEDER (BIG HOLE-ORANGE)
15/b	0230030043R	LEFT PRODUCT FEEDER (SMALL HOLE-RED)
16	0230030059R	FRONTAL FEEDER (BIG HOLE-ORANGE)
17	0230030052	ANTIBRIDGING
18	0230030239	GEAR PIN FORK
19	0230030238	GEAR ROTATION PLUG
100	0230030522R	INGREDIENT CONTAINER 110MM H190 WITH PINS-AUGER 18-RIGHT OUTLET-WITH LID
101	0230030525R	INGREDIENT CONTAINER 110MM H190 WITH PINS-AUGER 18-LEFT OUTLET-WITH LID
102	0230030506R	INGREDIENT CONTAINER 54 H190- WITH PINS-AUGER 18-WITH LID
103	0230030502R	INGREDIENT CONTAINER 54 H190- WITH PINS-AUGER 9-WITH LID

XX OC  
H2O TANK H



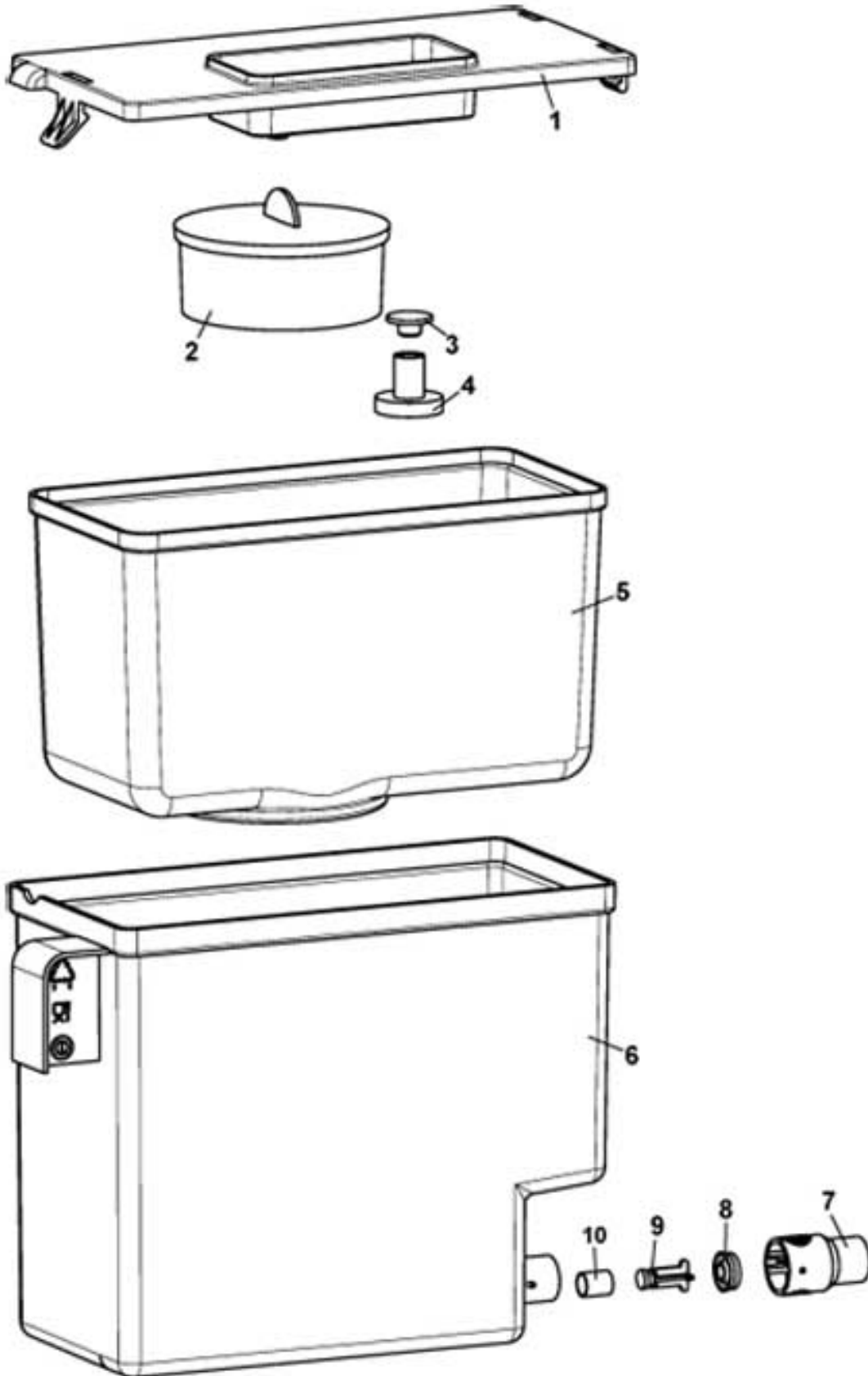


## XX OC H2O TANK H

Pos.	Code	Description
1	0800012506	WATER TANK
2	0800012507	WATER TANK LID
3	0020037045	BLACK UPPER FLOATER "T"
4	0020037046	LOWER FLOATER "T"
5	0110020011	FILTER
6	GUA0000082	SILICONE GASKET D.6
7	0800012012	CLOSING PIN SPRING
8	0800012009	WATER TANK CLOSING PIN
9	GUA0000046	GASKET 2137
10	0800012515	STO GASKET RING
	0800012515NA	STO GASKET RING BLACK
11	GUA0002100	SILICONE GASKET GU84-118075
12	VIT0002015	TAPPING SCREW TCB 3,5 x 9,5
13	0800012511	WATER TANK SUPPORT
14	0800012512	WATER TANK ELBOW
15	VIT0002469	SCREW TC 3.5 x 10
16	0110001103	SOLENOID VALVE 2 WAYS
100	0800012500CL	WATER TANK ASSEMBLED POS.1+2 FROM POS.4 TO POS. 8
101	0800012511CL	WATER TANK SUPPORT ASSEMBLED POS.9+11 FROM POS.13 TO POS. 16

XX OC  
H2O TANK E

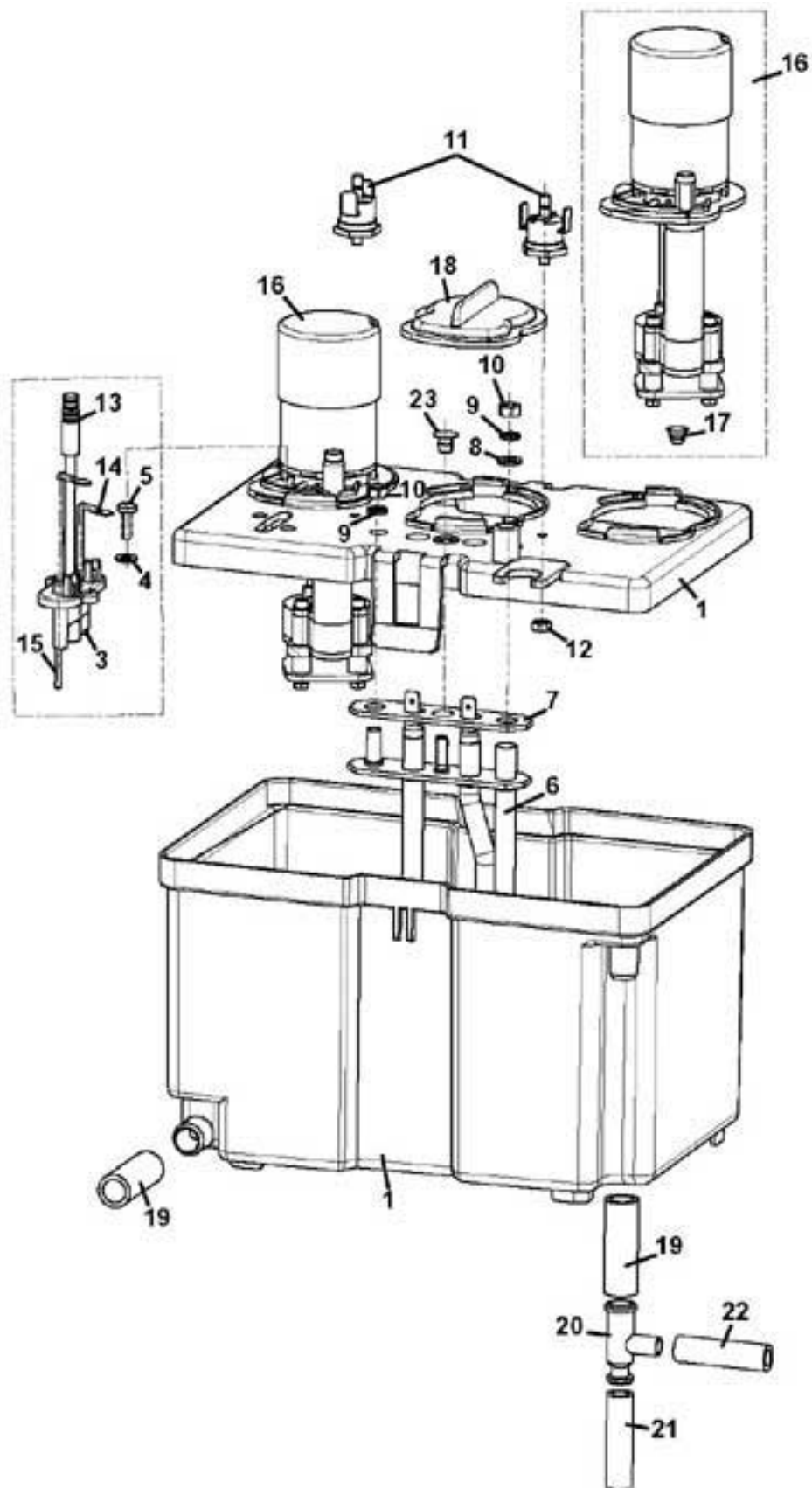
---



## XX OC H2O TANK E

Pos.	Code	Description
1	0800012025	COVER WATER TANK
	0800012025CK	COVER WATER TANK DUST GREY RAL 7037
2	0060001010	BRITA FILTER 180/200
3	0020037045	BLACK UPPER FLOATER "T"
4	0020037046	LOWER FLOATER "T"
5	0800012018	BRITA FILTER SUPPORT
6	0800012005	WATER TANK
	0800012005PF	WATER TANK SKY BLUE SAN 5195
7	0800012008	WATER TANK GASKET SUPPORT
8	GUA0002008	SILICONE GASKET DE 062
9	0800012009	WATER TANK CLOSING PIN
10	0800012012	CLOSING PIN SPRING
100	0800012020R	COMPLETE KIT BRITA FILTER POS.2+5
101	0800012026R	WATER TANK ASSEMBLED + COVER

## XX OC THERMOFUSE BOILER



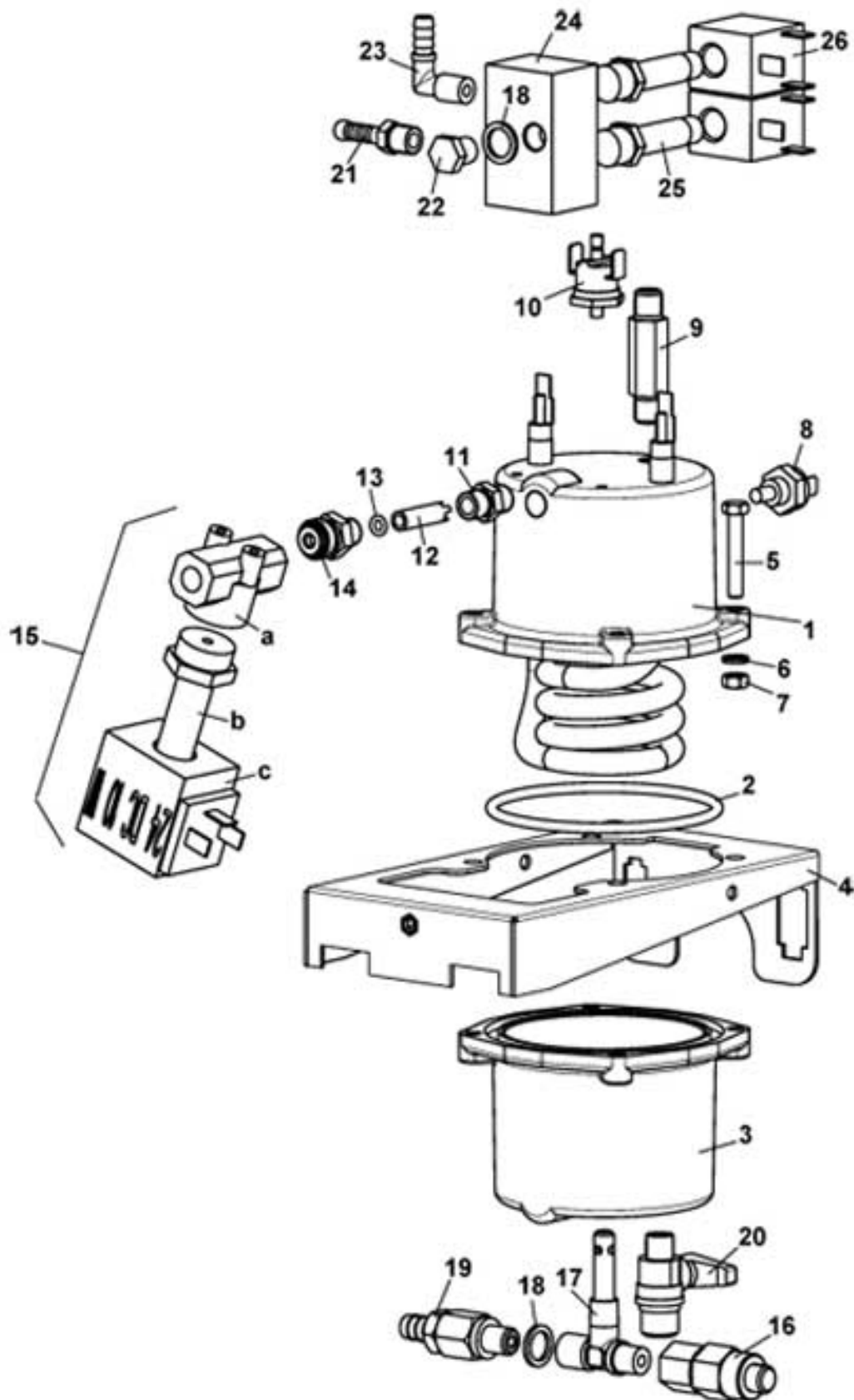
## XX OC THERMOFUSE BOILER

Pos.	Code	Description
1	0600016401R	BOILER TANK + COVER
3	0600016059	PROBE SUPPORT
4	VIT0003211	STAINLESS STEEL FLAT WASHER D.4,3 x 9 x 0,8
5	VIT0001005	SCREW T.C.B. M 4 x 12
6	0600016137R	ASSEMBLED 1300W 230V HEATING ELEMENT WITH INTEGRATED THERMOFUSE
7	0600016084	HEATING ELEMENT GASKET
8	VIT0003203	STAINLESS STEEL FLAT WASHER D.5.3 x 10 x 1
9	VIT0003111	WASHER D.5,3
10	VIT0004804	STAINLESS STEEL NUT M5
11	ELE0000965	MANUAL RESET THERMOSTAT 88°C
12	VIT0004816	STAINLESS STEEL NUT M4
13	ELE0000963R	SOLUBLE PROBE+CONTACTS
14	0600016054	MAX WATER LEVEL PROBE
15	0600016053	WATER PROBE
15	VIT0002469	SCREW TC 3.5 x 10
16	0600016405R	BOILER PUMP ASSEMBLY
17	0080100101	MIXER GASKET - SHAFT D.4
18	0600016422	COVER FOR HOLE PUMP
19	TSIL10/14T	TRANSPARENT SILICONE PIPE D.10 x 14
20	0600016028	"T" UNION
21	TSIL06/11T	TRANSPARENT SILICONE PIPE
22	TSIL06/09T	TRANSPARENT SILICONE PIPE D.6 x 9
23	0230030154	LATERAL HOLE PLUG
100	0600016400CL1	2 PUMPS BOILER ASSEMBLY 230V WITH INTEGRATED THERMOFUSE
101	0600016420CL1	3 PUMPS BOILER ASSEMBLY 230V WITH INTEGRATED THERMOFUSE

XX OC

BOILER (TO SERIAL NUMBER 52069999)

---



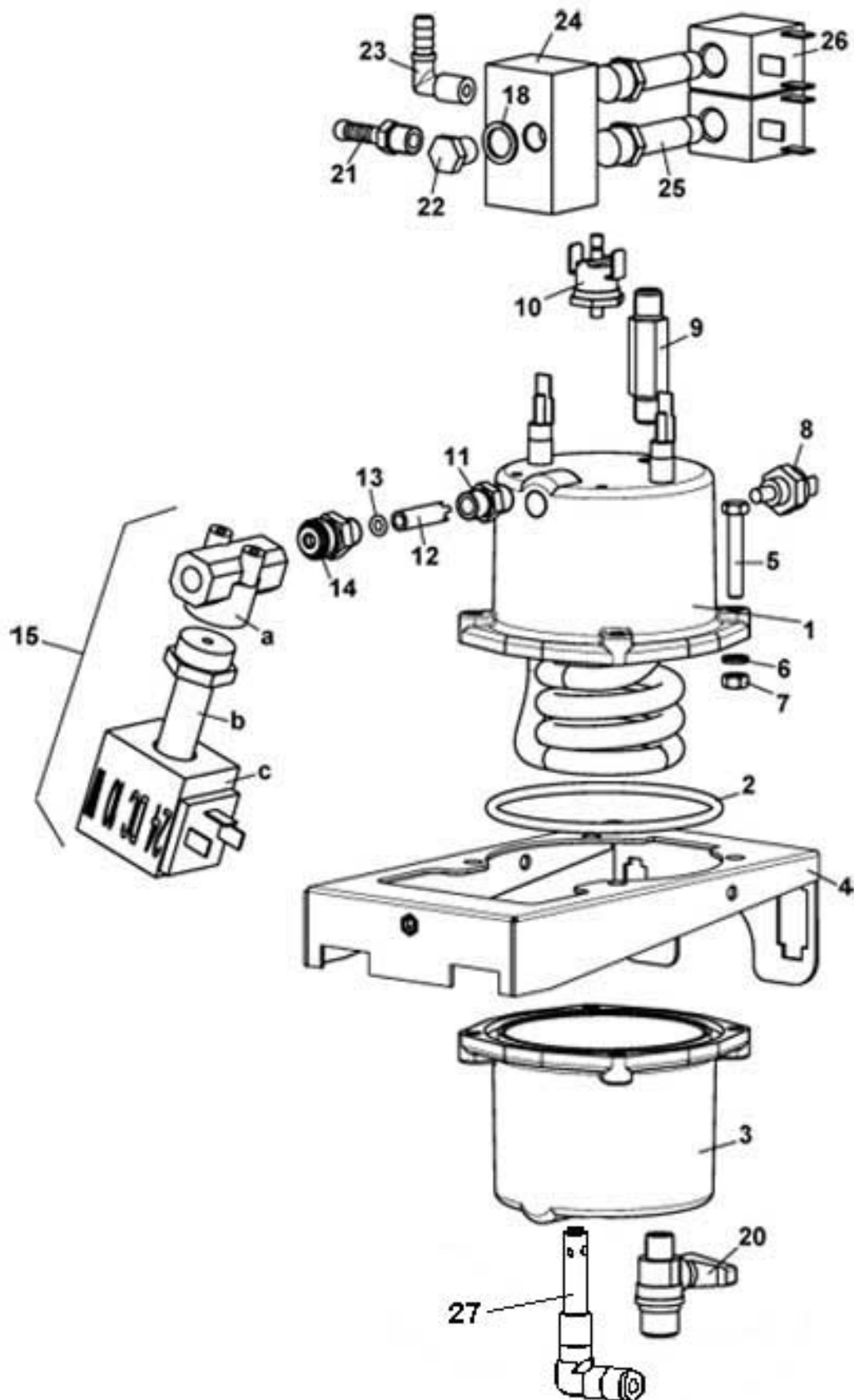
## XX OC

### BOILER (TO SERIAL NUMBER 52069999)

Pos.	Code	Description
1	0600019102	UPPER BOILER CASING
2	GUA0000095	OR 4300 SILICONE
3	0600019103	LOWER BOILER CASING
4	0010027221	BOILER SUPPORT
5	VIT0000242	M 5x30 H.H. SCREW
6	VIT0003104	WASHER tab D. 5.1
7	VIT0004504	M 4 NUT
8	ELE0000975	ESPRESSO PROBE
9	0600012658	VALVE BOILER CONNECTION
10	ELE0000976	MANUAL RESET THERMOSTAT 120°C
11	0100001084	NIPPLO GC 1/8
12	0110003122	OR SPACER
13	GUA0000069	2015 OR
14	0110003121	WATER OUTLET UNION
15	0110001112	EV 3 WAY F-F 1/8 24V DC OLAB
15/a	0110010143	BODY FOR EV 0110001112
15/b	0110010142	VALVE SLEEVE
15/c	0110010141	COIL FOR EV
16	0110002012R	1/8M INLET - 1/8F OUTLET NON-RETURN VALVE
17	0600019112	TEE UNION WITH INOX TUBE
18	0100003016	COPPER GASKET D. 14,5 x 10,5 x 1,5
19	0110002013	SAFETY VALVE (12 BAR)
20	0600019017	COCK M/F 1/8
21	0100001082	RUBBER HOLDER DIR. D.7 1/8
22	0100001080	MAN CAP 1/8 GAS
23	0100001083	D.7 1/8 RUBBER HOLDE
24	0110001111	24V DC 7W 2-WAY VALVE
25	0110010138	VALVE SLEEVE OLAB (D.13,9+WHITE OR)
26	0110010135	COIL FOR EV OLAB
100	0010027216CL	COMPLETE BOILER

XX OC

BOILER (FROM SERIAL NUMBER 01070001)





**XX OC**

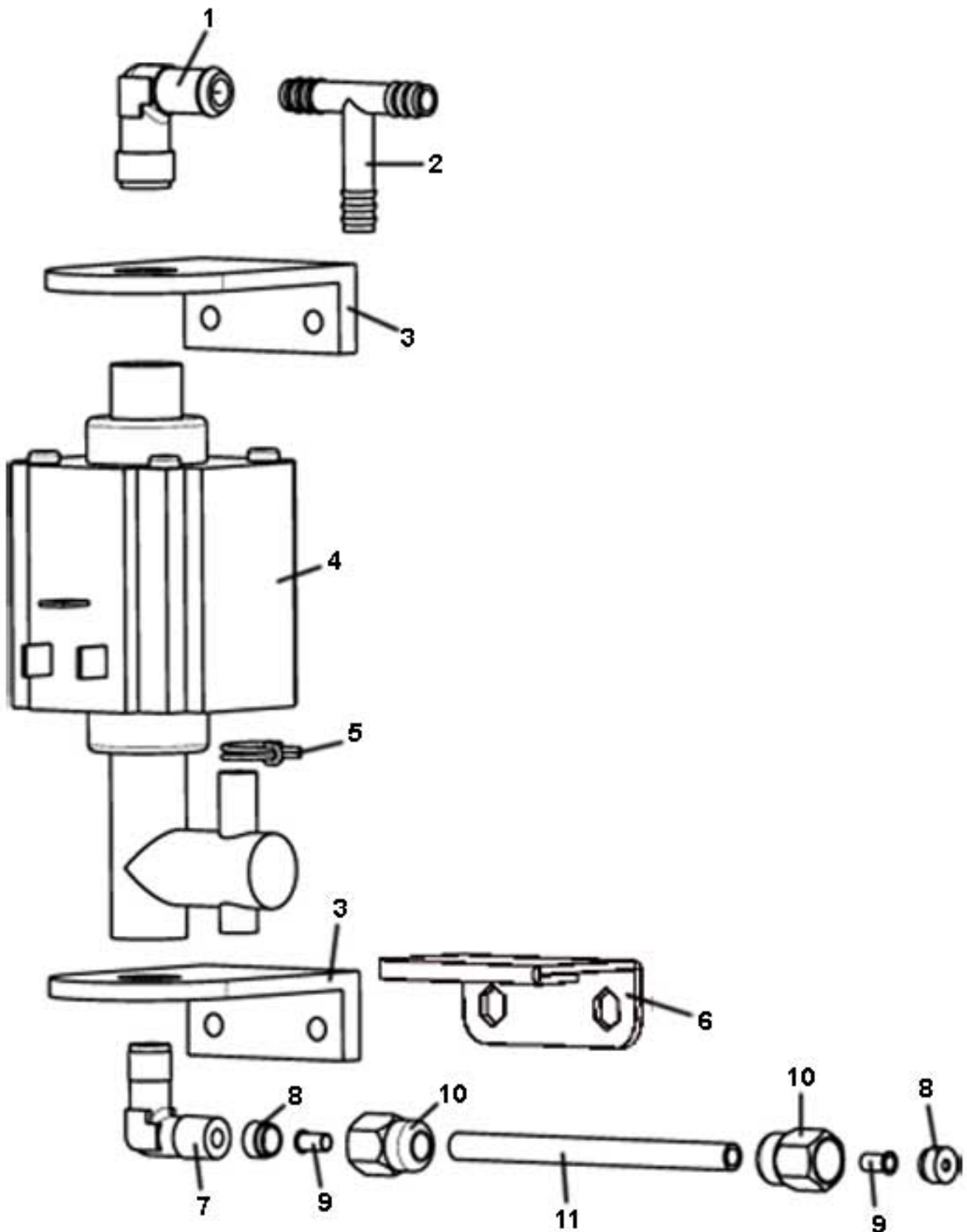
**BOILER (FROM SERIAL NUMBER 01070001)**

Pos.	Code	Description
1	0600019102	UPPER BOILER CASING
2	GUA0000095	OR 4300 SILICONE
3	0600019103	LOWER BOILER CASING
4	0010027221	BOILER SUPPORT
5	VIT0000242	M 5x30 H.H. SCREW
6	VIT0003104	WASHER tab D. 5.1
7	VIT0004504	M 4 NUT
8	ELE0000975	ESPRESSO PROBE
9	0600012658	VALVE BOILER CONNECTION
10	ELE0000976	MANUAL RESET THERMOSTAT 120°C
11	0100001084	NIPPLO GC 1/8
12	0110003122	OR SPACER
13	GUA0000069	2015 OR
14	0110003121	WATER OUTLET UNION
15	0110001112	EV 3 WAY F-F 1/8 24V DC OLAB
15/a	0110010143	BODY FOR EV 0110001112
15/b	0110010142	VALVE SLEEVE
15/c	0110010141	COIL FOR EV
20	0600019017	COCK M/F 1/8
21	0100001082	RUBBER HOLDER DIR. D.7 1/8
22	0100001080	MAN CAP 1/8 GAS
23	0100001083	D.7 1/8 RUBBER HOLDE
24	0110001111	24V DC 7W 2-WAY VALVE
25	0110010138	VALVE SLEEVE OLAB (D.13,9+WHITE OR)
26	0110010135	COIL FOR EV OLAB
27	0600019115	INOX ELBOW CONNECTION
100	0010027216CL1	COMPLETE BOILER

XX OC

VIBRATION PUMP M.S. (TO SERIAL NUMBER 52069999)

---



XX OC

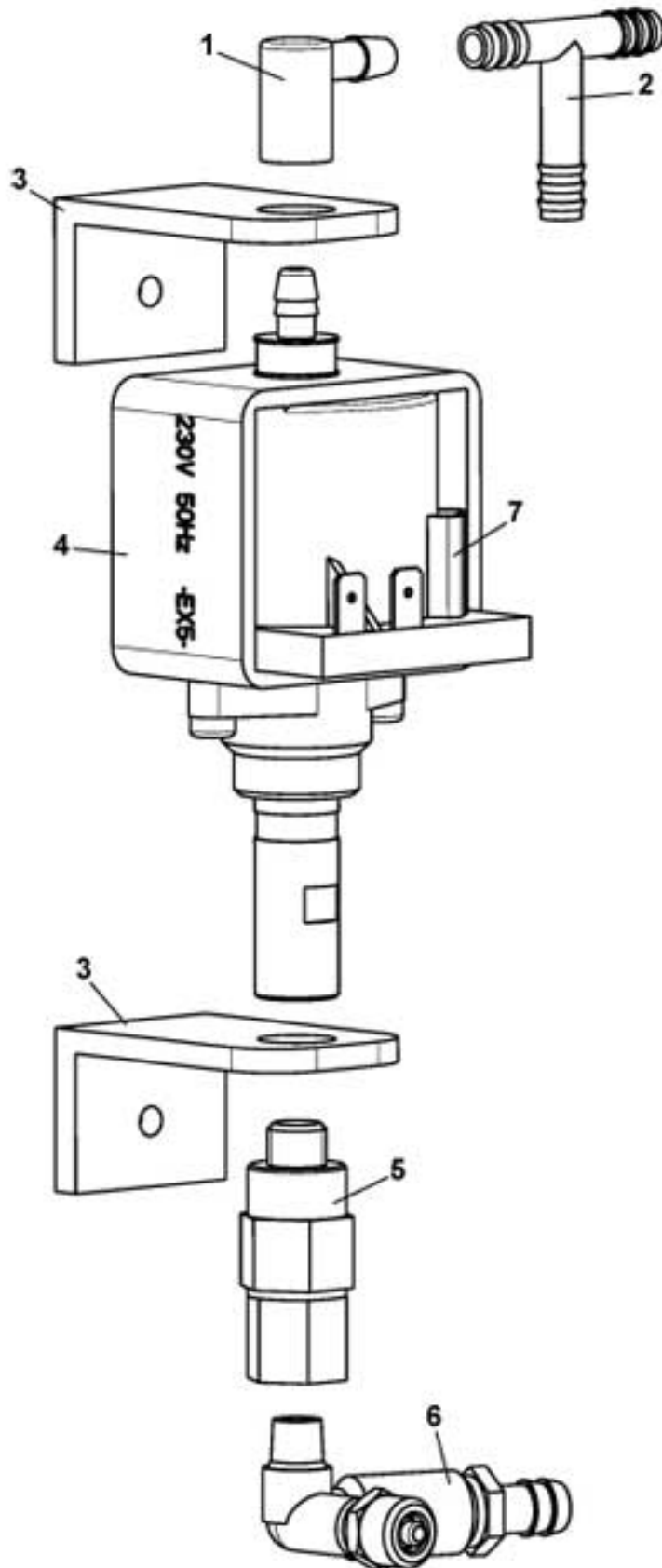
## VIBRATION PUMP M.S. (TO SERIAL NUMBER 52069999)

Pos.	Code	Description
1	820001039	ELBOW TO RUBBERHOLDER CONNECTION
2	0100003015	TEE UNION
3	0220001002	PUMP SUPPORT
4	0110004002	'AP' PUMP
5	FASC000110	PIPES CLIP
6	0010027224	PUMP SUPPORT CAM
7	0100001019	L FITTING D.6-1/8M CON.
8	0100002002	LOCKING RING D.6
9	0100002005	STRENGTHENING BUSH D.4
10	0100001002	NUT FOR PIPE FITTING D.6
11	TNAY000001	D.6*4 POLYAMIDE PIPE

XX OC

VIBRATION PUMP M.S. (FROM SERIAL NUMBER 01070001)

---



**XX OC**

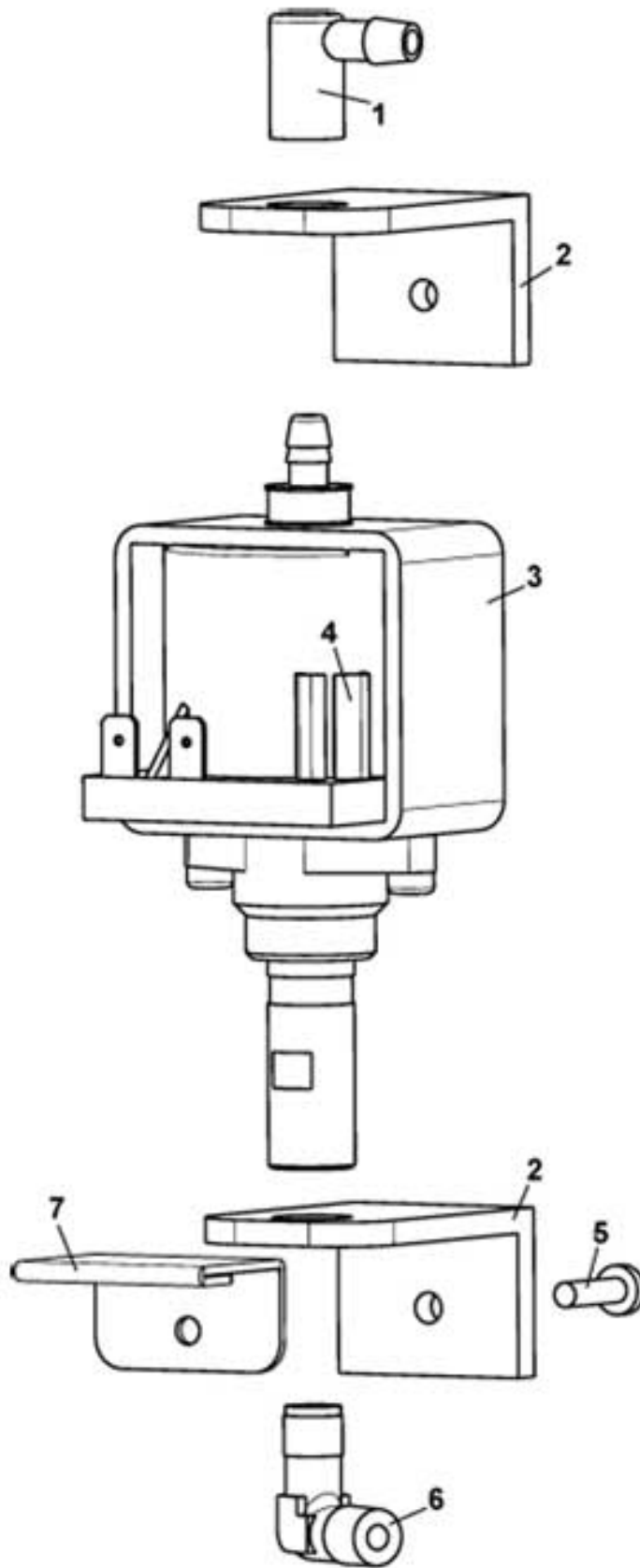
**VIBRATION PUMP M.S. (FROM SERIAL NUMBER 01070001)**

Pos.	Code	Description
1	0110004023	PIPETTE
2	0100003015	TEE UNION
3	0110004022	SQUARE SUPPORT
4	0110004041	EX5 230V 50 HZ PUMP
5	0110002012R	1/8M INLET - 1/8F OUTLET NON-RETURN VALVE
6	0110004070	BY PASS VALVE 110
7	ELE0000915	THERMIC PROTECTION
100	0110004041CL3	EX5 230V 50 HZ PUMP+ VNR+BY PASS 110 230V

XX OC

VIBRATION PUMP M.M. (TO SERIAL NUMBER 52069999)

---



**XX OC**

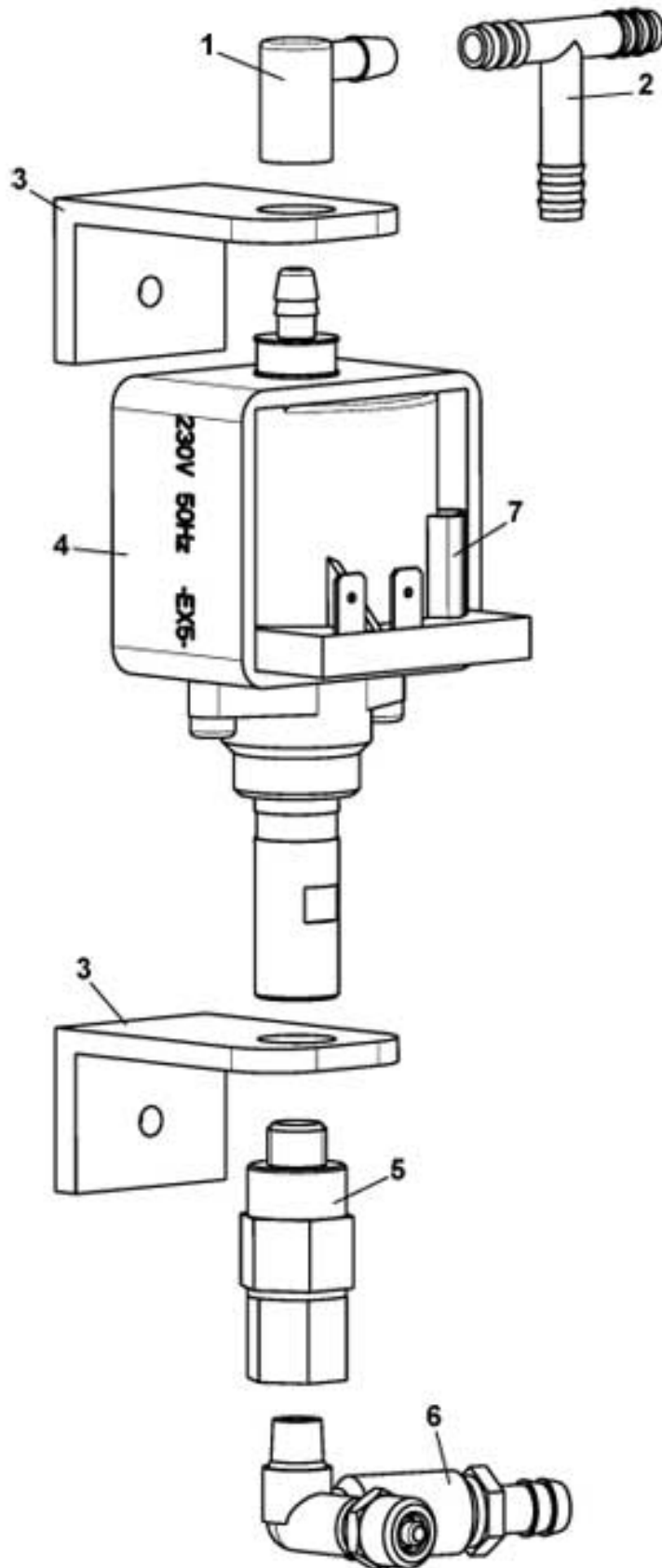
**VIBRATION PUMP M.M. (TO SERIAL NUMBER 52069999)**

Pos.	Code	Description
1	0110004023	PIPETTE
2	0110004022	SQUARE SUPPORT
3	0110004021	230V 50 HZ PUMP FOR XS CABINET
4	ELE0000915	THERMIC PROTECTION
5	VIT0000014	M 4x16 TCB SCREW
6	0100001019	L FITTING D.6-1/8M CON.
7	0010027223	PUMP SUPPORT BRACKET

XX OC

VIBRATION PUMP M.M. (FROM SERIAL NUMBER 01070001)

---





**XX OC**

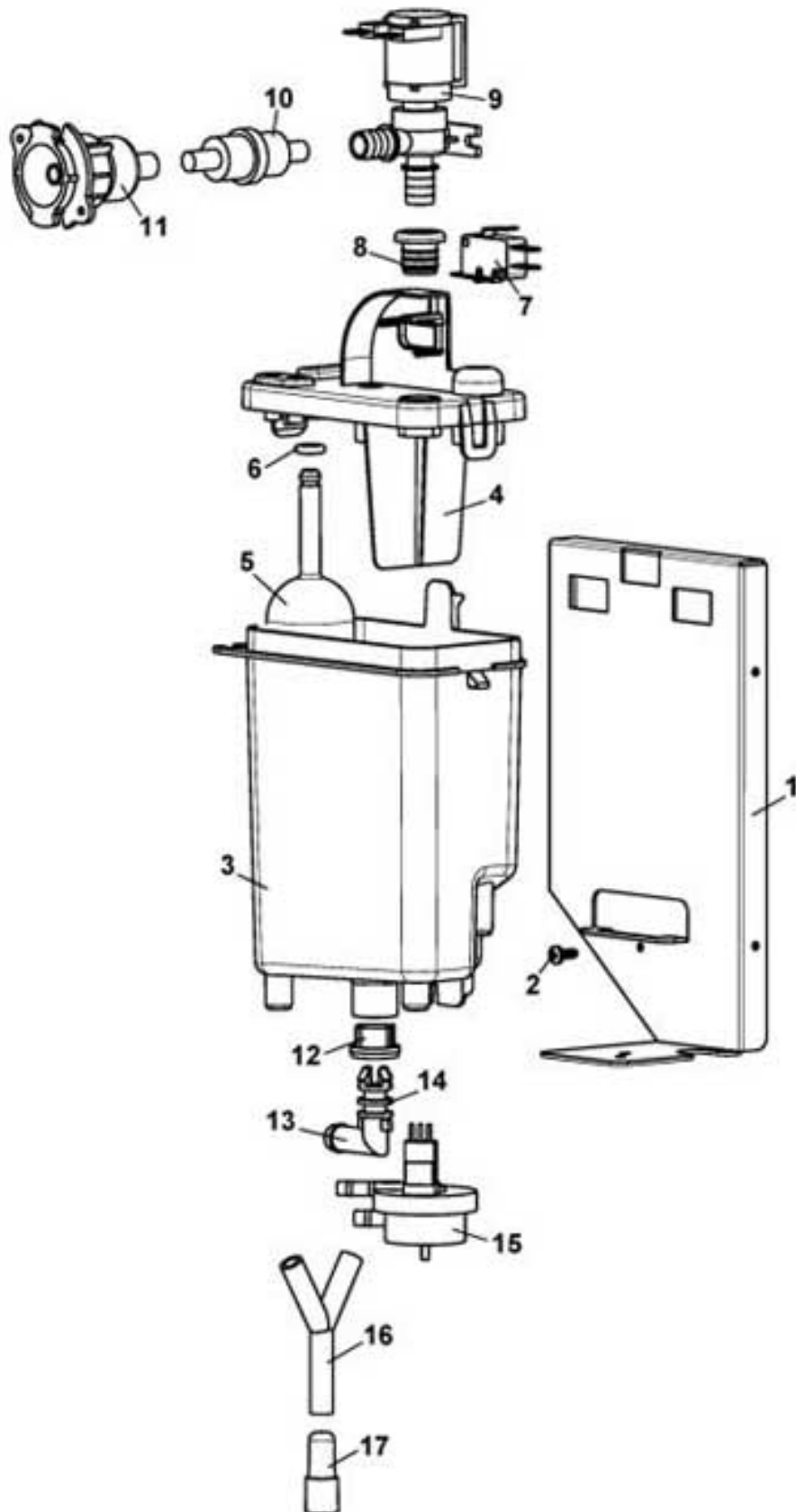
**VIBRATION PUMP M.M. (FROM SERIAL NUMBER 01070001)**

Pos.	Code	Description
1	0110004023	PIPETTE
2	0100003015	TEE UNION
3	0110004022	SQUARE SUPPORT
4	0110004041	EX5 230V 50 HZ PUMP
5	0110002012R	1/8M INLET - 1/8F OUTLET NON-RETURN VALVE
6	0110004060	BY PASS VALVE 80
7	ELE0000915	THERMIC PROTECTION

XX OC

WATER INLET PANEL A.A. SUPPORT

---



**XX OC**

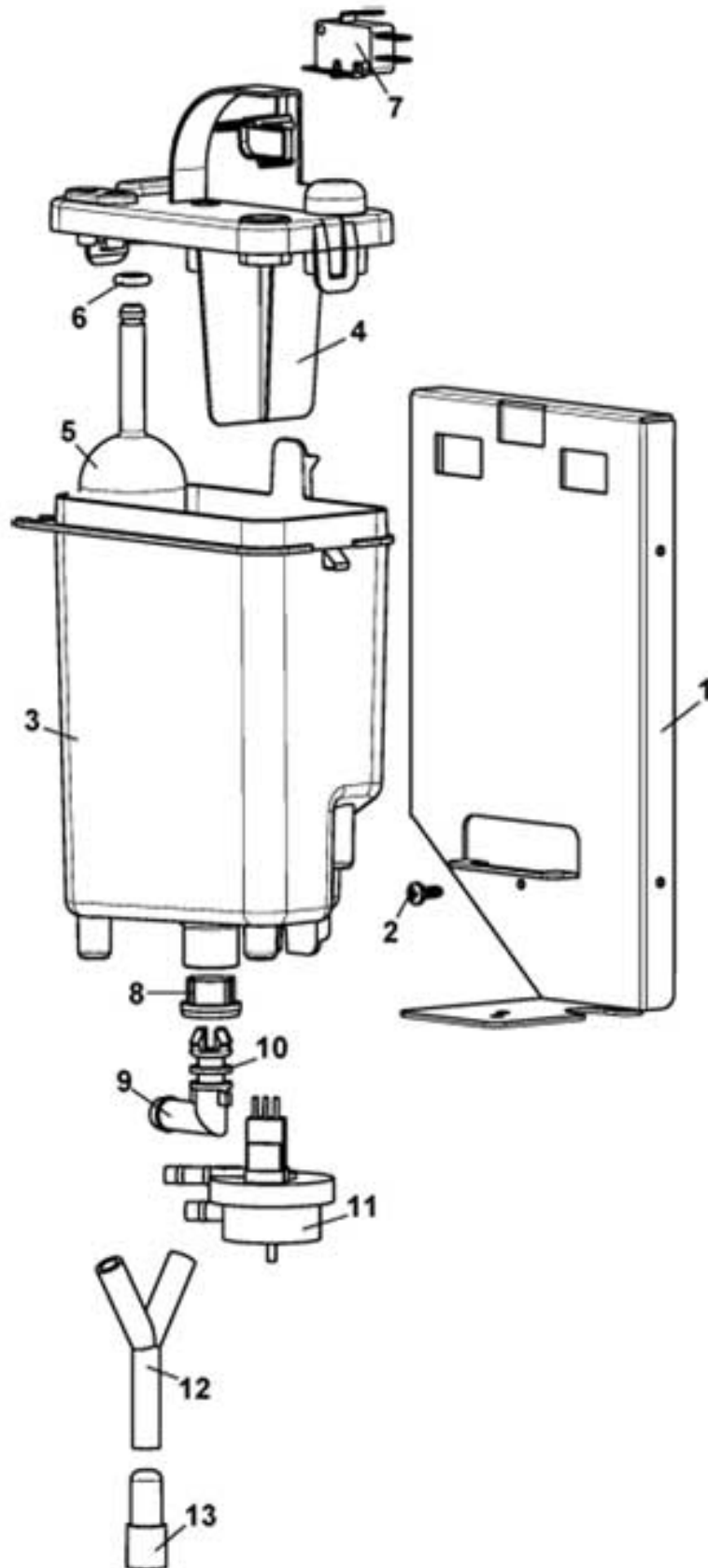
## **WATER INLET PANEL A.A. SUPPORT**

Pos.	Code	Description
1	0010027244-04	TANK SUPPORT CAM
2	VIT0002010	3,5x9,5 TAPPING SCREW
3	0800013041	TANK
4	0800013043	TANK COVER
5	0800013046	FLOATER TANK
6	GUA0000082	SILICONE GASKET D.6
7	ELE0001514	3 A 250 V MICROSWITCH
8	0800013051	VALVE GASKET
9	0110001103	SOLENOID VALVE 2 WAYS
10	0109002002	WATER FILTER
11	0800012015	FIXED TANK CONNECTION
12	0110020007	D.20 PLASTIC FILTER
13	0800009211	ELBOW WITH RAPID CONNECTION
14	GUA0000043	OR 109
15	0110007003	VOLUME COUNTER W/RUBBERHOLDER
16	0100001065	'Y' FITTING
17	650001057	DISCHARGE PLUG
100	0010027243CL	TANK A.A.

XX OC

WATER INLET PANEL A.R. SUPPORT

---



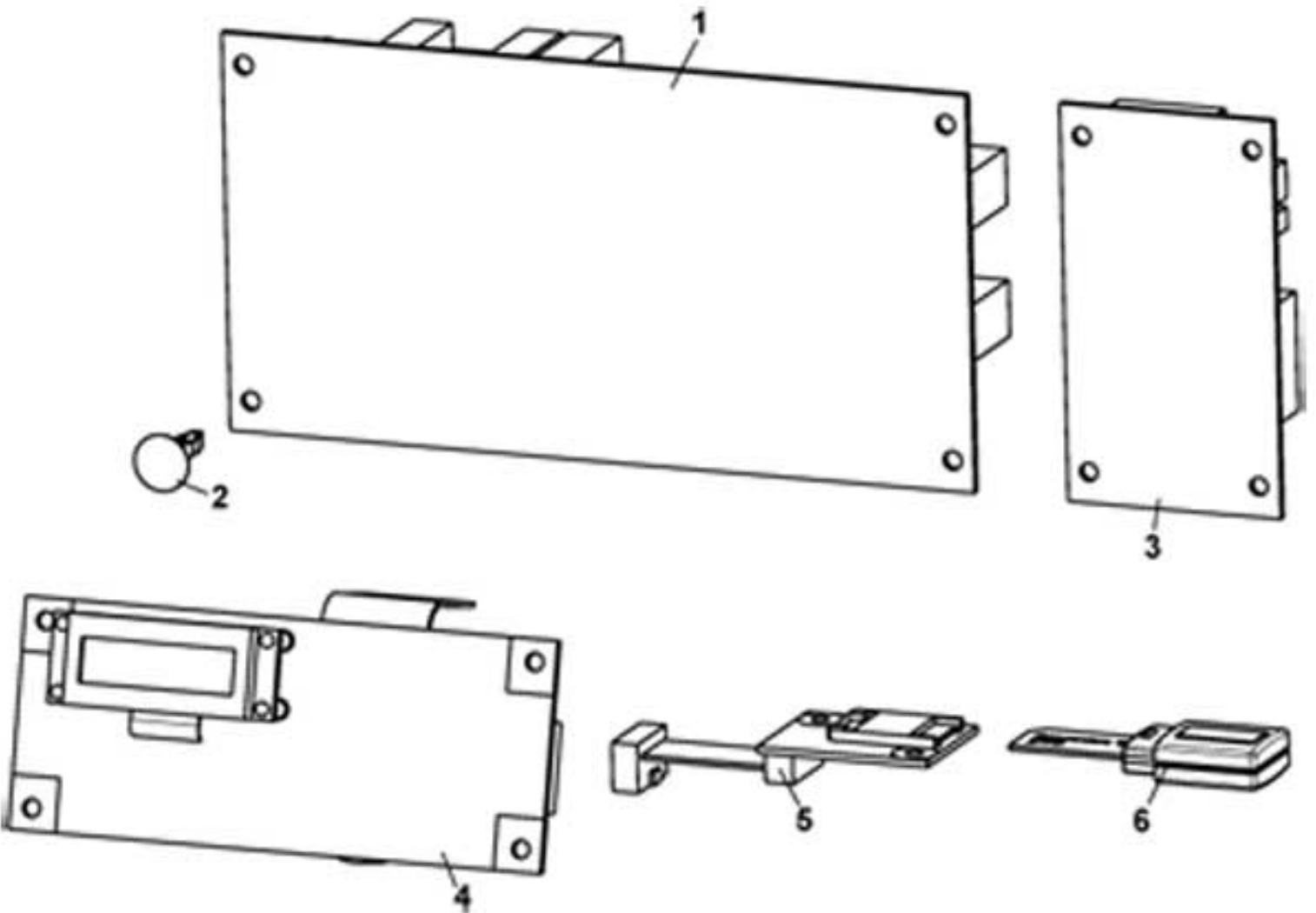
## XX OC

### WATER INLET PANEL A.R. SUPPORT

Pos.	Code	Description
1	0010027244-04	TANK SUPPORT CAM
2	VIT0002010	3,5x9,5 TAPPING SCREW
3	0800013041	TANK
4	0800013043	TANK COVER
5	0800013046	FLOATER TANK
6	GUA0000082	SILICONE GASKET D.6
7	ELE0001514	3 A 250 V MICROSWITCH
8	0110020007	D.20 PLASTIC FILTER
9	0800009211	ELBOW WITH RAPID CONNECTION
10	GUA0000043	OR 109
11	0110007003	VOLUME COUNTER W/RUBBERHOLDER
12	0100001065	'Y' FITTING
13	650001057	DISCHARGE PLUG
100	0010027243CL1	TANK A.R.

## XX OC CONTROL AND POWER LOGIC

---



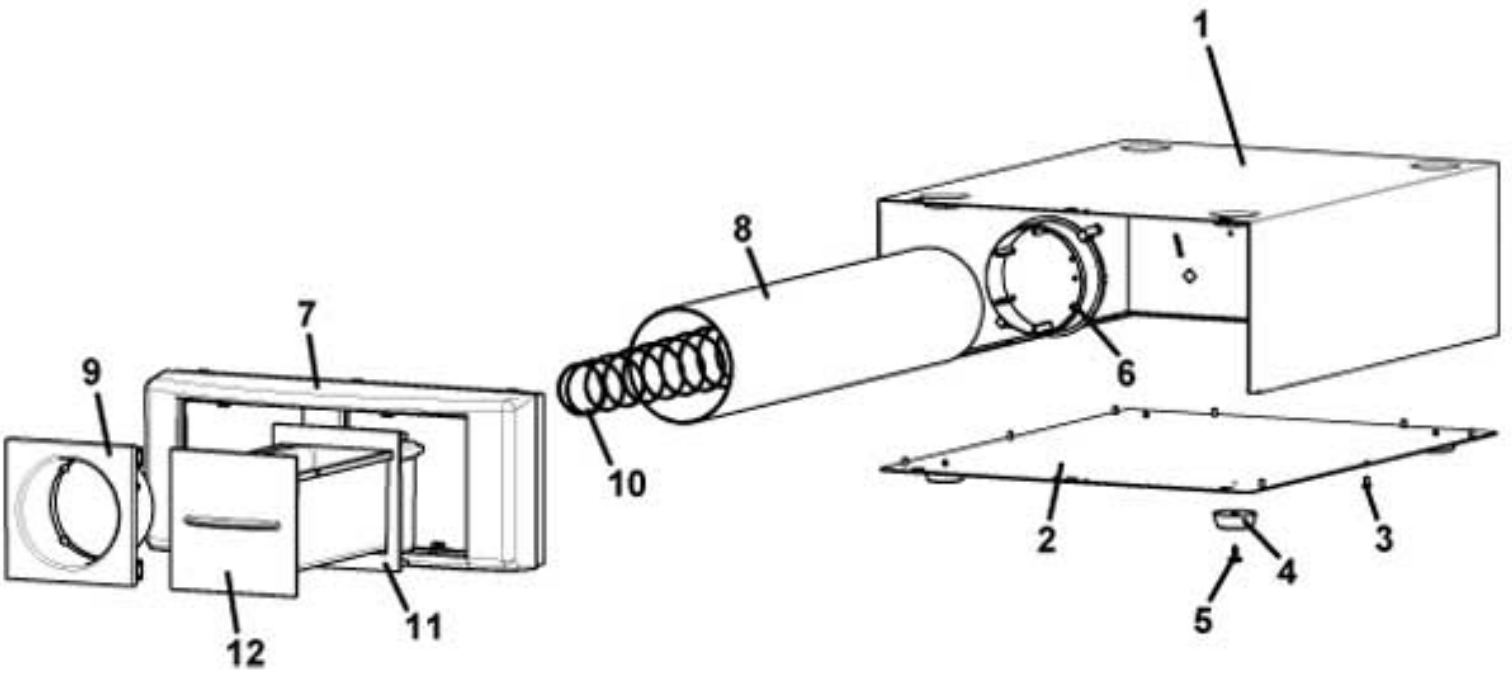
## XX OC

### CONTROL AND POWER LOGIC

Pos.	Code	Description
1	SCH0006600	CPU POWER
2	ELE0062013	PIN BOARD SUPPORT
3	SCH0006620	CPU EXPANSION
4	SCH0007640	DISPLAY BOARD
5	SCH0005860	FLASH BOARD
6	0020040310CL	RHEA FLASH MEMORY

## XX OC TABLE BASE

---





## XX OC TABLE BASE

Pos.	Code	Description
1	0010027398	SUPPORT CUPS UPPER STRUCTURE
2	0010027399	SUPPORT CUPS LOWER STRUCTURE
3	VIT0007021	3 x 6 ALUMINIUM RIVET
4	0010005016	CABINET FEET
5	VIT0002401	SCREW TCB 3.5 x 9.5
6/a	0010020324	CUP TUBE SUPPORT
6/b	0010027161	CUPS TUBE 89 REAR SUPPORT
7	0010027392	FRONT COVER FOR BASE
8/a	0010020325	CUP GUIDING TUBE DIAM. 70
8/b	0010027394	CUP GUIDING TUBE DIAM. 57
8/c	0010027396	CUP GUIDING TUBE DIAM. 80
9/a	0010027147	D.73 CUP PIPE SUPPORT
9/b	0010027149	D.57 CUP PIPE SUPPORT
9/c	0010027145	D.80 CUP PIPE SUPPORT
10	0010020334	CUP PUSHING SPRING
11	0010027143	FRONT COVER DRAWER SUPPORT
12	0010027144	FRONT COVER DRAWER