

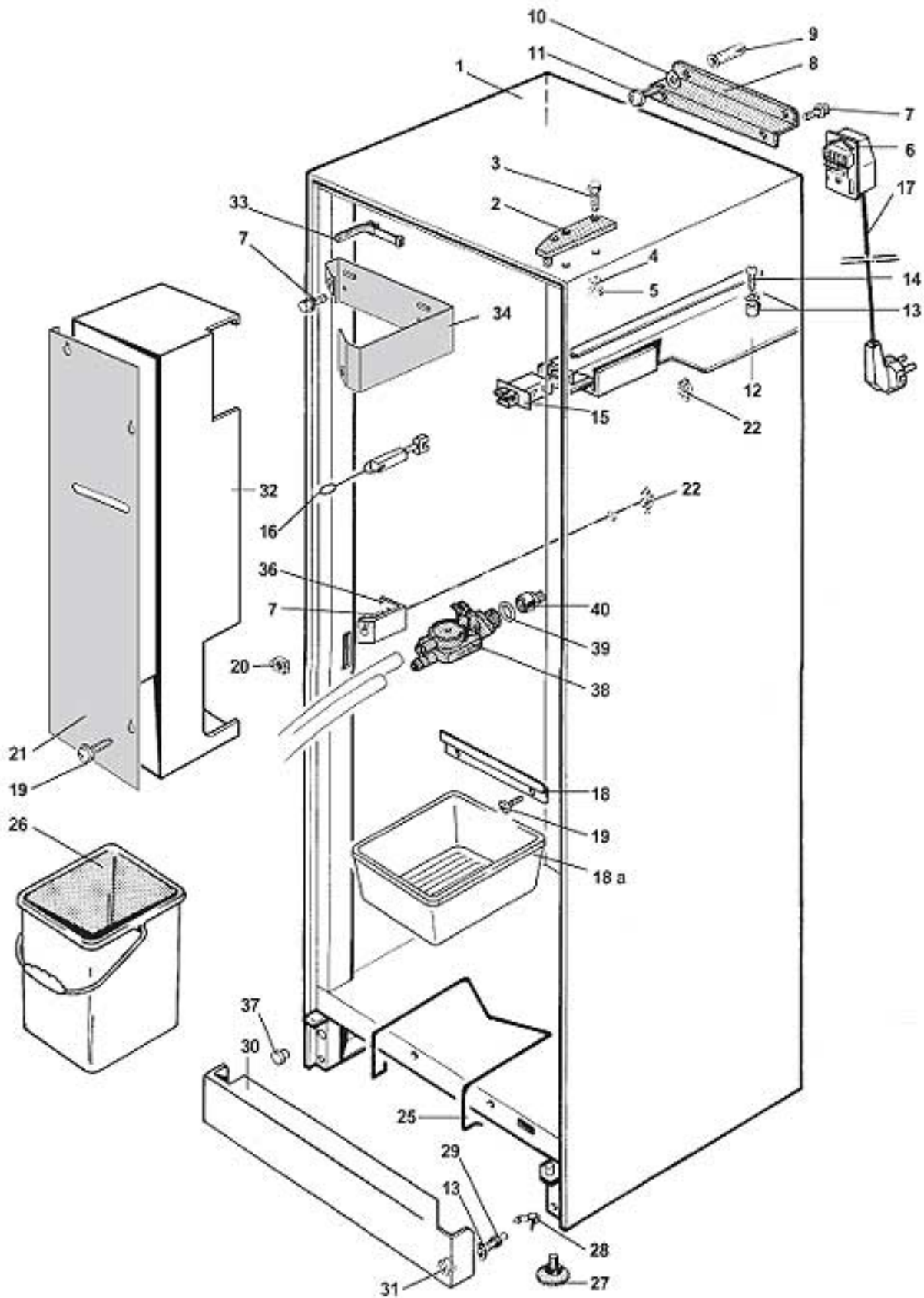
vending machine

[SAGOMA]



spare parts manual

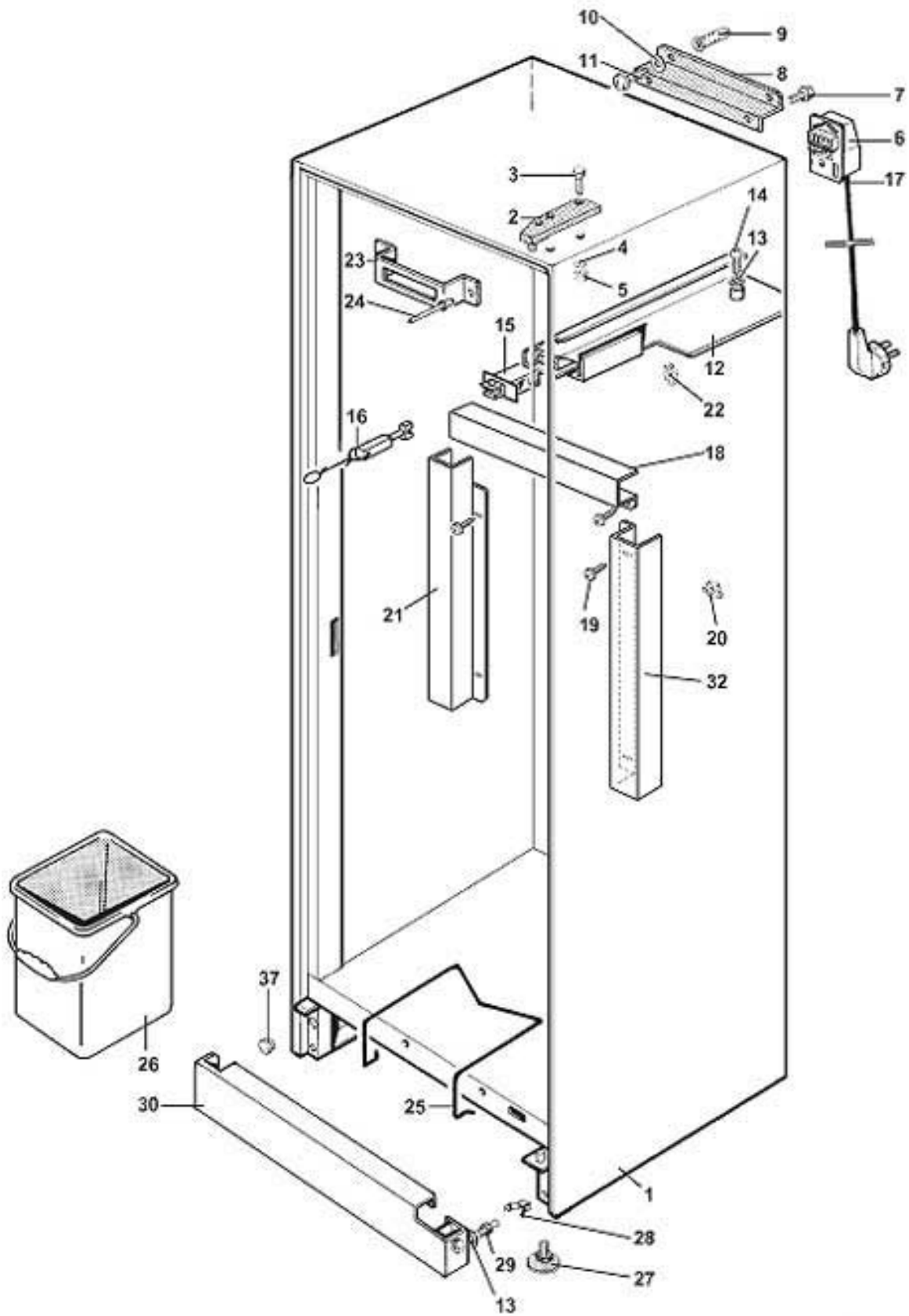
## SAGOMA CABINET (INSTANT VERSION)



## SAGOMA CABINET (INSTANT VERSION)

Pos.	Code	Description
1/a	0010014274	SAGOMA H CABINET STRUCTURE Up to serial 0136999
	0010014274AE	SAGOMA H CABINET STRUCTURE Up to serial 0136999 PURE WHITE RAL 9010
	0010014274CF	SAGOMA H CABINET STRUCTURE Up to serial 0136999 ANTHRACITE GREY RAL 7016
	0010014274CG	SAGOMA H CABINET STRUCTURE Up to serial 0136999 LIGHT GREY RAL 7035
	0010014274CH	SAGOMA H CABINET STRUCTURE Up to serial 0136999 AGATA GREY RAL 7038
	0010014274CM	SAGOMA H CABINET STRUCTURE Up to serial 0136999 MERCEDES GREY RAL 9006
	0010014274CN	SAGOMA H CABINET STRUCTURE Up to serial 0136999 SILICIOUS GREY RAL 7032
	0010014274CF	SAGOMA H CABINET STRUCTURE Up to serial 0136999 SULPHUR YELLOW RAL 1016
	0010014274KE	SAGOMA H CABINET STRUCTURE Up to serial 0136999 FIRE RED RAL 3000
	0010014274NA	SAGOMA H CABINET STRUCTURE Up to serial 0136999 BLACK
1/b	0010014375	SAGOMA H CABINET STRUCTURE From serial 0137001
	0010014375AE	SAGOMA H CABINET STRUCTURE From serial 0137001 PURE WHITE RAL 9010
	0010014375CF	SAGOMA H CABINET STRUCTURE From serial 0137001 ANTHRACITE GREY RAL 7016
	0010014375CG	SAGOMA H CABINET STRUCTURE From serial 0137001 LIGHT GREY RAL 7035
	0010014375CH	SAGOMA H CABINET STRUCTURE From serial 0137001 AGATA GREY RAL 7038
	0010014375CM	SAGOMA H CABINET STRUCTURE From serial 0137001 MERCEDES GREY RAL 9006
	0010014375CN	SAGOMA H CABINET STRUCTURE From serial 0137001 SILICIOUS GREY RAL 7032
	0010014375CF	SAGOMA H CABINET STRUCTURE From serial 0137001 SULPHUR YELLOW RAL 1016
	0010014375KE	SAGOMA H CABINET STRUCTURE From serial 0137001 FIRE RED RAL 3000
	0010014375NA	SAGOMA H CABINET STRUCTURE From serial 0137001 BLACK
1/c	0010014235	SAGOMA H/FP CABINET STRUCTURE Up to serial 0136999
	0010014235AE	SAGOMA H/FP CABINET STRUCTURE Up to serial 0136999 PURE WHITE RAL 9010
	0010014235CF	SAGOMA H/FP CABINET STRUCTURE Up to serial 0136999 ANTHRACITE GREY RAL 7016
	0010014235CG	SAGOMA H/FP CABINET STRUCTURE Up to serial 0136999 LIGHT GREY RAL 7035
	0010014235CH	SAGOMA H/FP CABINET STRUCTURE Up to serial 0136999 AGATA GREY RAL 7038
	0010014235CM	SAGOMA H/FP CABINET STRUCTURE Up to serial 0136999 MERCEDES GREY RAL 9006
	0010014235CN	SAGOMA H/FP CABINET STRUCTURE Up to serial 0136999 SILICIOUS GREY RAL 7032
	0010014235CF	SAGOMA H/FP CABINET STRUCTURE Up to serial 0136999 SULPHUR YELLOW RAL 1016
	0010014235KE	SAGOMA H/FP CABINET STRUCTURE Up to serial 0136999 FIRE RED RAL 3000
	0010014235NA	SAGOMA H/FP CABINET STRUCTURE Up to serial 0136999 BLACK
1/d	0010014405	SAGOMA H/FP CABINET STRUCTURE From serial 0137001
	0010014405AE	SAGOMA H/FP CABINET STRUCTURE From serial 0137001 PURE WHITE RAL 9010
	0010014405CF	SAGOMA H/FP CABINET STRUCTURE From serial 0137001 ANTHRACITE GREY RAL 7016
	0010014405CG	SAGOMA H/FP CABINET STRUCTURE From serial 0137001 LIGHT GREY RAL 7035
	0010014405CH	SAGOMA H/FP CABINET STRUCTURE From serial 0137001 AGATA GREY RAL 7038
	0010014405CM	SAGOMA H/FP CABINET STRUCTURE From serial 0137001 MERCEDES GREY RAL 9006
	0010014405CN	SAGOMA H/FP CABINET STRUCTURE From serial 0137001 SILICIOUS GREY RAL 7032
	0010014405CF	SAGOMA H/FP CABINET STRUCTURE From serial 0137001 SULPHUR YELLOW RAL 1016
	0010014405KE	SAGOMA H/FP CABINET STRUCTURE From serial 0137001 FIRE RED RAL 3000
	0010014405NA	SAGOMA H/FP CABINET STRUCTURE From serial 0137001 BLACK
2	0010013191	UPPER HINGE
	0010013191AE	UPPER HINGE PURE WHITE RAL 9010
	0010013191CF	UPPER HINGE ANTHRACITE GREY RAL 7016
	0010013191CG	UPPER HINGE LIGHT GREY RAL 7035
	0010013191CH	UPPER HINGE AGATA GREY RAL 7038
	0010013191CM	UPPER HINGE MERCEDES GREY RAL 9006
	0010013191CN	UPPER HINGE SILICIOUS GREY RAL 7032
	0010013191CF	UPPER HINGE SULPHUR YELLOW RAL 1016
	0010013191KE	UPPER HINGE FIRE RED RAL 3000
	0010013191NA	UPPER HINGE BLACK
3	VIT0000215	SCREW T6 M8x25
4	VIT00003402	D 8.4 GROWER SPRING WASHER
5	VIT00004506	M 8 NUT
6	ELE00002410	EXTERNAL TRIPOLEAR TERMINAL BLOCK
7	VIT0000236	E-H SCREW M 6 x 14 FR
8	0010014074	DISPENSER SECURING BRACKET
9	VIT0010701	TPF 8 x 50 DOWEL
10	VIT0009152	CONNECTION
11	VIT0002022	5.5x 60 TAPPING TCB SCREW
12	0270011465	DOOR SWITCH SUPPORT
13	VIT0003103	WASHER Iab D. 4.3
14	VIT0000012	SCREW T.C.B. M 4 x 10
15	ELE0002009	SAFETY SWITCH
16	0270011109CL	SERVICE KEY ASSEMBLY
17/a	ELE0055003	POWER LEAD H05VVF 3 x 1.5 SCHUKO PLUG
17/b	ELE0055004	POWER LEAD H05VVF 3 x 1.5 SC PLUG
17/c	ELE0055006	POWER LEAD H05VVF 3 x 1.5 GB PLUG
18	0010014237	WATER TRAY BRACKET
18/a	0010014236	WATER TRAY (FOR VERSION FP)
19	VIT0000030	SCREW TCB M4 x 7
20	VIT0009109	M 4 NUT IN RETAINER Up to serial 9541999
21/a	0010014213	COVER PROTECTION H/5
21/b	0010014280	COVER PROTECTION H/6
22	VIT0009102	M 6 NUT IN RETAINER
23		
24		
25	0010014063	RING FOR BIN (NO FOR VERSION FP)
26	CON0000201	RECTANGULAR BIN
27	VIT0010501	SETTING PLATE ES.M 8 x 22 D.30 BLACK
28	VIT0009152	CONNECTION
29	VIT0009151	PIN
30	0120004375	FRONT PROTECTION
	0120004375AE	FRONT PROTECTION PURE WHITE RAL 9010
	0120004375CF	FRONT PROTECTION ANTHRACITE GREY RAL 7016
	0120004375CG	FRONT PROTECTION LIGHT GREY RAL 7035
	0120004375CH	FRONT PROTECTION AGATA GREY RAL 7038
	0120004375CM	FRONT PROTECTION MERCEDES GREY RAL 9006
	0120004375CN	FRONT PROTECTION SILICIOUS GREY RAL 7032
	0120004375CF	FRONT PROTECTION SULPHUR YELLOW RAL 1016
	0120004375KE	FRONT PROTECTION FIRE RED RAL 3000
	0120004375NA	FRONT PROTECTION BLACK
31	VIT0004503	NUT M 4
32/a	0010014207CL	BOILER PROTECTION Up to serial 0042999
32/b	0010014212	BOILER PROTECTION SAG H5 From serial 0043001
32/c	0010014279	BOILER PROTECTION H6 From serial 0043001
33	FASC000501	CLIP WIYH DOCKING
34/a	0600012318	BOILER UPPER SUPPORT Up to serial 0042999
34/b	0600012614	BOILER UPPER SUPPORT From serial 0043001
35	FASC000302	LOCK
36/a	0600012317	BOILER LOWER SUPPORT Up to serial 0042999
36/b	0600012615	BOILER LOWER SUPPORT From serial 0043001
37	002003402	BUTTON PLUG
38	0110001119	24V INLET SAFETY VALVE
39	GUA0000021	GASKET 130
40/a	0010019223	3/8 GAS M WATER INLET VALVE CONNECTION
40/b	0810010558	WATER INLET VALVE CONNECTION

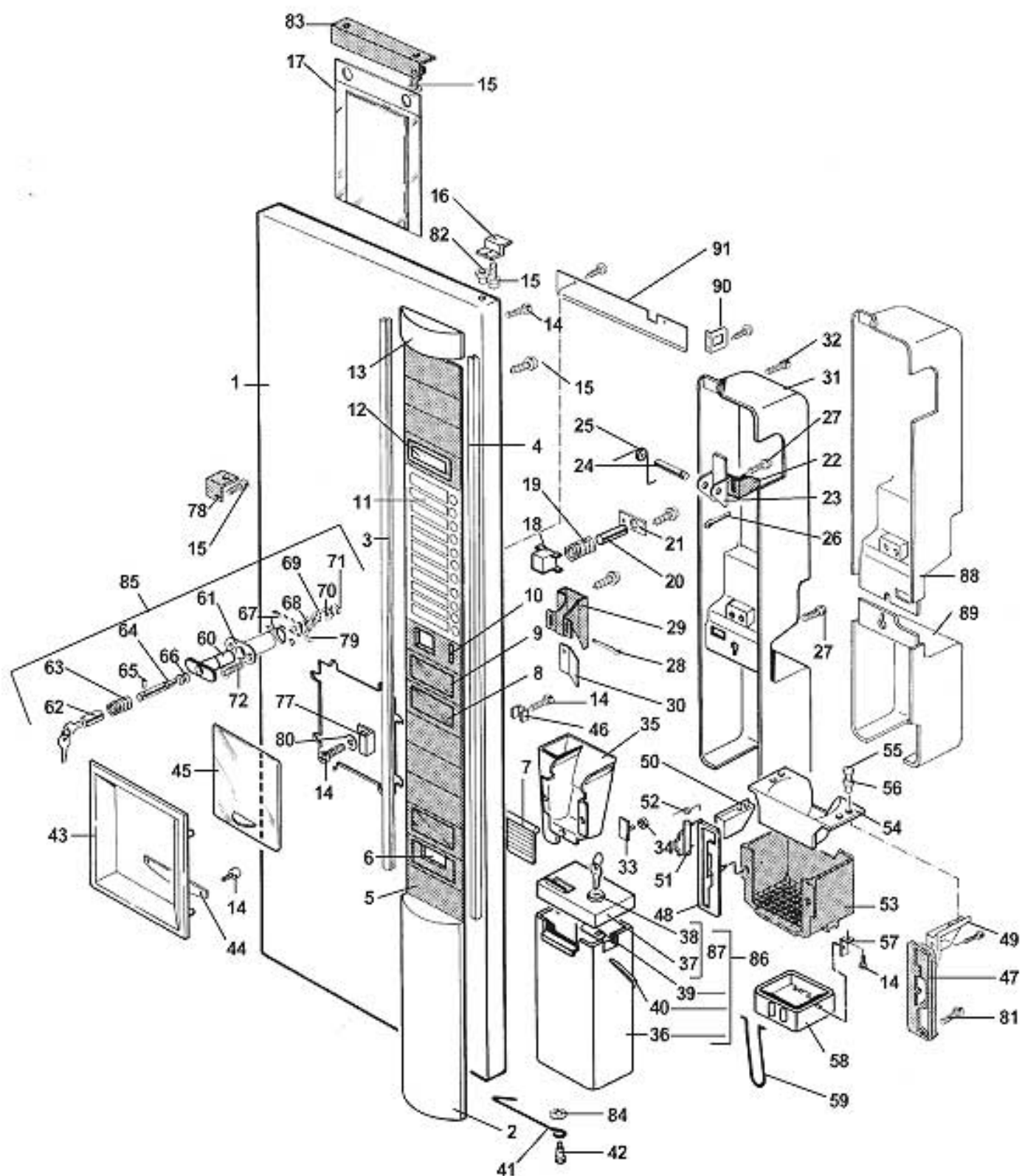
## SAGOMA CABINET (PRESSOBEAN VERSION)



## SAGOMA CABINET (PRESSOBEAN VERSION)

Pos.	Code	Description
1/a	0010014085	SAGOMA E CABINET STRUCTURE Up to serial 0136999
	0010014085AE	SAGOMA E CABINET STRUCTURE Up to serial 0136999 PURE WHITE RAL 9010
	0010014085CF	SAGOMA E CABINET STRUCTURE Up to serial 0136999 ANTHRACITE GREY RAL 7016
	0010014085CG	SAGOMA E CABINET STRUCTURE Up to serial 0136999 LIGHT GREY RAL 7035
	0010014085CH	SAGOMA E CABINET STRUCTURE Up to serial 0136999 AGATA GREY RAL 7038
	0010014085CM	SAGOMA E CABINET STRUCTURE Up to serial 0136999 MERCEDES GREY RAL 9006
	0010014085CN	SAGOMA E CABINET STRUCTURE Up to serial 0136999 SILICIOUS GREY RAL 7032
	0010014085GF	SAGOMA E CABINET STRUCTURE Up to serial 0136999 SULPHUR YELLOW RAL 1016
	0010014085KE	SAGOMA E CABINET STRUCTURE Up to serial 0136999 FIRE RED RAL 3000
	0010014085NA	SAGOMA E CABINET STRUCTURE Up to serial 0136999 BLACK
1/b	0010014355	SAGOMA H CABINET STRUCTURE From serial 0137001
	0010014355AE	SAGOMA H CABINET STRUCTURE From serial 0137001 PURE WHITE RAL 9010
	0010014355CF	SAGOMA H CABINET STRUCTURE From serial 0137001 ANTHRACITE GREY RAL 7016
	0010014355CG	SAGOMA H CABINET STRUCTURE From serial 0137001 LIGHT GREY RAL 7035
	0010014355CH	SAGOMA H CABINET STRUCTURE From serial 0137001 AGATA GREY RAL 7038
	0010014355CM	SAGOMA H CABINET STRUCTURE From serial 0137001 MERCEDES GREY RAL 9006
	0010014355CN	SAGOMA H CABINET STRUCTURE From serial 0137001 SILICIOUS GREY RAL 7032
	0010014355GF	SAGOMA H CABINET STRUCTURE From serial 0137001 SULPHUR GREY RAL 1016
	0010014355KE	SAGOMA H CABINET STRUCTURE From serial 0137001 FIRE RED RAL 3000
	0010014355NA	SAGOMA H CABINET STRUCTURE From serial 0137001 BLACK
2	0010013191	UPPER HINGE
	0010013191AE	UPPER HINGE PURE WHITE RAL 9010
	0010013191CF	UPPER HINGE ANTHRACITE GREY RAL 7016
	0010013191CG	UPPER HINGE LIGHT GREY RAL 7035
	0010013191CH	UPPER HINGE AGATA GREY RAL 7038
	0010013191CM	UPPER HINGE MERCEDES GREY RAL 9006
	0010013191CN	UPPER HINGE SILICIOUS GREY RAL 7032
	0010013191GF	UPPER HINGE SULPHUR YELLOW RAL 1016
	0010013191KE	UPPER HINGE FIRE RED RAL 3000
	0010013191NA	UPPER HINGE BLACK
3	VIT0000215	SCREW TE M8x25
4	VIT0003402	D. 8.4 GROWER SPRING WASHER
5	VIT0004506	M 8 NUT
6	ELE0002410	EXTERNAL TRIPOLAR TERMINAL BLOCK
7	VIT0000236	E.H SCREW M 6 x 11 + FR
8	0010014074	DISPENSER SECURING BRACKET
9	VIT0010701	TPF 8 x 50 DOWEL
10	VIT0003303	WASHER D.6.5 x 18 x 1.5
11	VIT0002022	5.5x 60 TAPPING TCB SCREW
12	0270011465	DOOR SWITCH SUPPORT
13	VIT0003103	WASHER tab D. 4.3
14	VIT0000012	SCREW T.C.B. M 4 x 10
15	ELE0002009	SAFETY SWITCH
16	0270011109CL	SERVICE KEY ASSEMBLY
17	ELE0055003	POWER LEAD H05VV-F 3 x 1.5 SCHUKO PLUG
17/a	ELE0055004	POWER LEAD H0VV-F 3 x 1.5 SC PLUG
17/b	ELE0055006	POWER LEAD H05VV-F 3 x 1.5 GB PLUG
18/a	0010014067	R.H. CABLES PROTECTION Up to serial 9538999
18/b	0010014087	L.H. CABLES PROTECTION Up to serial 0042999
18/c	0010014257	HORIZONTAL LEFT CABLES PROTECTION From serial 0043001
19	VIT0000030	SCREW TCB M4 x 7
20	VIT0009109	M 4 NUT IN RETAINER
21	0010014257	HORIZONTAL LEFT CABLES PROTECTION From serial 0043001
22	VIT0009102	M 6 NUT IN RETAINER
23/a	0010014062	COFFEE BEANS CONTAINER CONNECT
23/b	0010014105	GROUND COFFEE CONTAINER CONNEC
24	VIT0007021	3 x 6 ALUMINIUM RIVET
25	0010014063	RING FOR BIN (NO FOR VERSION FP)
26	CON0000201	RECTANGULAR BIN
27	VIT0010501	SETTING PLATT ES.M 8 x 22 D.30 BLACK
28	VIT0009152	CONNECTION
29	VIT0009151	PIN
30	0120004375	FRONT PROTECTION
	0120004375AE	FRONT PROTECTION PURE WHITE RAL 9010
	0120004375CF	FRONT PROTECTION ANTHRACITE GREY RAL 7016
	0120004375CG	FRONT PROTECTION LIGHT GREY RAL 7035
	0120004375CH	FRONT PROTECTION AGATA GREY RAL 7038
	0120004375CM	FRONT PROTECTION MERCEDES GREY RAL 9006
	0120004375CN	FRONT PROTECTION SILICIOUS GREY RAL 7032
	0120004375GF	FRONT PROTECTION SULPHUR YELLOW RAL 1016
	0120004375KE	FRONT PROTECTION FIRE RED RAL 3000
	0120004375NA	FRONT PROTECTION BLACK
31		
32/a	0010014083	R.H. CABLES PROTECTION E4 From serial 0043001
32/b	0010014256	R.H. CABLES PROTECTION E5 From serial 0043001
33		
34		
35		
36		
37	0020034022	BUTTON PLUG

## SAGOMA DOOR

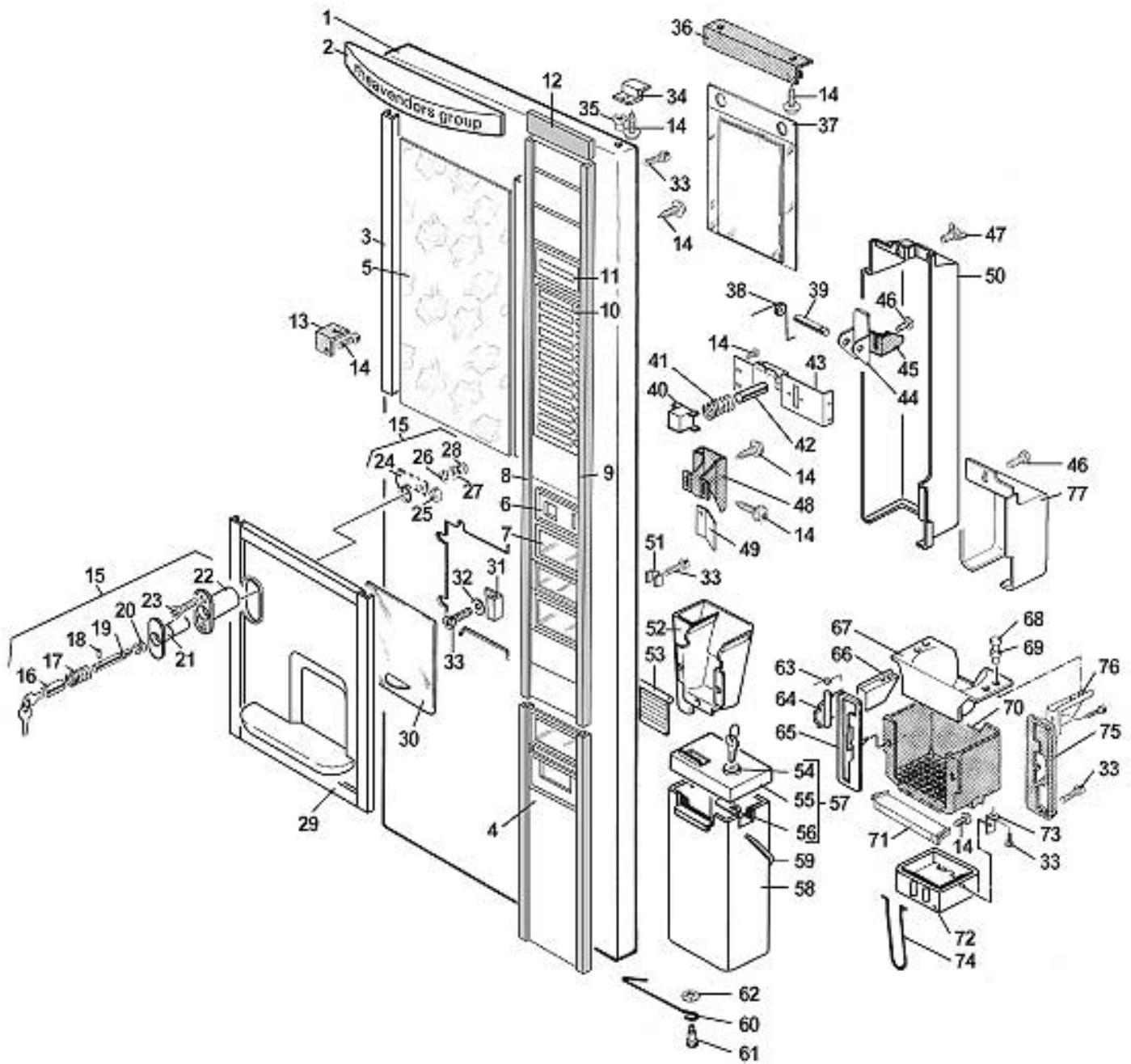


## SAGOMA DOOR

Pos.	Code	Description
1/a	0020034004/1	BALTICA FRONT DOOR Up to serial 9523999
1/b	0020034004/2	WHITE FRONT DOOR Up to serial 9523999
1/c	0020034154/1	MEDITERRANEA FRONT DOOR From serial 9527001
1/d	0020034154/2	BALTICA FRONT DOOR From serial 9527001
1/e	0020034154/3	POLARE FRONT DOOR From serial 9527001
1/f	0020034154/4	CUSTOM 1FRONT DOOR From serial 9527001
1/g	0020034154/5	CUTRINO FRONT DOOR From serial 9527001
1/h	0020034154/6	CAPPUCCINO ESPRESSO FRONT DOOR From serial 9527001
1/i	0020034154/7	BLACK FRONT DOOR WITH ADHESIVE CAPPUCCINO ESPRESSO From serial 9527001
1/j	0020034154/8	RED FRONT DOOR WITH NEUTRAL ADHESIVE From serial 9527001
1/k	0020034154/9	BLACK FRONT DOOR WITH NESTLE ADHESIVE From serial 9527001
1/m	0020034154/10	WHITE FRONT DOOR WITH NEUTRAL ADHESIVE From serial 9527001
2	0020034033	LOWER SUPPORT
3	0020034034	SX VERTICAL PROFILE
	0020034034CF	SX VERTICAL PROFILE ANTHRACITE GREY RAL 7016
	0020034034CG	SX VERTICAL PROFILE LIGHT GREY RAL 7035
	0020034034CK	SX VERTICAL PROFILE DUST GREY RAL 7037
	0020034034CM	SX VERTICAL PROFILE MERCEDES GREY RAL 9006
	0020034034KE	SX VERTICAL PROFILE FIRE RED RAL 3000
	0020034034KF	SX VERTICAL PROFILE RUBY RED RAL 3003
	0020034034NA	SX VERTICAL PROFILE BLACK
4	0020034035	DX VERTICAL PROFILE
	0020034035CF	DX VERTICAL PROFILE ANTHRACITE GREY RAL 7016
	0020034035CG	DX VERTICAL PROFILE LIGHT GREY RAL 7035
	0020034035CK	DX VERTICAL PROFILE DUST GREY RAL 7037
	0020034035CM	DX VERTICAL PROFILE MERCEDES GREY RAL 9006
	0020034035KE	DX VERTICAL PROFILE FIRE RED RAL 3000
	0020034035KF	DX VERTICAL PROFILE RUBY RED RAL 3003
	0020034035NA	DX VERTICAL PROFILE BLACK
5	0020026341	NEUTRAL MODULE
	0020026341CA	NEUTRAL MODULE DOVE GREY RAL 7006
	0020026341CB	NEUTRAL MODULE SAND GREY 153155
	0020026341CF	NEUTRAL MODULE ANTHRACITE GRAY RAL 7016
	0020026341CG	NEUTRAL MODULE LIGHT GREY RAL 7035
	0020026341CI	NEUTRAL MODULE TRAFFIC GREY RAL 7042
	0020026341CK	NEUTRAL MODULE DUST GRAY RAL 7037
	0020026341CM	NEUTRAL MODULE MERCEDES GREY RAL 9006
	0020026341CS	NEUTRAL MODULE BMW GRAY 237
	0020026341NA	NEUTRAL MODULE BLACK
6	0020026344	COIN RETURN MODULE
7	0020018162	COIN RETURN HATCH
	0020018162CA	COIN RETURN HATCH DOVE GREY RAL 7006
	0020018162CF	COIN RETURN HATCH ANTHRACITE GRAY RAL 7016
	0020018162CK	COIN RETURN HATCH DUST GREY RAL 7037
	0020018162CM	COIN RETURN HATCH WINDOW GREY RAL 7040
	0020018162CA	COIN RETURN HATCH ACID YELLOW 153163
	0020018162CC	COIN RETURN HATCH MELON YELLOW RAL 7017
	0020018162GD	COIN RETURN HATCH GRAPES YELLOW PANTONE 610C
	0020018162KA	COIN RETURN HATCH SIGNAL RED RAL 3020
	0020018162NA	COIN RETURN HATCH BLACK
8	0020026342	INSTRUCTION MODULE
	0020026342CA	INSTRUCTION MODULE DOVE GREY RAL 7006
	0020026342CB	INSTRUCTION MODULE SAND GREY 153155
	0020026342CF	INSTRUCTION MODULE ANTHRACITE GRAY RAL 7016
	0020026342CG	INSTRUCTION MODULE LIGHT GREY RAL 7035
	0020026342CI	INSTRUCTION MODULE TRAFFIC GREY RAL 7042
	0020026342CK	INSTRUCTION MODULE DUST GRAY RAL 7037
	0020026342CM	INSTRUCTION MODULE MERCEDES GREY RAL 9006
	0020026342CS	INSTRUCTION MODULE BMW GRAY 237
	0020026342NA	INSTRUCTION MODULE BLACK
9	0020026351	COIN INTRODUCTION MODULE
10	0020026343	COIN INTRODUCTION MODULE
	0020026343CA	COIN INTRODUCTION MODULE DOVE GREY RAL 7006
	0020026343CB	COIN INTRODUCTION MODULE SAND GREY 153155
	0020026343CF	COIN INTRODUCTION MODULE ANTHRACITE GRAY RAL 7016
	0020026343CG	COIN INTRODUCTION MODULE LIGHT GREY RAL 7035
	0020026343CI	COIN INTRODUCTION MODULE TRAFFIC GREY RAL 7042
	0020026343CK	COIN INTRODUCTION MODULE DUST GRAY RAL 7037
	0020026343CM	COIN INTRODUCTION MODULE MERCEDES GREY RAL 9006
	0020026343CS	COIN INTRODUCTION MODULE BMW GRAY 237
	0020026343NA	COIN INTRODUCTION MODULE BLACK
11		See table KEYBOARD
12	0020034032	DISPLAY GLASS
13	0020002981	NEUTRAL UPPER SUPPORT
14	VIT0002452	TAPPING SCREW TCB 3.5 x 12
15	VIT0002401	SCREW TCB 3.5 x 9.5
16/a	0270011466	DOOR SWITCH LEVER Up to serial 9523999
16/b	0270011481	SWITCH OPERATING SQUARE From serial 9527001
17	IMB001208	MANUAL HOLDER ENVELOPE
18	4050010072	COIN RETURN BUTTON
	4050010072AB	COIN RETURN BUTTON WHITE RAL 9016
	4050010072AD	COIN RETURN BUTTON BS WHITE 5118
	4050010072CF	COIN RETURN BUTTON ANTHRACITE GRAY RAL 7016
	4050010072CK	COIN RETURN BUTTON TRAFFIC GREY RAL 7042
	4050010072CK	COIN RETURN BUTTON DUST GREY RAL 7037
	4050010072CM	COIN RETURN BUTTON MERCEDES GREY RAL 9006
	4050010072CP	COIN RETURN BUTTON WINDOW GREY RAL 7040
	4050010072CA	COIN RETURN BUTTON ACID YELLOW 153163
	4050010072CC	COIN RETURN BUTTON MELON YELLOW RAL 7017
	4050010072GD	COIN RETURN BUTTON GRAPES YELLOW PANTONE 610C
	4050010072KA	COIN RETURN BUTTON SIGNAL RED RAL 3020
	4050010072KC	COIN RETURN BUTTON PANTONE 208C RED
	4050010072NA	COIN RETURN BUTTON BLACK
	4050010072XC	COIN RETURN BUTTON CHROMATE
19	4050010074	COIN RETURN BUTTON SPRING
20	0020034023	COIN RETURN PIN
21	0020034177	COIN RETURN BUTTON CONNECTION
22	0020034022	COIN RETURN LOWER BRACKET
23	0020034025	COIN RETURN UPPER LEVER
24	NL202100249	PIN
25	0020005013	COIN RETURN LEVER SPRING
26	VIT0006101	1.5x15 PIN
27	0020034188	COIN BOX PROTECTION SCREW
28	VIT0006012	1.5x40 PIN
29	0020029023NA	COIN INTRODUCTION CHUTE - It's part of kit 0020029023R
30	0020029258	COIN INTRODUCTION CHUTE WALL
31/a	0020034165	CPU PROTECTION Up to serial 9523999
31/b	0020034166	CPU PROTECTION From serial 9527001 Up to serial 9619999 It's part of kit 0020034165/1
32	VIT0000012	SCREW T.C.B. M 4 x 10 Up to serial 9523999
33	0160014013	PLATE WITH STUD BOLT Up to serial 9523999
34	VIT0004503	NUT M 4 Up to serial 9523999
35/a	0020034027	COIN RETURN CHUTE ASSEMBLY Up to serial 9523999
35/b	0020034162	COIN ACCEPTANCE/RETURN CHUTE ASSEMBLY From serial 9527001
36	0030006005	COIN BOX
37	0030006006	COIN BOX COVER
38	SE0000010	BOX 5 RAPID EXTENSION LOCK
39	SE0001005	LOCK BRACKET
40	4060010113	COIN BOX HOOK
41/a	0020030017	DOOR STOP PIN Up to serial 9523999
41/b	0020034172	DOOR STOP ROD From serial 9527001
42/a	NL 201106241	LOCK SECURING SCREW Up to serial 9523999
42/b	0020034173	PIN FOR DOOR STOP ROD From serial 9527001
43	0400008003	CUPS STOP FRAME
44	0150001056	DRIP TRAP
45	0400008009/1	CUPS STOP HATCH
46	4500010012	SECURING CONNECTION
47	0400007014	L.H. SUPPORT
	0400007014CA	L.H. SUPPORT DOVE GREY RAL 7006
	0400007014CB	L.H. SUPPORT SAND GREY 153155
	0400007014IC	L.H. SUPPORT ORANGE RAL 2011
	0400007014NA	L.H. SUPPORT BLACK
	0400007014PG	L.H. SUPPORT BRIGHT BLUE RAL 5012
48	0400007027	R.H. SUPPORT
	0400007027CA	R.H. SUPPORT DOVE GREY RAL 7006
	0400007027CB	R.H. SUPPORT SAND GREY 153155
	0400007027IC	R.H. SUPPORT ORANGE RAL 2011
	0400007027NA	R.H. SUPPORT BLACK
	0400007027PG	R.H. SUPPORT BRIGHT BLU RAL 5012
49	0400006026NA	L.H. BRACKET
50	0400006011NA	R.H. BRACKET
51	0400007017	LOCKING PLATE
	0400007017CA	LOCKING PLATE DOVE GREY RAL 7006
	0400007017NA	LOCKING PLATE BLACK
52	0400007021	LOCKING SPRING
53	0400007003	CUP STOP SUPPORT
	0400007003CA	CUP STOP SUPPORT DOVE GREY RAL 7006
	0400007003CB	CUP STOP SUPPORT SAND GREY 153155
	0400007003IC	CUP STOP SUPPORT ORANGE RAL 2011
	0400007003NA	CUP STOP SUPPORT BLACK

Pos.	Code	Description
	040007003PG	CUP STOP SUPPORT BRIGHT BLUE RAL 5012
54/a	040006033	CUP SUPPORT FOR STICKS MM 89
	040006033CA	CUP SUPPORT FOR STICKS MM 89 DOVE GREY RAL 7006
	040006033C	CUP SUPPORT FOR STICKS MM 89 ORANGE RAL 2011
	040006033NA	CUP SUPPORT FOR STICKS MM 89 BLACK
	040006033G	CUP SUPPORT FOR STICKS MM 89 BRIGHT BLUE RAL 5012
54/b	040006034	CUP SUPPORT FOR STICKS MM 104
55/a	VIT0007105	BUTTON It's part of kit VIT0007104R
55/b	VIT0007111	SECURING BUTTON
56/a	VIT0007104	BUSH It's part of kit VIT0007104R
56/b	VIT0007110	BUSH
57	040008101	FEEDER SUPPORT
	040008101CA	FEEDER SUPPORT DOVE GREY RAL 7006
	040008101CB	FEEDER SUPPORT SAND GREY 153155
	040008101NA	FEEDER SUPPORT BLACK
58	0150001052	FEEDER
	0150001052CA	FEEDER DOVE GREY RAL 7006
	0150001052CB	FEEDER SAND GREY 153155
	0150001052NA	FEEDER BLACK
59	0150001053	FEEDER COUNTERPART
60	1150002112	LOCK BODY
	1150002112AE	LOCK BODY PURE WHITE RAL 9010
	1150002112CF	LOCK BODY ANTHRACITE GREY RAL 7016
	1150002112CG	LOCK BODY LIGHT GREY RAL 7035
	1150002112CH	LOCK BODY AGATA GREY RAL 7038
	1150002112CK	LOCK BODY TRAFFIC GREY RAL 7042
	1150002112CK	LOCK BODY DUST GREY RAL 7037
	1150002112CM	LOCK BODY MERCEDES GREY RAL 9006
	1150002112CN	LOCK BODY SILICIOUS GRAY RAL 7032
	1150002112CI	LOCK BODY OPAQUE MERCEDES GREY RAL 90
	1150002112DA	LOCK BODY PEARL LIGHT GREY RAL 9022
	1150002112DB	LOCK BODY QUARTZ GREY RAL 7039
	1150002112DC	LOCK BODY ALUMINIUM GREY
	1150002112DD	LOCK BODY BLUE GREY
	1150002112DF	LOCK BODY SULPHUR YELLOW RAL 1016
	1150002112KE	LOCK BODY FIRE RED RAL 3000
	1150002112NA	LOCK BODY BLACK
61	1150003306	LOCK SLEEVE
	1150003306AE	LOCK SLEEVE PURE WHITE RAL 9010
	1150003306CF	LOCK SLEEVE ANTHRACITE GREY RAL 7016
	1150003306CG	LOCK SLEEVE LIGHT GREY RAL 7035
	1150003306CH	LOCK SLEEVE AGATA GREY RAL 7038
	1150003306CM	LOCK SLEEVE MERCEDES GREY RAL 9006
	1150003306CN	LOCK SLEEVE SILICIOUS GREY RAL 7032
	1150003306CI	LOCK SLEEVE SULPHUR YELLOW RAL 1016
	1150003306KE	LOCK SLEEVE FIRE RED RAL 3000
	1150003306NA	LOCK SLEEVE BLACK
62	SER0000003	G 5 TUBULAR LOCK
63	1150002113	SPRING
64	1150002111	LOCK PIN
65	VIT0005202	4 x 16 CYLINDRICAL PIN
66	VIT0006508	D 10 RADIAL STOP RING
67	1150003305	LOCK HOOK
68	1150003304	SPACER
69	VIT0003302	5.5x12x1.5 FLAT WASHER
70	VIT0003104	WASHER tab D. 5.1
71	VIT0000208	M 5x10 H.H. SCREW
72	VIT0000106	M 4x8 TSP SCREW
73		
74		
75		
76		
77	0020034168CB	CUPS HATCH GUIDE From serial 9527001
78/a	0020034171	CUPS LOADER LOWER BRACKET From serial 9527001 Up to serial 9744999
78/b	0020034178	500-CUP LOADER LOWER BRACKET From serial 9745001
79	VIT0004503	NUT M 4
80	VIT0003301	WASHER D 12 x 4.3 x 1.5
81	VIT0002455	QUICK-THREAD SCREW 3.5 x 20
82	0020034156	DOOR HINGE BUSH From serial 9527001
83	0020034167	MANUAL HOLDER ENVELOPE SUPPORT From serial 9527001
84	VIT0007102	BENZING-QUICKLOCK From serial 9527001
85	1150003300	SAGOMA LOCK ASSEMBLY
	1150003300AE	SAGOMA LOCK ASSEMBLY PURE WHITE RAL 9010
	1150003300CF	SAGOMA LOCK ASSEMBLY ANTHRACITE GREY RAL 0716
	1150003300CG	SAGOMA LOCK ASSEMBLY LIGHT GREY RAL 7035
	1150003300CH	SAGOMA LOCK ASSEMBLY AGATA GREY RAL 7038
	1150003300CM	SAGOMA LOCK ASSEMBLY MERCEDES GREY RAL 9006
	1150003300CN	SAGOMA LOCK ASSEMBLY SILICIOUS GREY RAL 7032
	1150003300CI	SAGOMA LOCK ASSEMBLY SULPHUR YELLOW RAL 1016
	1150003300KE	SAGOMA LOCK ASSEMBLY FIRE RED RAL 3000
	1150003300NA	SAGOMA LOCK ASSEMBLY BLACK
86	0030006005CL	SAGOMA COIN BOX ASSEMBLY
87	0030006004R	COIN BOX COVER ASSEMBLY
88	0020034174NB	CPU PROTECTION From serial 9620001
89	0020034175NB	COIN BOX PROTECTION From serial 9620001
90	0020034418	CONNECTOR SECURING PLATE
91	0020034417	CABLE PROTECTION



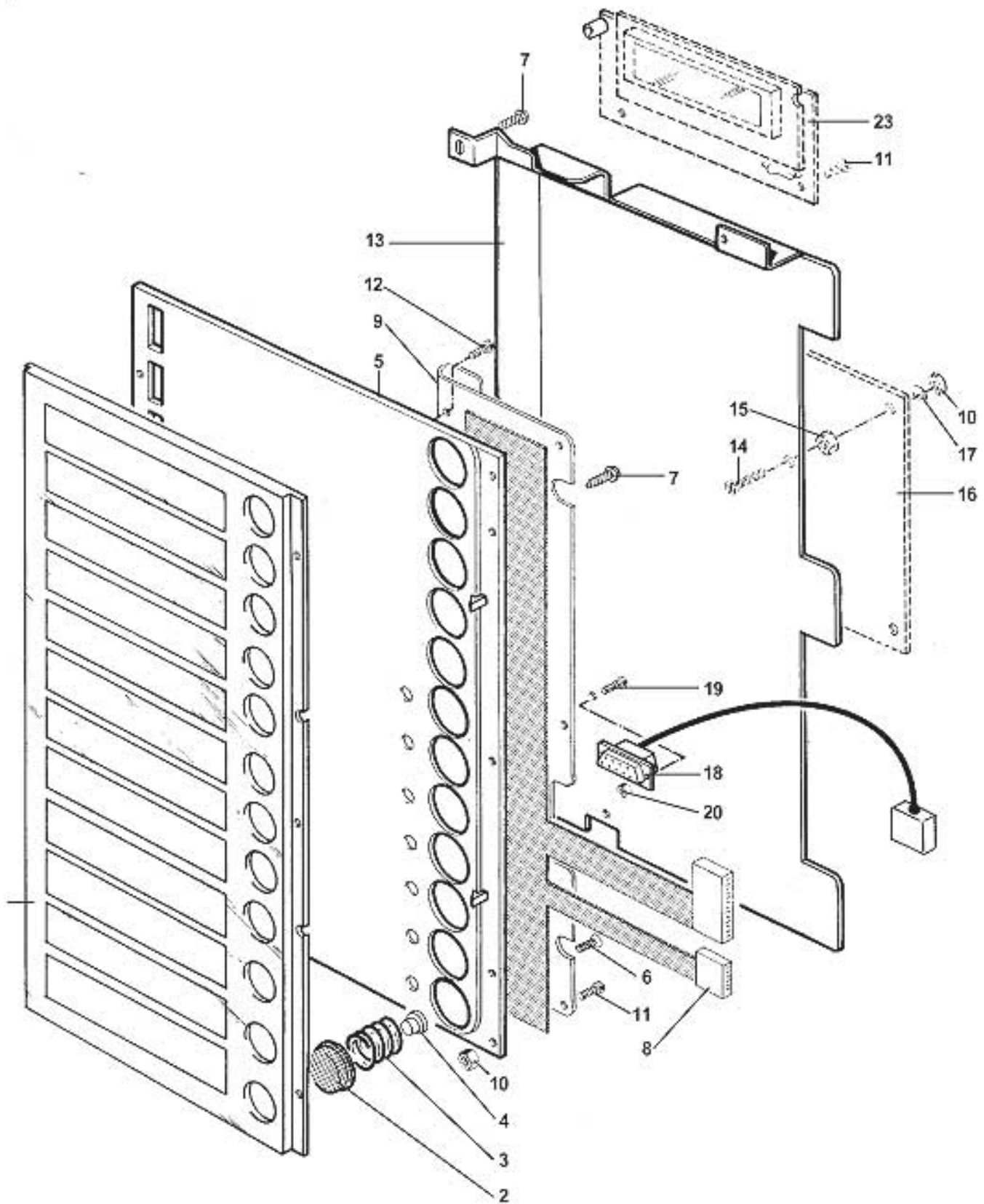


## SAGOMA DOOR LX

Pos.	Code	Description
1	0020034406	SAGOMA DOOR LX
	0020034406AE	SAGOMA DOOR LX PURE WHITE RAL 9010
	0020034406CG	SAGOMA DOOR LX LIGHT GREY RAL 7035
	0020034406CH	SAGOMA DOOR LX AGATA GREY RAL 7038
	0020034406CM	SAGOMA DOOR LX MERCEDES GREY RAL 9006
	0020034406KE	SAGOMA DOOR LX FIRE RED RAL 3000
	0020034410NA	SAGOMA DOOR LX BLACK
2	0020034411CG	UPPER BAND RAL 7035
3	0020034408CG	SIDE FRAME RAL 7035
4	0020034279CG	LOWER SUPPORT
5	1010065461	CAPP CUP SAGOMA LX ADESIVE PA
6	0020028343CG	
7	0020028342CG	
8	0020034414	LEFT SAGOMA LX - LUCE PROFILE
	0020034414CF	LEFT SAGOMA LX - LUCE PROFILE ANTHRACITE GREY RAL 7016
	0020034414CG	LEFT SAGOMA LX - LUCE PROFILE LIGHT GREY RAL 7035
	0020034414CM	LEFT SAGOMA LX - LUCE PROFILE MERCEDES GREY RAL 9006
	0020034414KE	LEFT SAGOMA LX - LUCE PROFILE FIRE RED RAL 3000
	0020034414KF	LEFT SAGOMA LX - LUCE PROFILE RUBY RED RAL 3003
	0020034414NA	LEFT SAGOMA LX - LUCE PROFILE BLACK
9	0020034413	RIGHT SAGOMA LX - LUCE PROFILE
	0020034413CF	RIGHT SAGOMA LX - LUCE PROFILE ANTHRACITE GREY RAL 7016
	0020034413CG	RIGHT SAGOMA LX - LUCE PROFILE LIGHT GREY RAL 7035
	0020034413CM	RIGHT SAGOMA LX - LUCE PROFILE MERCEDES GREY RAL 9006
	0020034413KE	RIGHT SAGOMA LX - LUCE PROFILE FIRE RED RAL 3000
	0020034413KF	RIGHT SAGOMA LX - LUCE PROFILE RUBY RED RAL 3003
	0020034413NA	RIGHT SAGOMA LX - LUCE PROFILE BLACK
10	Ved1 tav 4	
11a	0020034106CG	RAL 7035 DISPLAY GLASS (for sugar regulation version) ONLY FOR VERSION WITH SUGAR REGULATION
11b	0020034106NA	BLACK DISPLAY GLASS (for sugar regulation version) ONLY FOR VERSION WITH SUGAR REGULATION
12	0020034278CG	UPPER SUPPORT
13	0020034171	500-CUP LOADER LOWER BRACKET
14	VIT0002401	SCREW TCB 3.5 x 9.5
15	1150003500	SAGOMA LX COMPLETE LOCK
	1150003500AE	SAGOMA LX COMPLETE LOCK ONLY FOR VERSION WITH SUGAR REGULATION PURE WHITE RAL 9010
	1150003500CF	SAGOMA LX COMPLETE LOCK ONLY FOR VERSION WITH SUGAR REGULATION ANTHRACITE GREY RAL 7016
	1150003500CG	SAGOMA LX COMPLETE LOCK ONLY FOR VERSION WITH SUGAR REGULATION LIGHT GREY RAL 7035
	1150003500CM	SAGOMA LX COMPLETE LOCK ONLY FOR VERSION WITH SUGAR REGULATION MERCEDES GREY RAL 9006
	1150003500CT	SAGOMA LX COMPLETE LOCK ONLY FOR VERSION WITH SUGAR REGULATION OPAQUE MERCEDES GREY RAL 9006
	1150003500NA	SAGOMA LX COMPLETE LOCK ONLY FOR VERSION WITH SUGAR REGULATION BLACK
16	SEF0001113	G 5 TUBULAR LOCK
17	1150002113	SPRING
18	1150002111	LOCK PIN
19	VIT0005202	4 x 16 CYLINDRICAL PIN
20	VIT0006508	Ø 10 RADIAL STOP RING
21	1150002112	LOCK BODY
	1150002112AE	LOCK BODY ONLY FOR VERSION WITH SUGAR REGULATION PURE WHITE RAL 9010
	1150002112CF	LOCK BODY ONLY FOR VERSION WITH SUGAR REGULATION ANTHRACITE GREY RAL 7016
	1150002112CG	LOCK BODY ONLY FOR VERSION WITH SUGAR REGULATION LIGHT GREY RAL 7035
	1150002112CH	LOCK BODY ONLY FOR VERSION WITH SUGAR REGULATION AGATA GREY RAL 7038
	1150002112CM	LOCK BODY ONLY FOR VERSION WITH SUGAR REGULATION MERCEDES GREY RAL 9006
	1150002112CK	LOCK BODY ONLY FOR VERSION WITH SUGAR REGULATION DUST GREY RAL 7037
	1150002112CN	LOCK BODY ONLY FOR VERSION WITH SUGAR REGULATION SILICIOUS GRAY RAL 7032
	1150002112CT	LOCK BODY ONLY FOR VERSION WITH SUGAR REGULATION OPAQUE MERCEDES GREY RAL 9006
	1150002112DA	LOCK BODY ONLY FOR VERSION WITH SUGAR REGULATION PEARL LIGHT GREY RAL 9022
	1150002112DB	LOCK BODY ONLY FOR VERSION WITH SUGAR REGULATION QUARTZ GREY RAL 7039
	1150002112DC	LOCK BODY ONLY FOR VERSION WITH SUGAR REGULATION ALUMINIUM GREY
	1150002112DD	LOCK BODY ONLY FOR VERSION WITH SUGAR REGULATION BLUE GREY
	1150002112DF	LOCK BODY ONLY FOR VERSION WITH SUGAR REGULATION SULPHUR YELLOW RAL 1016
	1150002112KE	LOCK BODY ONLY FOR VERSION WITH SUGAR REGULATION FIRE RED RAL 3000
	1150002112NA	LOCK BODY ONLY FOR VERSION WITH SUGAR REGULATION BLACK
22	1150003326	SLEEVE
	1150003326AE	SLEEVE ONLY FOR VERSION WITH SUGAR REGULATION PURE WHITE RAL 9010
	1150003326CF	SLEEVE ONLY FOR VERSION WITH SUGAR REGULATION ANTHRACITE GREY RAL 7016
	1150003326CG	SLEEVE ONLY FOR VERSION WITH SUGAR REGULATION LIGHT GREY RAL 7035
	1150003326CH	SLEEVE ONLY FOR VERSION WITH SUGAR REGULATION AGATA GREY RAL 7038
	1150003326CM	SLEEVE ONLY FOR VERSION WITH SUGAR REGULATION MERCEDES GREY RAL 9006
	1150003326CN	SLEEVE ONLY FOR VERSION WITH SUGAR REGULATION OPAQUE MERCEDES GREY RAL 9006
	1150003326NA	SLEEVE ONLY FOR VERSION WITH SUGAR REGULATION BLACK
23	VIT0000108	M 4x16 TSP SCREW
24a	1150003327	LOCK HOOK SAGOMA LX Up to serial 0136999
24b	1150003328	LOCK HOOK SAGOMA LX From serial 0137001
25	VIT0000416	M 4 SELF LOCKING NUT
26	VIT0000302	5.5x12x1.5 FLAT WASHER
27	VIT00003104	WASHER tab D 5.1
28	VIT0000208	M 5x10 H.H. SCREW
29	0020034407CG	CUPS STOP FRAME
30	0400008092	CUPS HATCH
31	0020034168CB	CUPS HATCH GUIDE
32	VIT00003301	WASHER D.12 x 4.3 x 1.5
33	VIT0002464	QUICK-THREAD SCREW 3.5 x 10 CROSS
34	0270011481	SWITCH OPERATING SQUARE
35	0020034167	DOOR HINGE BUSH
36	0020034167	MANUAL HOLDER ENVELOPE SUPPORT
37	IMB0001208	MANUAL HOLDER ENVELOPE
38	0020005013	COIN RETURN LEVER SPRING
39	0020034187	PIN
40	4050010072	COIN RETURN BUTTON
	4050010072AB	COIN RETURN BUTTON WHITE RAL 9016
	4050010072AD	COIN RETURN BUTTON BS WHITE 5118
	4050010072CF	COIN RETURN BUTTON ANTHRACITE GRAY RAL 7016
	4050010072CG	COIN RETURN BUTTON LIGHT GREY RAL 7042
	4050010072CK	COIN RETURN BUTTON DUST GREY RAL 7037
	4050010072CM	COIN RETURN BUTTON MERCEDES GREY RAL 9006
	4050010072CP	COIN RETURN BUTTON WINDOW GREY RAL 7040
	4050010072CA	COIN RETURN BUTTON ACID YELLOW 153163
	4050010072CB	COIN RETURN BUTTON MELON YELLOW RAL 7017
	4050010072CD	COIN RETURN BUTTON GRAPES YELLOW PANTONE 610C
	4050010072KA	COIN RETURN BUTTON SIGNAL RED RAL 3020
	4050010072KC	COIN RETURN BUTTON PANTHONE 208C RED
	4050010072NA	COIN RETURN BUTTON BLACK
	4050010072NC	COIN RETURN BUTTON CHROMATE
41	4050010074	COIN RETURN BUTTON SPRING
42	0020034023	COIN RETURN PIN
43	0020029294	COINS MODULE COVER
44	0020008105	COIN RETURN UPPER LEVER
45	0020028322	COIN RETURN LOWER BRACKET
46	VIT0000030	SCREW TCB M4 x 7
47	VIT0007008	M 4 x 10 SCREW
48	0020034045CB	COIN INTRODUCTION CHUTE 153155
49	0020029288	COIN INTRODUCTION CHUTE WALL
50a	0020034174NB	CPU PROTECTION FOR OLD ELECTRONIC VERSION
50b	0020034518NB	CPU PROTECTION (only for new electronic versions) FOR NEW ELECTRONIC VERSION
51	4600010012	SECURING CONNECTION
52	0020029444	COIN ACCEPT-RETURN CHUTE ASSEMBLY
53	0020018162	COIN RETURN HATCH
	0020018162CA	COIN RETURN HATCH DOVE GREY RAL 7006
	0020018162CF	COIN RETURN HATCH ANTHRACITE GRAY RAL 7016
	0020018162CK	COIN RETURN HATCH DUST GREY RAL 7037
	0020018162CP	COIN RETURN HATCH WINDOW GREY RAL 7040
	0020018162CA	COIN RETURN HATCH ACID YELLOW 153163
	0020018162CB	COIN RETURN HATCH MELON YELLOW RAL 7017
	0020018162CD	COIN RETURN HATCH GRAPES YELLOW PANTONE 610C
	0020018162KA	COIN RETURN HATCH SIGNAL RED RAL 3020
	0020018162NA	COIN RETURN HATCH BLACK
54	SEF0001110	BOX'S RAPID EXTENSION LOCK
55	0030006006	COIN BOX COVER
56	SEF0001005	LOCK BRACKET
57	0030006004R	COIN BOX COVER ASSEMBLY
58	0030006105	COIN SHEET COVER
59	4050010113	COIN BOX HOOK
60	0020034172	DOOR STOP ROD
61	0020034173	PIN FOR DOOR STOP ROD
62	VIT0007102	BENZING-QUICKLOCK
63	0400007021	LOCKING SPRING
64	0400007017	LOCKING PLATE
	0400007017CA	LOCKING PLATE DOVE GREY RAL 7006
	0400007017NA	LOCKING PLATE BLACK
65	0400007027NA	R.H. SUPPORT
66	0400006011NA	R.H. BRACKET
67	0400006033NA	CUP SUPPORT
68	VIT0007104R	BUSH
69	0020026341	NEUTRAL MODULE
	0020026341CA	NEUTRAL MODULE DOVE GREY RAL 7006
	0020026341CB	NEUTRAL MODULE SAND GREY T53155
	0020026341CF	NEUTRAL MODULE ANTHRACITE GRAY RAL 7016
	0020026341CG	NEUTRAL MODULE LIGHT GREY RAL 7035
	0020026341CI	NEUTRAL MODULE TRAFFIC GREY RAL 7042

Pos.	Code	Description
	0020026341CK	NEUTRAL MODULE DUST GRAY RAL 7037
	0020026341CM	NEUTRAL MODULE MERCEDES GREY RAL 9006
	0020026341CS	NEUTRAL MODULE BMW GRAY 237
	0020026341NA	NEUTRAL MODULE BLACK
70	0400007003NA	CUP STOP SUPPORT
71	0150001056	DRIP TRAP
72	0150001052	FEEDER
	0150001052CA	FEEDER DOVE GREY RAL 7006
	0150001052CB	FEEDER SAND GREY 153155
	0150001052NA	FEEDER BLACK
73	0400008101NA	FEEDER SUPPORT
74	0150001053	FEEDER COUNTERPART
75	0400007014NA	L.H. SUPPORT
76	0400006026NA	L.H. BRACKET
77a	0020034175NB	COIN BOX PROTECTION FOR OLD ELECTRONIC VERSION
77b	0020034409NB	COIN BOX PROTECTION (for new electronics version) FOR NEW ELECTRONIC VERSION
89	0020034409NB	COIN BOX PROTECTION (for new electronics version)
90	0400007028	SECURITY PLATE
91	0020034539	DISPLAY STIFFENING
92	0020029626	SUGAR MODULE DISPLAY WITH SUGAR
	0020029626CF	SUGAR MODULE DISPLAY WITH SUGAR ANTHRACITE GRAY RAL 7016
	0020029626CG	SUGAR MODULE DISPLAY WITH SUGAR LIGHT GRAY RAL 7035
	0020029626CK	SUGAR MODULE DISPLAY WITH SUGAR DUST GRAY RAL 7037
	0020029626CS	SUGAR MODULE DISPLAY WITH SUGAR BMW GREY 237
	0020029626NA	SUGAR MODULE DISPLAY WITH SUGAR BLACK
93	0020034538NA	BLACK LED DISPLAY GLASS
94	0020029628	KEYBOARD UPPER SUPPORT
95	0020029630	2-KEY SUGAR KEYBOARD
96	0020029629	KEYBOARD LOWER SUPPORT
97	0020034305	SELECTION BUTTON
	0020034305AB	SELECTION BUTTON WHITE RAL 9016
	0020034305CG	SELECTION BUTTON LIGHT GREY RAL 7035
	0020034305CK	SELECTION BUTTON DUST GREY RAL 7037
	0020034305CP	SELECTION BUTTON WINDOW GREY RAL 7040
	0020034305C	SELECTION BUTTON ORANGE RAL 2011
	0020034305KA	SELECTION BUTTON SIGNAL RED RAL 3020
	0020034305PB	SELECTION BUTTON BLUE RAL 5014
	0020034305PG	SELECTION BUTTON LIGHT BLUE RAL 5012
98	0020034311	FEELER SPRING
99	V110002401	SCREW TCB 3,5 x 9,5
100	V110002002	SCREW TCB 3,5x6,5
101	0020029456	HOUSING CLOSING SHEET
102	0020029637	WASHING PROGRAM KEYBOARD LABEL

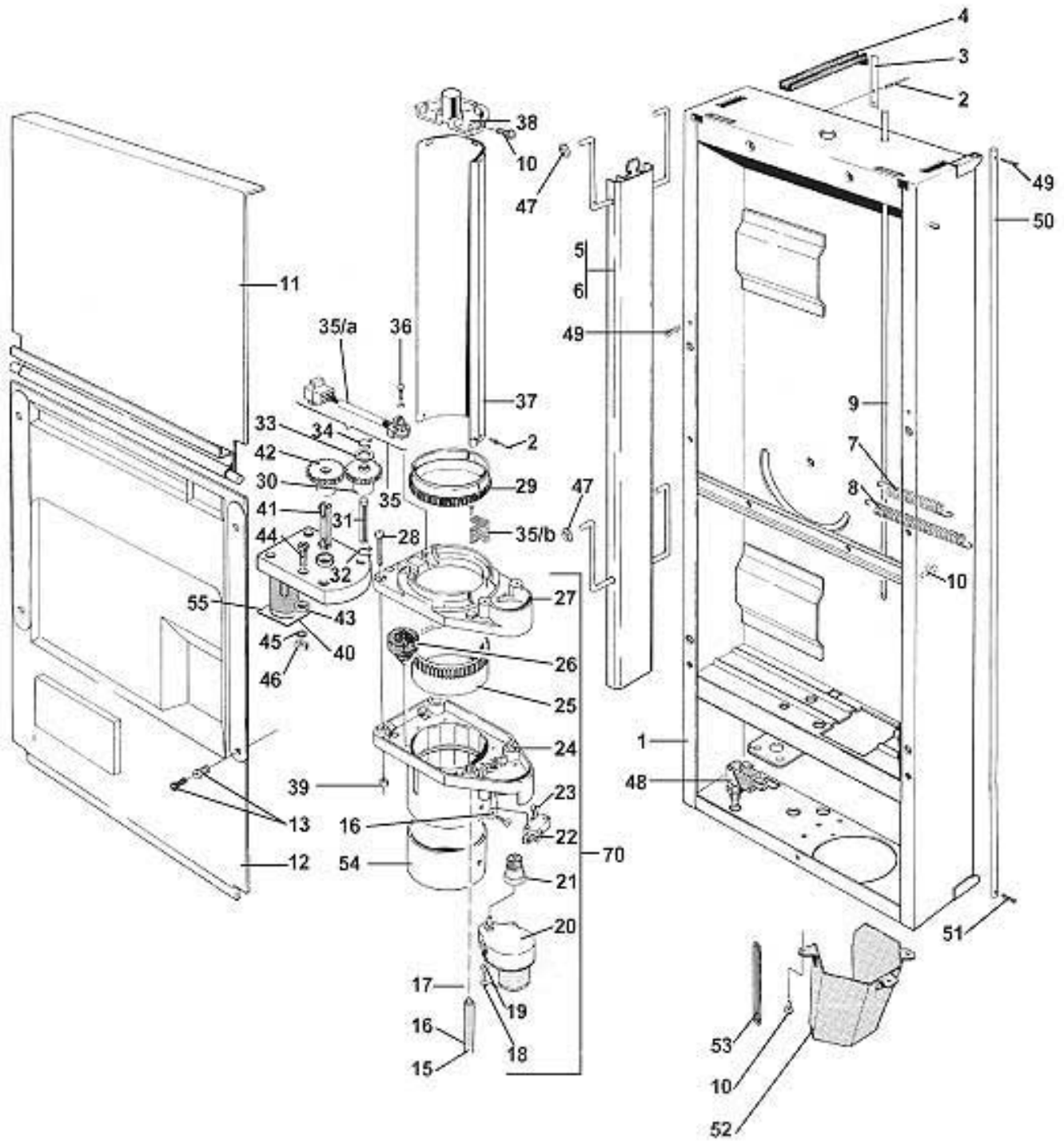
## SAGOMA KEYBOARD



# SAGOMA KEYBOARD

Pos.	Code	Description	
1/1	0020034105CG	SPOTTED BUTTONS GLASS	*
1/2	0020034105CI	GREY BUTTON GLASS (TRAFFIC GREY RAL 7042)	*
1/3	0020034105NA	BLACK BUTTON GLASS	*
2/1	0020034015AB	WHITE BUTTON	*
2/2	0020034015CD	GREY BUTTON	*
2/3	0020034015CK	GREY BUTTON	*
2/4	0020034015GC	JELLOW BUTTON	*
2/5	0020034015IC	ORANGE BUTTON	*
2/6	0020034015KA	RED BUTTON	*
2/7	0020034015MA	GREEN BUTTON	*
2/8	0020034015NA	BLACK BUTTON	*
2/9	0020034015PB	BLUE BUTTON	*
3	0020034016	BUTTON SPRING	
4	0020034022	BUTTON PLUG	
5	0020034014	BUTTONS PLATE	
6	VIT0000031	M 2.5x6 SLOTTED SCREW	
7	VIT0002401	SCREW TCB 3.5 x 9.5	
8	0020034050	KEYBOARD	
9	0020034033	KEYBOARD SUPPORT	
10	VIT0004503	NUT M 4	
11	VIT0000030	SCREW TCB M4 x 7	
12	VIT0002001	TCB 2.9x 6.5 TAPPING SCREW	
13/a	0020034158	CPU BOARD SUPPORT FOR OLD ELECTRONIC VERSION	
13/b	0020034299	CPU BOARD SUPPORT FOR NEW ELECTRONIC VERSION	
14	VIT0000014	M 4x16 TCB SCREW	
15	0020018125	BOARD SPACER	
16	see tab. 18		
17	VIT0003502	PLASTIC WASHER D.4 SP.0.5	
18	CBL0900704	DATA COLLECTION WIRING	
19	VIT0000002	M 3x16 TCB SCREW	
20	VIT0004502	M3 NUT	
21	0020034512	PROGRAMMING KEYBOARD SECURING PLATE	
22	see tab. 18		

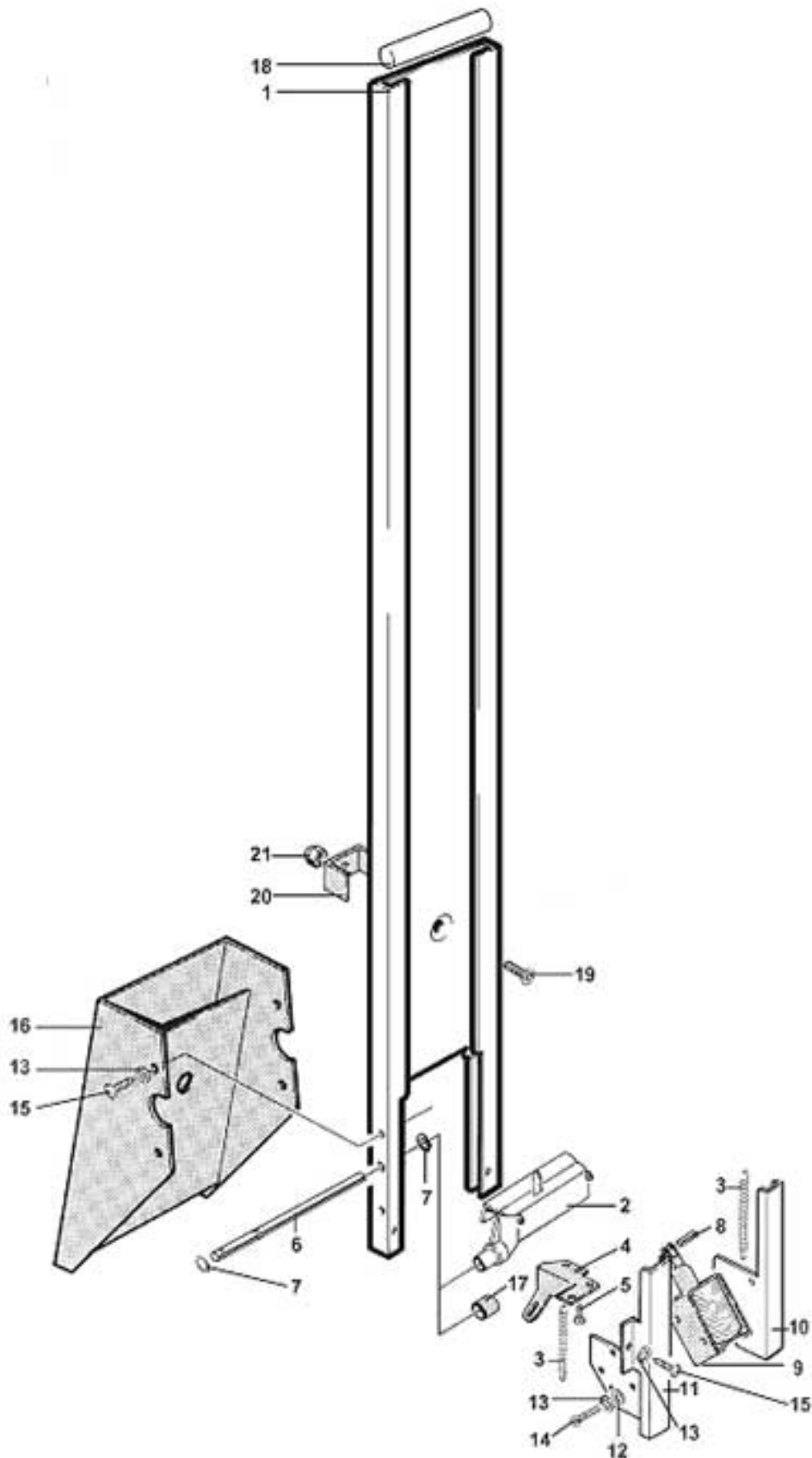
## SAGOMA CUPS LOADER



## SAGOMA CUPS LOADER

Pos.	Code	Description
1	0180011755	500-CUP LOADER STRUCTURE
2	VIT0007020	3 x 7 ALUMINIUM RIVET
3	0180009051	STOP CONNECTION SPRING
4	0180009054	STOP CONNECTION
5	0180011757R	L.H. WALL ASSEMBLY
6	0180011758R	R.H. WALL ASSEMBLY
7	2100002007	CUPS LOADER SPRING
8	0180011554	SPRING
9	0180011759	CUPS GUIDE PIN
10	VIT0002401	SCREW TCB 3.5 x 9.5
11	0180011764	LOADER COVER
12	0180011771CK	
13	VIT0007104R	BUSH
14		
15	VIT0000002	M 3x16 TCB SCREW
16	VIT0003002	D.3.2x7x0.5 WASHER
17	0180011534	COLUMN
18	VIT0000006	M 3x16 TCB SCREW
19	VIT0003102	WASHER tab D. 3.2
20	0090002512	24 V DC 10 ROM GEAR MOTOR HEXAGONAL SHAFT
21	0190006007	FGEAR MOTOR PINION
22	ELE0001522	1-WAY 16 A 250 V MICROSWITCH
23	ELE0001906	161 E R 24.1 MICRO LEVER
24	0190006056	LOWER PLATE It's part of kit 0190012155CL
25	0190006004	Z 66 RING NUT
26	0190006005	CAM WITH PINION
27	0190012155	UPPER PLATE It's part of kit 0190012155CL
28	VIT0000019	M 5x35 TCB SCREW
29	0180011762	CENTRAL COLUMN RING NUT
30	0190012108	Z.30 PINION
31	0180011533	DB SHAFT FOR Z.30 PINION
32	VIT0006502	D.3.2 RADIAL STOP RING
33	VIT0003303	WASHER D.6.5 x 18 x 1.5
34	VIT0006503	D.4 RADIAL STOP RING
35/a	SCH0005100	
35/b	SCH0004220	CUP DETECTOR
36	VIT0002001	TCB 2.9x 6.5 TAPPING SCREW
37	0180011761	CENTRAL COLUMN
38	0180005007	CENTRAL COLUMN GUIDE
39	VIT0004504	M 4 NUT
40	0090002114R	24V DC 11 RPM GEAR MOTOR W/FILTER
41	0380010421	GEAR MOTOR SHAFT
42	0180011544	Z.30 PINION WITH SQUARE SEAT
43	0180011553	GEAR MOTOR SPACER
44	VIT0000015	M 4x25 TCB SCREW
45	VIT0003103	WASHER tab D. 4.3
46	VIT0004503	NUT M 4
47	VIT0007102	BENZING-QUICKLOCK
48	ELE0001506	MICROSWITCH 83.131.8-IW3M FOR OLD ELECTRONIC VERSION
49	VIT0002001	TCB 2.9x 6.5 TAPPING SCREW
50	0180011763	LOADER HINGE PIN
51	VIT0006004	1.5x15 PIN
52	0180011528	CUPS CHUTE
	0180011528CK	CUPS CHUTE FOR OLD ELECTRONIC VERSION DUST GREY RAL 7037
53	0180010058	CUP STOP PIN
54	0190006057	H.55 CUP GUIDE CHUTE
70	0190006050R	CUPS DISPENSER
100	0180011760CL	CUPS LOADER / DIPENSER ASSEMBLY

## SAGOMA STICKS DISPENSER

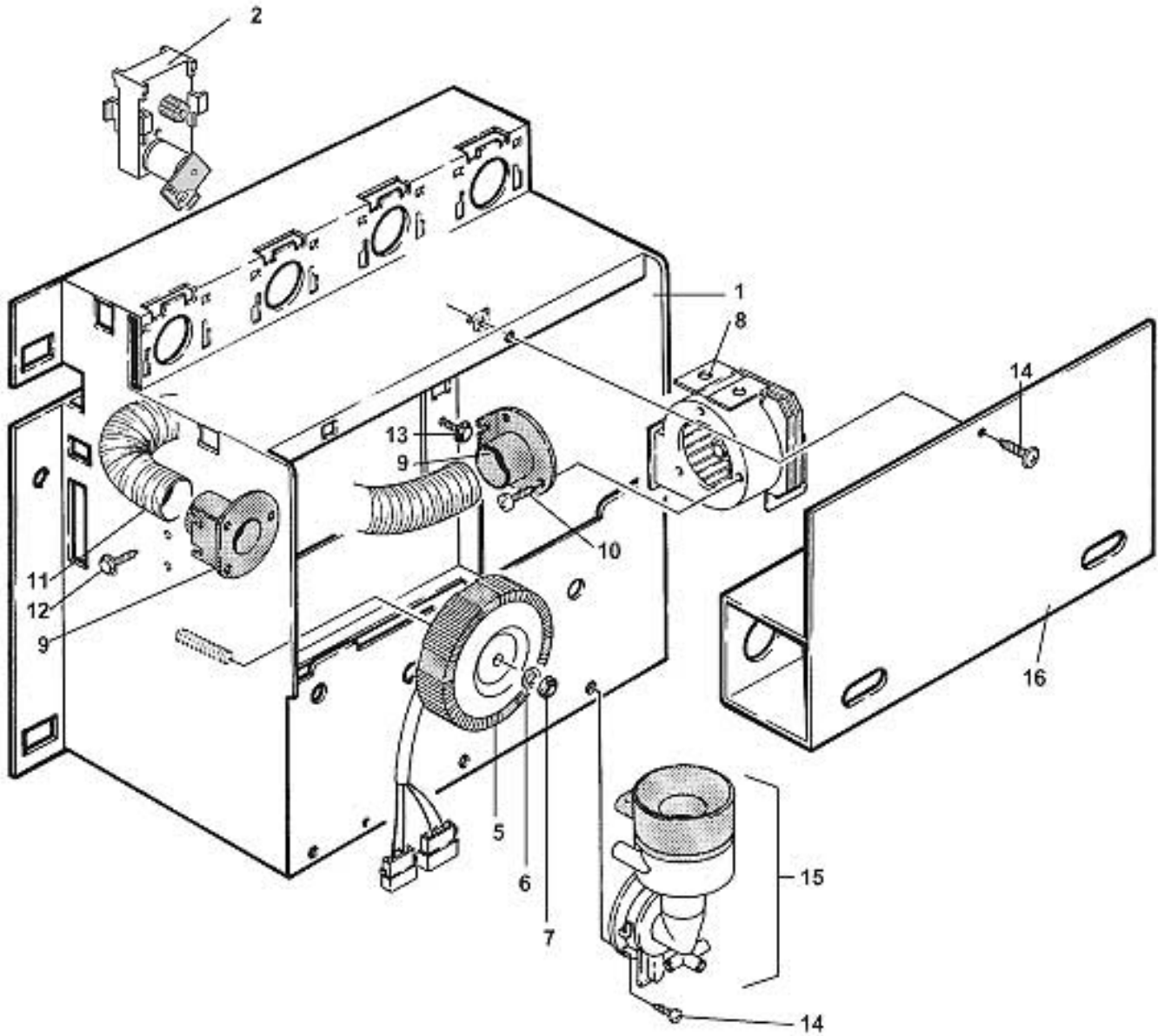




## SAGOMA STICKS DISPENSER

Pos.	Code	Description	
1/a	0450007013	STICKS CONTAINER mm 89	
1/b	0450003076	STICKS CONTAINER mm 104	
2	0450002003	STICKS DISPENSER	
3	0450003010	RETURN SPRING	
4	0450003108	ELECTROMAGNET CONNECTING ROD	
5	VIT0002469	SCREW TC 3.5 x 10	
6/a	0450003008	STICKS DISPENSER PIN 89 mm	
6/b	0450003032	STICKS DISPENSER PIN 104 mm	
7	VIT0006504	D.5 RADIAL STOP RING	
8	VIT0005211	2.5 x 12 CYLINDRICAL PIN	
9	ELE0000055	24 V DC ELECTROMAGNET	
10	0450003106	ELECTROMAGNET R.H SUPPORT	
11	0450003107	ELECTROMAGNET L.H. SUPPORT	
12	VIT0003003	WASHER D.8 x 4.3 x 0.8	
13	VIT0003405	D.4.3 GROWER WASHER	
14	VIT0000021	M 4x6 TCB SCREW	
15	VIT0002401	SCREW TCB 3.5 x 9.5	
16/a	0450003066	STICKS FEEDER mm 89	
16/b	0450003077	STICKS FEEDER mm 104	
17	0450003031	STICKS DISPENSER SPACER 104 mm	
18/a	4001012030	STICK WEIGHT 89 mm	
18/b	0450003033	STICK WEIGHT 104 mm	
19	VIT0000109	M 4x20 TSP SCREW	
20	4600010012	SECURING CONNECTION From serial 9527001	
21	VIT0004810	M 4 SELFLOCKING NUT	
100	0450003060CL	SAGOMA STICKS DISPENSER mm 89 EXCEPT POS. 18	assieme
101	0450003070CL	SAGOMA STICKS DISPENSER mm 104 EXCEPT POS. 18	assieme

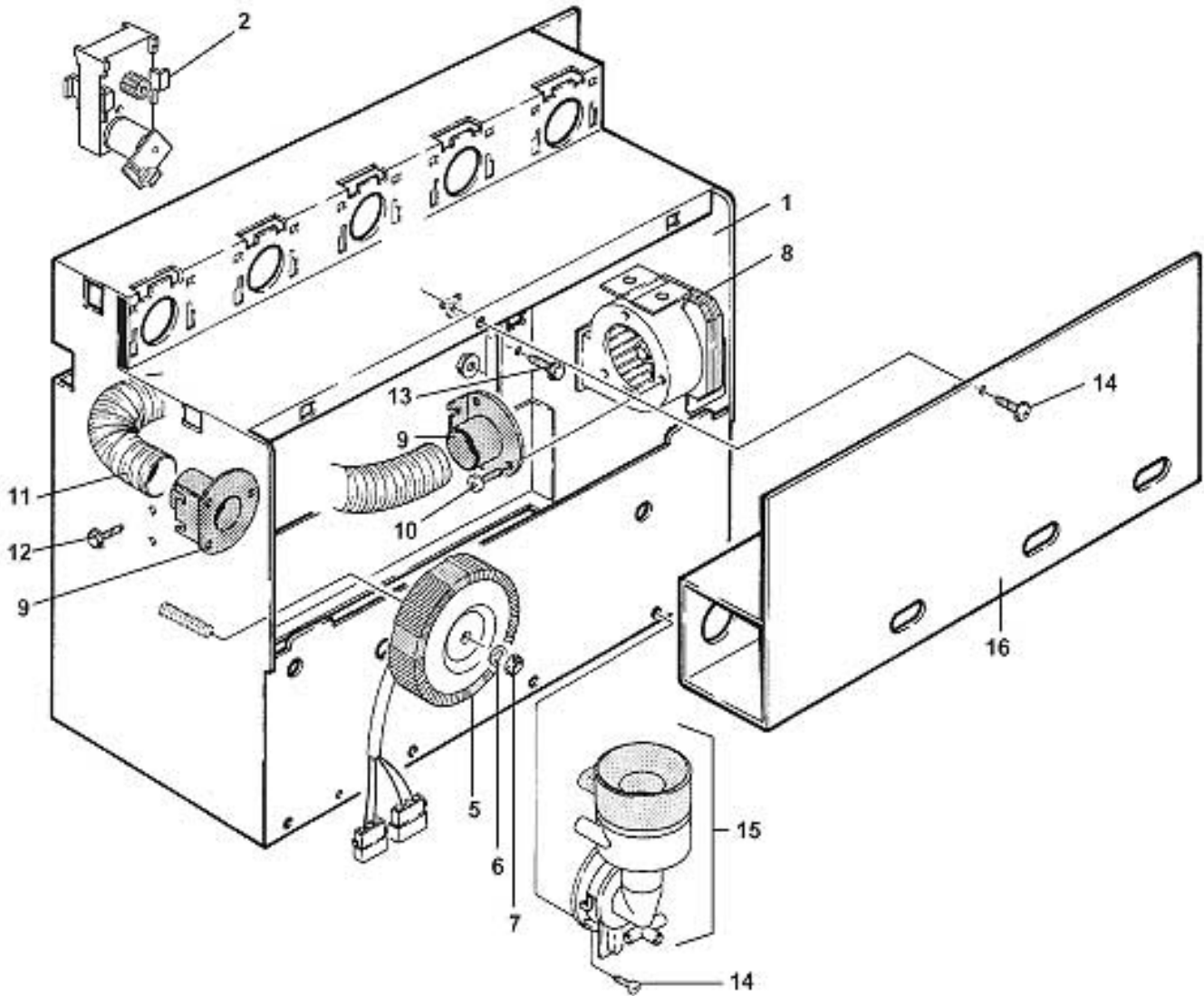
## SAGOMA SOLUBLES DISPENSER H



## SAGOMA SOLUBLES DISPENSER H

Pos.	Code	Description
1/a	0070010408R	SOLUBLES 5 HOUSING
1/b	0070010964R	SOLUBLES HOUSING 6
2	0090002113R	24V DC 97RPM PRODUCT GEAR MOTOR + FILTER
3		
4		
5	ELE0000565R	150VA E.230V-U.26-8,6V TOROIDAL TRANSFORMER
6	VIT0003453	6.4x12.5x1.6 FLAT WASHER
7	VIT0004505	NUT M6
8	ELE0000458	EXHAUST FAN
9	0010014071	D.30 EXHAUST COVER
10	VIT0002001	TCB 2.9x 6.5 TAPPING SCREW
11	TEOL000002	EXTERNAL WRINKLED PIPE D.30
12	VIT0002469	SCREW TC 3.5 x 10
13	VIT0002455	QUICK-THREAD SCREW 3.5 x 20
14	VIT0002401	SCREW TCB 3.5 x 9.5
15	see tab. 8	
16/a	0070010411	H/5 EXHAUST COVER ASSEMBLY    It's part of kit 0070010388CL
16/b	0070010969	H/6 COMPLETE EXHAUST

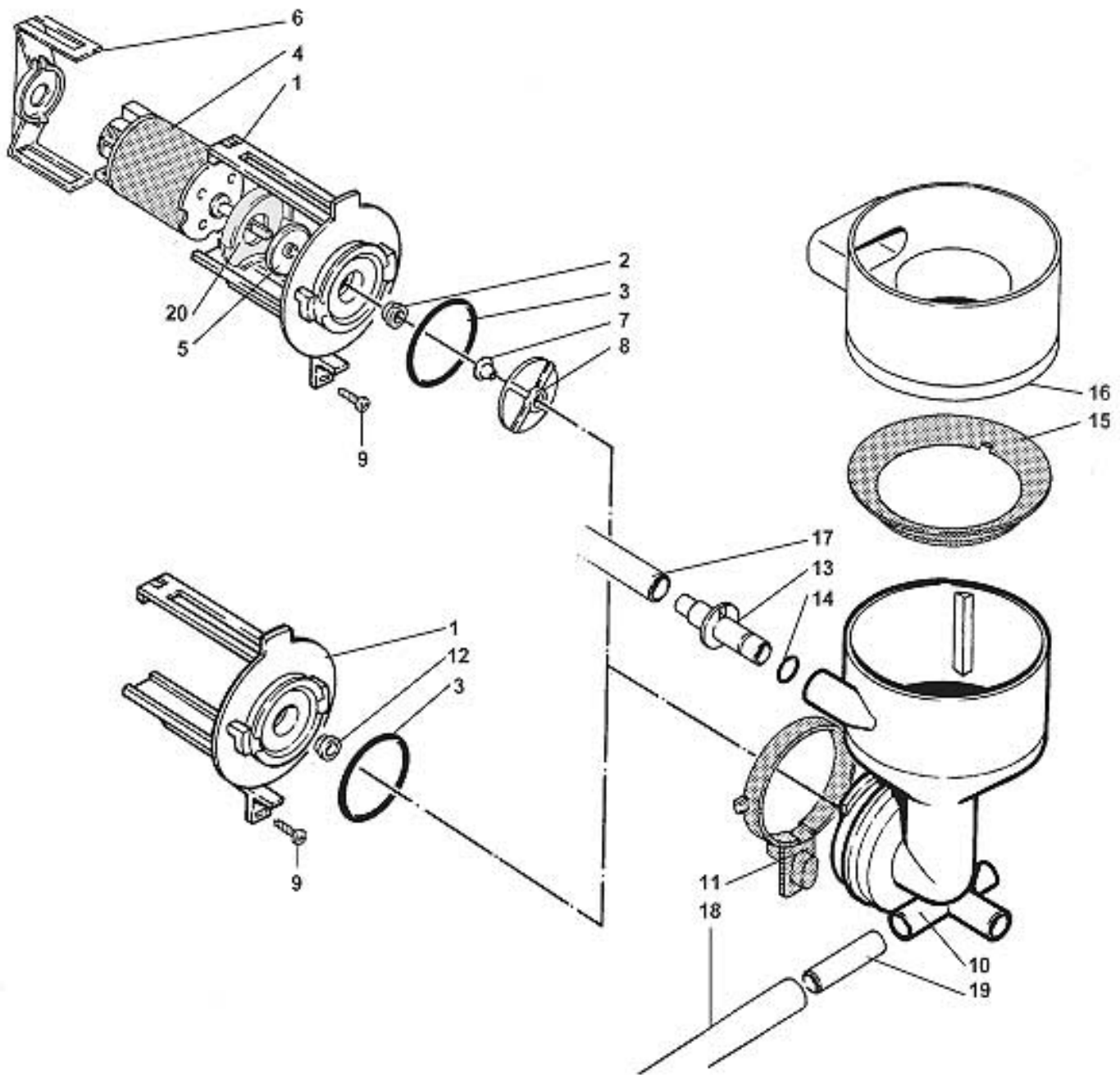
## SAGOMA SOLUBLES DISPENSER E



## SAGOMA SOLUBLES DISPENSER E

Pos.	Code	Description
1	0070010455R	SOLUBLES 4 HOUSING
2	0090002113R	24V DC 97RPM PRODUCT GEAR MOTOR + FILTER
3		
4		
5	ELE0000565R	150VA E.230V-U.26-8,6V TOROIDAL TRANSFORMER
6	VIT0003453	6.4x12.5x1.6 FLAT WASHER
7	VIT0004505	NUT M6
8	ELE0000458	EXHAUST FAN
9	0010014071	D.30 EXHAUST COVER
10	VIT0002001	TCB 2.9x 6.5 TAPPING SCREW
11	TEOL000002	EXTERNAL WRINKLED PIPE D.30
12	VIT0002469	SCREW TC 3.5 x 10
13	VIT0002455	QUICK-THREAD SCREW 3.5 x 20
14	VIT0002401	SCREW TCB 3.5 x 9.5
15	Vedi tav. 8	
16/a	0070010459	'E' EXHAUST COVER ASSEMBLY
16/b	0070010422	E/5 ASSEMBLY EXHAUST COVER

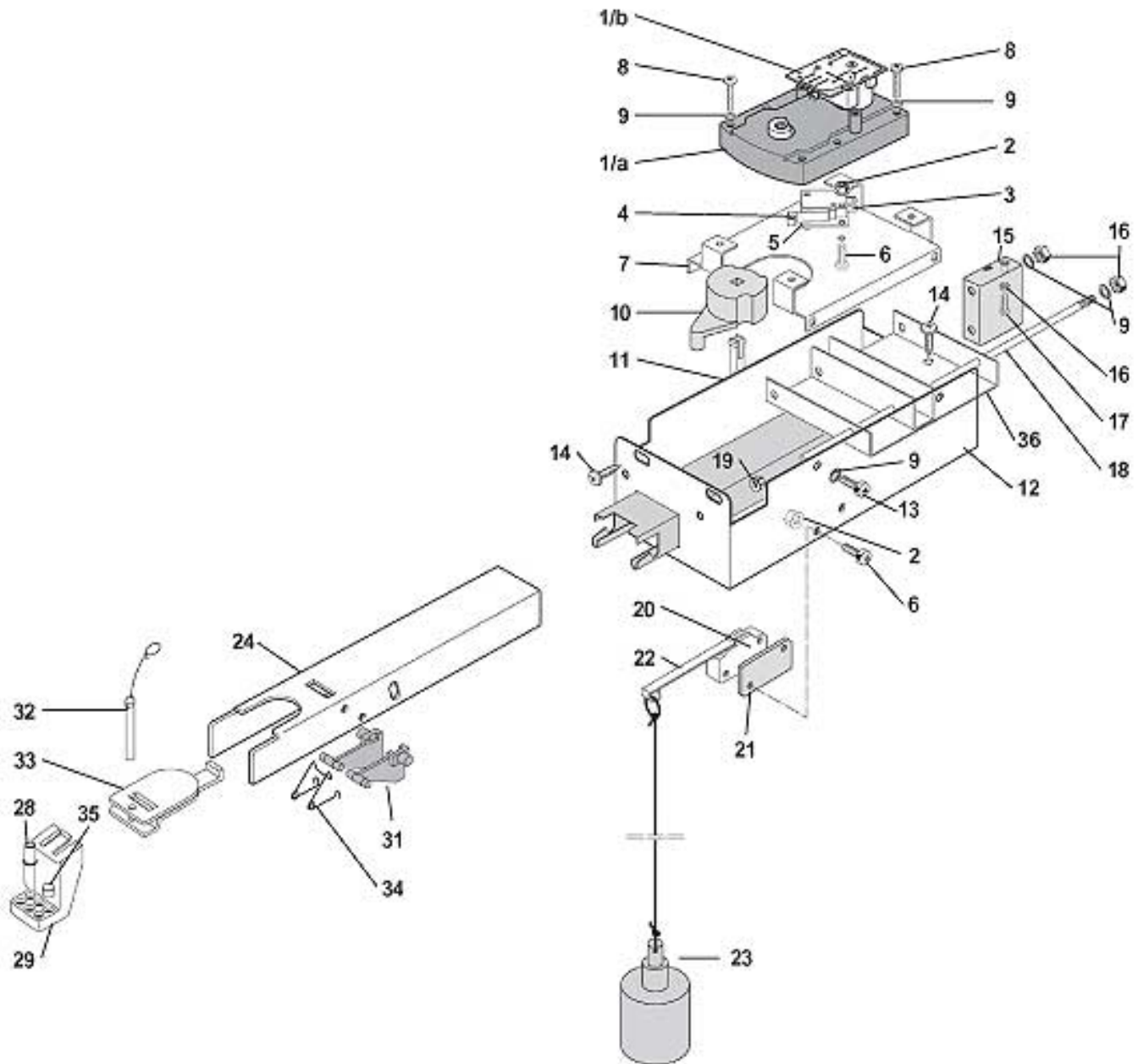
## SAGOMA MIXERS



## SAGOMA MIXERS

Pos.	Code	Description	
1	0080100005	MIXER BASE	
2	0080100015	MIXER BASE BUSH	
3	GUA0000084	GASKET 3131	
4	0090003023	24 V DC MIXER MOTOR SHAFT D.4	
5	0080100024	DRIP TRAP FAN	
6	0080100009	MOTOR CONNECTION COVER	
	0080100009IC	MOTOR CONNECTION COVER ORANGE RAL 2011	
7	0080100101	MIXER GASKET - SHAFT D.4	
8	0080100011	SMALL FAN MIXER SHAFT D.4	
9	VIT0002401	SCREW TCB 3.5 x 9.5	
10	0080100007	MIXER BODY WITH INLET	
11	0080100006	STOPPER RING	
	0080100006IC	STOPPER RING ORANGE RAL 2011	
12	0080100018	MIXER BASE PLUG	
13	0080100013	MIXER CONNECTION	
14	GUA0000085	SILICONE GASKET 106	
15	0080100022	MIXER BODY RING	
16	0080100021	EXHAUST BODY	
17	TSIL07/11T	TRANSPARENT SILICONE PIPE D.7 x 11	
18	TSIL06/09T	TRANSPARENT SILICONE PIPE D.6 x 9	
19	0080027029	REDUCTION FOR CAFFEINE-FREE COFFE	
20	0080100023	MIXER COVER	
	0080100023IC	MIXER COVER ORANGE RAL 2011	
100	0080100001R	MIXER BASE+MOTOR ASSEMBLY	assieme
101	0080100007R	MIXER BODY + RING STOPPER	

## SAGOMA DISTRIBUTION PIPES MOVEMENT

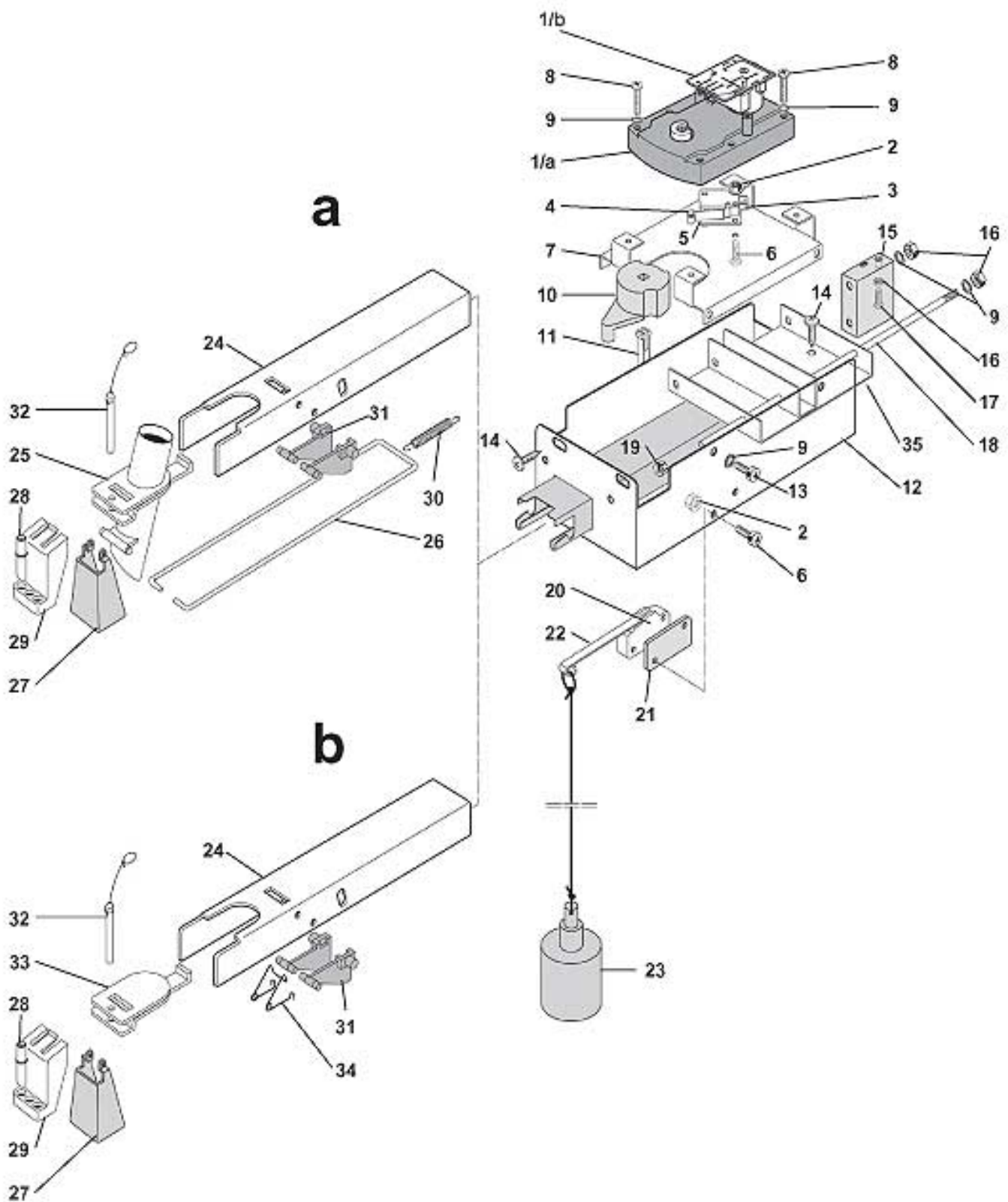




## SAGOMA DISTRIBUTION PIPES MOVEMENT

Pos.	Code	Description
1	0090002110R	24 V DC 24 RPM GEAR MOTOR + BRAKE WITH FILTER FOR OLD ELECTRONIC VERSION
1/a	0090002109	24V D.C. GEAR MOTOR 24 R.P.M. FOR OLD ELECTRONIC VERSION
1/b	SCH0004980	DC MOTORS FILTER FOR OLD ELECTRONIC VERSION
1	0090002115R	24V D.C. GEAR MOTOR 24 R.P.M. FOR NEW ELECTRONIC VERSION
1/a	0090002114	GEAR MOTOR MOD.930 11RPM 24V DC FOR NEW ELECTRONIC VERSION
1/b	SCH0004980	DC MOTORS FILTER FOR NEW ELECTRONIC VERSION
2	VIT0004701	M3 FR NUT
3	ELE0001528	MICRO 83.161.832
4	ELE0001906	161 E R 24.1 MICRO LEVER
5	7500902054	SUPPLEMENTARY INSULATION
6	VIT0000006	M 3x16 TCB SCREW
7	0380010436	GEAR MOTOR SUPPORT
8	VIT0000015	M 4x25 TCB SCREW
9	VIT0003105	WASHER tab D. 6.4
10	0380010508	GEAR MOTOR CAM mm 36
11	0380010421	GEAR MOTOR SHAFT
12	0380010492	FASCIA PIPES MOVEMENT ESTRAIBILE
13	VIT0002009	SCREW T.C.B. 3.5 x 6.5
14	VIT0002401	SCREW TCB 3.5 x 9.5
15		
16	VIT0004503	NUT M 4
17		
18	0380010411	PIPES SUPPORT GUIDE SHAFT
19	0380010534	PIPES SUPPORT GUIDE BUSH
20	ELE0001528	MICRO 83.161.832
21	4600010014	MICRO SPACER
22	NL201106265	MICRO LEVER
23	0070020038CL	FLOATER ASSEMBLY
24	0380010542	PRODUCT PIPES SUPPORT
25		
26		
27		
28	0380010657NA	DISPENSER PIPE (BLACK)
29/a	0380010491	PRODUCT PIPES SUPPORT / 3
29/b	0380010655NA/L	PRODUCT PIPES SUPPORT WITH HOLE
30		
31	0380010599	KEY PIPES MOVEMENT
32	0380010429CL	SECURING PIN ASSEMBLY
33	0380010459NA/L	PIPES SUPPORT PLATE
34	0380010629	KEY PIPES MOVEMENT
35	0380010656NA	PLUG (BLACK)
36	0380010531	PIPES SUPPORT GUIDE
37	0380010623	PIPES SUPPORT GUIDE
38	0380010632NA	PIPES MOVEMENT PROTECTION
100	0380010454CL	PIPES MOVEMENT ESTRAIBILE SAGOMA H <span style="float: right;">assieme</span>
101	0380010456CL	PIPES MOVEMENT SAGOMA LUCE H NEW ELECTRONIC WITH RELEASE

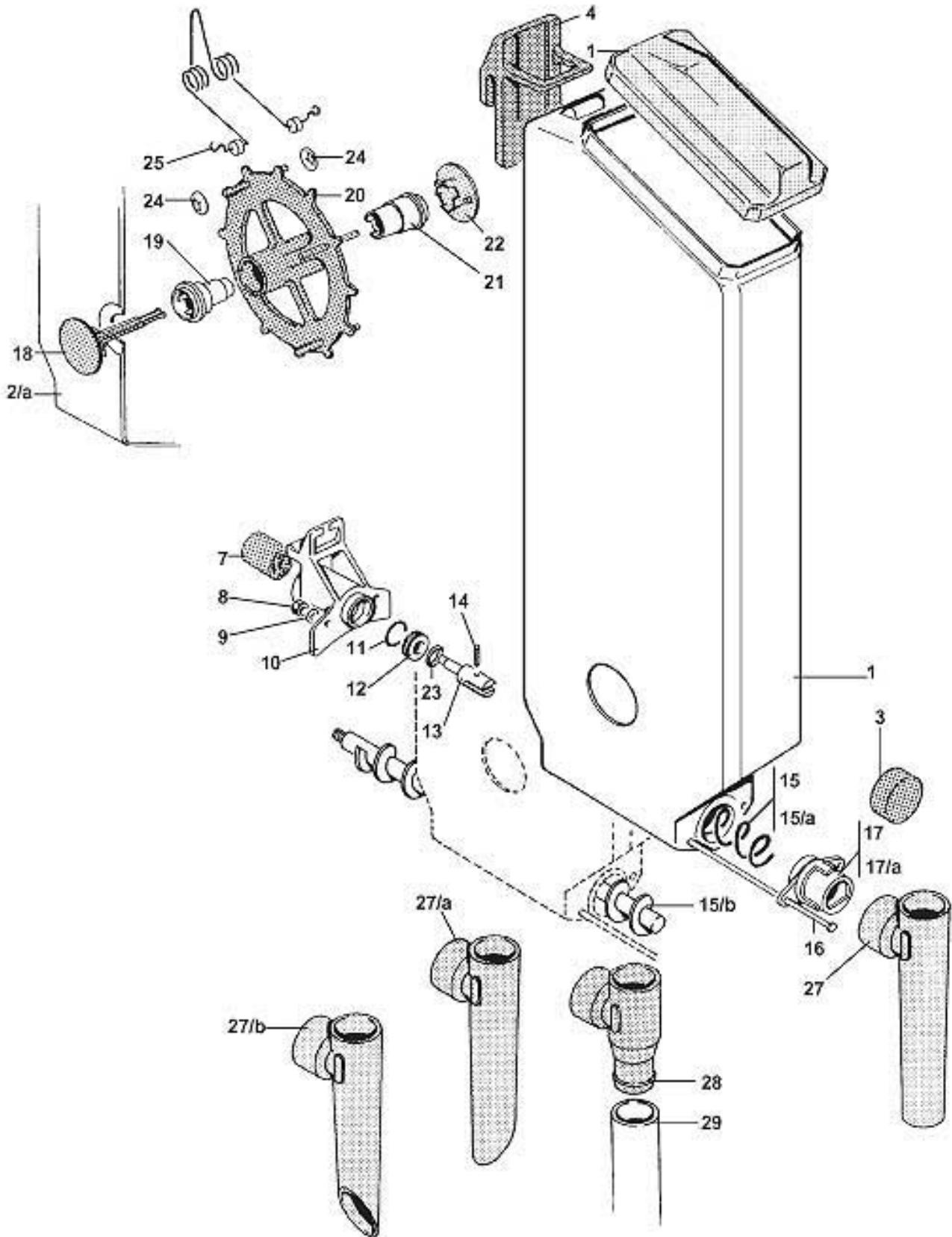
## SAGOMA DISTRIBUTION PIPES MOVEMENT



## SAGOMA DISTRIBUTION PIPES MOVEMENT

Pos.	Code	Description	
1	0090002110R	24 V DC 24 RPM GEAR MOTOR + BRAKE WITH FILTER FOR OLD ELECTRONIC VERSION	
1/a	0090002109	24V D.C. GEAR MOTOR 24 R.P.M. FOR OLD ELECTRONIC VERSION	
1/b	SCH0004980	DC MOTORS FILTER FOR OLD ELECTRONIC VERSION	
1	0090002115R	24V D.C. GEAR MOTOR 24 R.P.M. FOR NEW ELECTRONIC VERSION	
1/a	0090002114	GEAR MOTOR MOD.930 11RPM 24V DC FOR NEW ELECTRONIC VERSION	
1/b	SCH0004980	DC MOTORS FILTER FOR NEW ELECTRONIC VERSION	
2	VIT0004701	M3 FR NUT	
3	ELE0001528	MICRO 83.161.832	
4	ELE0001906	161 E R 24.1 MICRO LEVER	
5	7500902054	SUPPLEMENTARY INSULATION	
6	VIT0000006	M 3x16 TCB SCREW	
7	0380010436	GEAR MOTOR SUPPORT	
8	VIT0000015	M 4x25 TCB SCREW	
9	VIT0003003	WASHER D.8 x 4.3 x 0.8	
10	0380010508	GEAR MOTOR CAM mm 36	
11	0380010421	GEAR MOTOR SHAFT	
12	0380010492	FASCIA PIPES MOVEMENT ESTRAIBILE	
13	VIT0002009	SCREW T.C.B. 3.5 x 6.5	
14	VIT0002401	SCREW TCB 3.5 x 9.5	
15			
16	VIT0004503	NUT M 4	
17			
18	0380010411	PIPES SUPPORT GUIDE SHAFT	
19	0380010534	PIPES SUPPORT GUIDE BUSH	
20	ELE0001528	MICRO 83.161.832	
21	4600010014	MICRO SPACER	
22	NL201106265	MICRO LEVER	
23	0070020038CL	FLOATER ASSEMBLY	
24	0380010542	PRODUCT PIPES SUPPORT	
25	0380011229	SUGAR CHUTE	
26	0380010433	WALL OPENING CONNECTION	
27	0380010424	MOBILE WALL	
	0380010424NA	MOBILE WALL FOR NEW ELECTRONIC VERSION BLACK	
28	0380010657NA	DISPENSER PIPE (BLACK)	
29/a	0380010491	PRODUCT PIPES SUPPORT / 3	
29/b	0380010655NA/L	PRODUCT PIPES SUPPORT WITH HOLE	
30	0380010431	MOBILE WALL SPRING	
31	0380010599	KEY PIPES MOVEMENT	
32	0380010429CL	SECURING PIN ASSEMBLY	
33	0380010459NA/L	PIPES SUPPORT PLATE	
34	0380010629	KEY PIPES MOVEMENT	
35	0380010531	PIPES SUPPORT GUIDE	
36	0380010632NA	PIPES MOVEMENT PROTECTION	
37	0380010623	PIPES SUPPORT GUIDE	
38	0380010632NA	PIPES MOVEMENT PROTECTION	
100	0380010436CL	PIPE MOVEMENT SAGOMA E	assieme
101	0380010438CL	PIPE MOVEMENT SAGOMA FOR OLD ELECTRONIC VERSION	assieme

## SAGOMA PRODUCTS CONTAINER

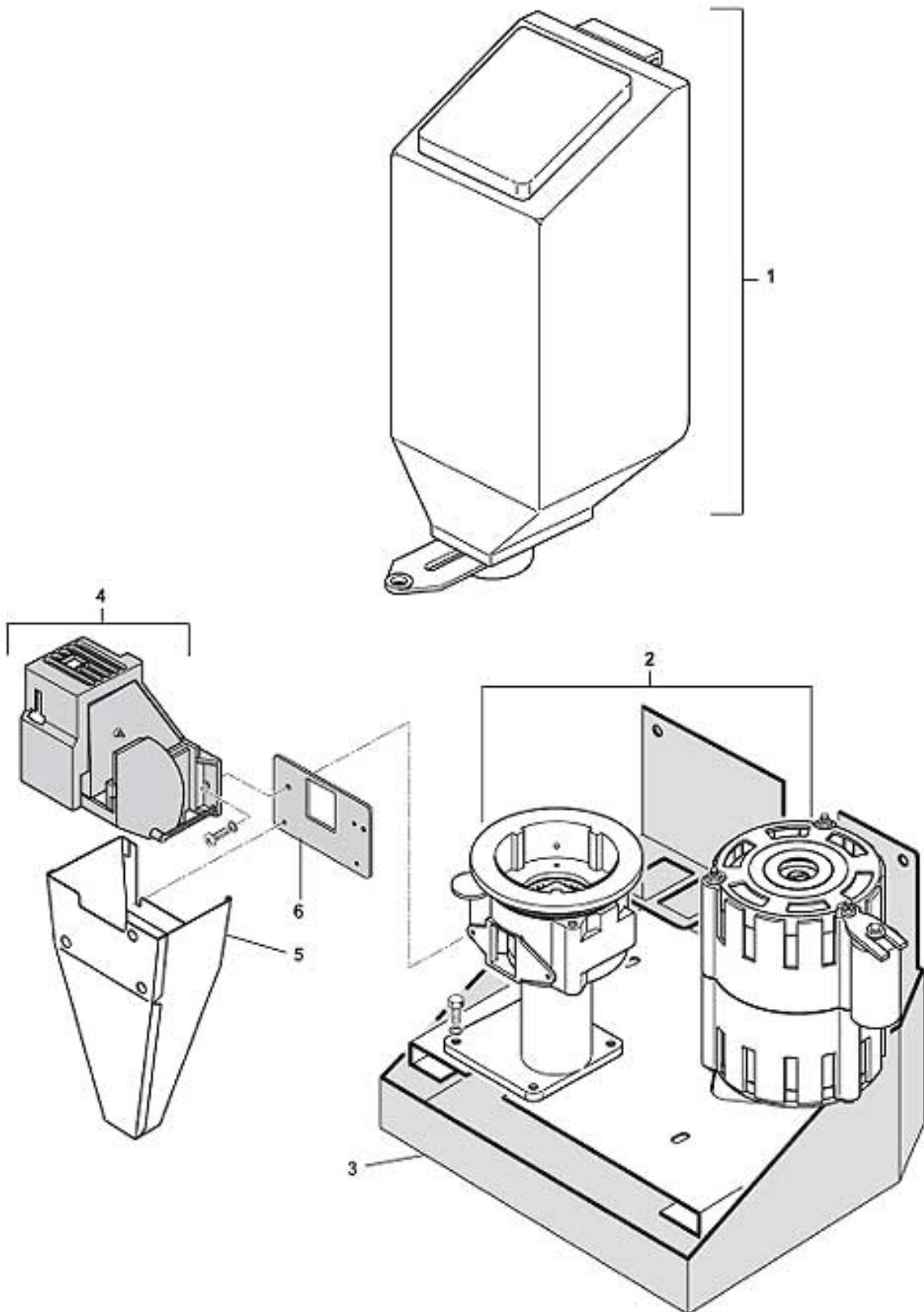


## SAGOMA PRODUCTS CONTAINER

Pos.	Code	Description	
1/a	70003001AR	PRD. CON. W/HOLES+COVER	
1/b	70003001BR	PRD. CON. W/O HOLES+COVER	
3	4002050109AD	PRODUCT CHUTE PLUG	
4	70003003	UPPER HOOKING PLATE	
7	0230012012	DRIVING RING GEAR SQUARE SEAT	
8	VIT0004803	STAINLESS STEEL NUT M4	
9	VIT0003202	STAINLESS STEEL FLAT WASHER D.4,3 x 9 x 0,8	
10	70003006	REAR SUPPORTING BUSH	
11	GUA0000015	GASKET 119	
13	0230012006	WORM SCREW WITH FLANGE	
14	VIT0005301	ELASTIC PIN D.2 x 14	
15/a	70003016	P.18 WORM SCREW SPRING	
15/b	0230024009	WORM SCREW SPRING P.9	
16	70003010	BUSH TIE-BOLT	
17/a	70003008	FRONT BUSH	
17/b	70003007	FRONT BUSH	
17/c	0230012025	FRONT BUSH WITH TRANSITION REDUCED	
18	70003028	STOP PIN	
19	70003027	MIXER MALE BUSH	
20	70003012	PLASTIC MIXER GEAR	
21	70003026	MIXER FEMALE BUSH	
22	70003029	STOP DISK	
24	VIT0007102	BENZING-QUICKLOCK	
25	11837	MIXER	
27	4001003072/20	STRAIGHT PRODUCT CHUTE mm 125	
27/a	4001003072/22	L.H. PRODUCT CHUTE mm 155	
27/b	4001003072/21	R.H. PRODUCT CHUTE mm 155	
28	0230016024	SUGAR FEEDER	
29	TSIL14/20T	D.10x14 NATURAL TRANSPARENT SILICONE PIPE	
100	0230016006R	WORM SCREW P.9 PRODUCT CONTAIN	
101	0230017007R	PRODUCT CONTAINER PLATIC WHEEL P.9 ASS.	
102	0230017008R	PRODUCT CONTAINER PLATIC WHEEL P.18 ASSEM.	
103	0230018009R	ROBO MIXER PRODUCT CONTAINER P.18 ASSEM.	
104	0230015100CL	GROUND COFFEE DOUBLE FILTER PR	assieme
105	0230019006R	TEA PRODUCT CONTAINER PLATIC WHEEL P.18 ASSEM.	assieme
106	0230019005R	TEA PRODUCT CONTAINER PLATIC WHEEL P.9 ASSEM.	

## SAGOMA CONTAINER BATCHER GRINDER GROUP

---

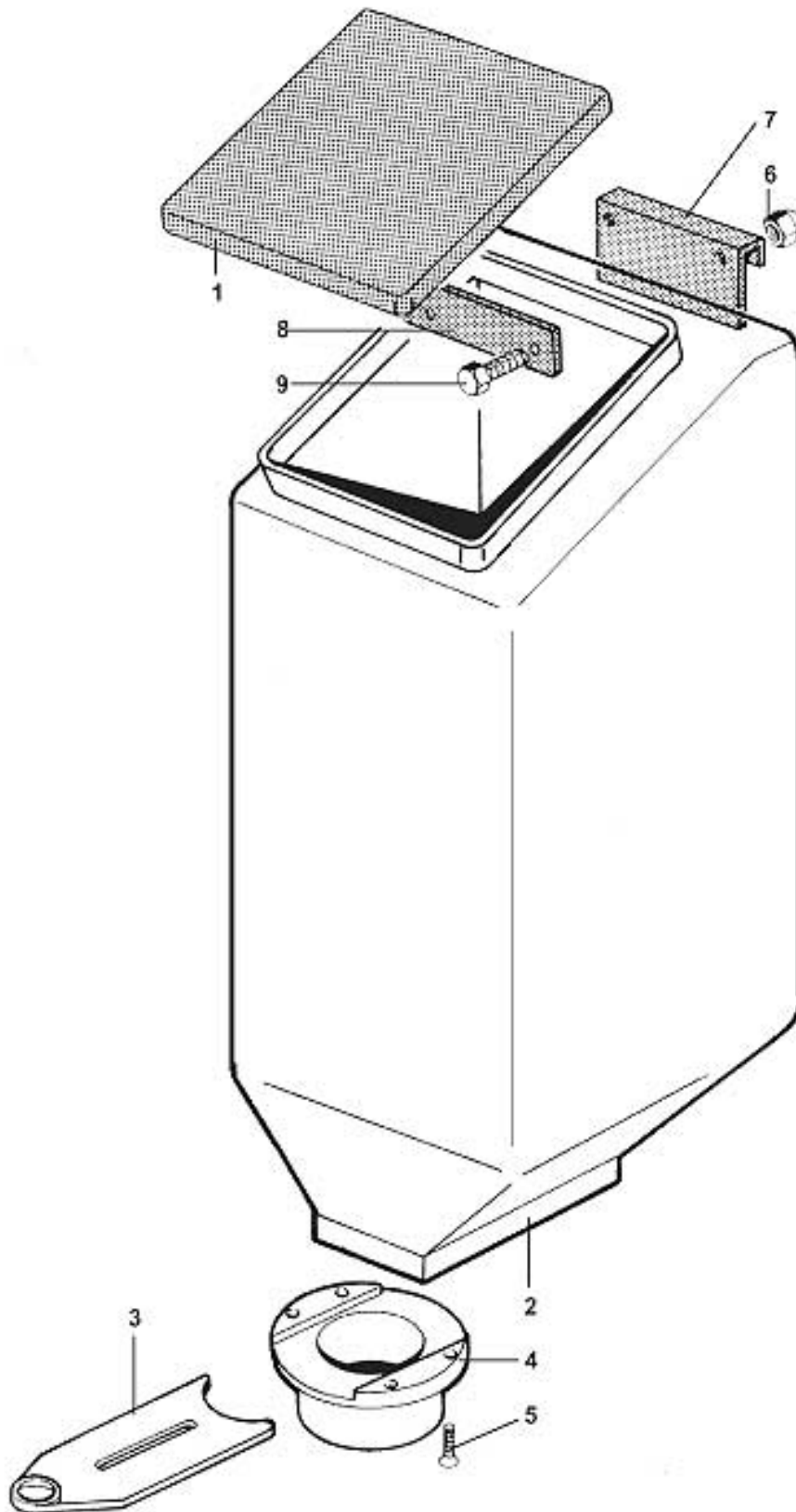


## SAGOMA CONTAINER BATCHER GRINDER GROUP

Pos.	Code	Description	
1		See table COFFEE BEANS CONTAINER	
2		See table GRINDER- BATCHER + ENGINE	
3	0320004073	GROUP HOUSING	
4	0350003110CL	24 V DC COFFEE PLASTIC BATCHER W/SETTING	assieme
5	0320004087	COFFEE POWDERS CHUTE	
6	0320004083	PLATE	

## SAGOMA COFFEE BEANS CONTAINER

---



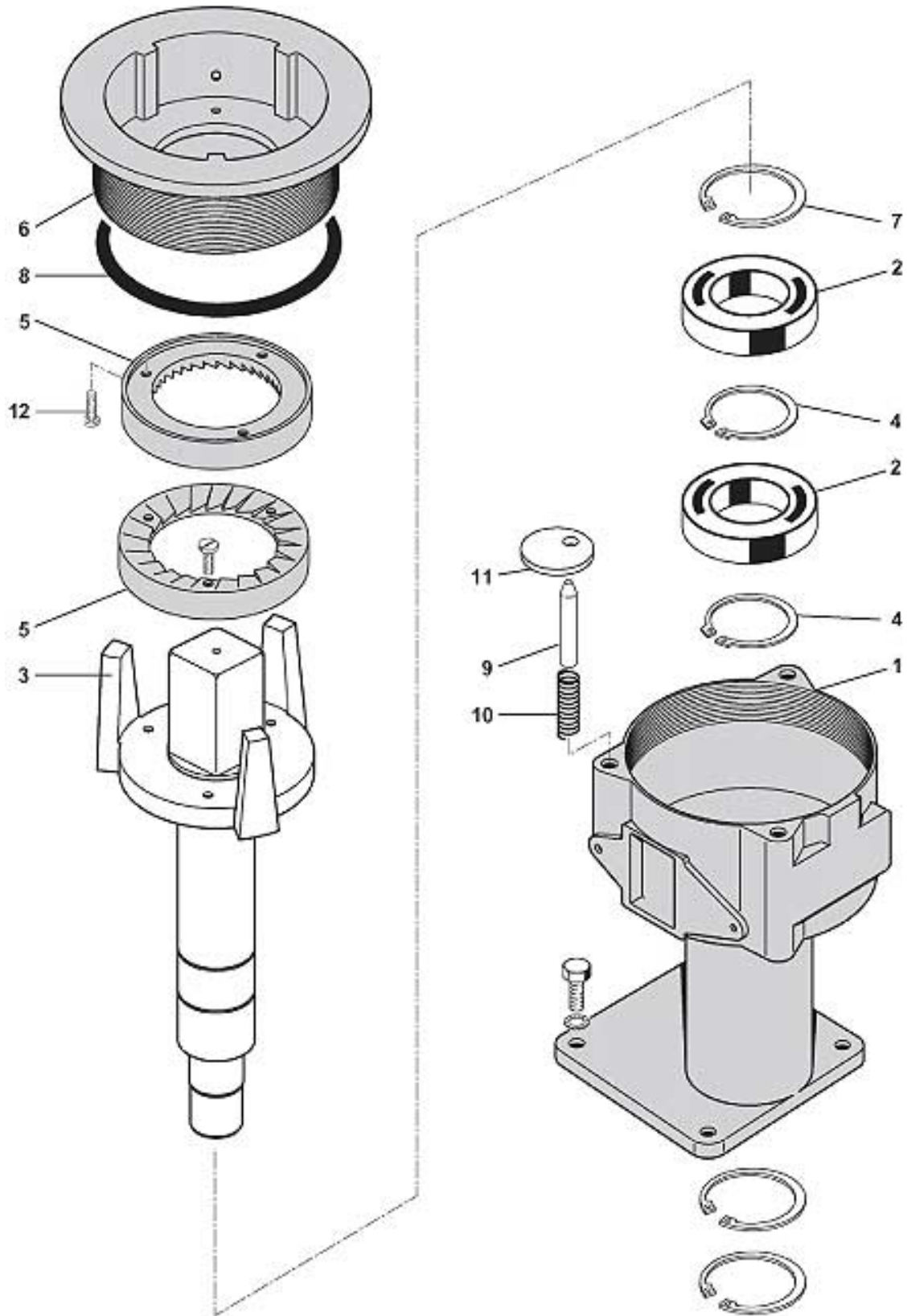


## SAGOMA COFFEE BEANS CONTAINER

Pos.	Code	Description	
1	0230015057	COFFEE LITTLE CONTAINER COVER	
2	0230015082	COFFEE CONTAINER	
3	4001002077	COFFEE CONTAINER BLADE	
	4001002077NA	COFFEE CONTAINER BLADE BLACK	
4/a	0230015066	COFFEE CONTAINER BOTTOM	
	0230015066NA	COFFEE CONTAINER BOTTOM BLACK	
4/b	4600002076	COFFEE CONTAINER BOTTOM	
	4600002076NA	COFFEE CONTAINER BOTTOM BLACK	
5	VIT0002101	3.9x 13 TAPPING TCB SCREW	
6	VIT0004815	M 4 SELFLOCKING NUT	
7	0230015081	HOOKING SQUARE	
8	0230015037	STIFFENING	
9	VIT0000234	M 4x12 STAINLESS STEEL H.H. SCREW	
100	0230015080R	COFFEE BEANS CONTAINER GROUP	assieme

SAGOMA

GRUPPO MACININO VERTICALE SENZA PULEGGIA



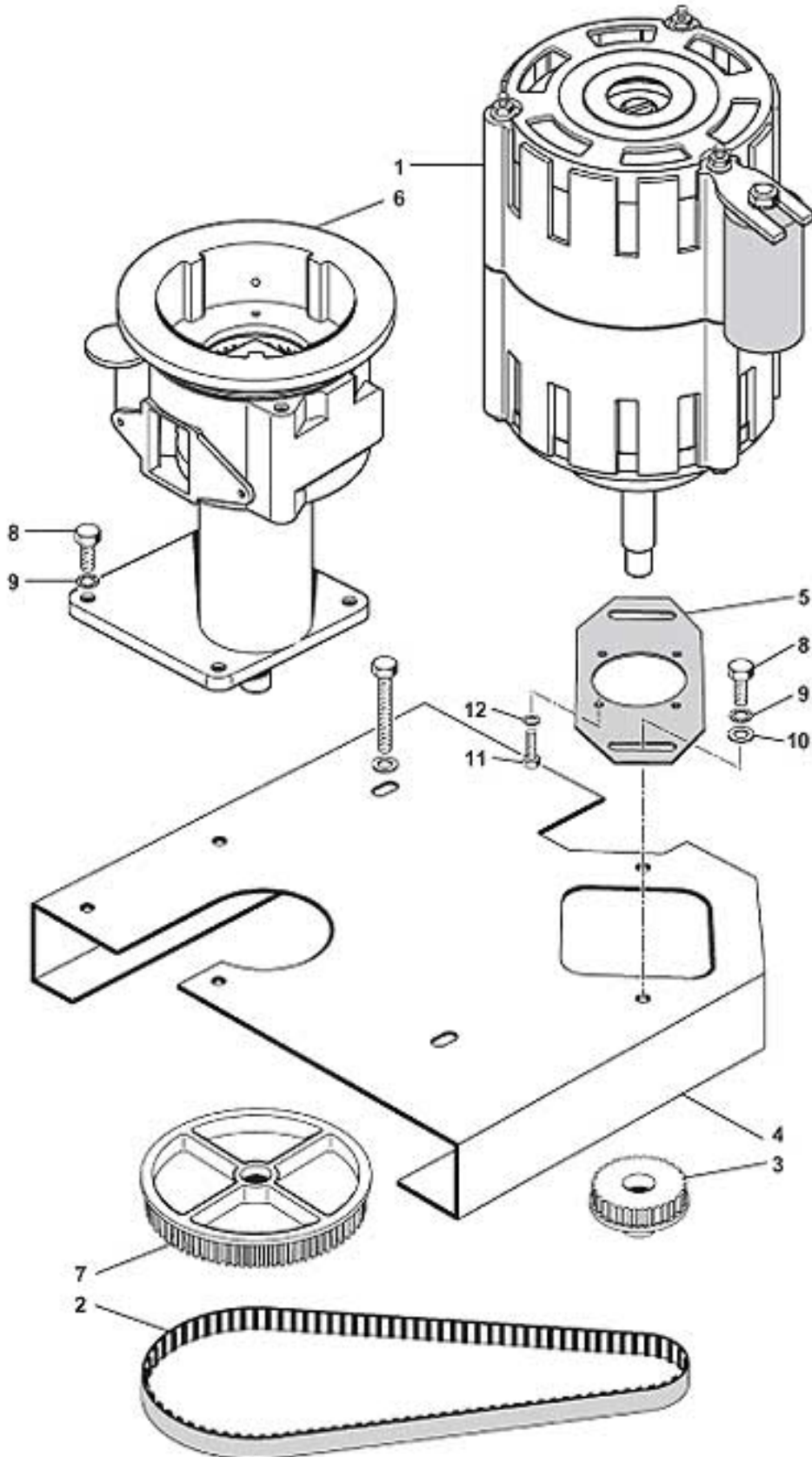
## SAGOMA

### GRUPPO MACININO VERTICALE SENZA PULEGGIA

Pos.	Code	Description
1	0320004006	GRINDER BODY
2	VIT0009301	ZKL BEARING
3	0320004015	LOWR GRINDER SUPPORT
4	VIT0006651	D.17 RADIAL STOP RING FOR SHAFT
5	0090003015	GRINDER COUPLE 1695
6	0320002004	UPPER GRINDER SUPPORT
7	VIT0006602	D.35 RADIAL STOP RING FOR HOLE
8	GUA0000090	OR 3268
9	0320002011	COMPENSATING PIN
10	270001023	SPRING
11	0320002010	PLATE
12	VIT0000024	M 4x8 TCB SCREW
100	0320004020CL	GRINDER GROUP

## SAGOMA GRINDER- BATCHER + ENGINE

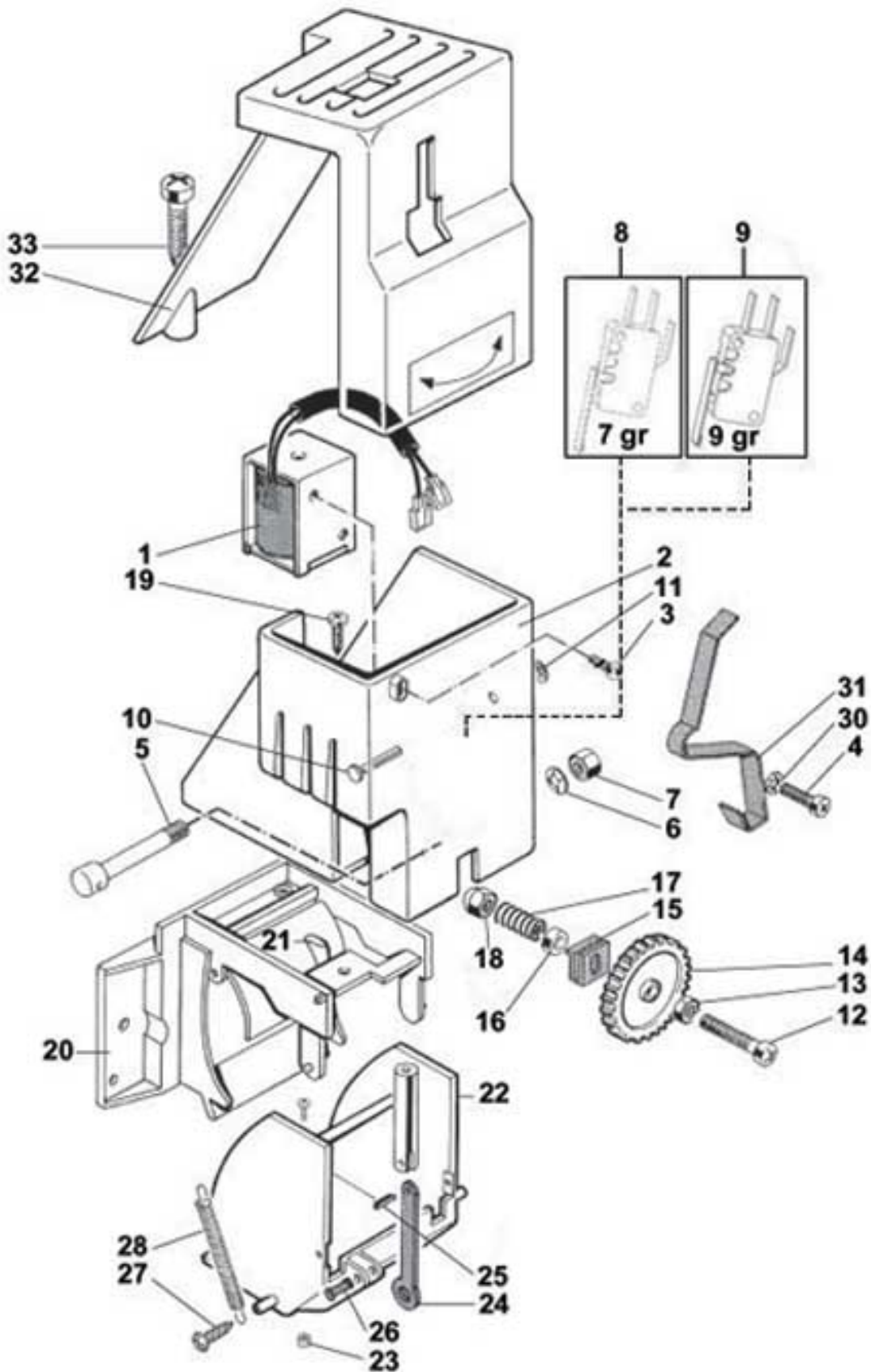
---



## SAGOMA GRINDER- BATCHER + ENGINE

Pos.	Code	Description
1	0090003016	MOTOR + CONDENSER
2	0090006003	BELT
3	0320004055	ENGINE PULLEY
4	0320004075	MILL MOTOR SUPPORT
5	0320004076	SETTING PLATE
6	0320004020CL	GRINDER GROUP
7	0320004022	GRINDER PULLEY
8	VIT0000213	M 6*12 H.H. SCREW
9	VIT0003105	WASHER tab D. 6.4
10	VIT0003005	6.4x12.5x1.6 FLAT WASHER
11	VIT0000205	SCREW TE M4x10
12	VIT0003103	WASHER tab D. 4.3
100	0320004070CL	COFFEE BEANS CONTAINER GROUP ASSEMBLY + MOTOR

## SAGOMA PL BATCHER WITH 24 V AC SETTING



# SAGOMA

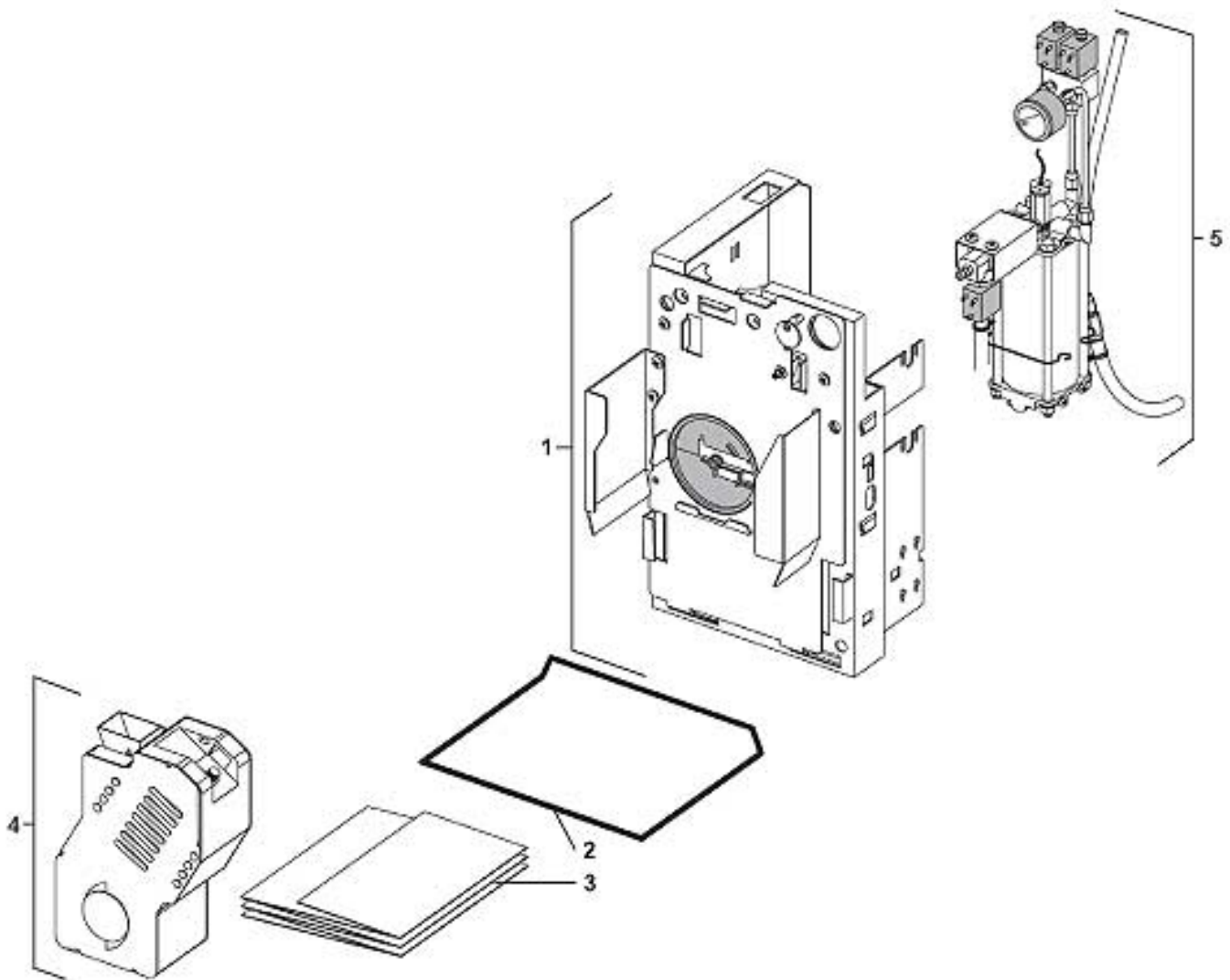
## PL BATCHER WITH 24 V AC SETTING

Pos.	Code	Description	
1	ELE0000056R	ELECTROMAGNET W/CONNECTION 24V DC	
2	0350003136	ELECTROMAGNET SUPPORT	
	0350003136NA	ELECTROMAGNET SUPPORT BLACK	
3	VIT0000028	M 3x14 TCB SCREW	
4	VIT0000005	M 3x12 TCB SCREW	
5	0350003114	SETTING PIN	
6	VIT0009161	D.3.2 x 8 x 0.4 SPRING	
7	VIT0004814	M.3 SELFLOCKING NUT	
8	0350003112R	MICRO WITH FRONT POSITION LEVER 7 GR	
9	0350003312R	MICRO WITH CENTRAL POSITION LEVER 9 GR	
10	0350003112	ROTATION PIN	
11	VIT0007101	D.3 BENZING-QUICKLOCK	
12	VIT0000009	M 3x30 TCB SCREW	
13	VIT0004502	M3 NUT	
14	0350003113	WEIGHT SETTING WHEEL	
	0350003113NA	WEIGHT SETTING WHEEL BLACK	
15	0350003122	CONNECTION TO BE TIGHTENED	
16	7500102053	MICRO SPACER	
17	0350003115	SETTING SPRING	
18	VIT0004813	M.3 CAP NUT	
19	VIT0002011	2.9x 9.5 TAPPING TCB SCREW	
20	0350003105	BATCHER BODY	
	0350003105NA	BATCHER BODY BLACK	
21/a	0350003106	BLADE Up to serial 04539999	
21/b	0350003314	BLADE From serial 05010001	
	0350003314NA	BLADE From serial 05010001 BLACK	
22	0350003301	COFFEE FEEDER	
	0350003301NA	COFFEE FEEDER BLACK	
23	0350003302	SHAKER	
24	0350003126	ELECTROMAGNET CONNECTING ROD	
	0350003126NA	ELECTROMAGNET CONNECTING ROD BLACK	
25	VIT0005105	2 x 8 STAINLESS STEEL ELASTIC PIN	
26	0350003111	PIN	
	0350003111NA	PIN BLACK	
27	VIT0002001	TCB 2.9x 6.5 TAPPING SCREW	
28	0350003129	RETURN SPRING	
29			
30	VIT0003102	WASHER tab D. 3.2	
31	0350003124	BATCHER LOCK	
32	0350003128	COVER	
33	VIT0002469	SCREW TC 3.5 x 10	
100	0350003110CL	24 V DC COFFEE PLASTIC BATCHER W/SETTING	assieme
101	0350003310CL	24 V DC COFFEE PLASTIC BATCHER 9gr	

SAGOMA

BOILER - MICRO COFFEE GROUP HOUSING

---



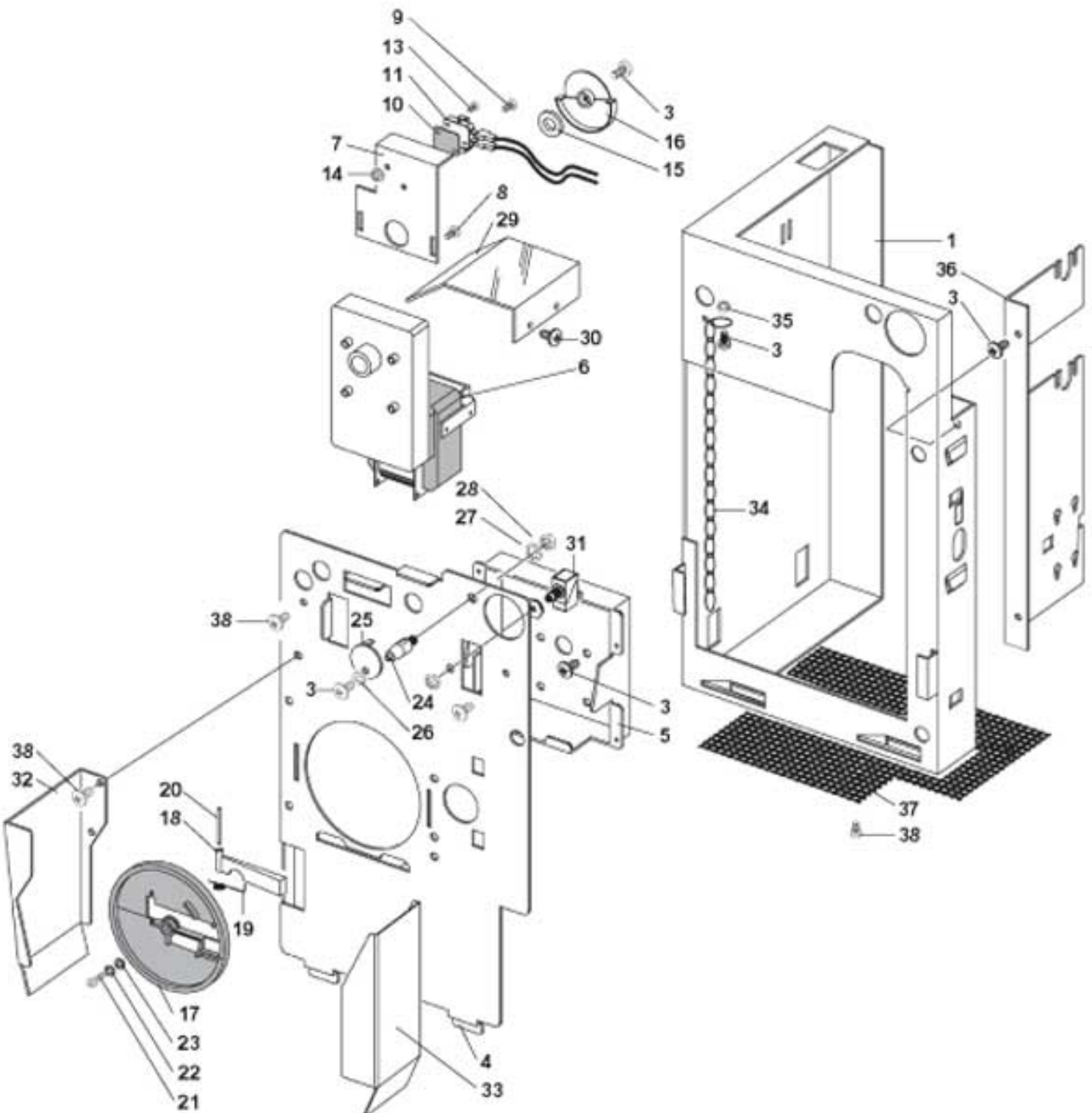


## SAGOMA

### BOILER - MICRO COFFEE GROUP HOUSING

Pos.	Code	Description
1		See table MICRO COFFEE GROUP HOUSING
2	0260005157	SAGOMA GROUND BAG SUPPORT
3	IMB0000054	POLY. GREY BAG mm 400x1000x5/100
4		See table MICRO COFFEE GROUP
5		See table MM 150 MICRO GROUP BOILER
6		See table MM 195 MICRO GROUP BOILER

## SAGOMA MICRO COFFEE GROUP HOUSING

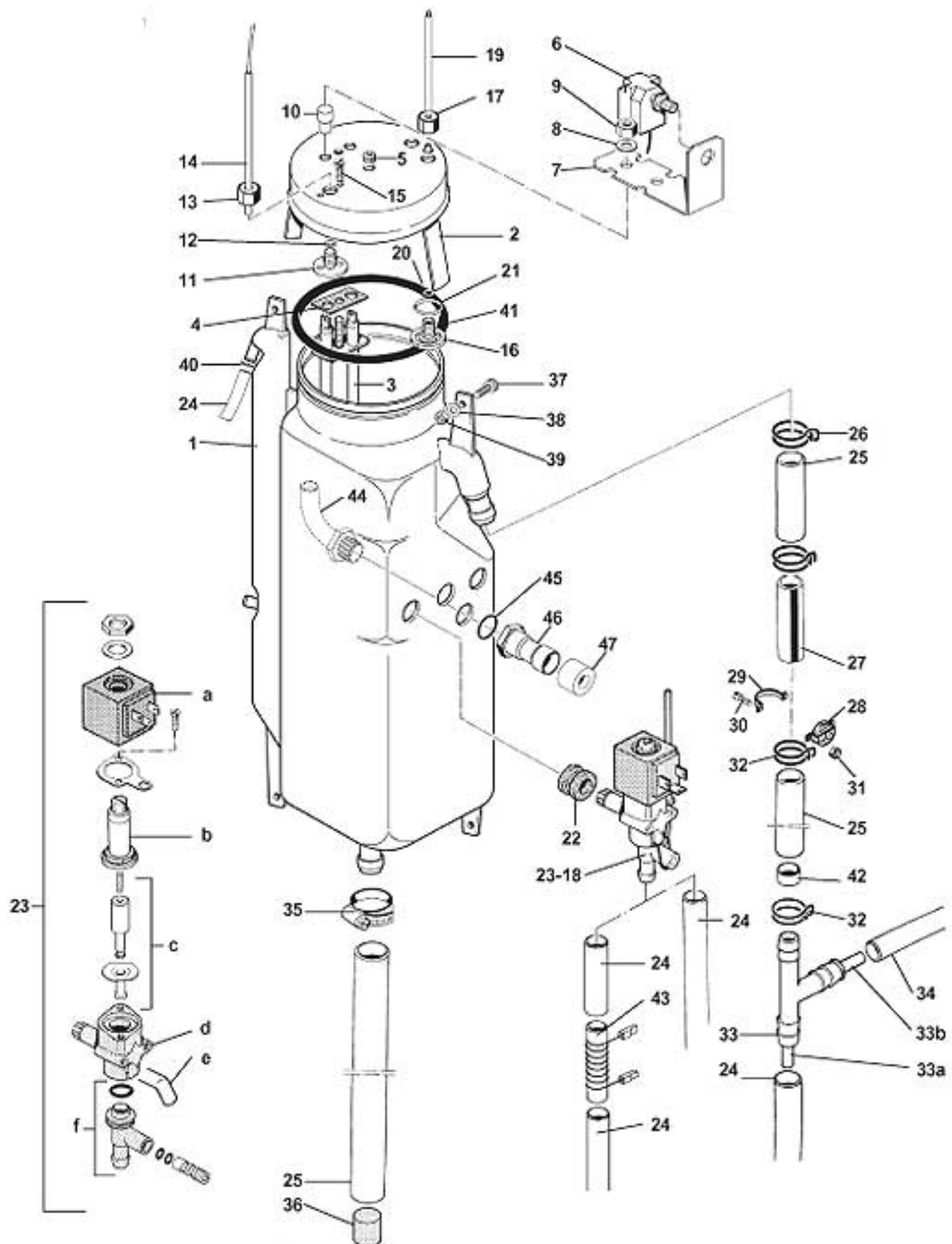


# SAGOMA

## MICRO COFFEE GROUP HOUSING

Pos.	Code	Description
1	0260010231	HOUSING STRUCTURE
	0260010231CK	HOUSING STRUCTURE DUST GREY RAL 7037
2	0260005156	MILL SECURING CLIP
3	VIT0000030	SCREW TCB M4 x 7
4	0260010217	G.M.S. SUPPORT FRONT
5	0260010102	MICRO GROUP MOTOR SUPPORT
	0260010102CK	MICRO GROUP MOTOR SUPPORT DUST GREY RAL 7037
	0260010102KE	MICRO GROUP MOTOR SUPPORT FIRE RED RAL 3000
6	0090002186	MICRO GROUP MOTOR
7	0250008093	MICRO PLATE
8	0250008092	M4 SPECIAL SCREW
9	VIT0005521	4x25 TCEI SCREW
10	4600010014	MICRO SPACER
11	ELE0001529	MICRO WITH LEVER
13	VIT0000006	M 3x16 TCB SCREW
14	VIT0004701	M3 FR NUT
15	0250008091	MICRO SPACER
16	0250008043	GROUP READER DISK
17	0250008012	MOTOR CRANK
18	0250008034	HOOKING LEVER
19	0250008059	SPRING FOR HOOKING LEVER
20	VIT0005205	4 x 40 CYLINDRICAL PIN
21	VIT0005508	4x12 TCEI SCREW
22	VIT0003103	WASHER tab D. 4.3
23	VIT0003003	WASHER D.8 x 4.3 x 0.8
24	0260010103	MICRO GROUP HOOKING BLOCK
25	0010020132	GROUP CONNECTING PLATE
26	VIT0003301	WASHER D.12 x 4.3 x 1.5
27	VIT0003105	WASHER tab D. 6.4
28	VIT0004505	NUT M6
29	0260005161	SAGOMA PLASTIC GROUP GEAR MOTOR PROTECTION
30	VIT0002011	2.9x 9.5 TAPPING TCB SCREW
31	ELE0001506	MICROSWITCH 83.131.8-IW3M
32	0260010207	COFFEE POWDERS CHUTE
	0260010207CK	COFFEE POWDERS CHUTE DUST GREY RAL 7037
33	0260010112	GROUPS FEEDER
34	VIT0010102	D. 1.6 CHAIN
35	VIT0004503	NUT M 4
36	0260010218	G.M.S. BOILER SUPPORT
37	0260010229	G.M.S. HOUSING LOWER PROTECTION
38	VIT0002401	SCREW TCB 3.5 x 9.5
39	0260010243	DISCHARGED PIPES CAM
100	KIT0090002186	MICRO COFFEE BEANS GROUP MODIFICATION KIT

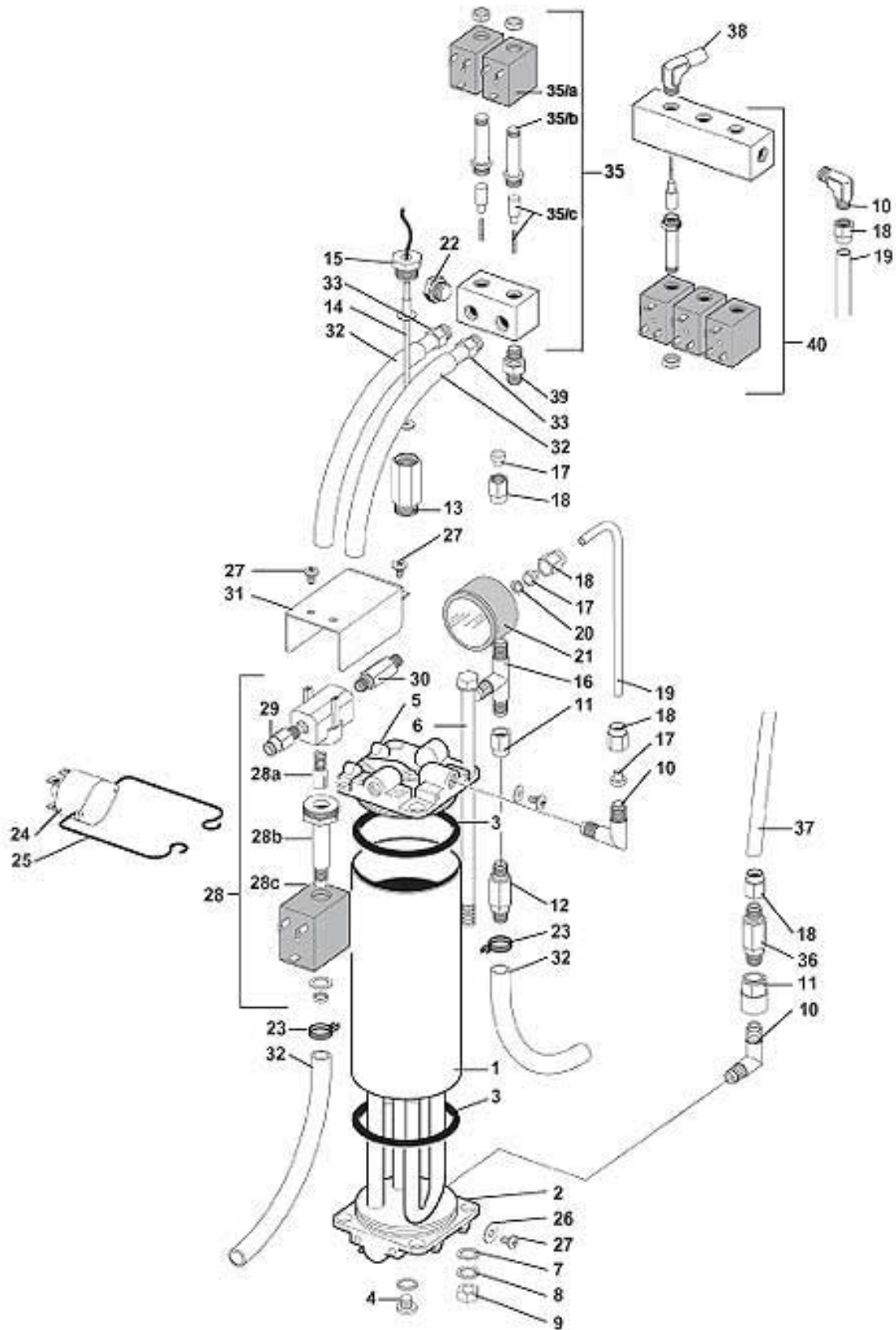
## SAGOMA BOILER



## SAGOMA BOILER

Pos.	Code	Description	
1	0600012619	It's part of kit 0600012619R	
2	0600012621	H2O CONTAINER COVER W/SPRING	
3	0600012622	1650W 230 V HEATING ELEMENT	
4	0600012624	HEATING ELEMENT GASKET	
5	GUA0010551	20/65/15 ANTIVIBRATION	
6	ELE0000907	SAFETY SWITCH WITH MANUAL RESET	
7	0600012312	SAFETY SWITCH SUPPORT	
8	VIT0003203	STAINLESS STEEL FLAT WASHER D.5.3 x 10 x 1	
9	VIT0004804	STAINLESS STEEL NUT M5	
10	0600012626	PROBE GUIDE	
11	NL202101016	SOLUBLES PROBE SUPPORT	
12	GUA0000069	2015 OR	
13	0600011107	SOLUBLES PROBE NUT	
14	ELE0000958R1	EURIPA II SOLUBLES PROBE	
15	VIT0001105	M 3x8 STAINLESS STEEL H.H. SCREW	
16	0600015223	BRASS LEVEL PROBE SUPPORT	*
17	0600015208	LEVEL PROBE SUPPORT NUT	
18	0110001081	24 V DC 2-WAY VALVE -ERA	
19/a	0600015224	mm 130 COATED LEVEL PROBE	*
19/b	0600015225	mm 112 COATED LEVEL PROBE	*
20	GUA0000069	2015 OR	
21	GUA0000062	2056 OR	
22	0600012315	VALVE GASKET	
23	0110001095	24DC 70% 2-WAY SOLENOID VALVE O. Up to serial 04219999	
23/a	0110010127	CORE W/SPRING FOR VALVE 70% Up to serial 04219999	
23	0110001108	24 DCVALVE 2-WAY 70% O From serial 04220001	
23/a	0110010132	GASKET FOR EV 0110001108 From serial 04220001	
23/b	0110010133	CORE FOR EV. 0110001108 From serial 04220001	
24	TSIL07/11T	TRANSPARENT SILICONE PIPE D.7 x 11	
25	TSIL14/20T	D.10x14 NATURAL TRANSPARENT SILICONE PIPE	
26	FASC000106	D.20 PIPES CLIP	
27	0600012316	THEMOSTAT-HOLDER PIPE	
28	ELE0000908	SAFETY SWICTH 65°C WITH MANUAL RESET	
29	ELE0000914	SAFETY SWITCH CONNECTION	
30	VIT0000004	M 3x10 TCB SCREW	
31	VIT0004502	M3 NUT	
32	FASC000104	D-16 PIPES CLIP	
33	0100003007	TEE UNION	
33/a	0600012324	WATER DISCHARGE PIPE REDUCTION	
33/b	0600012325	WATER INLET PIPE REDUCTION	
34	TSIL04/06T	D.4x6 NATURAL TRANSPARENT SILICONE PIPE	
35	FASC000006	HOSE SCREW CLAMP	
36	NL201106295	BOILER DISCHARGE PLUG	
37	NL202100059	BOILER SUPPORTING PIN	
38	VIT0003302	5.5x12x1.5 FLAT WASHER	
39	VIT0004504	M 4 NUT	
40	FASC000102	D.12 PIPES CLIP	
41	GUA0000063	SILICONE 4412 OR	
42	TSIL10/14T	TRANSPARENT SILICONE PIPE D.10 x 14	
43	0810004027	PIPE WITH HEATING ELEMENT FOR INSTANT COFFEE	
44	0600012627CL	STRAIGHT CONNECTION	
45	GUA0000016	GASKET 121	
46	0600012628	STRAIGHT CONNECTION ESTERNO SOLENOID VALVE	
47	GUA0002006	GASKET 4979	
100	0600012720CL	SAGOMA H ASS.4EV ERA BOILER	assieme
101	0600012721CL	SAGOMA H ASS 4EV ODE BOILER	assieme
102	0600012725CL	SAGOMA H ASS 3EV ERA BOILER	assieme
103	0600012726CL	SAGOMA H ASS 3EV ODE BOILER	assieme

## SAGOMA MM 150 MICRO GROUP BOILER

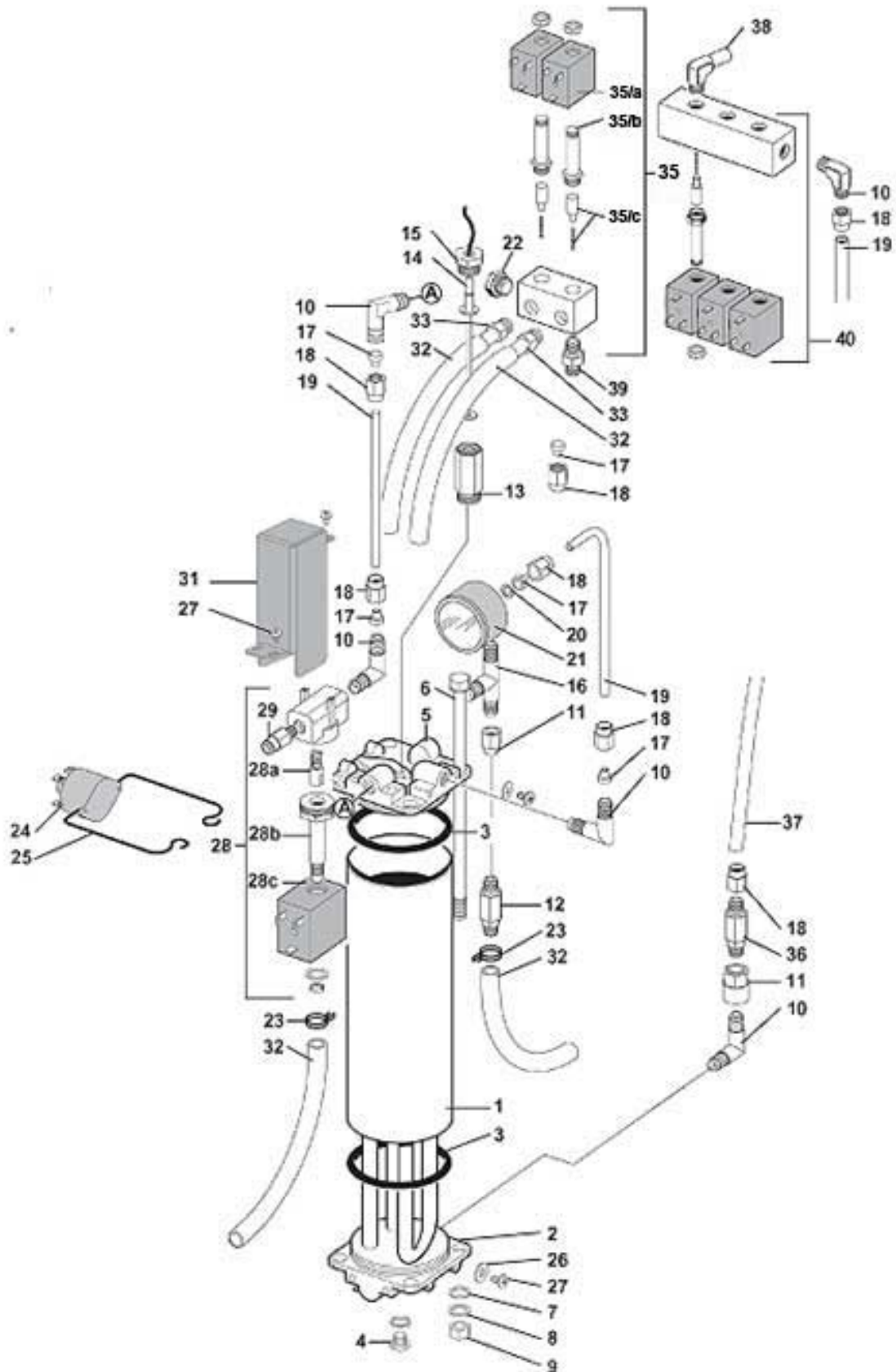


## SAGOMA MM 150 MICRO GROUP BOILER

Pos.	Code	Description
1	0600012514	JACKET MM 150
2	0600012512	FLANGE WITH 1100W 230 V HEATING ELEMENT
3	GUA0000047	164 VITON OR
4	0100001064	174 M PLUG + OR
5	0600012532	FLANGE WITH PIPE
6	0600012515	TIE-BOLT MM 177
7	VIT0003206	D. 8.4x16x1.6 WASHER
8	VIT0003402	D. 8.4 GROWER SPRING WASHER
9	VIT0004506	M 8 NUT
10	0100001019	L FITTING D.6-1/8M CON.
11	0100001007	STRAIGHT CONNECTION 1/8F -1/8 FEMALE
12	0110002003	1/8M INLET - 1/8M OUTLET NON-RETURN VALVE
13	0100003012	SAGOMA PROBE CONNECTION
14	ELE0000970	mm 500 BULB PROBE
15	0600015507	PROBE PLUG
16	0100001030	T UNION D.6-1/8-D.6
17	0100002002	LOCKING RING D.6
18	0100001002	NUT FOR PIPE FITTING D.6
19	TCU0000002	D.4x6 COPPER PIPE
20	0100003002	COPPER GASKET
21	0110006001	D.40 0-20 bar MANOMETER - 1(8' REAR CONN.
22	4600020115	PLUG
23	FASC000102	D.12 PIPES CLIP
24	ELE0009001	120° CLICSON
25	250020087	SAFETY SWITCH SECURING SPRING
26	1600001098	SYNTHETIC RUBBER D.4.5 SPACER
27	VIT0000030	SCREW TCB M4 x 7
28	0110001072	24 DC 1/8 3-WAY VALVE ODE
28/a	0110010020	CORE WITH SPRING FOR 3-WAY VALVE ODE
28/b	0110010035	3-WAY VALVE SLEEVE ODE
28/c	0110010065	8W 24 D.C. COIL ODE
29	0100001070	STRAIGHT CONNECTION 800 - 1/8 VITON
30	0600012658	VALVE BOILER CONNECTION
31	0600012659	VALVE COVER
32	TSIL07/11T	TRANSPARENT SILICONE PIPE D.7 x 11
33	2500001139	VALVE RUBBER-HOLDER CONNECTION
35	0110001090	2 24 DC E.INF. 2-WAY VALVE W/BLOCK
35/a	0110010145	6W 24 D.C. COIL 70% ODE
35/b	0110010123	VALE SLEEVE ODE (D.12.9+GREEN OR)
35/c	0110010124	2-WAY MOBILE CORE ASSEMBLY ODE
36	0110002004	SAFETY VALVE
37	TNAY000001	D.6*4 POLYAMIDE PIPE
38	250020146	ELBOW CONNECTION
39	0100001017	STRAIGHT MALE CONNECTION D.6-1/8
40	0110001079	3 EV 2 VIE C/BLOCCHETTO 24 DC
100	0600012530	COOFFEE BOILER MM 150 FOR MICRO GROUP

assieme

## SAGOMA MM 195 MICRO GROUP BOILER



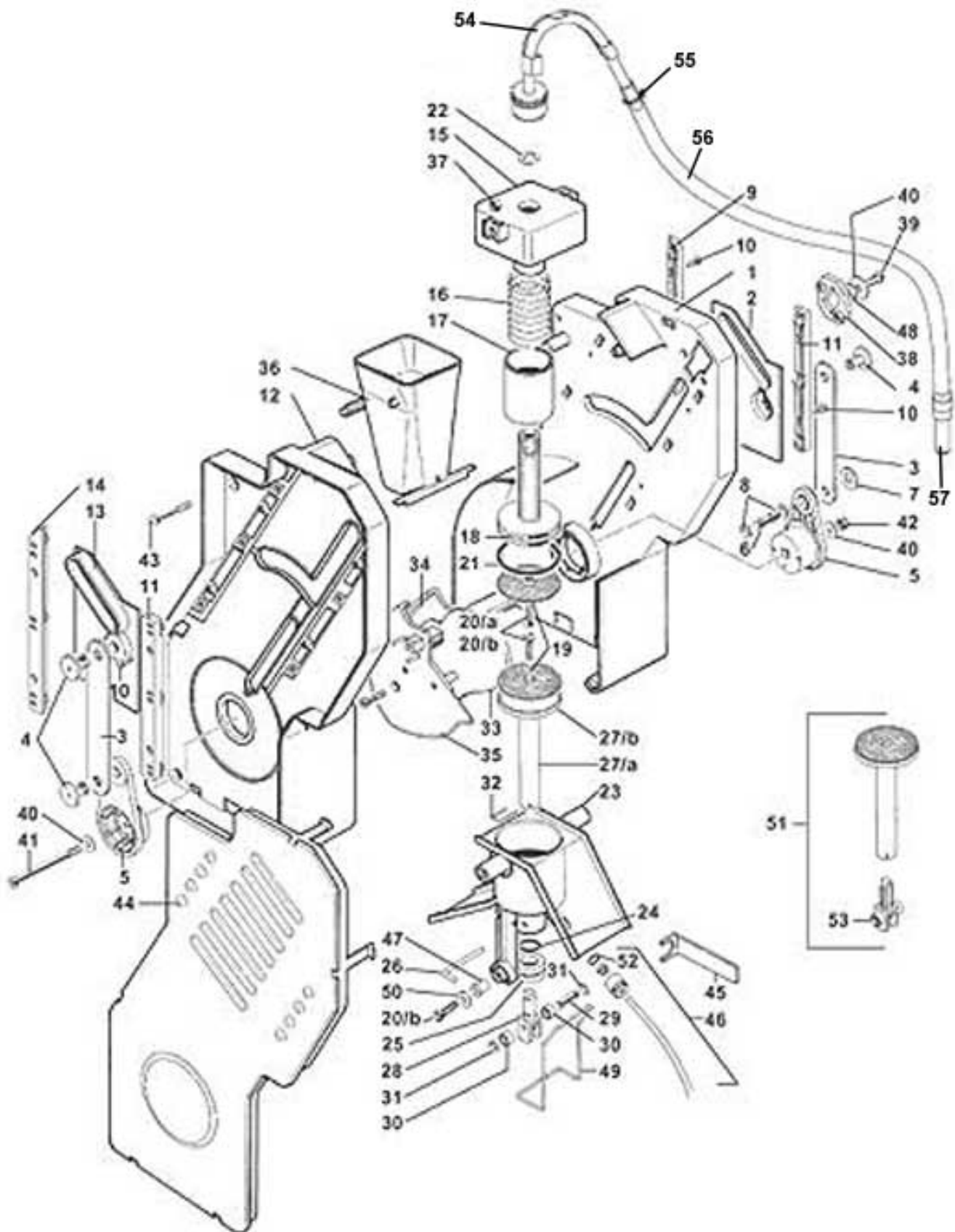


## SAGOMA MM 195 MICRO GROUP BOILER

Pos.	Code	Description
1	250020078	JACKET
2	0600012519	FLANGE WITH 1400W 230 V HEATING ELEMENT
3	GUA0000047	164 VITON OR
4	0100001064	174 M PLUG + OR
5	0600012532	FLANGE WITH PIPE
6	250020079	TIE-BOLT
7	VIT0003206	D. 8.4x16x1.6 WASHER
8	VIT0003402	D. 8.4 GROWER SPRING WASHER
9	VIT0004506	M 8 NUT
10	0100001019	L FITTING D.6-1/8M CON.
11	0100001007	STRAIGHT CONNECTION 1/8F -1/8 FEMALE
12	0110002003	1/8M INLET - 1/8M OUTLET NON-RETURN VALVE
13	0100003012	SAGOMA PROBE CONNECTION
14	ELE0000970	mm 500 BULB PROBE It's part of kit ELE0000970CL
15	0600015507	PROBE PLUG
16	0100001030	T UNION D.6-1/8-D.6
17	0100002002	LOCKING RING D.6
18	0100001002	NUT FOR PIPE FITTING D.6
19	TCU00000002	D.4x6 COPPER PIPE
20	0100003002	COPPER GASKET
21	0110006001	D.40 0-20 bar MANOMETER - 1(8' REAR CONN.
22	4600020115	PLUG
23	FASC000102	D.12 PIPES CLIP
24	ELE0009001	120° CLICSON
25	250020087	SAFETY SWITCH SECURING SPRING
26	1600001098	SYNTHETIC RUBBER D.4.5 SPACER
27	VIT00000030	SCREW TCB M4 x 7
28	0110001072	24 DC 1/8 3-WAY VALVE ODE
28/a	0110010020	CORE WITH SPRING FOR 3-WAY VALVE ODE
28/b	0110010035	3-WAY VALVE SLEEVE ODE
28/c	0110010065	8W 24 D.C. COIL ODE
29	0100001070	STRAIGHT CONNECTION 800 - 1/8 VITON
30		
31	0600012661	VALVE SECURING COVER
32	TSIL07/11T	TRANSPARENT SILICONE PIPE D.7 x 11
33	2500001139	VALVE RUBBER-HOLDER CONNECTION
35	0110001090	2 24 DC E.INF. 2-WAY VALVE W/BLOCK
35/a	0110010145	6W 24 D.C. COIL 70% ODE
35/b	0110010123	VALE SLEEVE ODE (D.12.9+GREEN OR)
35/c	0110010124	2-WAY MOBILE CORE ASSEMBLY ODE
36	0110002004	SAFETY VALVE
37	TNAY000001	D.6*4 POLYAMIDE PIPE
38	250020146	ELBOW CONNECTION
39	0100001017	STRAIGHT MALE CONNECTION D.6-1/8
40	0110001079	3 EV 2 VIE C/BLOCCHETTO 24 DC
100	0600012540	COFFEE BOILER MM 195 FOR MICRO

assieme

## SAGOMA MICRO COFFEE GROUP

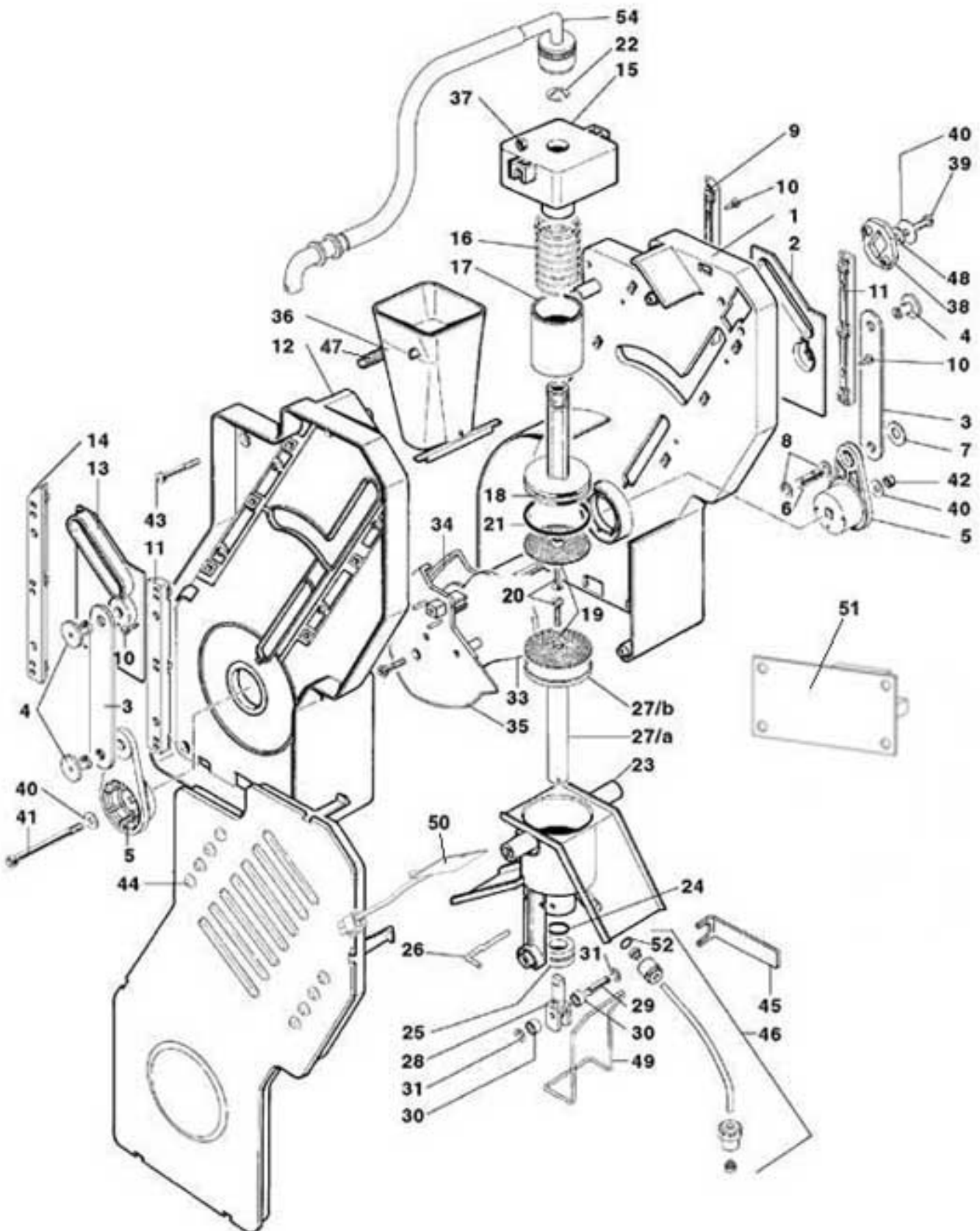


## SAGOMA MICRO COFFEE GROUP

Pos.	Code	Description
1	0250008005	R.H. FRAME It's part of kit 0250008005R
2	0250008084	R.H. INFUSION CHAMBER CAM
3	0250008009	CONNECTING ROD
4	0250008028	PIN FOR CONNECTING ROD
5	0250008011	R.H. CRANK
6	0250008014	MOTOR CRANK PIN
7	0250008042	ANTIVIBRATION WASHER
8	VIT0006515	D.5 RADIAL STOP RING
9	0250008031	R.H. REAR GUIDE
10	VIT0002026	3.5x 6.5 STAINLESS STEEL TAPPING TCB SCREW
11	0250008033	FRONT GUIDE
12	0250008006	L.H. FRAME It's part of kit 0250008005R
13	0250008085	L.H. INFUSION CHAMBER CAM
14	0250008032	L.H. REAR GUIDE
15	0250008086	UPPER FILTER SUPPORT
16	0250008024	UPPER FILTER SPRING
17	0250008087	SPRING COVER PIPE
18/a	0250008026	D.36 UPPER FILTER FOR COFFEE BEANS GROUP D. 36
18/b	0250008208	D.40 UPPER FILTER FOR COFFEE BEANS GROUP D. 40
	0250008208IC	D.40 UPPER FILTER FOR COFFEE BEANS GROUP D. 40 ORANGE RAL 2011
19/a	0250008099	FILTER FOR COFFEE BEANS GROUP D. 36
19/b	0250008211	FILTER D.40 FOR COFFEE BEANS GROUP D. 40
20/a	VIT0001202	M 3x14 TSP SCREW
20/b	VIT0000121	M 3x8 TSP SCREW
21/a	GUA0000080	SILICONE 4112 OR FOR COFFEE BEANS GROUP D. 36
21/b	GUA0000097	SILICONE 4131 OR FOR COFFEE BEANS GROUP D. 40
22	VIT0006513	D.8 STAINLESS STEEL INSIDE SEEGER
23/a	0250008046R	INFUSION CHAMBER FOR COFFEE BEANS GROUP D. 36
23/b	0250008206R	INFUSION CHAMBER D.40 FOR COFFEE BEANS GROUP D. 40
24	GUA0000065	SILICONE OR 112
25	0250008053	LOWER INLET CUP BUSH
26	0250008029	GLASS BUSH PIN
27/a	0250008108	FILTER SUPPORT SHFT
27/b	0250008122	LOWER FILTER FOR COFFEE BEANS GROUP D. 36
27/c	0250008209	LOWER FILTER D.40 FOR COFFEE BEANS GROUP D. 40
	0250008209IC	LOWER FILTER D.40 FOR COFFEE BEANS GROUP D. 40 ORANGE RAL 2011
28	0250008106	LOWER FILTER ROLL SUPPORT
29	0250008021	ROLL SHAFT
30	0250008022	ROLL SHAFT
31	VIT0006516	D.3.2 RADIAL STOP RING
32	0250008027	LOWER FILTER PIN
33	0250008083	FILTER EJECTION CAM
34	0250008016	R.H. FILTER RECOVERY CAM
35	0250008017	L.H. FILTER RECOVERY CAM
36	0250008036	COFFEE CONE
37	VIT0004803	STAINLESS STEEL NUT M4
38	0250008035	SETTING PLATE
39	VIT0000032	M 4x8 INOX TCB SCREW
40	VIT0003309	4.3x16x1.5 STAINLESS STEEL FLAT WASHER
41	VIT0005523	4x60 STAINLESS STEEL TCEI SCREW
42	VIT0004810	M 4 SELFLOCKING NUT
43	VIT0002461	SCREW TCCCR 4.2 x 26
44	0250008039	L.H. FRAME COVER
	0250008039CM	L.H. FRAME COVER FOR COFFEE BEANS GROUP D. 40 MERCEDES GREY RAL 9006
	0250008039IC	L.H. FRAME COVER FOR COFFEE BEANS GROUP D. 40 ORANGE RAL 2011
45	0250008048	KEY FOR NUT
46	0250008050	WATER INLET PIPE ASSEMBLY
47	VIT0009203	M 3 CONNECTION FOR THERMOPLASTIC
48	VIT0003451	GROWER SPRING WASHER
49	0250008094	SCRAPER
50	0250008088	WASHER FOR CHAMBER CAM
51	0250008109R	D.36 LOWER FILTER+ROLL SUPPORT ASSEMBLY
52	GUA0000061	2010 VITON OR
53	0250008107R	LOWER FILTER ROLL SUPPORT
54	0250008130CL	COFFEE OUTLET PIPE ASSEMBLY
55	FASC000105	PIPES CLIP
56	TSIL06/09T	TRANSPARENT SILICONE PIPE D.6 x 9
57	0380010657NA	DISPENSER PIPE (BLACK)
100	0250008001R	MICRO COFFEE GROUP FOR COFFEE BEANS GROUP D. 36
103	0250008208R	D.40 UPPER FILTER ASSEMBLY FOR COFFEE BEANS GROUP D. 40
101	0250008201R	MICRO COFFEE GROUP D.40 FOR COFFEE BEANS GROUP D. 40
102	0250008026R	D.36 UPPER FILTER ASSEMBLY FOR COFFEE BEANS GROUP D. 36
103	0250008208R	D.40 UPPER FILTER ASSEMBLY FOR COFFEE BEANS GROUP D. 40
104	0250008108R	D.36 LOWER FILTER

assieme

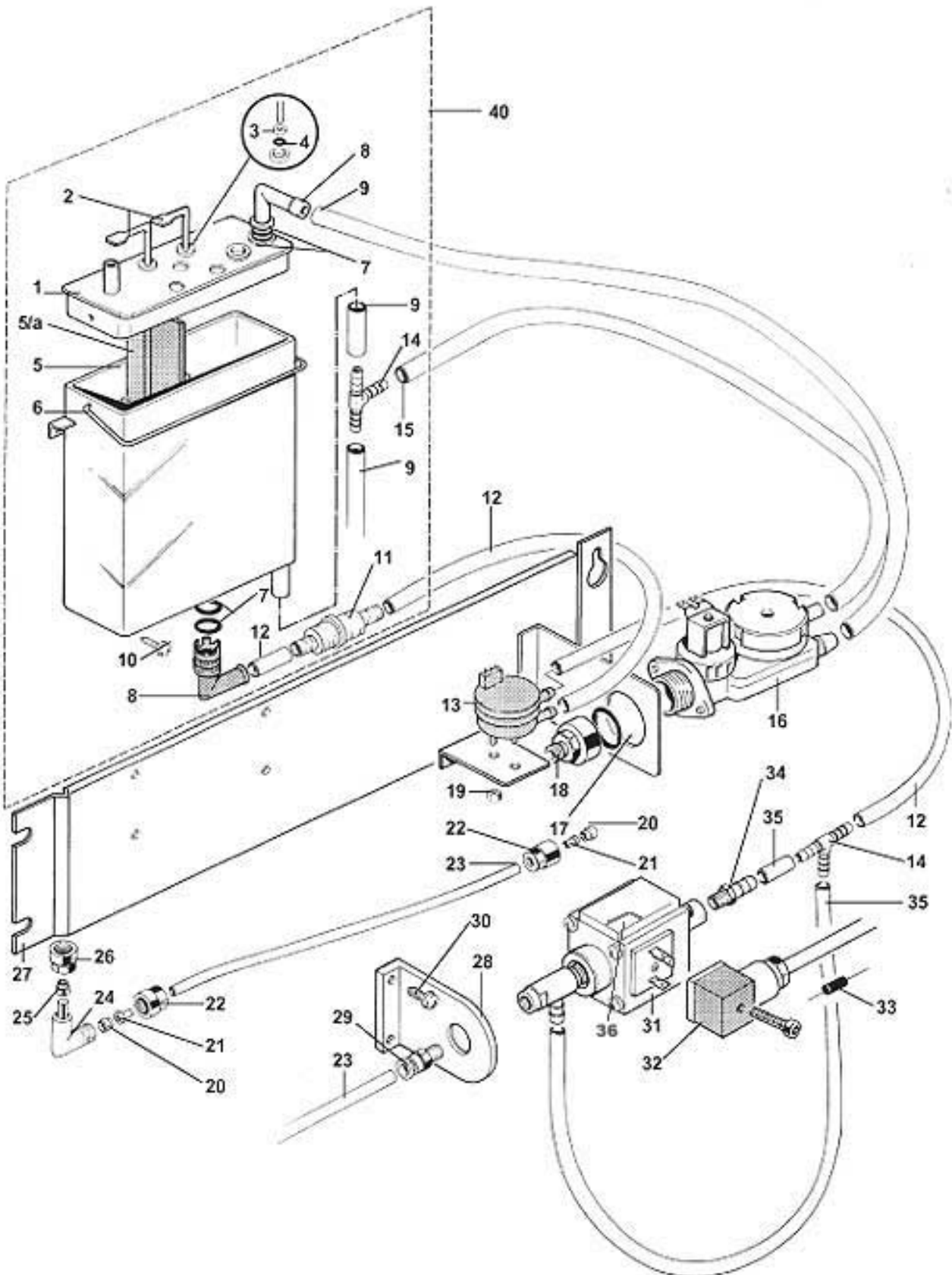
## SAGOMA HEATED MICRO COFFEE GROUP



## SAGOMA HEATED MICRO COFFEE GROUP

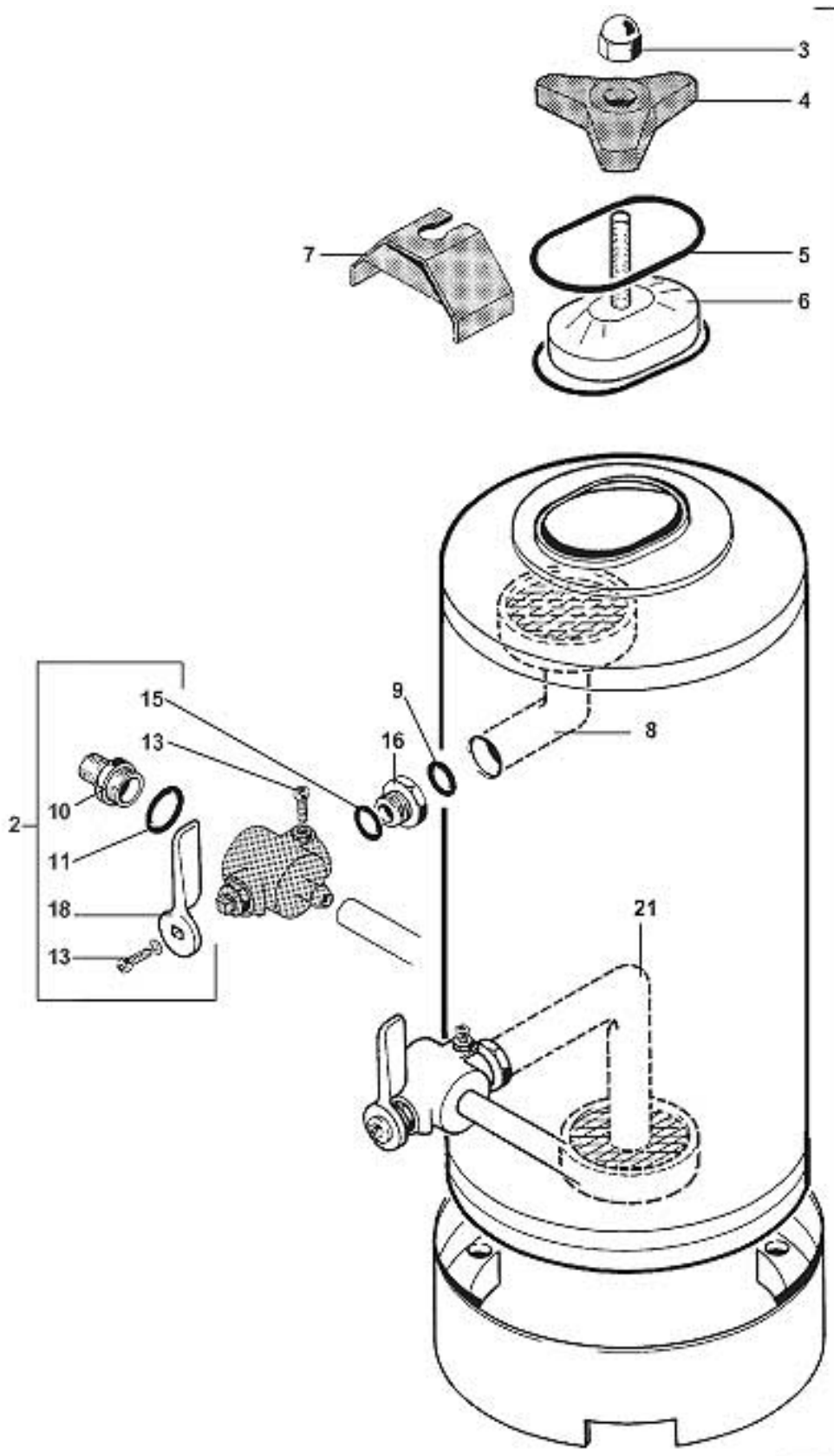
Pos.	Code	Description
1	0250008005	R.H. FRAME It's part of kit 0250008005R
2	0250008084	R.H. INFUSION CHAMBER CAM
3	0250008009	CONNECTING ROD
4	0250008028	PIN FOR CONNECTING ROD
5	0250008011	R.H. CRANK
6	0250008014	MOTOR CRANK PIN
7	0250008042	ANTIVIBRATION WASHER
8	VIT0006515	D.5 RADIAL STOP RING
9	0250008031	R.H. REAR GUIDE
10	VIT0002026	3.5x 6.5 STAINLESS STEEL TAPPING TCB SCREW
11	0250008033	FRONT GUIDE
12	0250008006	L.H. FRAME It's part of kit 0250008005R
13	0250008085	L.H. INFUSION CHAMBER CAM
14	0250008032	L.H. REAR GUIDE
15	0250008086	UPPER FILTER SUPPORT
16	0250008024	UPPER FILTER SPRING
17	0250008087	SPRING COVER PIPE
18	0250008026	D.36 UPPER FILTER
19	0250008019	FILTER
20	VIT0000121	M 3x8 TSP SCREW
21	GUA0000080	SILICONE 4112 OR
22	VIT0006513	D.8 STAINLESS STEEL INSIDE SEEGER
23	0250008215R	INFUSION CHAMBER WITH GROUNDS CHUTE
24	GUA0000065	SILICONE OR 112
25	0250008053	LOWER INLET CUP BUSH
26	0250008029	GLASS BUSH PIN
27/a	0250008108	FILTER SUPPORT SHFT
27/b	0250008122	LOWER FILTER
28	0250008226	ROLL SUPPORT
29	0250008021	ROLL SHAFT
30	0250008022	ROLL SHAFT
31	VIT0006516	D.3.2 RADIAL STOP RING
33	0250008083	FILTER EJECTION CAM
34	0250008016	R.H. FILTER RECOVERY CAM
35	0250008017	L.H. FILTER RECOVERY CAM
36	0250008036	COFFEE CONE
37	VIT0004803	STAINLESS STEEL NUT M4
38	0250008035	SETTING PLATE
39	VIT0000032	M 4x8 INOX TCB SCREW
40	VIT0003309	4.3x16x1.5 STAINLESS STEEL FLAT WASHER
41	VIT0005523	4x60 STAINLESS STEEL TCEI SCREW
42	VIT0004810	M 4 SELFLOCKING NUT
43	VIT0002461	SCREW TCCCRT 4,2 x 26
44	0250008039	L.H. FRAME COVER
	0250008039CM	L.H. FRAME COVER MERCEDES GREY RAL 9006
	0250008039IC	L.H. FRAME COVER ORANGE RAL 2011
45	0250008048	KEY FOR NUT
46	0250008050	WATER INLET PIPE ASSEMBLY
47	0250008119	SPRING
48	VIT0003451	GROWER SPRING WASHER
50	0250008213R	COMPLETE HEATING ELEMENT
51	SCH0006880	HEATING ELEMENT POWER BOARD
52	GUA0000061	2010 VITON OR
54	0250008130CL	COFFEE OUTLET PIPE ASSEMBLY
100	0250008220R	HEATED MICRO COFFEE GROUP D.36
101	0250008227R	ASSEMBLED LOWER FILTER ROLL SUPPORT (POS. 28-29-30-31)

## SAGOMA WATER INLET



## SAGOMA WATER INLET

Pos.	Code	Description
1	0800009223	TANK COVER It's part of kit 0800009201R
2/a	0600015213	mm 72 PROBE
2/b	0800008035	mm 135 PROBE
3	VIT0003002	D.3.2x7x0.5 WASHER
4	GUA0000038	2010 OR
5	0800009203	SOLUBLE TANK BODY It's part of kit 0800009201R
5/a	800000010	TANK INTERNAL WALL
6	800000035	COVER SECURING RING
7	GUA0000043	OR 109
8	0800009211	ELBOW WITH RAPID CONNECTION
9	TSIL07/11T	TRANSPARENT SILICONE PIPE D.7 x 11
10	VIT0002009	SCREW T.C.B. 3,5 x 6,5
11	0109002002	WATER FILTER
12	TSIL05/09T	D.5x9 NATURAL TRANSPARENT SILICONE PIPE
13	0110007003	VOLUME COUNTER W/RUBBERHOLDER
14	0100003003	TEE UNION
15	TSIL05/08T	TRANSPARENT SILICONE PIPE D.5 x 8
16	0110001119	24V INLET SAFETY VALVE
17	GUA0000021	GASKET 130
18/a	0810010556	1/4'M GAS VALVE CONNECTION
18/b	0010019223	3/8 GAS M WATER INLET VALVE CONNECTION
19	VIT0004502	M3 NUT
20	0100002002	LOCKING RING D.6
21	0100002005	STRENGTHENING BUSH D.4
22	0100001003	NUT FOR PIPE FITTING D.6-1/4
23	TNAY000001	D.6*4 POLYAMIDE PIPE
24	0100001026	L FITTING D.8-1/4 CAN BE ORIENTED
25	0100002003	LOCKING RING D.8
26	0100001005	NUT FOR D.8-3/8 PIPE FITTING
27	0810010606	WATER COMPONENTS SUPPORT
28/a	0220001002	PUMP SUPPORT FOR COFFEE BEANS GROUP D. 36
28/b	0110004022	SQUARE SUPPORT FOR COFFEE BEANS GROUP D. 40
29	0100001066	STRAIGHT RAPID CONNECTION 1/8M - 4*6
30	VIT0002401	SCREW TCB 3.5 x 9.5
31/a	0110004002R	ELECTROMAGNETIC PUMP 12 bar FOR COFFEE BEANS GROUP D. 36
31/b	0110004021	230V 50 HZ PUMP FOR XS CABINET FOR COFFEE BEANS GROUP D. 40
32	ELE0060094	PUMP CONNECTOR WITH DIODE
33	ELT0005153	1 N 4007 DIODE
34	2500001139	VALVE RUBBER-HOLDER CONNECTION
35	TSIL06/09T	TRANSPARENT SILICONE PIPE D.6 x 9
36	ELE0000915	THERMIC PROTECTION FOR COFFEE BEANS GROUP D. 40
100	0800008030CL	SAGOMA RECTANGULAR TANK WITH PROBES FOR COFFEE BEANS GROUP D. 36
101	0810010601CL	SAGOMA E EX 7 VERSION ASSEMBLY FOR COFFEE BEANS GROUP D. 40

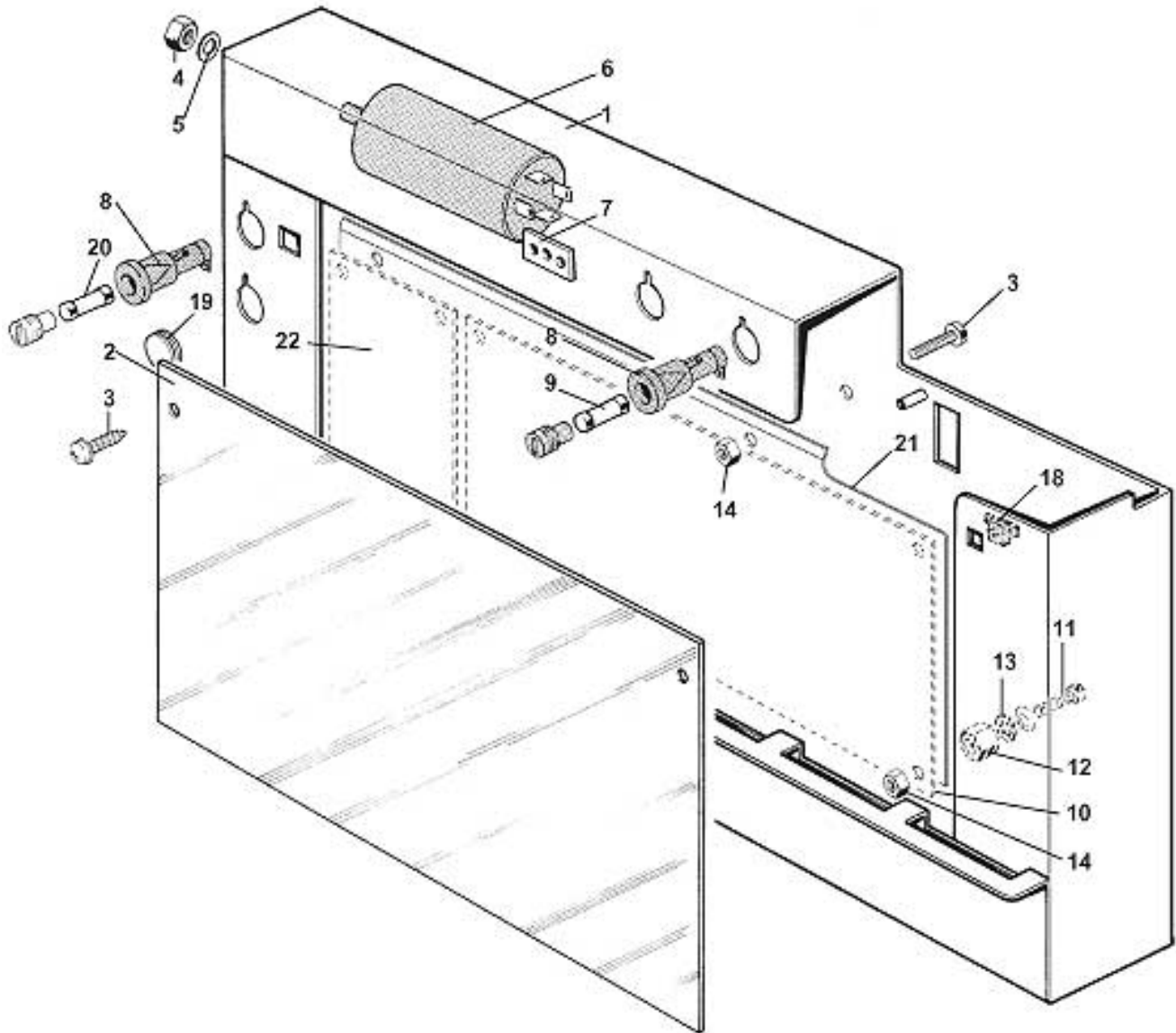




## SAGOMA SWEETENER

Pos.	Code	Description	
3	0060002031	SWEETENER NUT WITH SPHERIC COVER	
4	0060002032	SWEETENER COVER WHEEL	
5	GUA0000035	OR FOR SWEETENER COVER	
6	0060002033	SWEETENER COVER	
7	0060002034	SWEETENER BRIDGE	
8	0060002035	SWEETENER UPPER FILTER	
9	GUA0000018	GASKET 125	
10	0060002036	SWEETENER COCK CONNECTION	
11	GUA0000013	GASKET 117	
12			
13	VIT0001005	SCREW T.C.B. M 4 x 12	
14			
15	0060002037	SWEETENER R 9 GASKET	
16	0060002038	SWEETENER NUT D. 20*1.5	
17	TSIL06/09T	TRANSPARENT SILICONE PIPE D.6 x 9	
18	0060002039	SWEETENER HANDLE	
19	VIT0003301	WASHER D.12 x 4.3 x 1.5	
20			
21	0060002040	SWEETENER LOWER FILTER	
1	0060002001	SWEETENER ASSEMBLY	assieme
2	0060002030	COCK ASSEMBLY	assieme

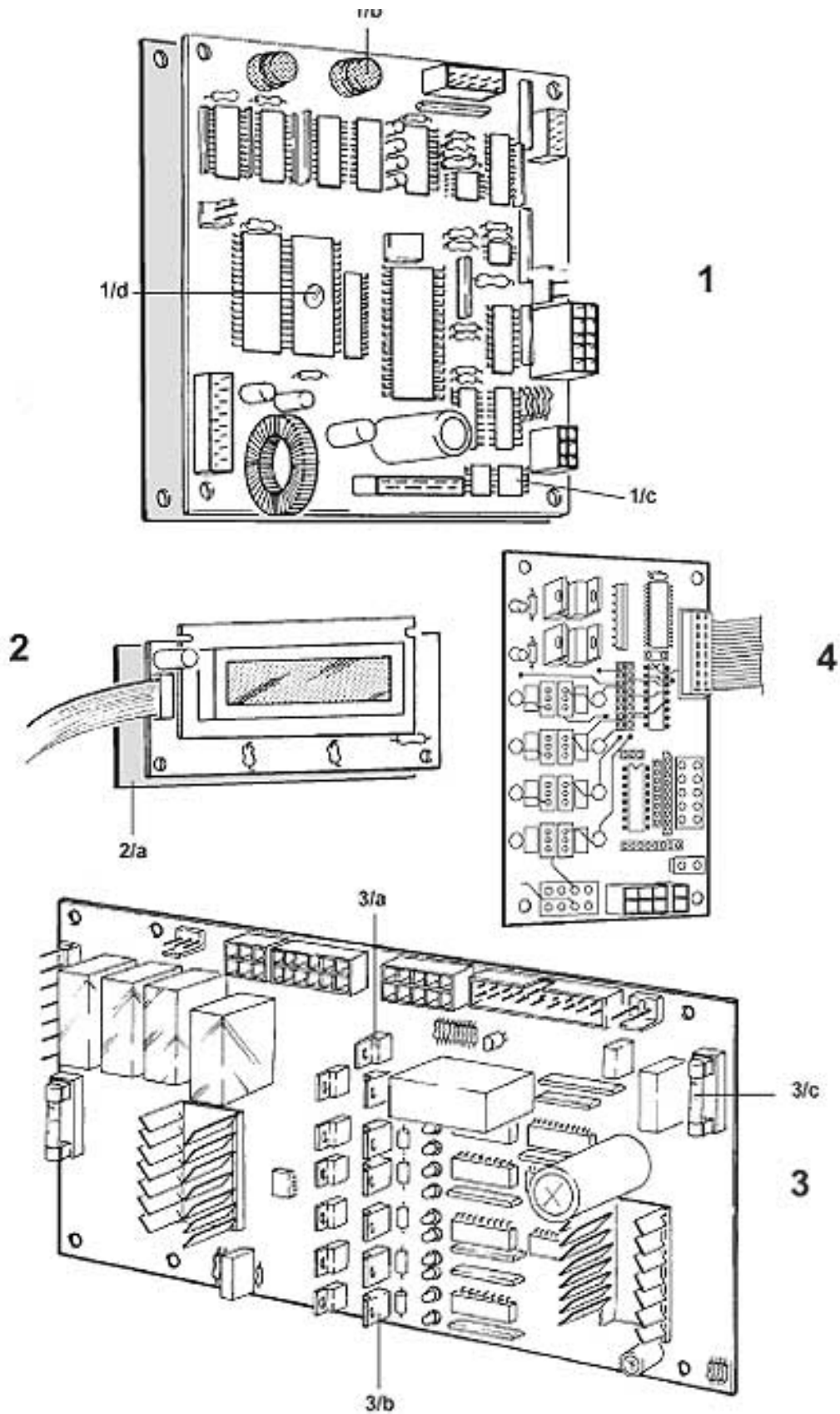
## SAGOMA CONTROL PANEL



# SAGOMA CONTROL PANEL

Pos.	Code	Description
1	0130011508	CONTROL PANEL WITH SUPPORT
2	0130011509	CONTROL PANEL COVER W/SUPPORT
3	VIT0000030	SCREW TCB M4 x 7
4	VIT0004506	M 8 NUT
5	VIT0003106	WASHER tab D. 8
6	ELE0009055	ANTIPARASITIC FILTER
7	ELE0002305	10 A 250 V SOCKET
8	ELE0003507	FUSES HOLDER
9	ELE0003024	SLOW-BLOW CERAMIC TYPE 6.3A FUSES 5 x 20
10		See table NEW ELECTRONIC CONTROL AND POWER LOGIC
11	VIT0000014	M 4x16 TCB SCREW FOR OLD ELECTRONIC VERSION
12	0020018125	BOARD SPACER FOR OLD ELECTRONIC VERSION
13	VIT0003103	WASHER tab D. 4.3 FOR OLD ELECTRONIC VERSION
14	VIT0004503	NUT M 4 FOR OLD ELECTRONIC VERSION
15		
16		
17		
18	VIT0009109	M 4 NUT IN RETAINER
19	GUA0010503	MEMBRANE CORE HITCH Ø 9
20	ELE0003023	4 A 6.3x32 SLOW-BLOW CERAMIC TYPE FUSE FOR OLD ELECTRONIC VERSION
21	0130011706	POWER BOARD SUPPORT
22		See table NEW ELECTRONIC CONTROL AND POWER LOGIC

## SAGOMA CONTROL AND POWER LOGIC

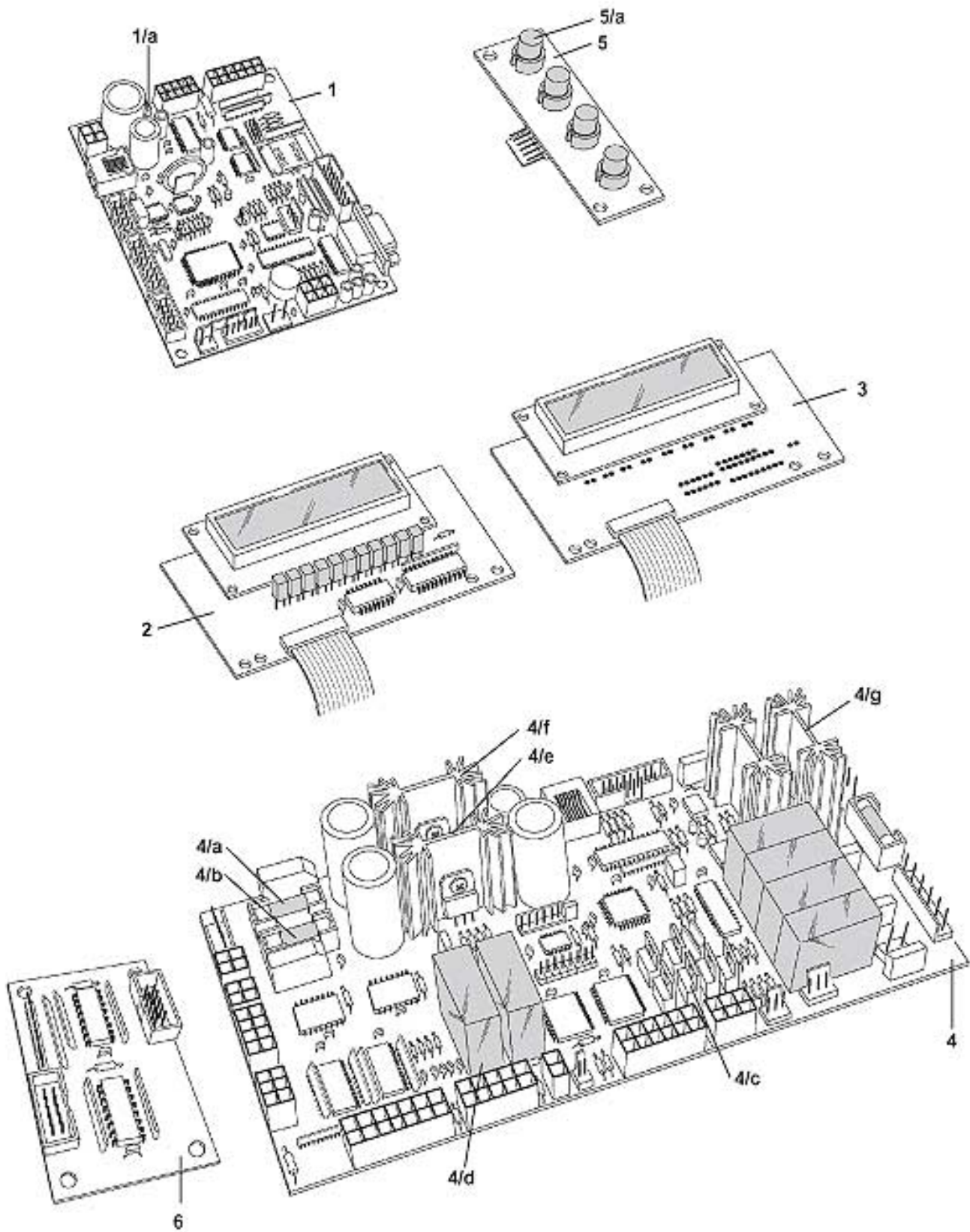


## SAGOMA CONTROL AND POWER LOGIC

Pos.	Code	Description
1	SCH0002860	DC CPU
1/a	ELT0030059	EPROM 27C512
1/b	ELT0030703	D6 SQUARE KEY
1/c	ELT0030064	EAROM 93LC66B/P MICROCHIP
1/d	0020022679	CPU BOARD PROTECTION
2	SCH0003020	SAGOMA DISPLAY
2/a	0020034047	DISPLAY INSULATION
3	SCH0003840	SAGOMA DC POWER CONTROL
3/a	ELT0004017	TIP 122 TRANSISTOR
3/b	ELT0004020	TRANSISTOR BDW93C
3/c	ELE0003028	6,3A SLOW-BLOW GLASS FUSE 5x20
4	SCH0004060	SAGOMA DC EXPANSION POWER (ONLY FOR THE E/5 VERSION)

SAGOMA

NEW ELECTRONIC CONTROL AND POWER LOGIC

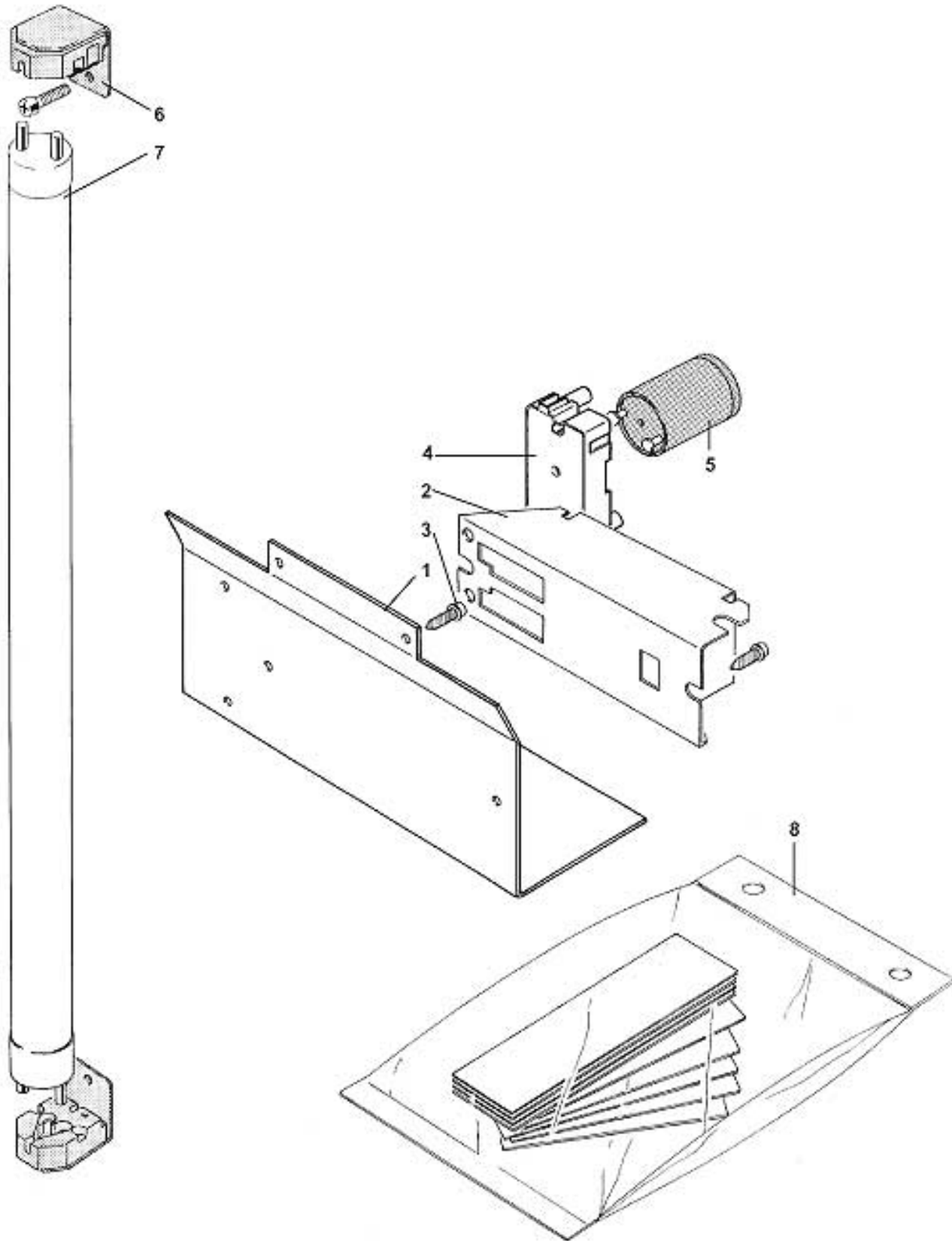


## SAGOMA

### NEW ELECTRONIC CONTROL AND POWER LOGIC

Pos.	Code	Description
1	SCH0007220	CPU W/HOLDER BATTERY
1/a	ELT0004026	TRANSISTOR BTS 141
2	SCH0005940	DISPLAY LIGHTBAR LED GREEN
3	SCH0004660	LCD DISPLAY WITHOUT SUGAR QUANTITY
4	SCH0005140	POWER CARD
4/a	ELE0003025	2A RAPID GLASS FUSE 5x20
4/b	ELE0003028	6,3A SLOW-BLOW GLASS FUSE 5x20
4/c	ELT0004025	TRANSISTOR BTS 133
4/d	ELT0007151	1-WAY 24V D.C. 10A RELAY
4/e	ELT0004026	TRANSISTOR BTS 141
4/f	ELT0030301	INTEGRATED CIRCUIT 7805
4/g	ELT0004209	TRIAC TRIAC 16 A
5	SCH0003980	PROG./WASHING KEYBOARD
5/a	ELT0030704	D6 ROUND KEY
6	SCH0004200	KEYBOARD EXPANSION

## SAGOMA LIGHTING KIT



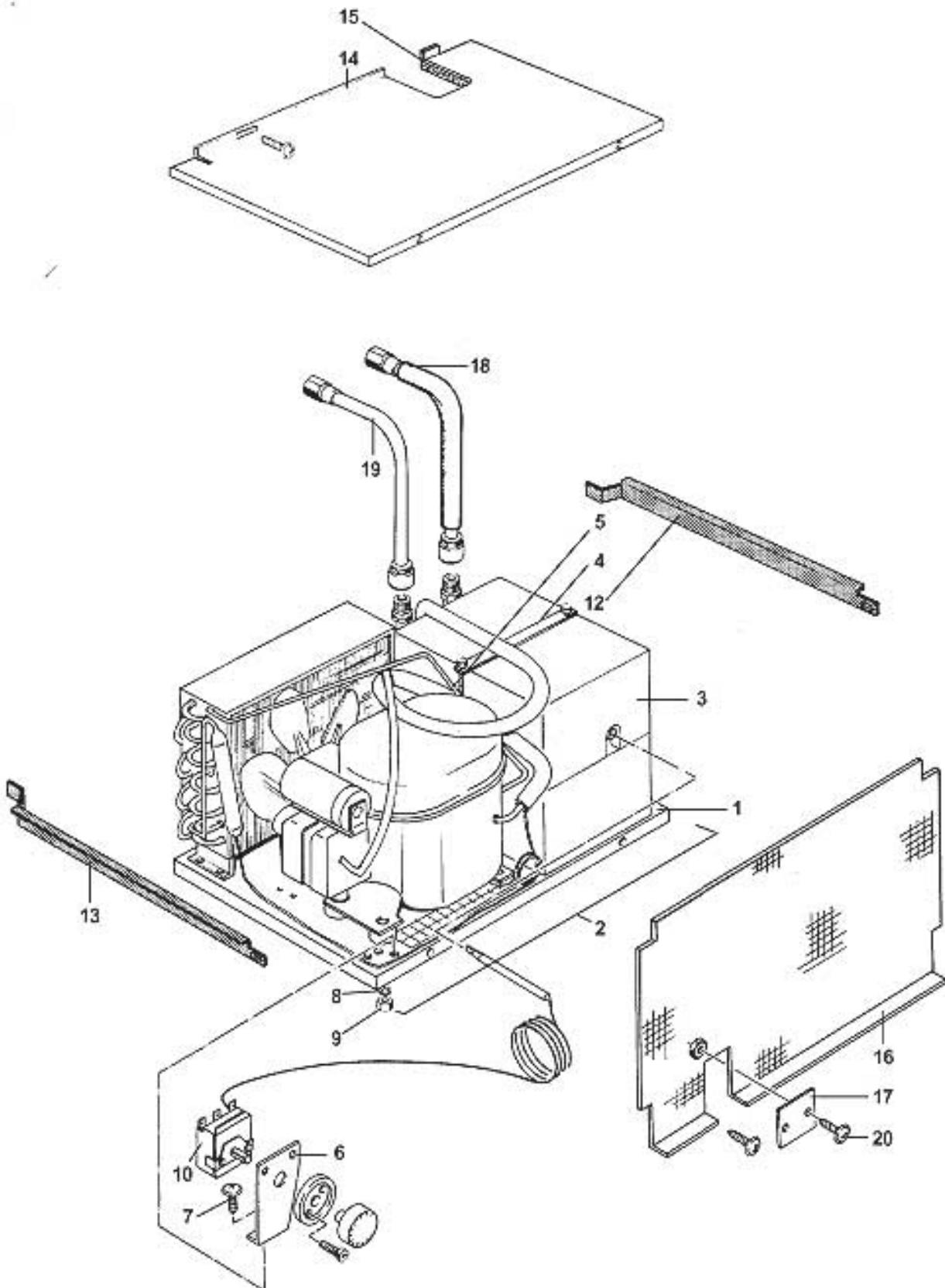


## SAGOMA LIGHTING KIT

Pos.	Code	Description	
1/a	0020034031	ELECTRIC COMPONENTS SUPPORT	Up to serial 9523999
1/b	0020034157	ELECTRIC COMPONENTS SUPPORT	From serial 9527001
2	ELE0009116	220 V BALLAST	
3	VIT0002401	SCREW TCB 3.5 x 9.5	
4	ELE0009108	L 8 W 20 LAMP	
5	ELE0009109	STARTER	
6	ELE0009107	BIPLUG G 13 LAMP HOLDER	
7	ELE0009018	L 8 W 20 LAMP	
100	KIT0020034002	SAGOMA LIGHTING KIT	assieme

## SAGOMA FP REFRIGERATING GROUP

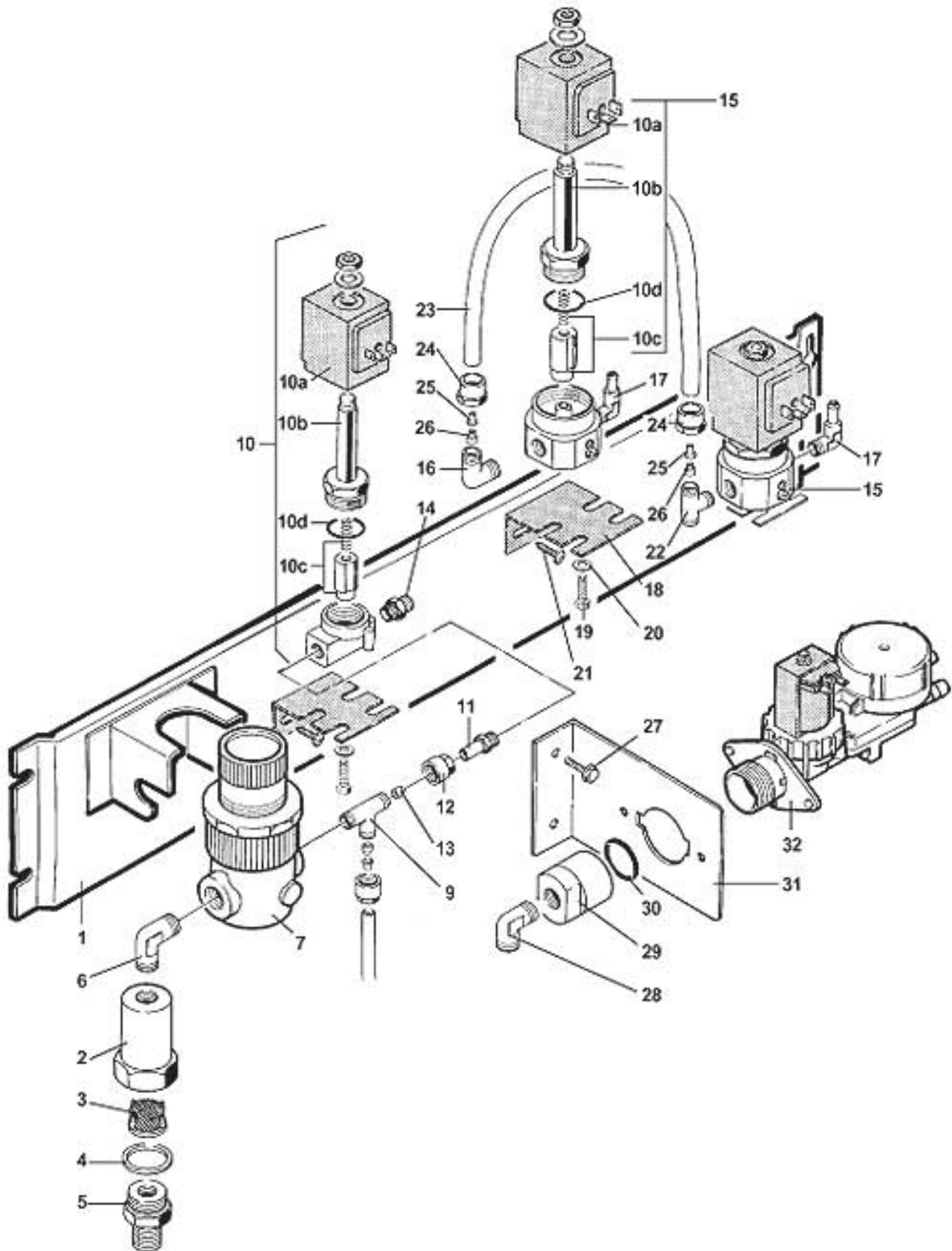
---



## SAGOMA FP REFRIGERATING GROUP

Pos.	Code	Description	
1	550000001	REFRIGERATING SUPPORT	
2	0550050005	REFRIGERATING GROUP WIHT HEATING ELEMENTS	
3	0550006015	POLYSTYRENE HALF-SHELL	
4	0550006006	TANK SECURING PLATE	
5	0550006005	TANK SECURING TIE-BOLT	
6	3003001036	THERMOSTAT SUPPORT	
7	VIT0000030	SCREW TCB M4 x 7	
8	VIT0003103	WASHER tab D. 4.3	
9	VIT0004503	NUT M 4	
10	ELE0000918	REMOTE THERMOSTAT	
11			
12	0550004076	R.H. SUPPORT	
13	0550004075	L.H. SUPPORT	
14	0550004055	REFRIGERANTED PLAN	
15	0550004018	POLYSTYRENE	
16	0550004021	REFRIGERANTING GROUP PROTECTION	
17	0550004044	FP THERMOSTAT PROTECTION	
18	0810010058CL	REFRIG. OUTLET PIPE TO VALVE ASSEMBLY	
19	0810010057CL	VALVE PIPE W/SETTING TO REFRIGERATING INLET	
20	VIT0000004	M 3x10 TCB SCREW	
21	VIT0004701	M3 FR NUT	
100	0550003006CL	REFRIG. GROUP FP W/THERMOSTAT	assieme

## SAGOMA WATER INLET FP



## SAGOMA WATER INLET FP

Pos.	Code	Description
1	0810010588	WATER COMPONENTS SUPPORT
2	0170005007	FILTER SUPPORT
3	0110020007	D.20 PLASTIC FILTER
4	GUA0003201	D.26x22x1.5 COPPER GASKET
5	0170005006	FILTER-HOLDER CONNECTION
6	0100001021	L FITTING D.8-1/ MALE CONIC
7	0110003007	WATER MICROREGULATOR 1/4 0-8 bar
8		
9	0100001039	T UNION 1/4-D.8-D.8
10	0110001064	24 DC 1/8 VALVE WITHOUT/SETTING
10/a	0110010065	8W 24 D.C. COIL ODE
10/b	0110010038	2-WAY VALVE SLEEVE
10/c	0110010021	CORE WITH SPRING FOR 2-WAY VALVE
10/d	0110010009	OR FOR 2-WAY VALVE
11	9003001040	WATER INLET VALVE CONNECTION
12	0100001004	NUT FOR D.8-1/4 PIPE FITTING
13	0100002003	LOCKING RING D.8
14	0100001017	STRAIGHT MALE CONNECTION D.6-1/8
15	0110001076	24 DC 1/8 2-WAY VALVE WITH SETTING
16	0100001019	L FITTING D.6-1/8M CON.
17	820001039	ELBOW TO RUBBERHOLDER CONNECTION
18	0810010211	VALVE SUPPORT BRACKET
19	VIT0000015	M 4x25 TCB SCREW
20	VIT0003301	WASHER D.12 x 4.3 x 1.5
21	VIT0002401	SCREW TCB 3.5 x 9.5
22	0100001030	T UNION D.6-1/8-D.6
23	TNAY000001	D.6*4 POLYAMIDE PIPE
24	0100001002	NUT FOR PIPE FITTING D.6
25	0100002005	STRENGTHENING BUSH D.4
26	0100002002	LOCKING RING D.6
27	VIT0000030	SCREW TCB M4 x 7
28	0100001022	L FITTING 6-3/8M CON.
29	0810010558	WATER INLET VALVE CONNECTION
30	GUA0000021	GASKET 130
31	0070012111	WATER INLET VALVE SUPPORT
	0070012111CK	WATER INLET VALVE SUPPORT DUST GREY RAL 7037
32	0110001119	24V INLET SAFETY VALVE
100	0810010098CL	SAGOMA H/FP 2VALVES W/SETTING ASSEMBLY (FROM POS.1 TO POS.26)

assieme