

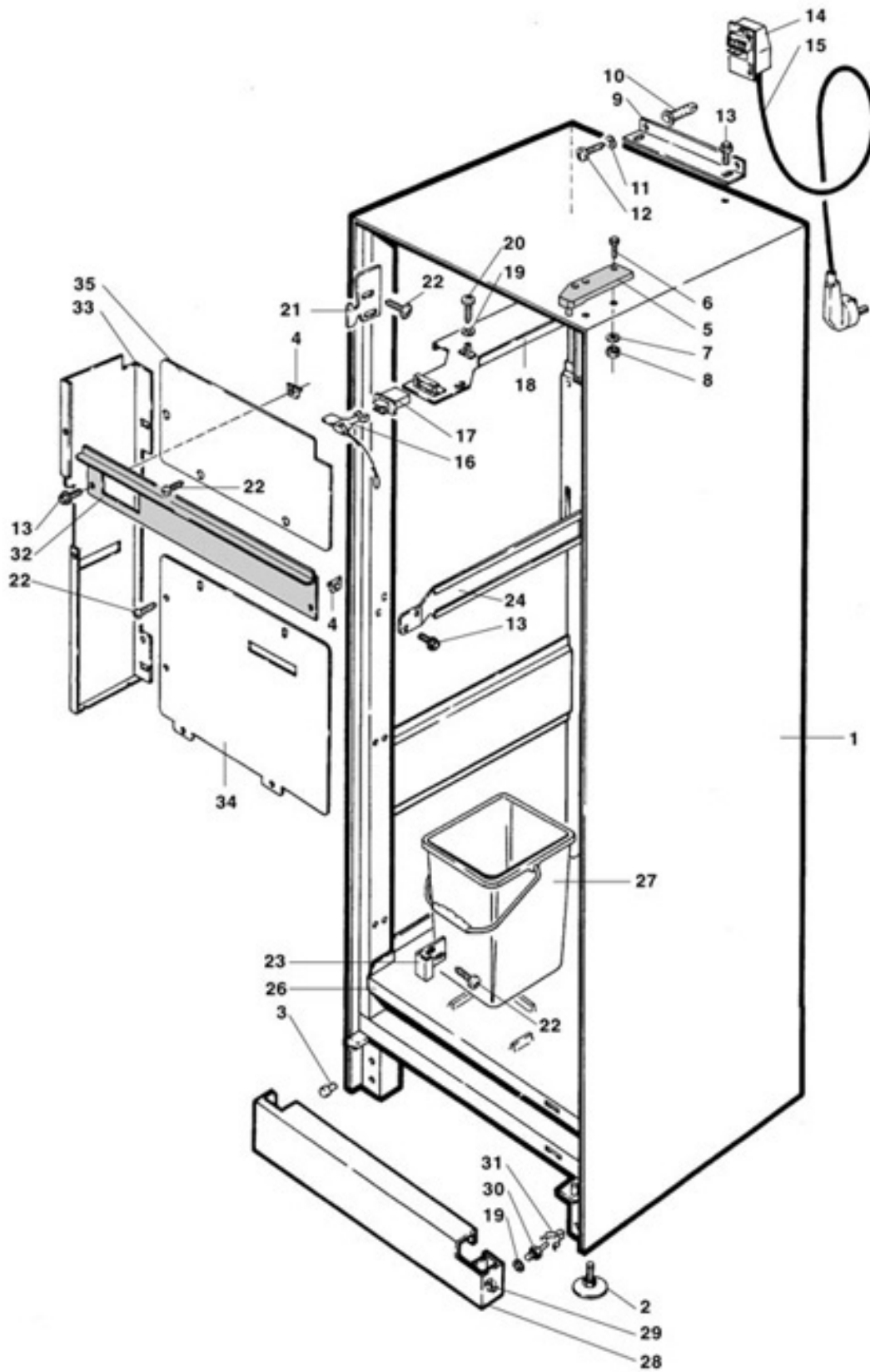
vending machine

[LUCE]



spare parts manual

## LUCE CABINET

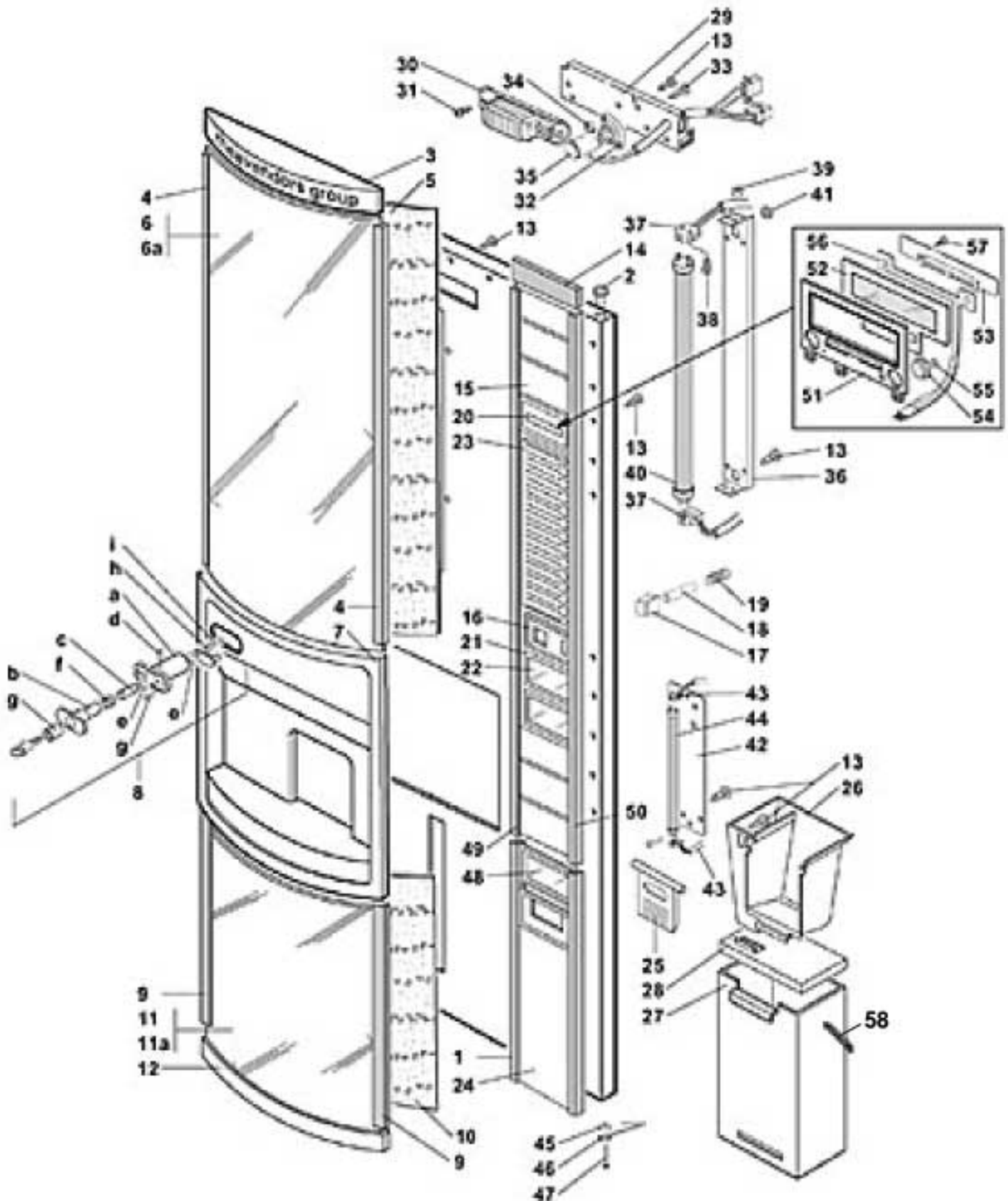


## LUCE CABINET

Pos.	Code	Description
1	0010015105	CABINET STRUCTURE
	0010015105AE	CABINET STRUCTURE PURE WHITE RAL 9010
	0010015105CF	CABINET STRUCTURE ANTHRACITE RAL 7016
	0010015105CH	CABINET STRUCTURE AGATA GREY RAL 7038
	0010015105CM	CABINET STRUCTURE MERCEDES GREY RAL 9006
	0010015105NA	CABINET STRUCTURE BLACK
2	0010013208	FEET
3	0020018061	BUTTON PLUG
4	VIT0009102	M 6 NUT IN RETAINER
5	0010013191	UPPER HINGE
	0010013191AE	UPPER HINGE PURE WHITE RAL 9010
	0010013191CF	UPPER HINGE ANTHRACITE GREY RAL 7016
	0010013191CG	UPPER HINGE LIGHT GREY RAL 7035
	0010013191CH	UPPER HINGE AGATA GREY RAL 7038
	0010013191CM	UPPER HINGE MERCEDES GREY RAL 9006
	0010013191CN	UPPER HINGE SILICIOUS GREY RAL 7032
	0010013191GF	UPPER HINGE SULPHUR YELLOW RAL 1016
	0010013191KE	UPPER HINGE FIRE RED RAL 3000
	0010013191NA	UPPER HINGE BLACK
6	VIT0000215	SCREW TE M8x25
7	VIT0003402	D. 8.4 GROWER SPRING WASHER
8	VIT0004506	M 8 NUT
9	0010018071	DISPENSER SECURING BRACKET
10	VIT0010701	TPF 8 x 50 DOWEL
11	VIT0003303	WASHER D.6.5 x 18 x 1.5
12	VIT0002022	5.5x 60 TAPPING TCB SCREW
13	VIT0000236	E.H SCREW M 6 x 11 + FR
14	ELE0002410	EXTERNAL TRIPOLAR TERMINAL BLOCK
15/a	ELE0055003	POWER LEAD H05VVF 3 x 1.5 SCHUKO PLUG
15/b	ELE0055004	POWER LEAD H0VV-F 3 x 1.5 SC PLUG
15/c	ELE0055006	POWER LEAD H05VVF 3 x 1.5 GB PLUG
16	0270011109CL	SERVICE KEY ASSEMBLY
17	ELE0002009	SAFETY SWITCH
18	0010018116	SAFETY SWITCH SUPPORT
19	VIT0003103	WASHER tab D. 4.3
20	VIT0000012	SCREW T.C.B. M 4 x 10
21	0010015124	DOOR SUPPORTING PLATE
22	VIT0000030	SCREW TCB M4 x 7
23	NL202100278	LOWER LOCK PIN SECURING SQUARE
24/a	0010018115	GROUP HOUSING SUPPORT
24/b	0010015146	GROUP HOUSING SUPPORT
25		
26	0010015132NA	BOTTOM PROTECTION
27	CON0000201	RECTANGULAR BIN
28	0120004375	FRONT PROTECTION
	0120004375AE	FRONT PROTECTION PURE WHITE RAL 9010
	0120004375CF	FRONT PROTECTION ANTHRACITE GREY RAL 7016
	0120004375CG	FRONT PROTECTION LIGHT GREY RAL 7035
	0120004375CH	FRONT PROTECTION AGATA GREY RAL 7038
	0120004375CM	FRONT PROTECTION MERCEDES GREY RAL 9006
	0120004375CN	FRONT PROTECTION SILICIOUS GREY RAL 7032
	0120004375GF	FRONT PROTECTION SULPHUR YELLOW RAL 1016
	0120004375KE	FRONT PROTECTION FIRE RED RAL 3000
	0120004375NA	FRONT PROTECTION BLACK
29	VIT0004503	NUT M 4
30	VIT0009151	PIN
31	VIT0009152	CONNECTION
32/a	0010013181	CONTAINERS SUPPORT
32/b	0010013183	2 WHEELS CONTAINERS SUPPORT
33/a	0010015143	BOILER SIDE PROTECTION
33/b	0010015286	BOILER SIDE PROTECTION (FOR VERSION FB)
34/a	0010015144	BOILER PROTECTION
34/b	0010015287	BOILER PROTECTION (FOR VERSION FB)
35/a	0010015145	STAINLESS STEEL BOILER UPPER PROTECTION
35/b	0010015288	BOILER UPPER PROTECTION (FOR VERSION FB)

LUCE

EXTERNAL DOOR CLOSED STATION



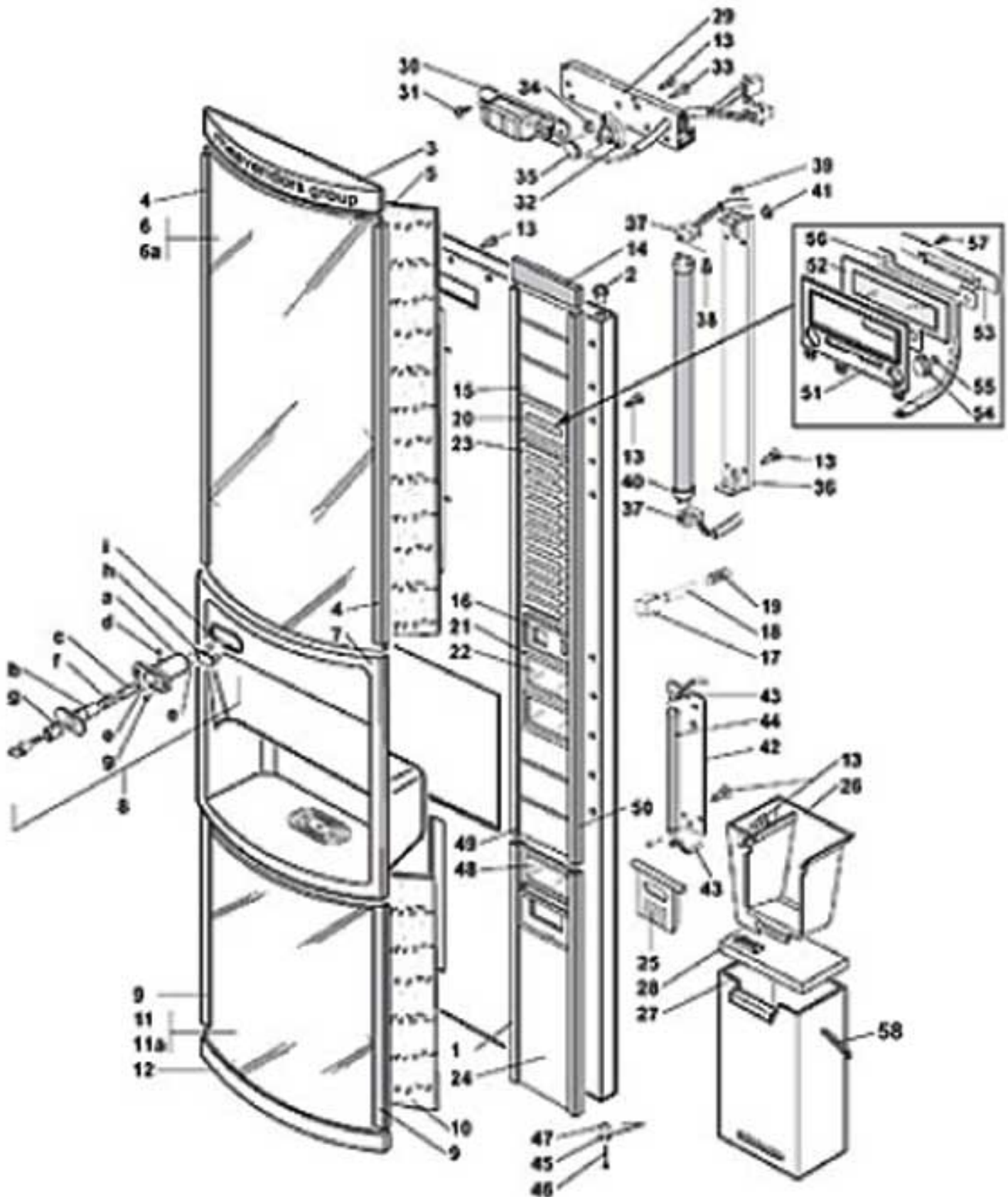
## LUCE EXTERNAL DOOR CLOSED STATION

Pos.	Code	Description
1	0020029505	LUCE CLOSE STATION DOOR
	0020029505AE	LUCE CLOSE STATION DOOR PURE WHITE RAL 9010
	0020029505CF	LUCE CLOSE STATION DOOR ANTHRACITE GREY RAL 7016
	0020029505CH	LUCE CLOSE STATION DOOR AGATA GREY RAL 7038
	0020029505CM	LUCE CLOSE STATION DOOR MERCEDES GREY RAL 9006
	0020029505NA	LUCE CLOSE STATION DOOR BLACK
2	0020034156	DOOR HINGE BUSH
3/a	002003422CG	UPPER SUPPORT WITH BRAND
3/b	002003432NA	UPPER SUPPORT WITH BRAND
4/a	0020034283CG	PHOTO SECURING UPPER FRAME
4/b	0020034283NA	PHOTO SECURING UPPER FRAME
5	0020034293	OPALINE UPPER GLASS
6	0020029441	UPPER PHOTO PROTECTION
6/a	1010065457	UPPER PHOTO WITH AMARETTI
7		See table CUPS STOP CLOSED STATION
8	1150003200	LOCK ASSEMBLY
	1150003200AE	LOCK ASSEMBLY PURE WHITE RAL 9010
	1150003200CF	LOCK ASSEMBLY ANTHRACITE GRAY RAL 7016
	1150003200CF	LOCK ASSEMBLY ANTHRACITE GREY RAL 7016
	1150003200CG	LOCK ASSEMBLY LIGHT GREY RAL 7035
	1150003200CH	LOCK ASSEMBLY AGATA GREY RAL 7038
	1150003200CM	LOCK ASSEMBLY MERCEDES GREY RAL 9006
	1150003200CN	LOCK ASSEMBLY SILICIOUS GREY RAL 7032
	1150003200CT	LOCK ASSEMBLY OPAQUE MERCEDES GREY RAL 9006
	1150003200DA	LOCK ASSEMBLY PEARL LIGHT GREY RAL 9022
	1150003200DB	LOCK ASSEMBLY QUARTZ GREY RAL 7039
	1150003200DD	LOCK ASSEMBLY ALUMINIUM GREY
	1150003200DD	LOCK ASSEMBLY BLUE GREY
	1150003200GF	LOCK ASSEMBLY SULPHUR YELLOW RAL 1016
	1150003200KE	LOCK ASSEMBLY FIRE RED RAL 3000
	1150003200NA	LOCK ASSEMBLY BLACK
8/a	1150003126	LOCK SLEEVE
	1150003126AE	LOCK SLEEVE PURE WHITE RAL 9010
	1150003126CF	LOCK SLEEVE ANTHRACITE GRAY RAL 7016
	1150003126CF	LOCK SLEEVE ANTHRACITE GREY RAL 7016
	1150003126CG	LOCK SLEEVE LIGHT GREY RAL 7035
	1150003126CH	LOCK SLEEVE AGATA GREY RAL 7038
	1150003126CM	LOCK SLEEVE MERCEDES GREY RAL 9006
	1150003126CN	LOCK SLEEVE SILICIOUS GREY RAL 7032
	1150003126CT	LOCK SLEEVE OPAQUE MERCEDES GREY RAL 9006
	1150003126DA	LOCK SLEEVE PEARL LIGHT GREY RAL 9022
	1150003126DB	LOCK SLEEVE QUARTZ GREY RAL 7039
	1150003126DD	LOCK SLEEVE ALUMINIUM GREY
	1150003126DD	LOCK SLEEVE BLUE GREY
	1150003126GF	LOCK SLEEVE SULPHUR YELLOW RAL 1016
	1150003126KE	LOCK SLEEVE FIRE RED RAL 3000
	1150003126NA	LOCK SLEEVE BLACK
8/b	1150002112	LOCK BODY
	1150002112AE	LOCK BODY PURE WHITE RAL 9010
	1150002112CF	LOCK BODY ANTHRACITE GREY RAL 7016
	1150002112CG	LOCK BODY LIGHT GREY RAL 7035
	1150002112CH	LOCK BODY AGATA GREY RAL 7038
	1150002112CI	LOCK BODY TRAFFIC GREY RAL 7042
	1150002112CK	LOCK BODY DUST GREY RAL 7037
	1150002112CM	LOCK BODY MERCEDES GREY RAL 9006
	1150002112CN	LOCK BODY SILICIOUS GRAY RAL 7032
	1150002112CT	LOCK BODY OPAQUE MERCEDES GREY RAL 90
	1150002112DA	LOCK BODY PEARL LIGHT GREY RAL 9022
	1150002112DB	LOCK BODY QUARTZ GREY RAL 7039
	1150002112DD	LOCK BODY ALUMINIUM GREY
	1150002112DD	LOCK BODY BLUE GREY
	1150002112GF	LOCK BODY SULPHUR YELLOW RAL 1016
	1150002112KE	LOCK BODY FIRE RED RAL 3000
	1150002112NA	LOCK BODY BLACK
8/c	1150002111	LOCK PIN
8/d	VIT0005203	4 x 18 CYLINDRICAL PIN
8/e	VIT0006508	D.10 RADIAL STOP RING
8/f	1150002113	SPRING
8/g	SEI0000003	C 5 TUBULAR LOCK
8/h	0020029439	LOCK BRACKET
8/i	VIT0000208	M 5x10 H.H. SCREW
9/a	0020034295CG	PHOTO SECURING LOWER FRAME
9/b	0020034295NA	PHOTO SECURING LOWER FRAME
10	0020029442	OPALINE LOWER GLASS
11	0020029442	LOWER PHOTO PROTECTION
11/a	1010065459	LOWER PHOTO WITH AMARETTI
12/a	0020034281CG	ROUNDED LOWER SUPPORT
12/b	0020034281NA	ROUNDED LOWER SUPPORT
13	VIT0000401	SCREW TCB 3.5 x 9.5
14/a	0020034278CG	UPPER SUPPORT
14/b	0020034278NA	UPPER SUPPORT
15/a	0020026341CG	
15/b	0020026341NA	
16/a	0020026343CG	
16/b	0020026343NA	
17	4050010072CK	COIN RETURN BUTTON
18	0020034023	COIN RETURN PIN
19	4050010074	COIN RETURN BUTTON SPRING
20/a	0020029454CG	RAL 7035 DISPLAY GLASS FOR OLD ELECTRONIC VERSION
20/b	0020029611CG	RAL 7035 DISPLAY GLASS FOR NEW ELECTRONIC VERSION
20/c	0020029611CF	RAL 7016 DISPLAY GLASS FOR NEW ELECTRONIC VERSION
20/d	0020029611CF	DISPLAY GLASS (TRAFFIC GREY RAL 7042) FOR NEW ELECTRONIC VERSION
21/a	0020026342CG	
21/b	0020026342NA	
22	0020026351	INSTRUCTION GLASS
23		See table KEYBOARD
24/a	0020034279CG	LOWER SUPPORT
24/b	0020034279NA	LOWER SUPPORT
25	0020018162CK	COIN RETURN HATCH
26	0020029444	COIN ACCEPT-RETURN CHUTE ASSEMBLY
27	0030006105	COIN SHEET COVER
28/a	003000624R	COIN BOX COVER ASSEMBLY
28/b	0020029474	COIN BOX FIXING COVER
29	0020029427	ELECTRIC COMPONENTS UPPER SUPPORT
30	ELE0009105	220 V 30 W BALLAST
31	VIT0002002	SCREW TCB 3.5x6.5
32	ELE0009102	111 AU STARTER-HOLDER
33	VIT0000014	M 4x16 TCB SCREW
34	VIT00004503	NUT M 4
35	ELE0009109	STARTER
36	0020034307	LAMP SUPPORT
37	ELE0009101	LAMP HOLDER
38	VIT0000006	M 3x16 TCB SCREW
39	VIT00004701	M3 FR NUT
40	ELE0009017	FLU F-18 LAMP
41	GU00010501	MEMBRANE CORE HITCH Ø 7.5
42	0020029112	NEON HOUSING CLOSING SHEET
43	ELE0009107	BIPLUG G 13 LAMP HOLDER
44	ELE0009018	L 8 W 20 LAMP
45	0020034172	DOOR STOP ROD
46	0020034173	PIN FOR DOOR STOP ROD
47	VIT00007102	BENZING-QUICK LOCK
48	0020029457	COINS RETURN GLASS
49	0020029422	KEYBOARD GLASS LEFT PROFILE
	0020029422CG	KEYBOARD GLASS LEFT PROFILE LIGHT GREY RAL 7035
	0020029422CH	KEYBOARD GLASS LEFT PROFILE AGATA GREY RAL 7038
	0020029422CM	KEYBOARD GLASS LEFT PROFILE MERCEDES GREY RAL 9006
	0020029422KE	KEYBOARD GLASS LEFT PROFILE FIRE RED RAL 3000
	0020029422KF	KEYBOARD GLASS LEFT PROFILE RUBY RED RAL 3003
	0020029422NA	KEYBOARD GLASS LEFT PROFILE BLACK
50	0020029423	KEYBOARD GLASS RIGHT PROFILE
	0020029423CG	KEYBOARD GLASS RIGHT PROFILE LIGHT GREY RAL 7035
	0020029423CH	KEYBOARD GLASS RIGHT PROFILE AGATA GREY RAL 7038
	0020029423CM	KEYBOARD GLASS RIGHT PROFILE MERCEDES GREY RAL 9006
	0020029423KE	KEYBOARD GLASS RIGHT PROFILE FIRE RED RAL 3000
	0020029423KF	KEYBOARD GLASS RIGHT PROFILE RUBY RED RAL 3003
	0020029423NA	KEYBOARD GLASS RIGHT PROFILE BLACK
51	0020029626	SUGAR MODULE DISPLAY WITH SUGAR
	0020029626CF	SUGAR MODULE DISPLAY WITH SUGAR ANTHRACITE GRAY RAL 7016
	0020029626CG	SUGAR MODULE DISPLAY WITH SUGAR LIGHT GREY RAL 7035
	0020029626CH	SUGAR MODULE DISPLAY WITH SUGAR AGATA GREY RAL 7037
	0020029626CS	SUGAR MODULE DISPLAY WITH SUGAR BMW GREY 237
	0020029626NA	SUGAR MODULE DISPLAY WITH SUGAR BLACK
52	0020029631NA	BLACK LED DISPLAY GLASS
53	0020034309	KEYBOARD LOWER SUPPORT
54	0020034309	SELECTION BUTTON
	0020034305AB	SELECTION BUTTON WHITE RAL 9016
	0020034305CG	SELECTION BUTTON LIGHT GREY RAL 7035
	0020034305CK	SELECTION BUTTON DUST GREY RAL 7037

## LUCE - EXTERNAL DOOR CLOSED STATION

Pos.	Code	Description	
	0020034305CP	SELECTION BUTTON WINDOW GREY RAL 7040	
	0020034305IC	SELECTION BUTTON ORANGE RAL 2011	
	0020034305KA	SELECTION BUTTON SIGNAL RED RAL 3020	
	0020034305PB	SELECTION BUTTON BLUE RAL 5014	
	0020034305PG	SELECTION BUTTON LIGHT BLUE RAL 5012	
55	0020034311	FEELER SPRING	
56	0020029630	2-KEY SUGAR KEYBOARD	
57	VIT0002401	SCREW TCB 3.5 x 9.5	
58	4060010113	COIN BOX HOOK	
100	0030006100R	COIN BOX + COVER	assieme
101	0020029503R	BLACK DOOR ASSEMBLY	assieme

## LUCE EXTERNAL DOOR OPEN STATION



## LUCE EXTERNAL DOOR OPEN STATION

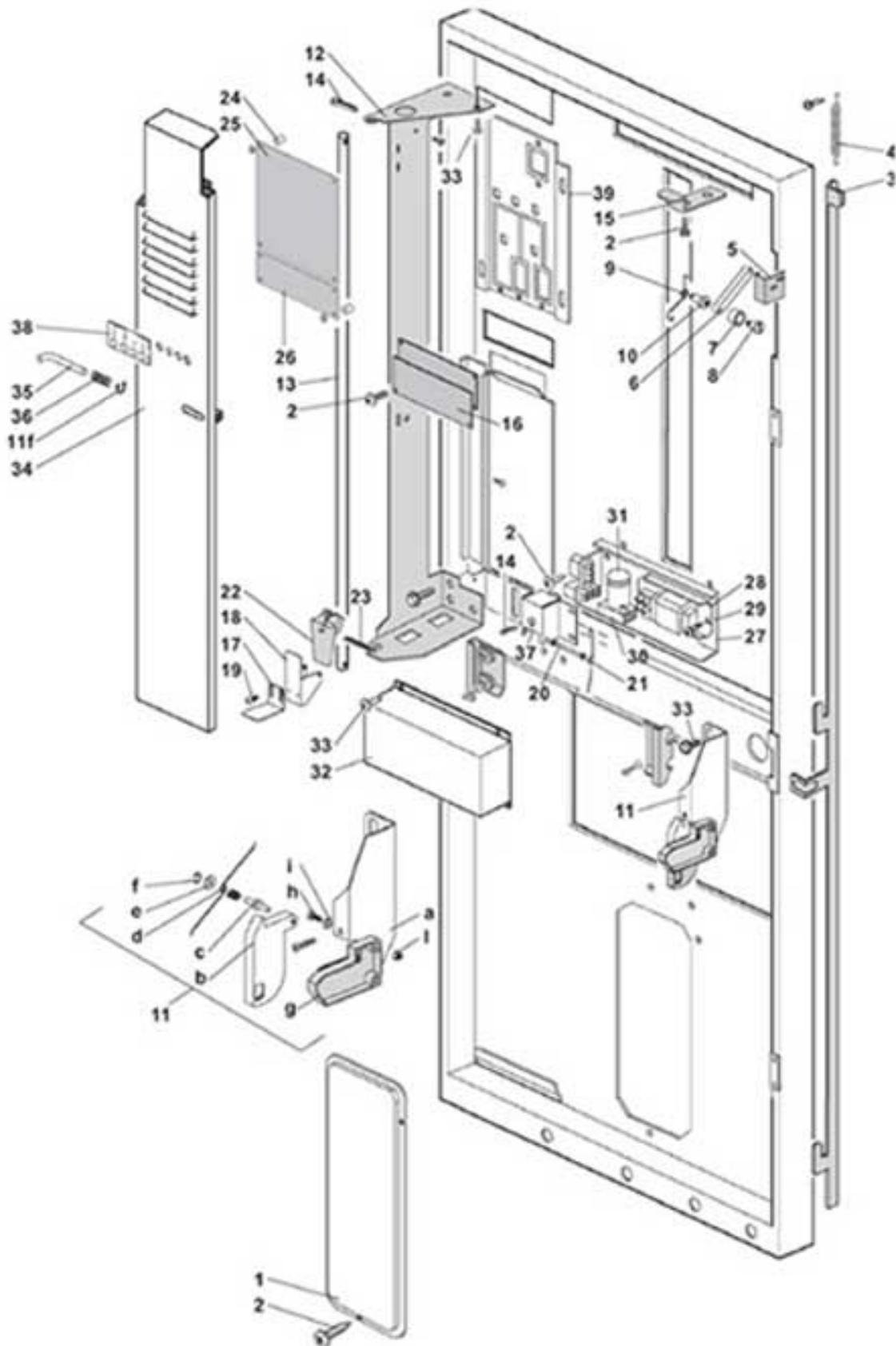
Pos.	Code	Description
1	0020029405	DOOR CASING
	0020029405AE	DOOR CASING PURE WHITE RAL 9010
	0020029405CF	DOOR CASING ANTHRACITE GREY RAL 7016
	0020029405CH	DOOR CASING AGATA GREY RAL 7038
	0020029405CM	DOOR CASING MERCEDES GREY RAL 9006
	0020029405NA	DOOR CASING BLACK
2	0020034158	DOOR HINGE BUSH
3/a	002003422CG	UPPER SUPPORT WITH BRAND
3/b	002003432NA	UPPER SUPPORT WITH BRAND
4/a	0020034283CG	PHOTO SECURING UPPER FRAME
4/b	0020034283NA	PHOTO SECURING UPPER FRAME
5	0020034293	OPALINE UPPER GLASS
6	0020029441	UPPER PHOTO PROTECTION
6/a	1010065457	UPPER PHOTO WITH AMARETTI
7		See table CUPS STOP OPEN STATION
8	1150003200	LOCK ASSEMBLY
	1150003200AE	LOCK ASSEMBLY PURE WHITE RAL 9010
	1150003200CF	LOCK ASSEMBLY ANTHRACITE GRAY RAL 7016
	1150003200CF	LOCK ASSEMBLY ANTHRACITE GREY RAL 7016
	1150003200CG	LOCK ASSEMBLY LIGHT GREY RAL 7035
	1150003200CH	LOCK ASSEMBLY AGATA GREY RAL 7038
	1150003200CM	LOCK ASSEMBLY MERCEDES GREY RAL 9006
	1150003200CN	LOCK ASSEMBLY SILICIOUS GREY RAL 7032
	1150003200CT	LOCK ASSEMBLY OPAQUE MERCEDES GREY RAL 9006
	1150003200DA	LOCK ASSEMBLY PEARL LIGHT GREY RAL 9022
	1150003200DB	LOCK ASSEMBLY QUARTZ GREY RAL 7039
	1150003200DD	LOCK ASSEMBLY ALUMINIUM GREY
	1150003200DD	LOCK ASSEMBLY BLUE GREY
	1150003200GF	LOCK ASSEMBLY SULPHUR YELLOW RAL 1016
	1150003200KE	LOCK ASSEMBLY FIRE RED RAL 3000
	1150003200NA	LOCK ASSEMBLY BLACK
8/a	1150003126	LOCK SLEEVE
	1150003126AE	LOCK SLEEVE PURE WHITE RAL 9010
	1150003126CF	LOCK SLEEVE ANTHRACITE GRAY RAL 7016
	1150003126CF	LOCK SLEEVE ANTHRACITE GREY RAL 7016
	1150003126CG	LOCK SLEEVE LIGHT GREY RAL 7035
	1150003126CH	LOCK SLEEVE AGATA GREY RAL 7038
	1150003126CM	LOCK SLEEVE MERCEDES GREY RAL 9006
	1150003126CN	LOCK SLEEVE SILICIOUS GREY RAL 7032
	1150003126CT	LOCK SLEEVE OPAQUE MERCEDES GREY RAL 9006
	1150003126DA	LOCK SLEEVE PEARL LIGHT GREY RAL 9022
	1150003126DB	LOCK SLEEVE QUARTZ GREY RAL 7039
	1150003126DD	LOCK SLEEVE ALUMINIUM GREY
	1150003126DD	LOCK SLEEVE BLUE GREY
	1150003126GF	LOCK SLEEVE SULPHUR YELLOW RAL 1016
	1150003126KE	LOCK SLEEVE FIRE RED RAL 3000
	1150003126NA	LOCK SLEEVE BLACK
8/b	1150002112	LOCK BODY
	1150002112AE	LOCK BODY PURE WHITE RAL 9010
	1150002112CF	LOCK BODY ANTHRACITE GREY RAL 7016
	1150002112CG	LOCK BODY LIGHT GREY RAL 7035
	1150002112CH	LOCK BODY AGATA GREY RAL 7038
	1150002112CI	LOCK BODY TRAFFIC GREY RAL 7042
	1150002112CK	LOCK BODY DUST GREY RAL 7037
	1150002112CM	LOCK BODY MERCEDES GREY RAL 9006
	1150002112CN	LOCK BODY SILICIOUS GRAY RAL 7032
	1150002112CT	LOCK BODY OPAQUE MERCEDES GREY RAL 90
	1150002112DA	LOCK BODY PEARL LIGHT GREY RAL 9022
	1150002112DB	LOCK BODY QUARTZ GREY RAL 7039
	1150002112DD	LOCK BODY ALUMINIUM GREY
	1150002112DD	LOCK BODY BLUE GREY
	1150002112GF	LOCK BODY SULPHUR YELLOW RAL 1016
	1150002112KE	LOCK BODY FIRE RED RAL 3000
	1150002112NA	LOCK BODY BLACK
8/c	1150002111	LOCK PIN
8/d	V110005203	4 x 18 CYLINDRICAL PIN
8/e	V110006508	D.10 RADIAL STOP RING
8/f	1150002113	SPRING
8/g	SE10000003	G 5 TUBULAR LOCK
8/h	0020029439	LOCK BRACKET
8/i	V110000208	M 5x10 H.H. SCREW
9/a	0020034295CG	PHOTO SECURING LOWER FRAME
9/b	0020034295NA	PHOTO SECURING LOWER FRAME
10	0020034291CG	OPALINE LOWER GLASS
11	0020029442	LOWER PHOTO PROTECTION
11/a	1010065459	LOWER PHOTO WITH AMARETTI
12/a	0020034281CG	ROUNDED LOWER SUPPORT
12/b	0020034281NA	ROUNDED LOWER SUPPORT
13	V110004901	SCREW TCB 3.5 x 9.5
14/a	0020034278CG	UPPER SUPPORT
14/b	0020034278NA	UPPER SUPPORT
15/a	0020026341CG	
15/b	0020026341NA	
16/a	0020026343CG	
16/b	0020026343NA	
17	4050010072CK	COIN RETURN BUTTON
18	00200342023	COIN RETURN PIN
19	4050000704	COIN RETURN BUTTON SPRING
20/a	0020022673NA	DISPLAY GLASS FOR OLD ELECTRONIC VERSION
20/b	0020022673CF	DISPLAY GLASS FOR OLD ELECTRONIC VERSION
20/c	0020022673CI	DISPLAY GLASS (TRAFFIC GREY RAL 7042) FOR OLD ELECTRONIC VERSION
20/d	0020029454CG	RAL 7035 DISPLAY GLASS FOR OLD ELECTRONIC VERSION
20/e	0020029454CF	RAL 7035 DISPLAY GLASS FOR NEW ELECTRONIC VERSION
20/f	0020029611CF	RAL 7016 DISPLAY GLASS FOR NEW ELECTRONIC VERSION
20/g	0020029611CI	DISPLAY GLASS (TRAFFIC GREY RAL 7042) FOR NEW ELECTRONIC VERSION
21/a	0020026342CG	
21/b	0020026342NA	
22	0020026351	INSTRUCTION GLASS
23		See table KEYBOARD
24/a	0020034279CG	LOWER SUPPORT
24/b	0020034279NA	LOWER SUPPORT
25/a	0020018162CK	COIN RETURN HATCH
25/b	0020018162CF	COIN RETURN HATCH
	0020018162CA	COIN RETURN HATCH DOVE GREY RAL 7006
	0020018162CF	COIN RETURN HATCH ANTHRACITE GRAY RAL 7016
	0020018162CK	COIN RETURN HATCH DUST GREY RAL 7037
	0020018162CF	COIN RETURN HATCH WINDOW GREY RAL 7040
	0020018162GA	COIN RETURN HATCH Acid Yellow Y53163
	0020018162GC	COIN RETURN HATCH MELON YELLOW RAL 7017
	0020018162GD	COIN RETURN HATCH GRAPES YELLOW PANTONE 610C
	0020018162KA	COIN RETURN HATCH SIGNAL RED RAL 3020
	0020018162NA	COIN RETURN HATCH BLACK
26	0020029444	COIN ACCEPT-RETURN CHUTE ASSEMBLY
27	0030006105	COIN SHEET COVER
28/a	0030006004R	COIN BOX COVER ASSEMBLY
28/b	0020029754	COIN BOX FIXING COVER
29	0020029427	ELECTRIC COMPONENTS UPPER SUPPORT
30	ELE0009105	220 V 30 W BALLAST
31	V110002002	SCREW TCB 3.5x6.5
32	ELE0009102	111 AU STARTER HOLDER
33	V110000014	M 4x16 TCB SCREW
34	V110004503	NUT M 4
35	ELE0009109	STARTER
36	0020034307	LAMP SUPPORT
37	ELE0009101	LAMP HOLDER
38	V110000095	M 3x16 TCB SCREW
39	V110004701	M 5 FR NUT
40	ELE0009017	FLU. F. 18 LAMP
41	GU00010501	MEMBRANE CORE HITCH Ø 7.5
42	0020029117	NEON HOUSING CLOSING SHEET
43	ELE0009107	BIPLUG G 13 LAMP HOLDER
44	ELE0009018	18 W 20 LAMP
45	0020034172	DOOR STOP ROD
46	0020034173	PIN FOR DOOR STOP ROD
47	V110007102	BENZING QUICK LOCK
48	0020029457	COIN RETURN GLASS
49	0020029422	KEYBOARD GLASS LEFT PROFILE
	0020029422CG	KEYBOARD GLASS LEFT PROFILE LIGHT GREY RAL 7035
	0020029422CH	KEYBOARD GLASS LEFT PROFILE AGATA GREY RAL 7038
	0020029422CM	KEYBOARD GLASS LEFT PROFILE MERCEDES GREY RAL 9006
	0020029422CF	KEYBOARD GLASS LEFT PROFILE FIRE RED RAL 3000
	0020029422KF	KEYBOARD GLASS LEFT PROFILE RUBY RED RAL 3003
	0020029422NA	KEYBOARD GLASS LEFT PROFILE BLACK
50	0020029423	KEYBOARD GLASS RIGHT PROFILE
	0020029423CG	KEYBOARD GLASS RIGHT PROFILE LIGHT GREY RAL 7035
	0020029423CH	KEYBOARD GLASS RIGHT PROFILE AGATA GREY RAL 7038
	0020029423CM	KEYBOARD GLASS RIGHT PROFILE MERCEDES GREY RAL 9006
	0020029423KE	KEYBOARD GLASS RIGHT PROFILE FIRE RED RAL 3000
	0020029423KF	KEYBOARD GLASS RIGHT PROFILE RUBY RED RAL 3003



## LUCE - EXTERNAL DOOR OPEN STATION

Pos.	Code	Description	
	0020029423NA	KEYBOARD GLASS RIGHT PROFILE BLACK	
51	0020029626	SUGAR MODULE DISPLAY WITH SUGAR	
	0020029626CF	SUGAR MODULE DISPLAY WITH SUGAR ANTHRACITE GRAY RAL 7016	
	0020029626CG	SUGAR MODULE DISPLAY WITH SUGAR LIGHT GRAY RAL 7035	
	0020029626CK	SUGAR MODULE DISPLAY WITH SUGAR DUST GREY RAL 7037	
	0020029626CS	SUGAR MODULE DISPLAY WITH SUGAR BMW GREY Z37	
	0020029626NA	SUGAR MODULE DISPLAY WITH SUGAR BLACK	
52	0020029631NA	BLACK LED DISPLAY GLASS	
53	0020029629	KEYBOARD LOWER SUPPORT	
54	0020034305	SELECTION BUTTON	
	0020034305AB	SELECTION BUTTON WHITE RAL 9016	
	0020034305CG	SELECTION BUTTON LIGHT GREY RAL 7035	
	0020034305CK	SELECTION BUTTON DUST GREY RAL 7037	
	0020034305CP	SELECTION BUTTON WINDOW GREY RAL 7040	
	0020034305IC	SELECTION BUTTON ORANGE RAL 2011	
	0020034305KA	SELECTION BUTTON SIGNAL RED RAL 3020	
	0020034305PB	SELECTION BUTTON BLUE RAL 5014	
	0020034305PG	SELECTION BUTTON LIGHT BLUE RAL 5012	
55	0020034311	FEELER SPRING	
56	0020029630	2-KEY SUGAR KEYBOARD	
57	VIT0002401	SCREW TCB 3.5 x 9.5	
58	4060010113	COIN BOX HOOK	
100	0030006100R	COIN BOX + COVER	assieme
101	0020029503R	BLACK DOOR ASSEMBLY	assieme

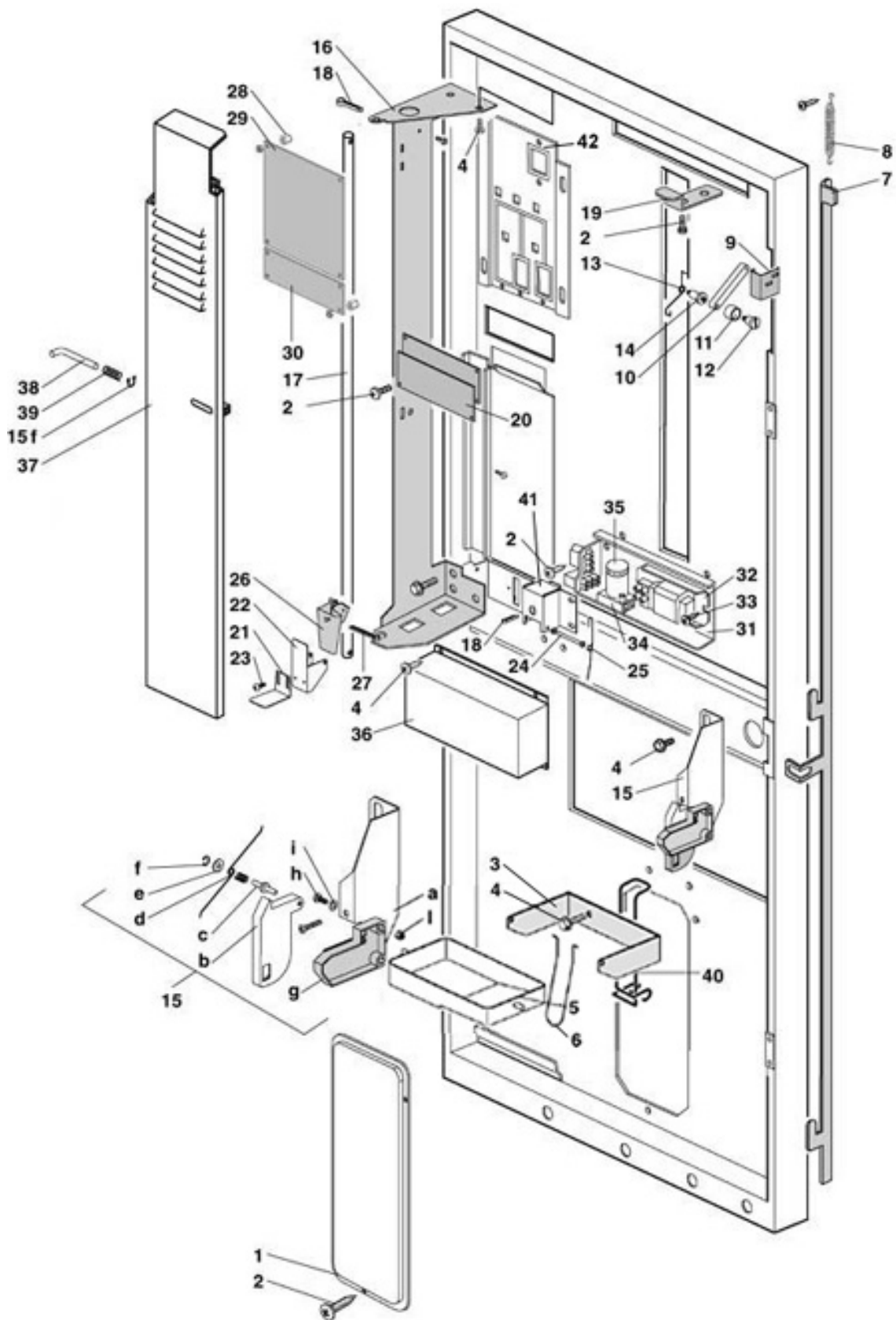
## LUCE LIGHTED DOOR CLOSED STATION



## LUCE LIGHTED DOOR CLOSED STATION

Pos.	Code	Description
1	0020029432	LAMP SUPPORT LOWER PROTECTION
2	VIT0002401	SCREW TCB 3.5 x 9.5
3	0020029437	LOCK PIN
4	2100002007	CUPS LOADER SPRING
5	NL202100275	UPPER LOCK PIN SECURING SQUARE
6	0010018026	DOOR CENTERING LEVER
7	0010015125	LEVER PIN ROLL
8	0010018028	DOOR CENTRERING ROLL PIN
9	NL202100285	LEVER RETURN SPRING
10	NL202100276	DOOR CENTERING LEVER PIN
11	0020022626R	CUPS LOADER CONNECTION ASSEMBLY
11/a	0020022626	CUPS LOADER SUPPORT
11/b	0020018227NA	CUP LOADER HOOK
11/c	0020018234	CONNECTING PLATE PIN
11/d	0020018237	CONNECTING SPRING
11/e	VIT0003004	5.3x10x1 WASHER
11/f	VIT0006502	D.3.2 RADIAL STOP RING
11/g	0020018241	LOADER SUPPORTING PLATE
11/h	VIT0000003	M 3x8 TCB SCREW
11/i	VIT0003102	WASHER tab D. 3.2
11/l	VIT0004502	M3 NUT
12	0020029434	CUPS LOADER SUPPORT
13	0180011818	CUPS LOADER HINGE PIN
14	VIT0006004	1.5x15 PIN
15	0270011452	CONTRAST SQUARE
16	see tab. 26	
17	0020026322	COIN RETURN LOWER BRACKET
18	0020034025	COIN RETURN UPPER LEVER
19	VIT0000030	SCREW TCB M4 x 7
20	0020034187	PIN
21	0020005013	COIN RETURN LEVER SPRING
22	0020034045NA	
23	VIT0007005	1.5x40 PIN
24	0020018125	BOARD SPACER
25		See table NEW ELECTRONIC CONTROL AND POWER LOGIC
26		See table NEW ELECTRONIC CONTROL AND POWER LOGIC
27	0020029429	ELECTRIC COMPONENTS LOWER SUPPORT
28	ELE0009116	220 V BALLAST
29	VIT0002002	SCREW TCB 3.5x6.5
30	ELE0009108	L 8 W 20 LAMP
31	ELE0009109	STARTER
32	0020029433	ELECTRIC OMPONENTS PROTECTION
33	VIT0000236	E.H SCREW M 6 x 11 + FR
34/a	0020029426	COIN BOX PROTECTION
34/b	0020029612	COIN BOX PROTECTION (for new electronics version)
35	0020026335	LOCK
36	4001003301	CONTAINER SECURING PIN SPRING
37	0020029294	COINS MODULE COVER
38	0020029637	WASHING PROGRAM KEYBOARD LABEL
39	0020029456	HOUSING CLOSING SHEET

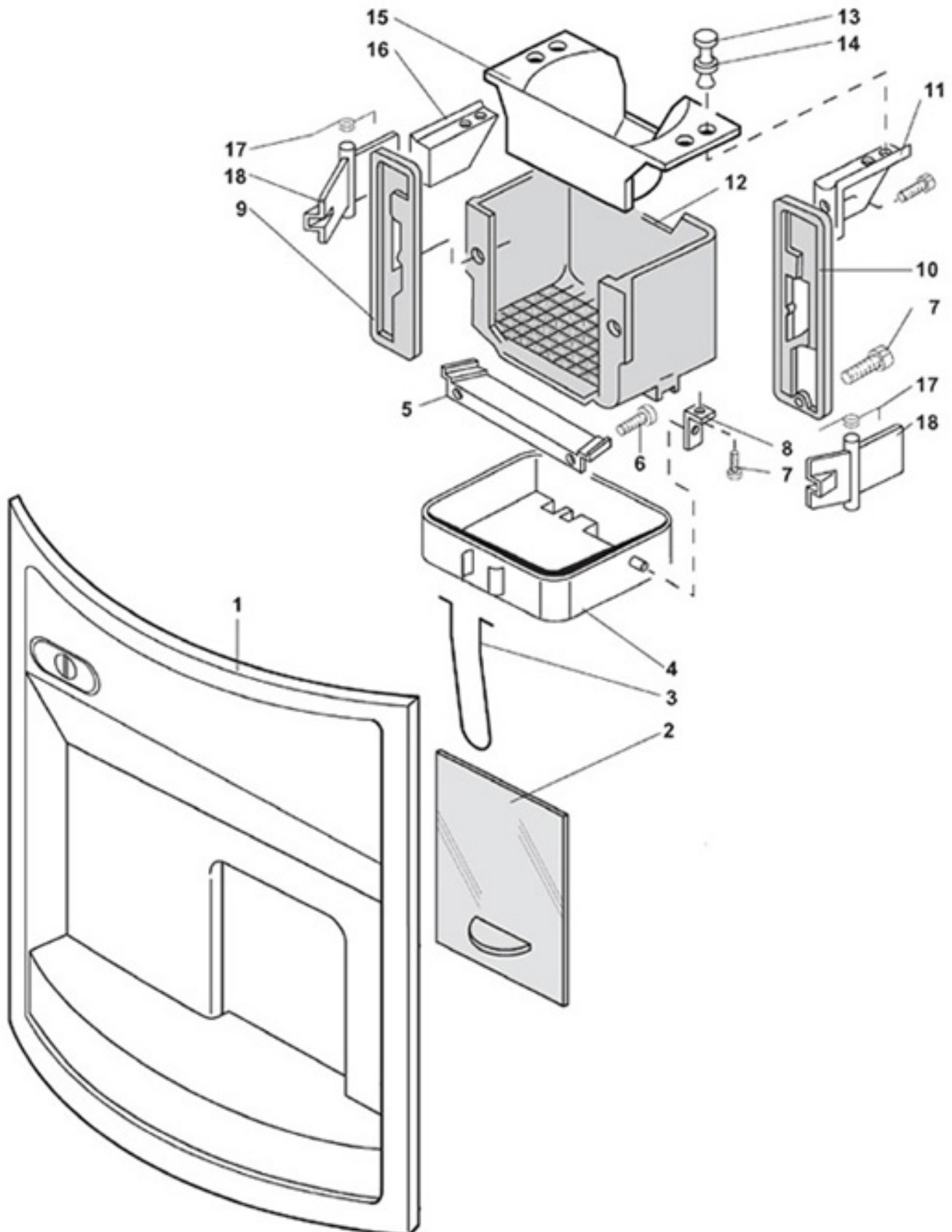
## LUCE LIGHTED DOOR OPEN STATION



## LUCE LIGHTED DOOR OPEN STATION

Pos.	Code	Description
1	0020029432	LAMP SUPPORT LOWER PROTECTION
2	VIT0002401	SCREW TCB 3.5 x 9.5
3	0150001103	FEEDER SUPPORT
4	VIT0000236	E.H SCREW M 6 x 11 + FR
5	0150001104NA	FEEDER
6	0150001105	FEEDER COUNTERPART
7	0020029437	LOCK PIN
8	2100002007	CUPS LOADER SPRING
9	NL202100275	UPPER LOCK PIN SECURING SQUARE
10	0010018026	DOOR CENTERING LEVER
11	0010015125	LEVER PIN ROLL
12	0010018028	DOOR CENTRERING ROLL PIN
13	NL202100285	LEVER RETURN SPRING
14	NL202100276	DOOR CENTERING LEVER PIN
15	0020022626R	CUPS LOADER CONNECTION ASSEMBLY
15/a	0020022626	CUPS LOADER SUPPORT
15/b	0020018227NA	CUP LOADER HOOK
15/c	0020018234	CONNECTING PLATE PIN
15/d	0020018237	CONNECTING SPRING
15/e	VIT0003004	5.3x10x1 WASHER
15/f	VIT0006502	D.3.2 RADIAL STOP RING
15/g	0020018241	LOADER SUPPORTING PLATE
15/h	VIT0000003	M 3x8 TCB SCREW
15/i	VIT0003102	WASHER tab D. 3.2
15/l	VIT0004502	M3 NUT
16	0020029434	CUPS LOADER SUPPORT
17	0180011818	CUPS LOADER HINGE PIN
18	VIT0006004	1.5x15 PIN
19	0270011452	CONTRAST SQUARE
20	see tab. 26	
21	0020026322	COIN RETURN LOWER BRACKET
22	0020034025	COIN RETURN UPPER LEVER
23	VIT0000030	SCREW TCB M4 x 7
24	0020034187	PIN
25	0020005013	COIN RETURN LEVER SPRING
26	0020034045NA	
27	VIT0007005	1.5x40 PIN
28	0020029113	CPU BOARD SPACER
29		See table CONTROL AND POWER LOGIC
30		See table CONTROL AND POWER LOGIC
31	0020029429	ELECTRIC COMPONENTS LOWER SUPPORT
32	ELE0009116	220 V BALLAST
33	VIT0002002	SCREW TCB 3.5x6,5
34	ELE0009108	L 8 W 20 LAMP
35	ELE0009109	STARTER
36	0020029433	ELECTRIC OMPONENTS PROTECTION
37/a	0020029426	COIN BOX PROTECTION
37/b	0020029612	COIN BOX PROTECTION (for new electronics version)
38	0020026335	LOCK
39	4001003301	CONTAINER SECURING PIN SPRING
40	0150001102	GRATE SAFETY SPRING
41	0020029294	COINS MODULE COVER
42	0020029456	HOUSING CLOSING SHEET
43	0020029637	WASHING PROGRAM KEYBOARD LABEL

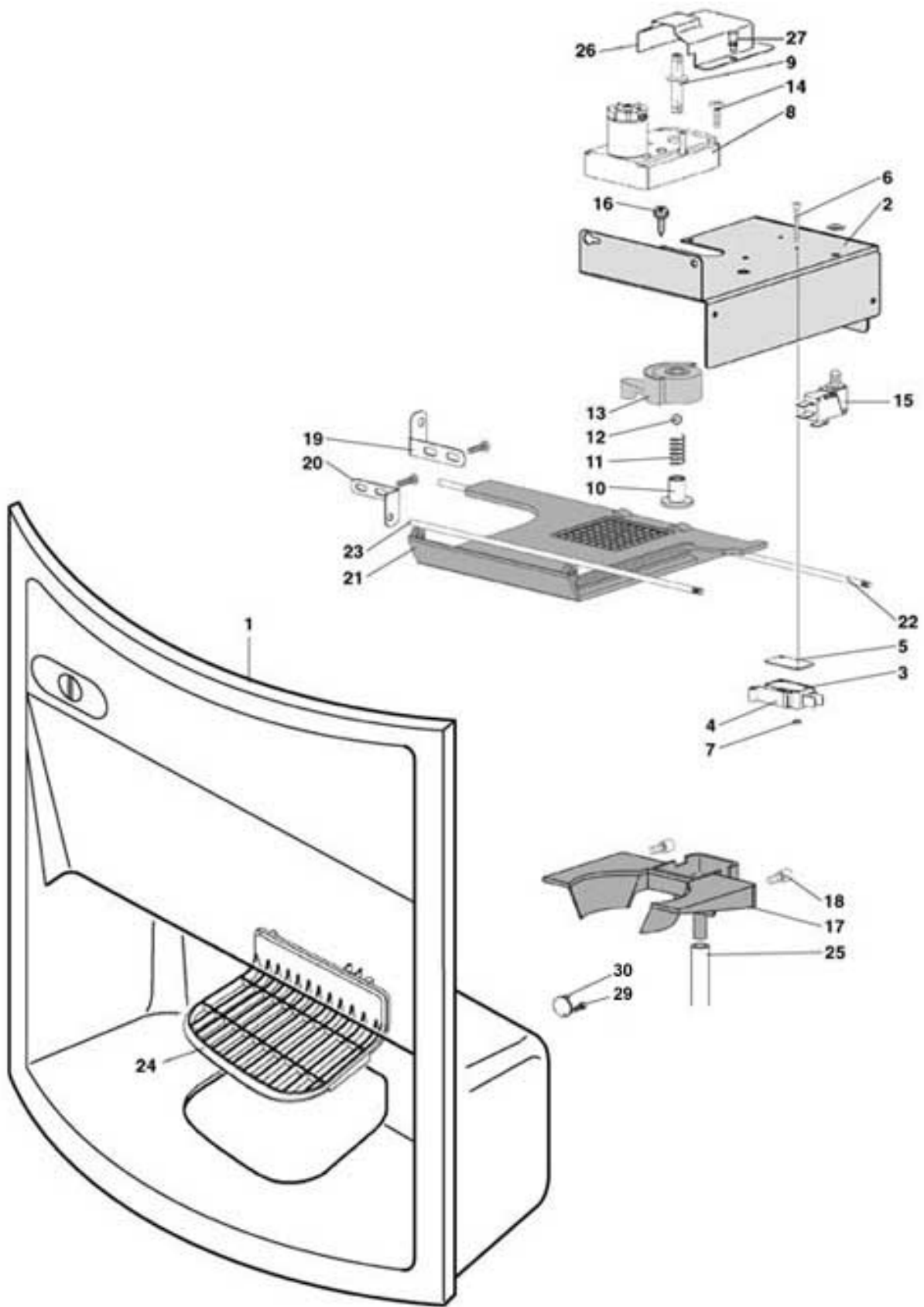
## LUCE CUPS STOP CLOSED STATION



## LUCE CUPS STOP CLOSED STATION

Pos.	Code	Description	
1	0400008433	CUPS STATION FRAME	
	0400008433CF	CUPS STATION FRAME ANTHRACITE GRAY RAL 7016	
	0400008433CG	CUPS STATION FRAME LIGHT GREY RAL 7035	
	0400008433CH	CUPS STATION FRAME AGATA GREY RAL 7038	
	0400008433CM	CUPS STATION FRAME MERCEDES GREY RAL 9006	
	0400008433NA	CUPS STATION FRAME BLACK	
2	0400008009/2	CUPS STOP HATCH	
3	0150001053	FEEDER COUNTERPART	
4	0150001052	FEEDER	*
	0150001052CA	FEEDER DOVE GREY RAL 7006	
	0150001052CB	FEEDER SAND GREY 153155	
	0150001052NA	FEEDER BLACK	
5	0150001056	DRIP TRAP	
6	VIT0002469	SCREW TC 3.5 x 10	
7	VIT0002001	TCB 2.9x 6.5 TAPPING SCREW	
8	0400008101NA	FEEDER SUPPORT	
9	0400007027NA	R.H. SUPPORT	
10	0400007014NA	L.H. SUPPORT	
11	0400006026NA	L.H. BRACKET	
12	0400007003NA	CUP STOP SUPPORT	
13	VIT0007105	BUTTON It's part of kit VIT0007104R	
14	VIT0007104	BUSH It's part of kit VIT0007104R	
15	0400006033NA	CUP SUPPORT	
16	0400006011NA	R.H. BRACKET	
17	0400007021	LOCKING SPRING	
18	0400007017	LOCKING PLATE	*
	0400007017CA	LOCKING PLATE DOVE GREY RAL 7006	
	0400007017NA	LOCKING PLATE BLACK	
100	0020022622CL	CUP MOVEMENT ASSEMBLY	assieme

## LUCE CUPS STOP OPEN STATION



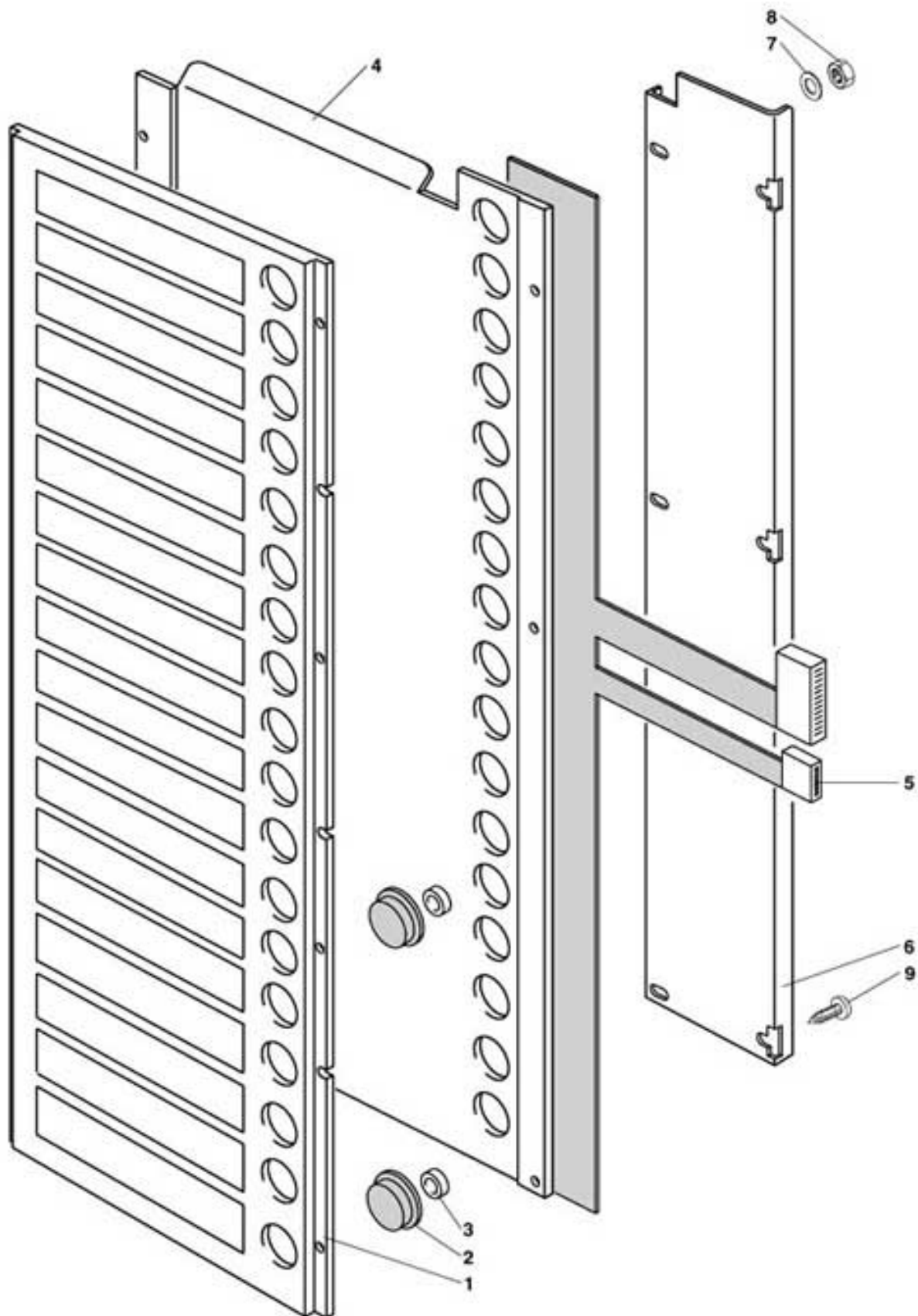


## LUCE CUPS STOP OPEN STATION

Pos.	Code	Description
1/a	0400008441	CUPS STATION FRAME
	0400008441CF	CUPS STATION FRAME ANTHRACITE GREY RAL 7016
	0400008441CG	CUPS STATION FRAME LIGHT GREY RAL 7035
	0400008441CM	CUPS STATION FRAME MERCEDES GREY RAL 9006
	0400008441NA	CUPS STATION FRAME BLACK
1/b	0400008818	CUPS STATION FRAME
	0400008818CF	CUPS STATION FRAME ANTHRACITE GREY RAL 7016
	0400008818CG	CUPS STATION FRAME LIGHT GREY RAL 7035
	0400008818CM	CUPS STATION FRAME MERCEDES GREY RAL 9006
	0400008818NA	CUPS STATION FRAME BLACK
2	0020022623	GEAR MOTOR SECURING PLATE
3	ELE0001522	1-WAY 16 A 250 V MICROSWITCH
4	ELE0001906	161 E R 24.1 MICRO LEVER
5	4600010014	MICRO SPACER
6	VIT0000104	M 3x16 TSP SCREW
7	VIT0004502	M3 NUT
8	0090002109	24V D.C. GEAR MOTOR 24 R.P.M.
9	0020022678	MOTOR SHAFT
10	0020022672	GEAR MOTOR FLANGE
11	0020022674	SPRING
12	VIT0009306	BALL 5/32
13	0020022624	CLOSING CAM
14	VIT0000014	M 4x16 TCB SCREW
15	ELE0001506	MICROSWITCH 83.131.8-IW3M
16	VIT0000030	SCREW TCB M4 x 7
17	0020029458NA	CUPS SUPPORT
18	0020034188	COIN BOX PROTECTION SCREW
19	0020022644	LOWER PIN SUPPORT
20	0020022635	UPPER PIN SUPPORT
21	0020022616NA	CUPS ROOM CLOSING
22	0020022647	LOWER GUIDE PIN
23	0020022634	CLOSING GUIDE PIN
24/a	0400008442NA	CUPS STOP GRATE
24/b	0400008823NA	CUPS STOP GRATE
25	TSIL10/14M	D.10x14 BROWN SILICONE PIPE
26	0020029431	STOP DISK
27/a	VIT0007105	BUTTON It's part of kit VIT0007104R
27/b	VIT0007104	BUSH It's part of kit VIT0007104R
29	0020029509	LOCKING GRATE SCREW
30	0260010104	STOP DISK
100	0020022622CL	CUP MOVEMENT ASSEMBLY

assieme

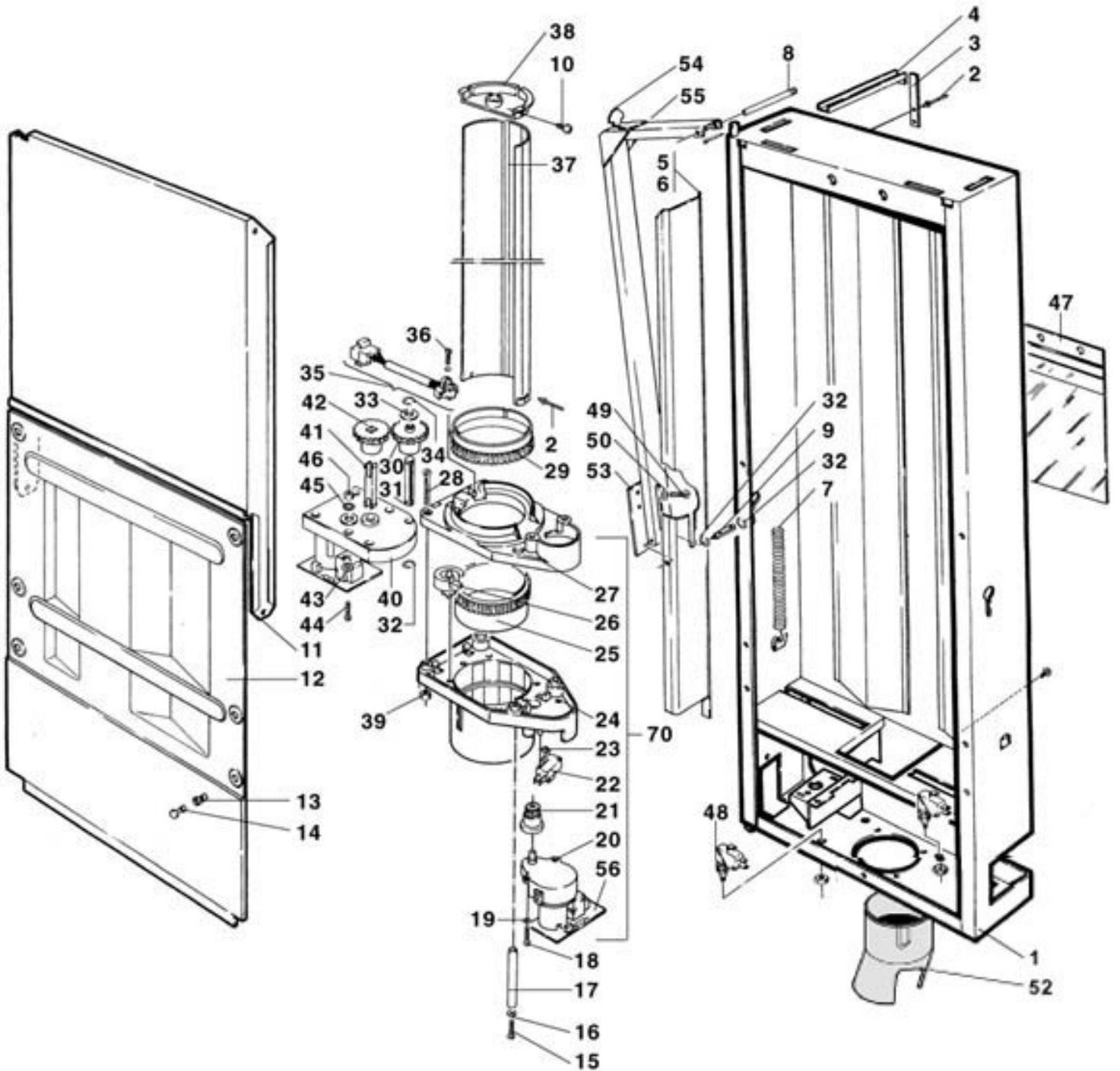
## LUCE KEYBOARD



## LUCE KEYBOARD

Pos.	Code	Description
1/a	0020029453CG	SPOTTED BUTTONS GLASS
1/b	0020029408KF	RAL 3003 BUTTONS GLASS
1/c	0020029408NA	BLACK BUTTONS GLASS
2/a	0020034305AB	WHITE BUTTON
2/b	0020034305CK	GREY BUTTON
3	0020034311	FEELER SPRING
4	0020029634	BUTTONS PLATE
5	0020029636	KEYBORD
6	0020029409	KEYBOARD SUPPORT
7	VIT0003301	WASHER D.12 x 4.3 x 1.5
8	VIT0004503	NUT M 4
9	VIT0002002	SCREW TCB 3,5x6,5

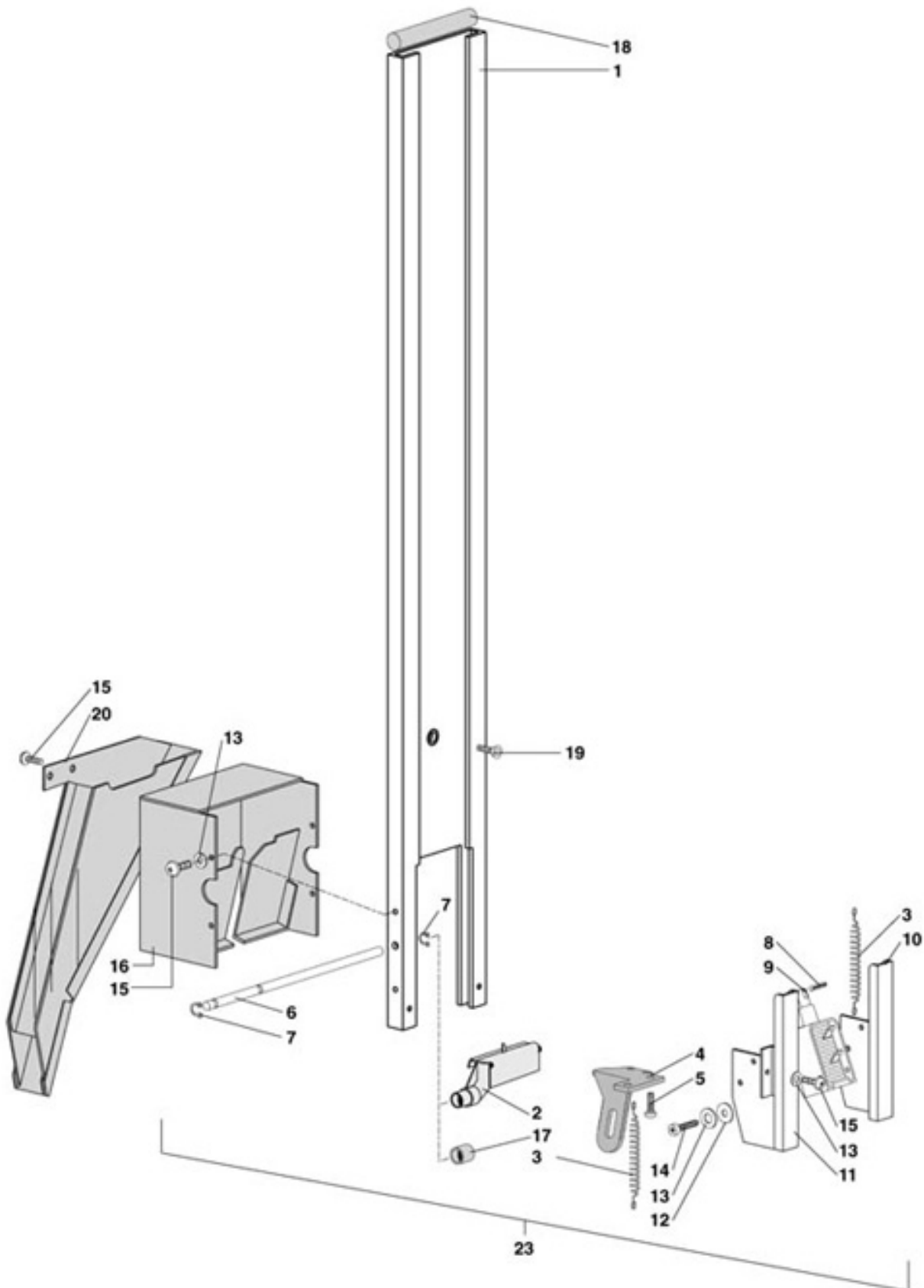
## LUCE CUPS LOADER



## LUCE CUPS LOADER

Pos.	Code	Description	
1	0180011856	600-CUP LOADER STRUCTURE	
2	VIT0007001	M 3 x 7 COPPER RIVET	
3	0180009051	STOP CONNECTION SPRING	
4	0180009054	STOP CONNECTION	
5	0180011817	R.H. - L.H WALL	
6			
7	0180011828	SPRING	
8	0180009116	LONG WALL-PUSHING PIN	
9	0180011823	WALL-PUSHER PIN	
10	VIT0002401	SCREW TCB 3.5 x 9.5	
11	0180011866	LOADER COVER	
12	0180011868	600-CUP FIXED COVER	
	0180011868CK	600-CUP FIXED COVER DUST GRAY RAL 7037	
13	VIT0007110	BUSH	
14	VIT0007111	SECURING BUTTON	
15	VIT0000002	M 3x16 TCB SCREW	
16	VIT0003002	D.3.2x7x0.5 WASHER	
17	0180011534	COLUMN	
18	VIT0000006	M 3x16 TCB SCREW	
19	VIT0003102	WASHER tab D. 3.2	
20	0090002512	24 V DC 10 ROM GEAR MOTOR HEXAGONAL SHAFT	
21	0190006007	FGEAR MOTOR PINION	
22	ELE0001522	1-WAY 16 A 250 V MICROSWITCH	
23	ELE0001906	161 E R 24.1 MICRO LEVER	
24	0190006056	LOWER PLATE It's part of kit 0190012155CL	
25	0190006004	Z 66 RING NUT	
26	0190006005	CAM WITH PINION	
27	0190012155	UPPER PLATE It's part of kit 0190012155CL	
28	VIT0000019	M 5x35 TCB SCREW	
29	0180009145	CENTRAL COLUMN RING NUT	
30	0190012108	Z.30 PINION	
31	0180011533	DB SHAFT FOR Z.30 PINION	
32	VIT0006502	D.3.2 RADIAL STOP RING	
33	VIT0003303	WASHER D.6.5 x 18 x 1.5	
34	VIT0006503	D.4 RADIAL STOP RING	
35	SCH0005100		
36	VIT0002012	2.9x 16 TAPPING TCB SCREW	
37	0180011808	CENTRAL COLUMN	
38	0180005007	CENTRAL COLUMN GUIDE	
39	VIT0004504	M 4 NUT	
40/a	0090002109	24V D.C. GEAR MOTOR 24 R.P.M. FOR OLD ELECTRONIC VERSION	
40/b	0090002114R	24V DC 11 RPM GEAR MOTOR W/FILTER FOR NEW ELECTRONIC VERSION	
41	0380010421	GEAR MOTOR SHAFT	
42	0180011544	Z.30 PINION WITH SQUARE SEAT	
43	0180011553	GEAR MOTOR SPACER	
44	VIT0000015	M 4x25 TCB SCREW	
45	VIT0003103	WASHER tab D. 4.3	
46	VIT0004503	NUT M 4	
47	IMB0001208	MANUAL HOLDER ENVELOPE	
48	ELE0001506	MICROSWITCH 83.131.8-IW3M	
49	VIT0000024	M 4x8 TCB SCREW	
50	VIT0003301	WASHER D.12 x 4.3 x 1.5	
51			
52/a	0180011872	CUPS CHUTE FOR THE VERSION S.A.	
52/b	0180011843	CUPS CHUTE FOR THE VERSION S.C.	
53	0180009091	SETTING PLATE	
54	0180010018	WALL-PUSHER HOOK	
55	0180010015	WALL-PUSHER	
56	SCH0003740	DC MOTORS FILTER	
100	0190006065CL	24V DC CUPS DISPENSER	assieme
101	0180011860CL	CUPS LOADER / DIPENSER ASSEMBLY	assieme

## LUCE STICKS DISPENSER - OPEN STATION

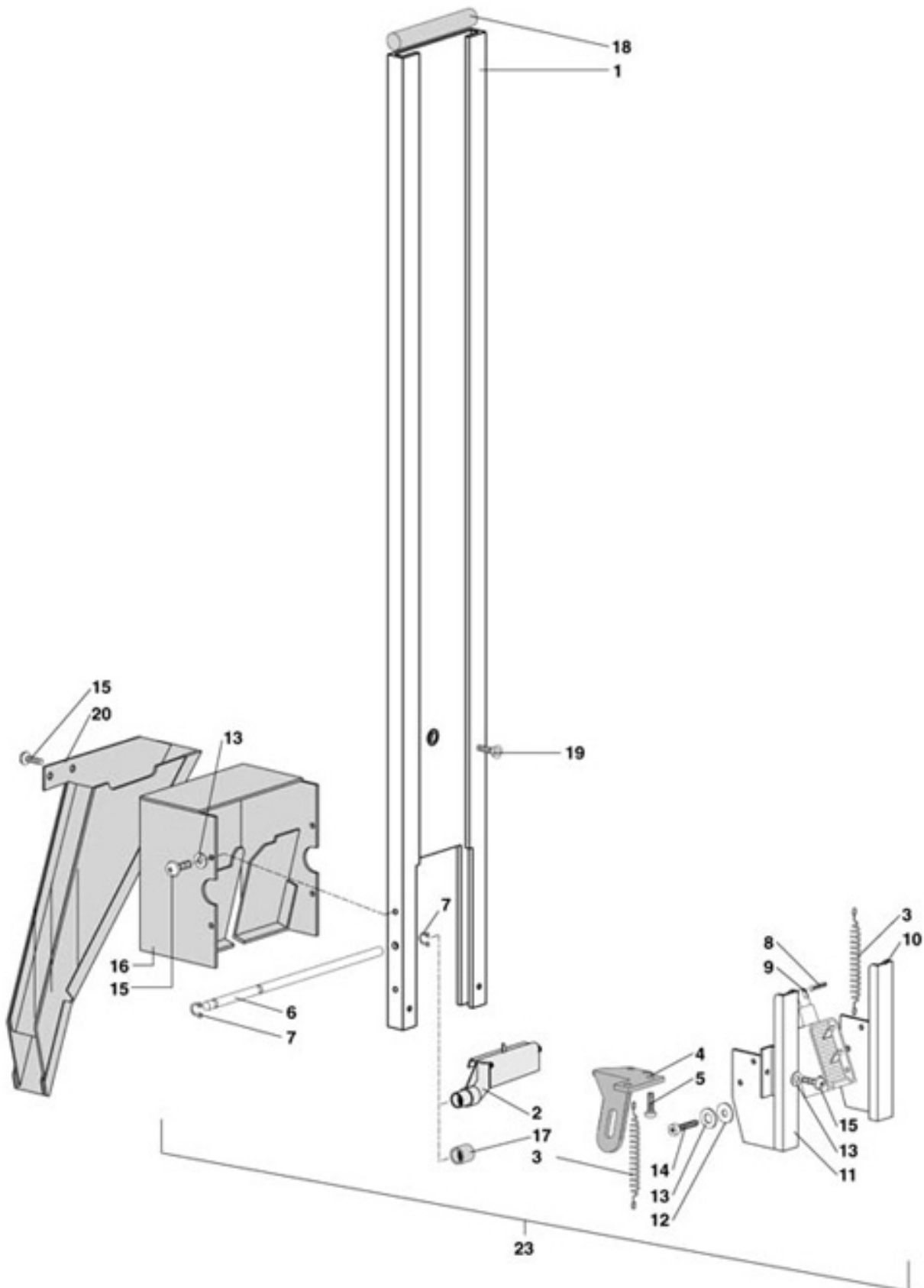


## LUCE

### STICKS DISPENSER - OPEN STATION

Pos.	Code	Description	
1/a	0450009125	STICKS CONTAINER 89 mm	
1/b	0450009137	STICKS CONTAINER 104 mm	
2	0450002003	STICKS DISPENSER	
3	0450003010	RETURN SPRING	
4	0450003108	ELECTROMAGNET CONNECTING ROD	
5	VIT0002469	SCREW TC 3.5 x 10	
6/a	0450003008	STICKS DISPENSER PIN 89 mm	
6/b	0450003032	STICKS DISPENSER PIN 104 mm	
7	VIT0006504	D.5 RADIAL STOP RING	
8	VIT0005211	2.5 x 12 CYLINDRICAL PIN	
9	ELE0000055	24 V DC ELECTROMAGNET	
10	0450003106	ELECTROMAGNET R.H SUPPORT	
11	0450003107	ELECTROMAGNET L.H. SUPPORT	
12	VIT0003003	WASHER D.8 x 4.3 x 0.8	
13	VIT0003405	D.4.3 GROWER WASHER	
14	VIT0000021	M 4x6 TCB SCREW	
15	VIT0002401	SCREW TCB 3.5 x 9.5	
16/a	0450009126	STICKS FEEDER 89 mm	
16/b	0450009138	STICKS FEEDER 104 mm	
17	0450003031	STICKS DISPENSER SPACER 104 mm	
18/a	4001012030	STICK WEIGHT 89 mm	
18/b	0450003033	STICK WEIGHT 104 mm	
19	VIT0000106	M 4x8 TSP SCREW	
20	0450009161	STICKS CHUTE	
23/a	0450009140CL	STICKS DISPENSER 89 mm (WITHOUT PART. 18-19-20)	assieme
23/b	0450009150CL	STICKS DISPENSER 104 mm (WITHOUT PART. 18-19-20)	assieme

## LUCE STICKS DISPENSER - CLOSE STATION



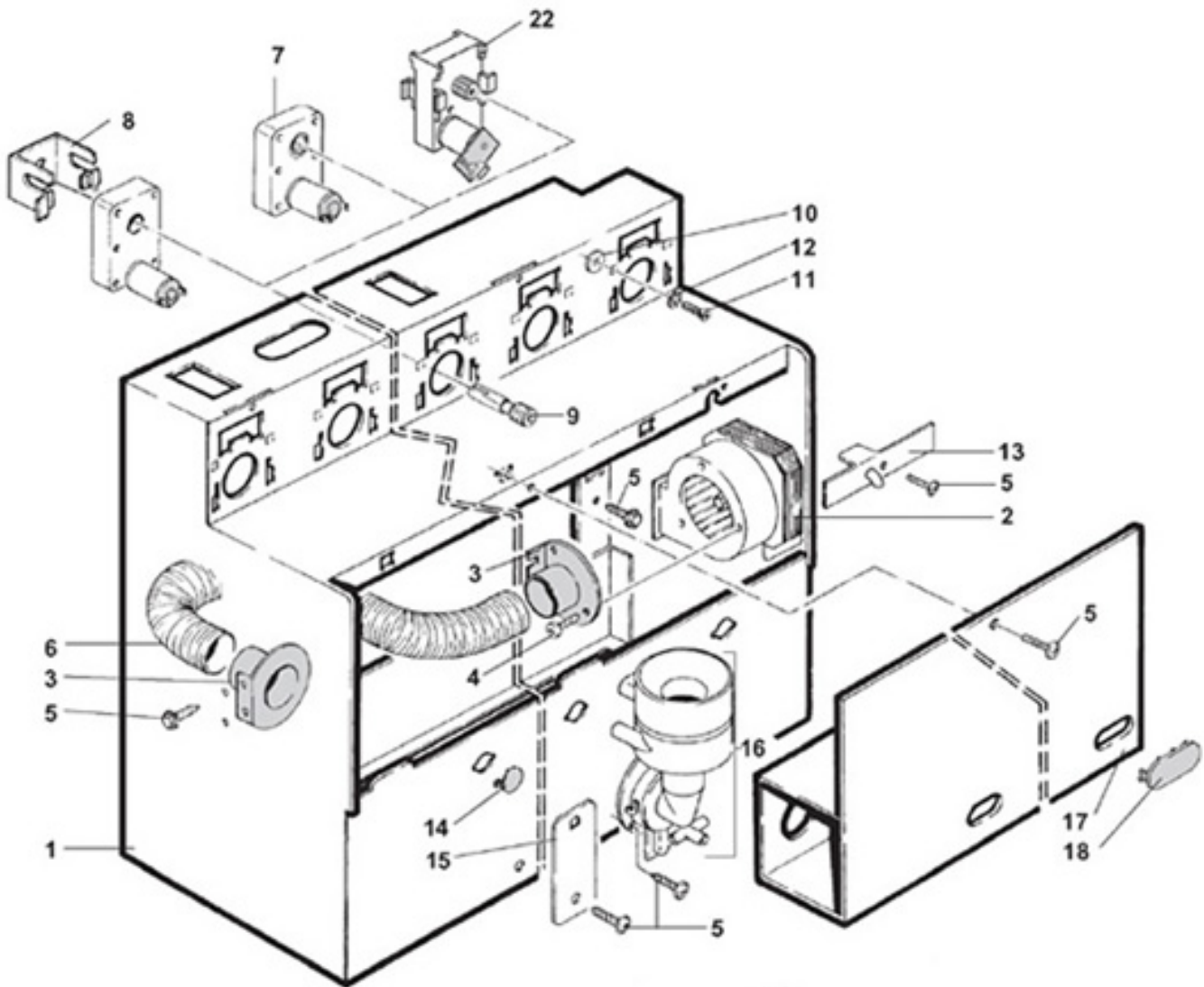


## LUCE STICKS DISPENSER - CLOSE STATION

Pos.	Code	Description
1/a	0450009125	STICKS CONTAINER 89 mm
1/b	0450009137	STICKS CONTAINER 104 mm
2	0450002003	STICKS DISPENSER
3	0450003010	RETURN SPRING
4	0450009141	ELECTROMAGNET CONNECTING ROD
5	VIT0002469	SCREW TC 3.5 x 10
6/a	0450003008	STICKS DISPENSER PIN 89 mm
6/b	0450003032	STICKS DISPENSER PIN 104 mm
7	VIT0006504	D.5 RADIAL STOP RING
8	VIT0005211	2.5 x 12 CYLINDRICAL PIN
9	ELE0000055	24 V DC ELECTROMAGNET
10	0450009139	ELECTROMAGNET R.H SUPPORT
11	0450009140	ELECTROMAGNET L.H. SUPPORT
12	VIT0003003	WASHER D.8 x 4.3 x 0.8
13	VIT0003405	D.4.3 GROWER WASHER
14	VIT0000021	M 4x6 TCB SCREW
15	VIT0002401	SCREW TCB 3.5 x 9.5
16/a	0450009126	STICKS FEEDER 89 mm
16/b	0450009138	STICKS FEEDER 104 mm
17	0450003031	STICKS DISPENSER SPACER 104 mm
18/a	4001012030	STICK WEIGHT 89 mm
18/b	0450003033	STICK WEIGHT 104 mm
19	VIT0000106	M 4x8 TSP SCREW
20	0450009127	STICKS CHUTE
23/a	0450009146CL	STICKS DISPENSER 89 mm (WITHOUT PART. 18-19-20)
23/b	0450009156CL	STICKS DISPENSER 104 mm (WITHOUT PART. 18-19-20)

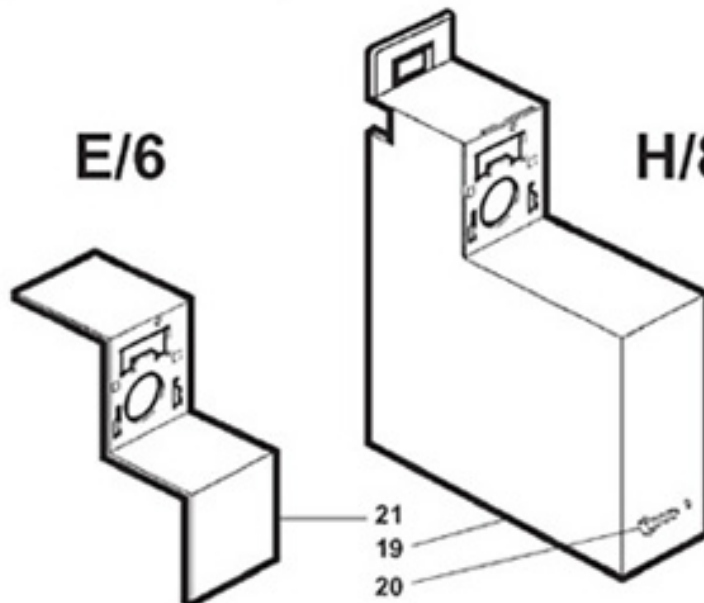
assieme

## LUCE SOLUBLES DISPENSER



**E/6**

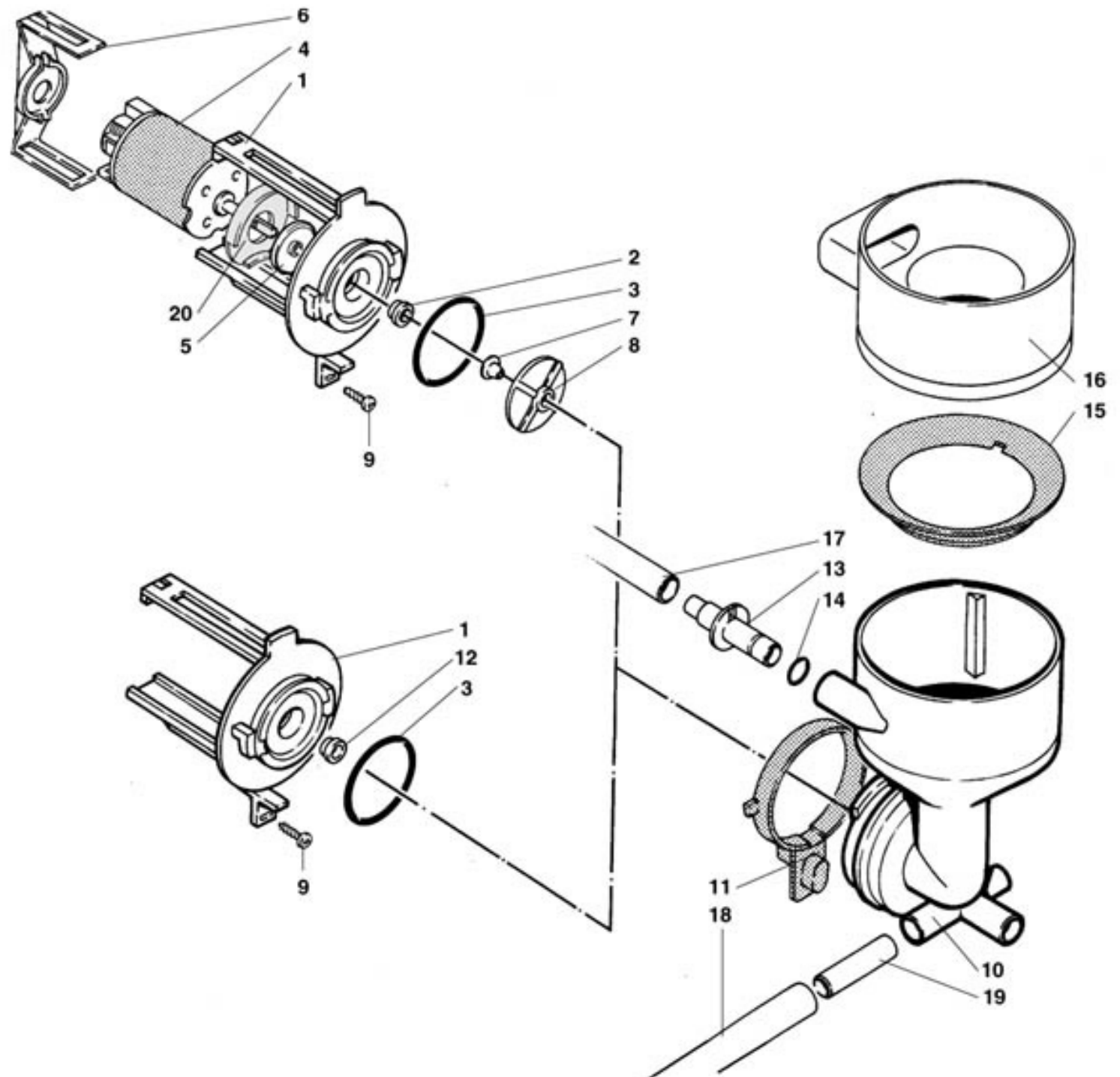
**H/8**



## LUCE SOLUBLES DISPENSER

Pos.	Code	Description
1/a	0070010700R	'E' SOLUBLES HOUSING
1/b	0070010720R	'H' SOLUBLES HOUSING
2	ELE0000454	EXHAUST FAN
3	3005101039	1-WAY FAN+C1896 COVER
4	VIT0002002	SCREW TCB 3,5x6,5
5	VIT0000030	SCREW TCB M4 x 7
6	TEOL0000003	2x4 PIPE
7/a	0090002081	24 V DC 85 RPM PRODUCT GEAR MOTOR
7/b	0090002082	24V D.C. 50 RPM PRODUCT GEAR MOTOR
7/c	0090002093	24V D.C. 32 RPM PRODUCT GEAR MOTOR
8	0010020031	GEAR MOTOR SUPPORT
9/a	0090002111	Z 18 D.15 SHAFT
9/b	0230012010	DRIVING PINION
10	0090002079	GEAR MOTOR SPACER
11	VIT0000015	M 4x25 TCB SCREW
12	VIT0003103	WASHER tab D. 4.3
13	0240002117	TEA GROUP WATER INLET PIPE
14	0080100035NA	BLACK PLUG
15	0010020028NA	BLACK MIXER PLUG
16		See table MIXERS
17/a	0070010759	E/5 EXHAUST HOUSING
17/b	0070010757	E/5 FBT EXHAUST HOUSING
17/c	0070010775	H EXHAUST HOUSING
17/d	0070010776	H/FBT EXHAUST HOUSING
18	0070010831NA	
19	0070010904	MOTOR SUPPORT COMPLETE
20	VIT0000236	E.H SCREW M 6 x 11 + FR
21	0070010925	SUPPORTO MOTOR SHAFT E/6
22	0090002113R	24V DC 97RPM PRODUCT GEAR MOTOR + FILTER

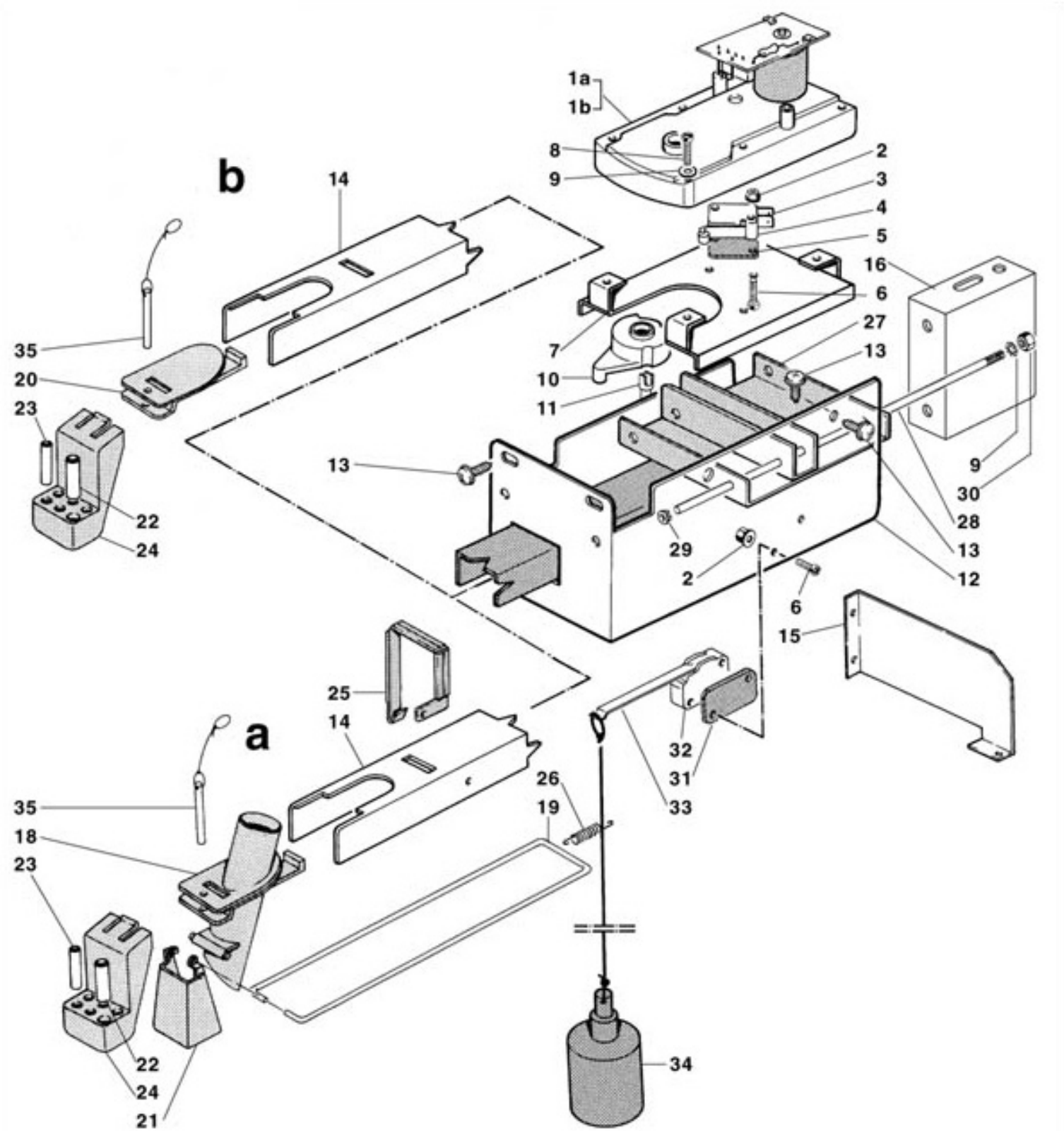
## LUCE MIXERS



## LUCE MIXERS

Pos.	Code	Description	
1	0080100005	MIXER BASE	
2	0080100015	MIXER BASE BUSH	
3	GUA0000084	GASKET 3131	
4	0090003023	24 V DC MIXER MOTOR SHAFT D.4	
5	0080100024	DRIP TRAP FAN	
6	0080100009	MOTOR CONNECTION COVER	
	0080100009IC	MOTOR CONNECTION COVER ORANGE RAL 2011	
7	0080100101	MIXER GASKET - SHAFT D.4	
8	0080100011	SMALL FAN MIXER SHAFT D.4	
9	VIT0002401	SCREW TCB 3.5 x 9.5	
10/a	0080100007	MIXER BODY WITH INLET	
10/b	0080100007/1	MIXER WITH INLET WITHOUT LINE	
11	0080100006	STOPPER RING	
	0080100006IC	STOPPER RING ORANGE RAL 2011	
12	0080100018	MIXER BASE PLUG	
13	0080100013	MIXER CONNECTION	
14	GUA0000085	SILICONE GASKET 106	
15	0080100022	MIXER BODY RING	
16	0080100021	EXHAUST BODY	
17	TSIL07/11T	TRANSPARENT SILICONE PIPE D.7 x 11	
18	TSIL06/09T	TRANSPARENT SILICONE PIPE D.6 x 9	
19	0080027029	REDUCTION FOR CAFFEINE-FREE COFFE	
20	0080100023	MIXER COVER	
	0080100023IC	MIXER COVER ORANGE RAL 2011	
100	0080100005R	MIXER MOTOR ADAPTATION KIT (pos. 7+8+11+13+14+15+16)	assieme
101	0080100007R	MIXER BODY + RING STOPPER	

## LUCE DISTRIBUTION PIPES MOVEMENT

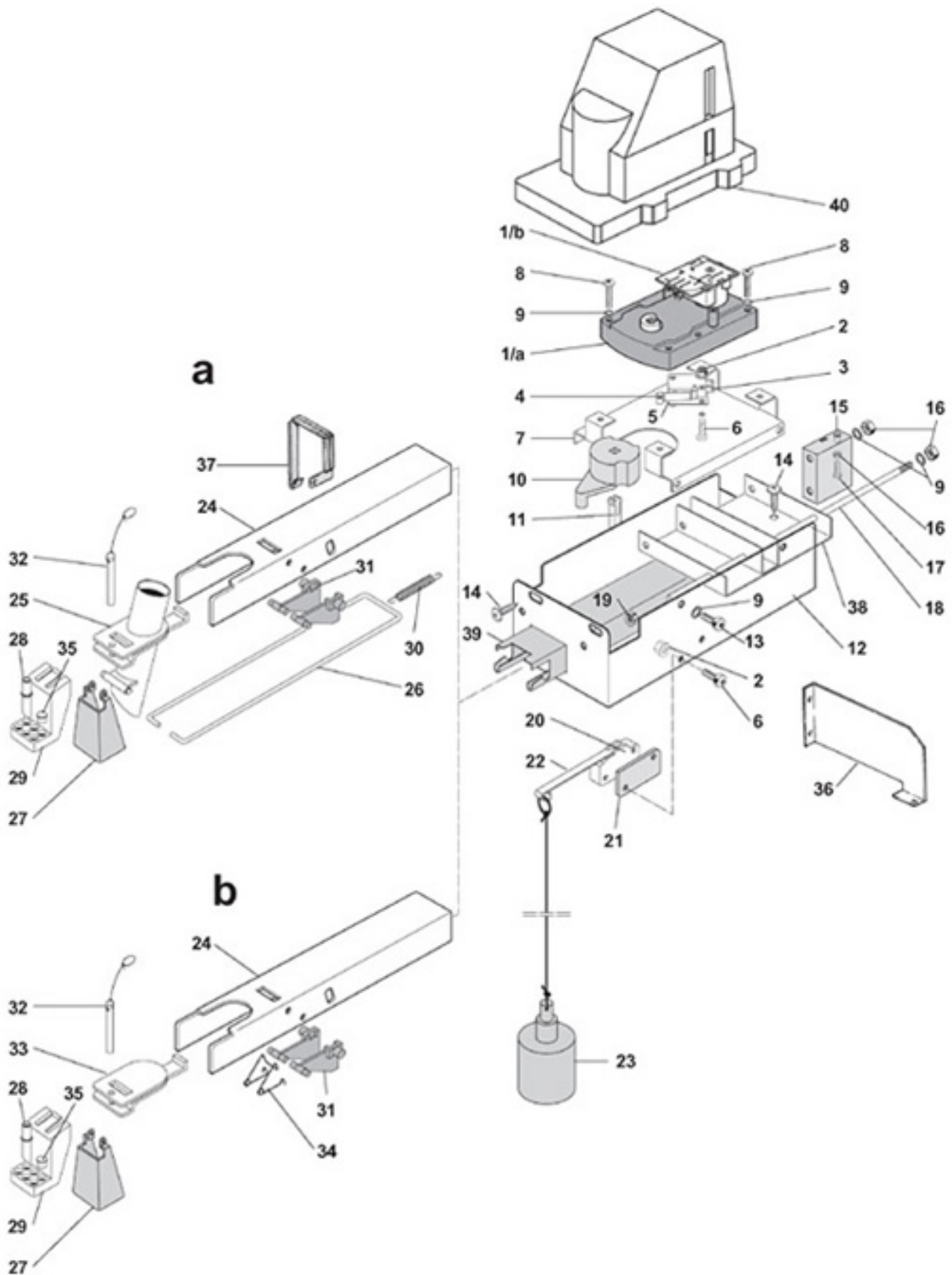


## LUCE DISTRIBUTION PIPES MOVEMENT

Pos.	Code	Description	
1	0090002110R	24 V DC 24 RPM GEAR MOTOR + BRAKE WITH FILTER	
1/a	0090002109	24V D.C. GEAR MOTOR 24 R.P.M.	
1/b	SCH0004980	DC MOTORS FILTER	
2	VIT0004701	M3 FR NUT	
3	ELE0001528	MICRO 83.161.832	
4	ELE0001906	161 E R 24.1 MICRO LEVER	
5	7500902054	SUPPLEMENTARY INSULATION	
6	VIT0000006	M 3x16 TCB SCREW	
7	0380010436	GEAR MOTOR SUPPORT	
8	VIT0000015	M 4x25 TCB SCREW	
9	VIT0003103	WASHER tab D. 4.3	
10	0380010508	GEAR MOTOR CAM mm 36	
11	0380010421	GEAR MOTOR SHAFT	
12	0380010550	PIPES MOVEMENT HOUSING	
13	VIT0002401	SCREW TCB 3.5 x 9.5	
14	0380010611	PRODUCT PIPES SUPPORT	
15	0380010608	PIPES MOVEMENT SUPPORT	
16	0380010607	PIPES MOVEMENT SETTING	
17	VIT0000014	M 4x16 TCB SCREW	
18	0380011229	SUGAR CHUTE	
19	0380010612	WALL OPENING CONNECTION	
20	0380010459NA/L	PIPES SUPPORT PLATE	
21	0380010424	MOBILE WALL	
	0380010424NA	MOBILE WALL BLACK	
22/a	0380010555	COFFEE PIPE	
22/b	0380010476	PRODUCT PIPE	
22/c	0380010657NA	DISPENSER PIPE (BLACK)	
23	0380010656NA	PLUG (BLACK)	
24/a	0380010425	PRODUCT PIPES SUPPORT / 6	
24/b	0380010655NA/L	PRODUCT PIPES SUPPORT WITH HOLE	
25	0380010579	HOSE CLAMP	
26	0380010431	MOBILE WALL SPRING	
27	0380010531	PIPES SUPPORT GUIDE	
28	0380010411	PIPES SUPPORT GUIDE SHAFT	
29	0380010534	PIPES SUPPORT GUIDE BUSH	
30	VIT0004503	NUT M 4	
31	4600010014	MICRO SPACER	
32	ELE0001522	1-WAY 16 A 250 V MICROSWITCH	
33	NL201106265	MICRO LEVER	
34	0070003022	FLOATER ASSEMBLY	
35	0380010429CL	SECURING PIN ASSEMBLY	
100	0380010580CL	LUCE E PIPES MOVEMENT WITH SUGAR RELEASE	assieme
101	0380010590CL	LUCE H PIPES MOVEMENT WO/SUGAR RELEASE	assieme

LUCE

DISTRIBUTION PIPES MOVEMENT OPEN STATION





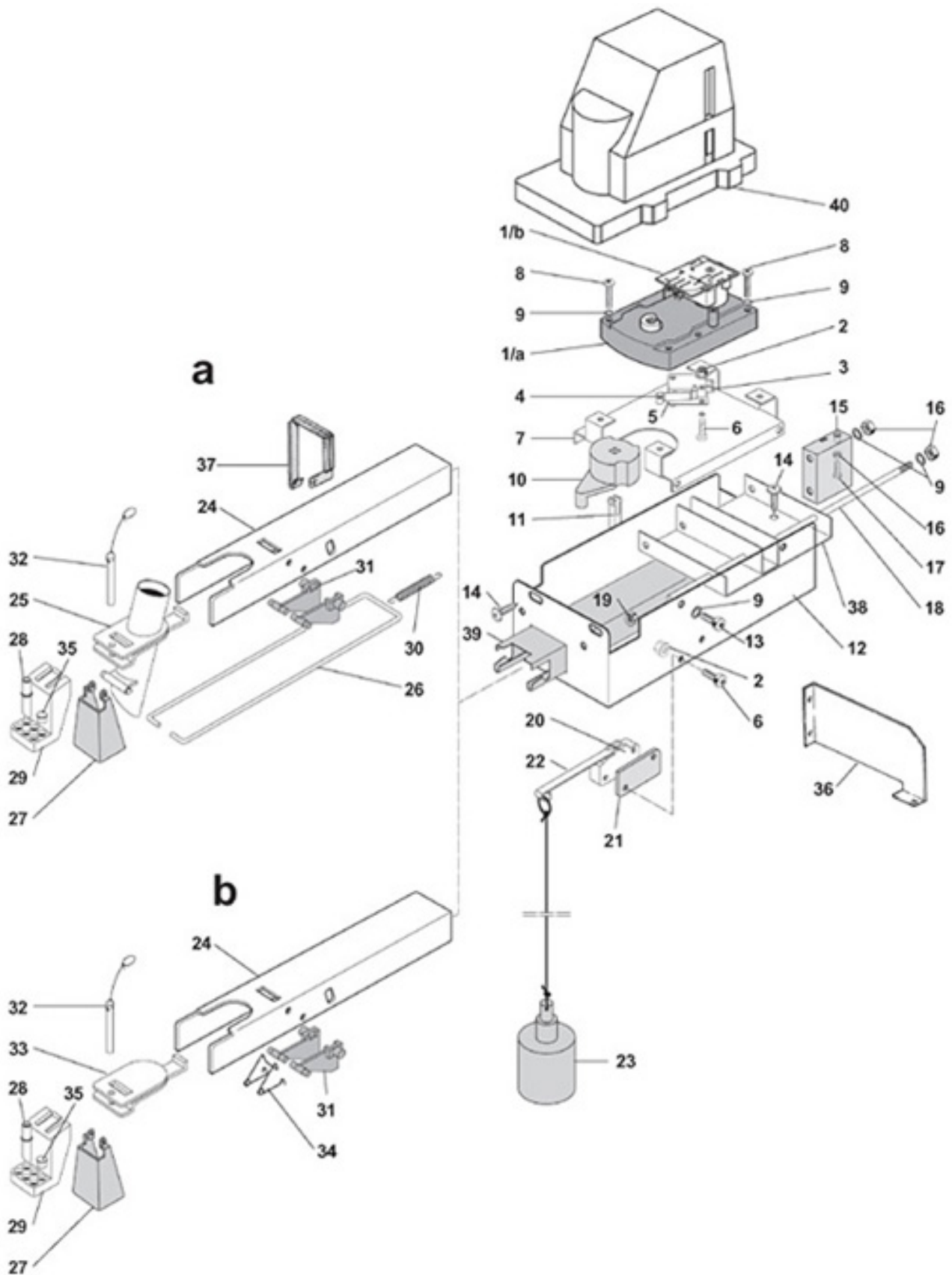
## LUCE

### DISTRIBUTION PIPES MOVEMENT OPEN STATION

Pos.	Code	Description	
1	0090002110R	24 V DC 24 RPM GEAR MOTOR + BRAKE WITH FILTER FOR OLD ELECTRONIC VERSION	
1/a	0090002109	24V D.C. GEAR MOTOR 24 R.P.M. FOR OLD ELECTRONIC VERSION	
1/b	SCH0004980	DC MOTORS FILTER FOR OLD ELECTRONIC VERSION	
1	0090002115R	24V D.C. GEAR MOTOR 24 R.P.M. FOR NEW ELECTRONIC VERSION	
1/c	0090002114	GEAR MOTOR MOD.930 11RPM 24V DC FOR NEW ELECTRONIC VERSION	
1/d	SCH0004980	DC MOTORS FILTER FOR NEW ELECTRONIC VERSION	
2	VIT0004701	M3 FR NUT	
3	ELE0001528	MICRO 83.161.832	
4	ELE0001906	161 E R 24.1 MICRO LEVER	
5	7500902054	SUPPLEMENTARY INSULATION	
6	VIT0000006	M 3x16 TCB SCREW	
7	0380010436	GEAR MOTOR SUPPORT	
8	VIT0000015	M 4x25 TCB SCREW	
9	VIT0003103	WASHER tab D. 4.3	
10	0380010508	GEAR MOTOR CAM mm 36	
11	0380010421	GEAR MOTOR SHAFT	
12	0380010615	PIPES MOVEMENT	
13	VIT0002009	SCREW T.C.B. 3.5 x 6.5	
14	VIT0002401	SCREW TCB 3.5 x 9.5	
15	0380010607	PIPES MOVEMENT SETTING	
16	VIT0004503	NUT M 4	
17	VIT0000014	M 4x16 TCB SCREW	
18	0380010411	PIPES SUPPORT GUIDE SHAFT	
19	0380010534	PIPES SUPPORT GUIDE BUSH	
20	ELE0001528	MICRO 83.161.832	
21	4600010014	MICRO SPACER	
22	NL201106265	MICRO LEVER	
23	0070020038CL	FLOATER ASSEMBLY	
24	0380010616	PRODUCT PIPES SUPPORT ESTRAIBILE	
25	0380011229	SUGAR CHUTE	
26	0380010612	WALL OPENING CONNECTION	
27	0380010424	MOBILE WALL	
	0380010424NA	MOBILE WALL FOR NEW ELECTRONIC VERSION BLACK	
28	0380010657NA	DISPENSER PIPE (BLACK)	
29	0380010655NA/L	PRODUCT PIPES SUPPORT WITH HOLE	
30	0380010431	MOBILE WALL SPRING	
31	0380010599	KEY PIPES MOVEMENT	
32	0380010429CL	SECURING PIN ASSEMBLY	
33	0380010459NA/L	PIPES SUPPORT PLATE	
34	0380010629	KEY PIPES MOVEMENT	
35	0380010656NA	PLUG (BLACK)	
36	0380010608	PIPES MOVEMENT SUPPORT	
37	0380010579	HOSE CLAMP	
38	0380010531	PIPES SUPPORT GUIDE	
39	0380010623	PIPES SUPPORT GUIDE	
40	0380010632NA	PIPES MOVEMENT PROTECTION	
100	0380010583CL	PIPES MOVEMENT ESTRAIBILE LUCE E	assieme
101	0380010593CL	PIPES MOVEMENT ESTRAIBILE LUCE H	assieme
102	0380010602CL	PIPES MOVEMENT ESTRAIBILE LUCE E N.E.	assieme
103	0380010599CL	PIPES MOVEMENT ESTRAIBILE LUCE H N.E.	assieme

LUCE

DISTRIBUTION PIPES MOVEMENT CLOSED STATION

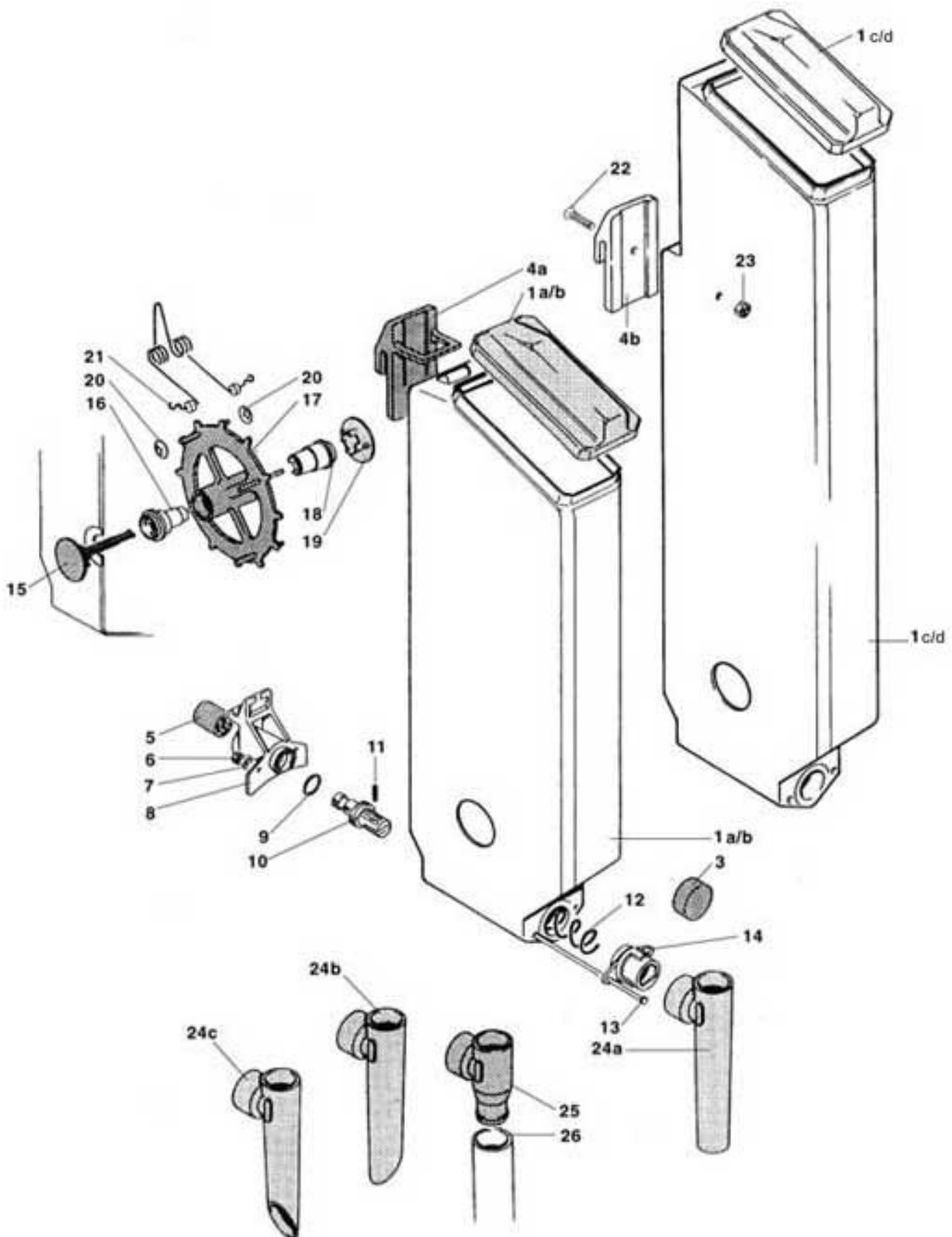


## LUCE

### DISTRIBUTION PIPES MOVEMENT CLOSED STATION

Pos.	Code	Description	
1	0090002110R	24 V DC 24 RPM GEAR MOTOR + BRAKE WITH FILTER FOR OLD ELECTRONIC VERSION	
1/a	0090002109	24V D.C. GEAR MOTOR 24 R.P.M. FOR OLD ELECTRONIC VERSION	
1/b	SCH0004980	DC MOTORS FILTER FOR OLD ELECTRONIC VERSION	
1	0090002115R	24V D.C. GEAR MOTOR 24 R.P.M. FOR NEW ELECTRONIC VERSION	
1/c	0090002114	GEAR MOTOR MOD.930 11RPM 24V DC FOR NEW ELECTRONIC VERSION	
1/d	SCH0004980	DC MOTORS FILTER FOR NEW ELECTRONIC VERSION	
2	VIT0004701	M3 FR NUT	
3	ELE0001528	MICRO 83.161.832	
4	ELE0001906	161 E R 24.1 MICRO LEVER	
5	7500902054	SUPPLEMENTARY INSULATION	
6	VIT0000006	M 3x16 TCB SCREW	
7	0380010436	GEAR MOTOR SUPPORT	
8	VIT0000015	M 4x25 TCB SCREW	
9	VIT0003103	WASHER tab D. 4.3	
10	0380010508	GEAR MOTOR CAM mm 36	
11	0380010421	GEAR MOTOR SHAFT	
12	0380010615	PIPES MOVEMENT	
13	VIT0002009	SCREW T.C.B. 3.5 x 6.5	
14	VIT0002401	SCREW TCB 3.5 x 9.5	
15	0380010607	PIPES MOVEMENT SETTING	
16	VIT0004503	NUT M 4	
17	VIT0000030	SCREW TCB M4 x 7	
18	0380010411	PIPES SUPPORT GUIDE SHAFT	
19	0380010534	PIPES SUPPORT GUIDE BUSH	
20	ELE0001528	MICRO 83.161.832	
21	4600010014	MICRO SPACER	
22	NL201106265	MICRO LEVER	
23	0070020038CL	FLOATER ASSEMBLY	
24	0380010598	PIPE SUPPORT	
25	0380011229	SUGAR CHUTE	
26	0380010596	WALL OPENING CONNECTION	
27	0380010424	MOBILE WALL	
	0380010424NA	MOBILE WALL FOR NEW ELECTRONIC VERSION BLACK	
28	0380010657NA	DISPENSER PIPE (BLACK)	
29	0380010655NA/L	PRODUCT PIPES SUPPORT WITH HOLE	
30	0380010431	MOBILE WALL SPRING	
31	0380010599	KEY PIPES MOVEMENT	
32	0380010429CL	SECURING PIN ASSEMBLY	
33	0380010459NA/L	PIPES SUPPORT PLATE	
34	0380010629	KEY PIPES MOVEMENT	
35	0380010656NA	PLUG (BLACK)	
36	0380010608	PIPES MOVEMENT SUPPORT	
37	0380010579	HOSE CLAMP	
38	0380010531	PIPES SUPPORT GUIDE	
39	0380010623	PIPES SUPPORT GUIDE	
40	0380010632NA	PIPES MOVEMENT PROTECTION	
100	0380010586CL	EUROPA II E PIPES MOVEMENT ASSEMBLED	assieme
101	0380010596CL	EUROPA II H PIPES MOVEMENT ASSEMBLED	assieme
102	0380010600CL	LUCE E PIPES MOVEMENT W/SUGAR RELEASE (for new electronic version)	assieme
103	0380010601CL	LUCE H PIPES MOVEMENT W/SUGAR RELEASE (for new electronic version)	assieme

## LUCE PRODUCTS CONTAINER



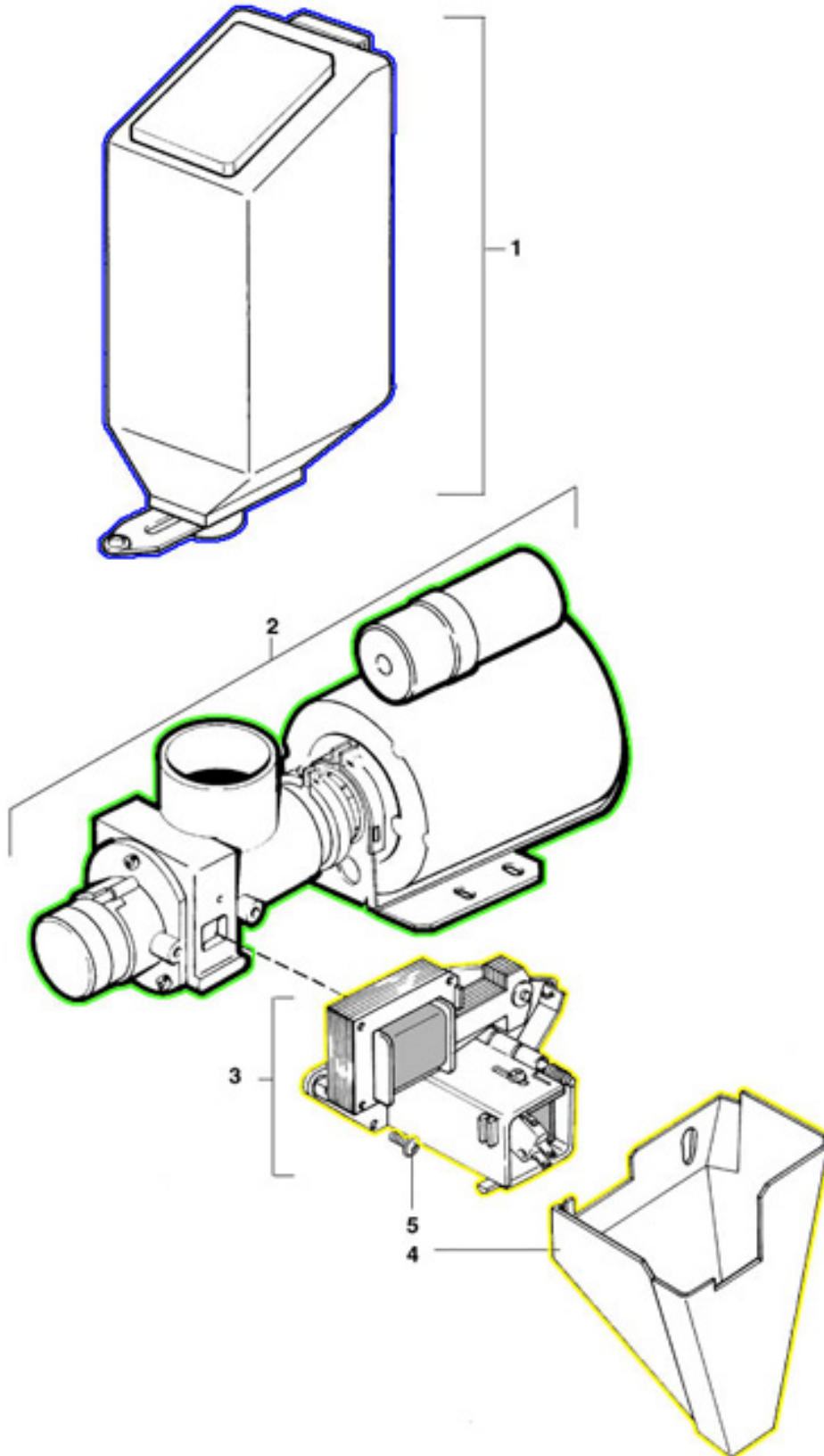
## LUCE PRODUCTS CONTAINER

Pos.	Code	Description	
1/a	70003001AR	PRD. CON. W/HOLES+COVER	
1/b	70003001BR	PRD. CON. W/O HOLES+COVER	
1/c	0230008003AR	PRD. CON.H650 W/HOLES+COVER	
1/d	0230008003BR	PRD. CON.H650 W/O HOLES+COVER	
3	4002050109AD	PRODUCT CHUTE PLUG	
4/a	70003003	UPPER HOOKING PLATE	
4/b	0230012018	UPPER PLATE	
5	0230012012	DRIVING RING GEAR SQUARE SEAT	
6	VIT0004803	STAINLESS STEEL NUT M4	
7	VIT0003202	STAINLESS STEEL FLAT WASHER D.4,3 x 9 x 0,8	
8	70003006	REAR SUPPORTING BUSH	
9	GUA0000015	GASKET 119	
10	0230012006	WORM SCREW WITH FLANGE	
11	VIT0005301	ELASTIC PIN D.2 x 14	
12/a	70003016	P.18 WORM SCREW SPRING	
12/b	0230024009	WORM SCREW SPRING P.9	
13	70003010	BUSH TIE-BOLT	
14/a	70003008	FRONT BUSH	
14/b	70003007	FRONT BUSH	
14/c	0230012025	FRONT BUSH WITH TRANSITION REDUCED	
15	70003028	STOP PIN	
16	70003027	MIXER MALE BUSH	
17	70003012	PLASTIC MIXER GEAR	
18	70003026	MIXER FEMALE BUSH	
19	70003029	STOP DISK	
20	VIT0007102	BENZING-QUICKLOCK	
21	11837	MIXER	
22	VIT0001205	M 4x12 TSP SCREW	
23	VIT0004810	M 4 SELFLOCKING NUT	
24/a	4001003072/20	STRAIGHT PRODUCT CHUTE mm 125	
24/b	4001003072/22	L.H. PRODUCT CHUTE mm 155	
24/c	4001003072/21	R.H. PRODUCT CHUTE mm 155	
25	0230016024	SUGAR FEEDER	
26	TSIL14/20T	D.10x14 NATURAL TRANSPARENT SILICONE PIPE	
100	0230016005R	(**)WORM SCREW P.18 PRODUCT CONTAINER ASSEMBLY	
101	0230017007R	PRODUCT CONTAINER PLATIC WHEEL P.9 ASS.	
102	0230017008R	PRODUCT CONTAINER PLATIC WHEEL P.18 ASSEM.	
103	0230018009R	ROBO MIXER PRODUCT CONTAINER P.18 ASSEM.	
104	0230019005R	TEA PRODUCT CONTAINER PLATIC WHEEL P.9 ASSEM.	
105	0230019006R	TEA PRODUCT CONTAINER PLATIC WHEEL P.18 ASSEM.	assieme
106	0230012012R	DRIVING RING GEAR - WORM SCREW PIN W/FLANGE ASSEMBLY	assieme

LUCE

CONTAINER BATCHER GRINDER GROUP

---

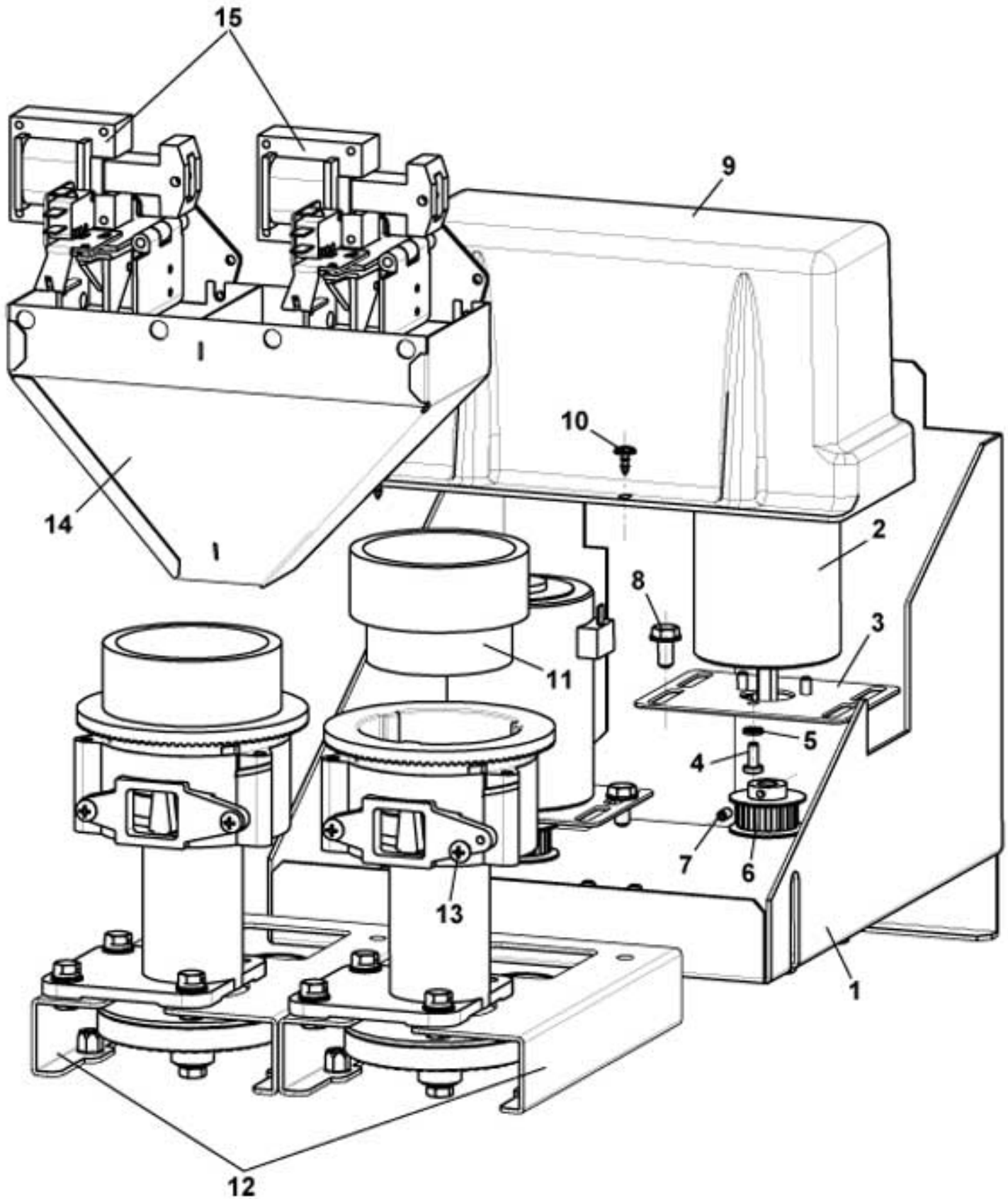


## LUCE

### CONTAINER BATCHER GRINDER GROUP

Pos.	Code	Description
1		See table COFFEE BEANS CONTAINER
2		See table HORIZONTAL GRINDER GROUP
3		See table ALUMINIUM BATCHER WOTH INTERNAL MICRO
4/a	0320005056	MICRO COFFEE GROUP CHUTE Up to serial 02359999
4/b	0320005061	MICRO COFFEE GROUP CHUTE From serial 02360001
5	VIT0000012	SCREW T.C.B. M 4 x 10

## LUCE 2 BATCHERS/GRINDER GROUPS

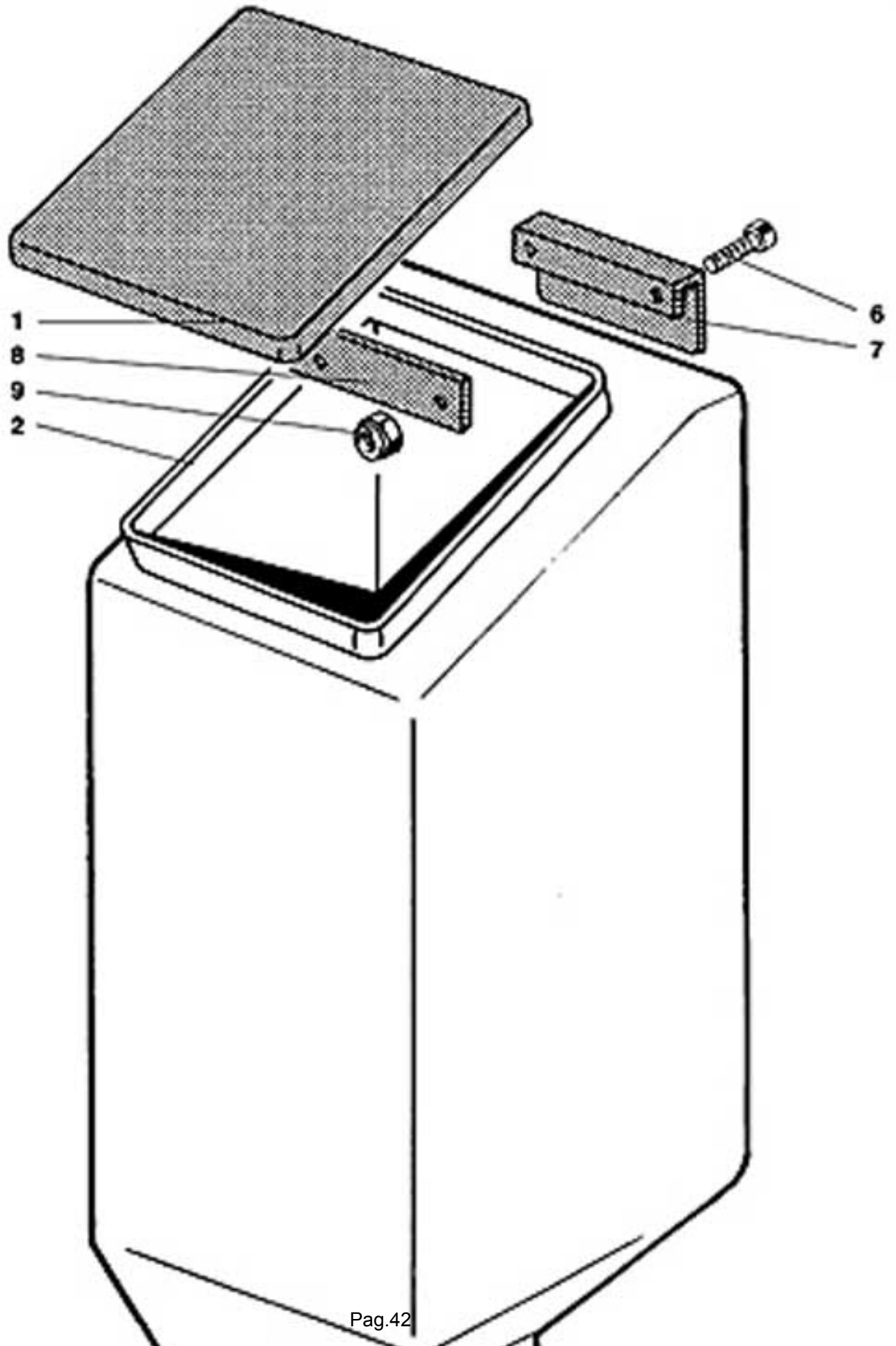




## LUCE 2 BATCHERS/GRINDER GROUPS

Pos.	Code	Description
1	0010015168	2 GRINDERS SUPPORT
2	0090003043	MILL 220 V DC MOTOR
3	0320004607	SETTING PLATE
4	VIT0000012	SCREW T.C.B. M 4 x 10
5	VIT0003103	WASHER tab D. 4.3
6	0320004612	16 XL 037 ENGINE PULLEY
7	VIT0007026	M 4 x 6 DOWEL
8	VIT0000213	M 6*12 H.H. SCREW
9	0320004608	MOTORS PROTECTIONS
	0320004608NA	MOTORS PROTECTIONS BLACK
10	VIT0002401	SCREW TCB 3.5 x 9.5
11	0320004061	UPPER GRINDER SUPPORT RING NUT
12		See table 2 VERTICAL MILL GROUPS
13	VIT0000030	SCREW TCB M4 x 7
14	0320004614	2 COFFEE POWDERS CHUTE
15		See table ALUMINIUM BATCHER WOTH EXTERNAL MICRO

## LUCE COFFEE BEANS CONTAINER



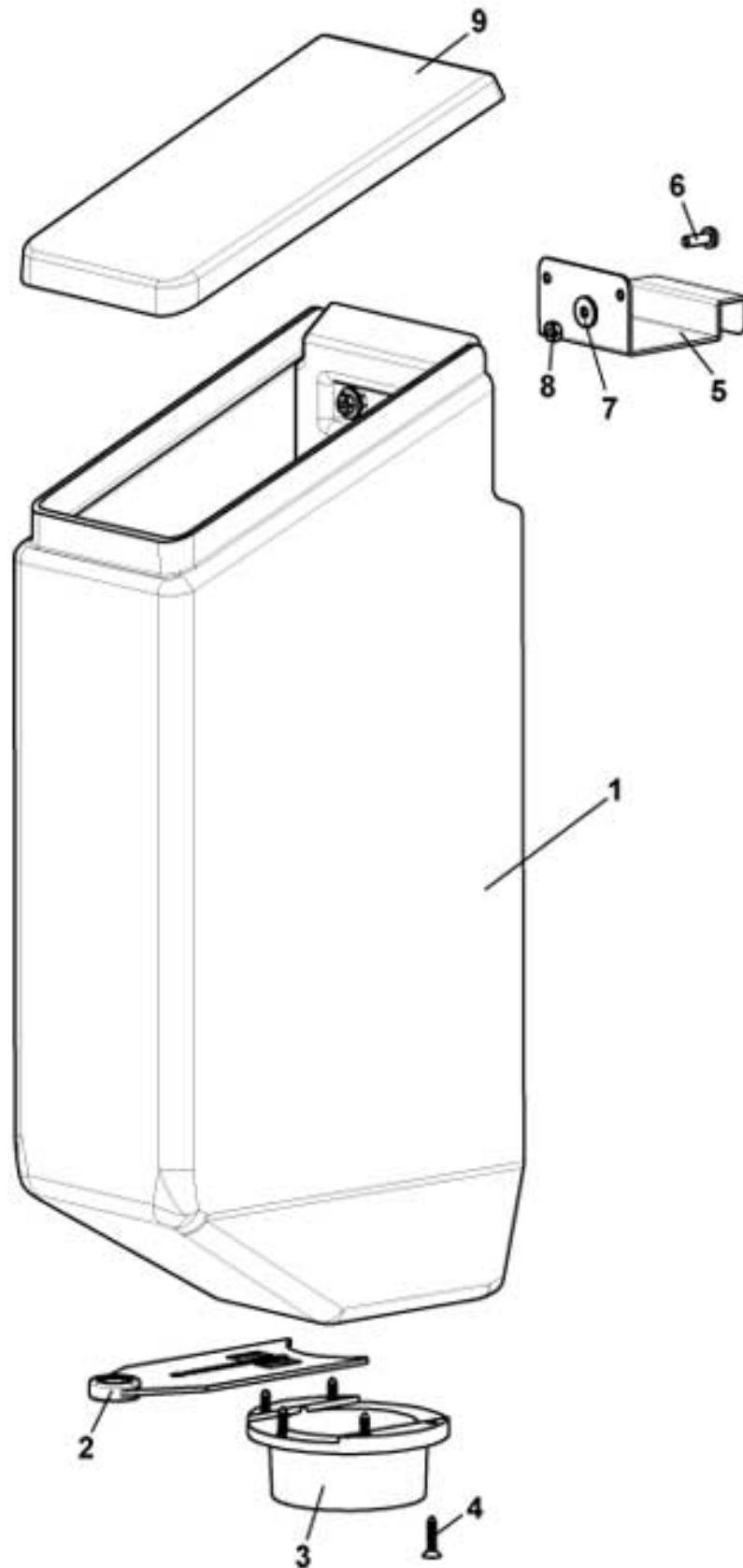
## LUCE COFFEE BEANS CONTAINER

Pos.	Code	Description	
1	0230015057	COFFEE LITTLE CONTAINER COVER	
2	0230015052	COFFEE CONTAINER	
3	4001002077	COFFEE CONTAINER BLADE	
	4001002077NA	COFFEE CONTAINER BLADE BLACK	
4	0230015035	COFFEE CONTAINER BOTTOM	
5	VIT0002104	2.9x 13 STAINLESS STEEL TAPPING TCB SCREW	
6	VIT0005510	4x16 TCEI SCREW	
7	0230015036	COFFEE CONTAINER CONNECTION	
8	0230015037	STIFFENING	
9	VIT0004810	M 4 SELFLOCKING NUT	
100	0230015050R	EU COFFEE BEANS CONTAINER GROUP	assieme

LUCE

2 WHEELS COFFEE BEANS CONTAINER

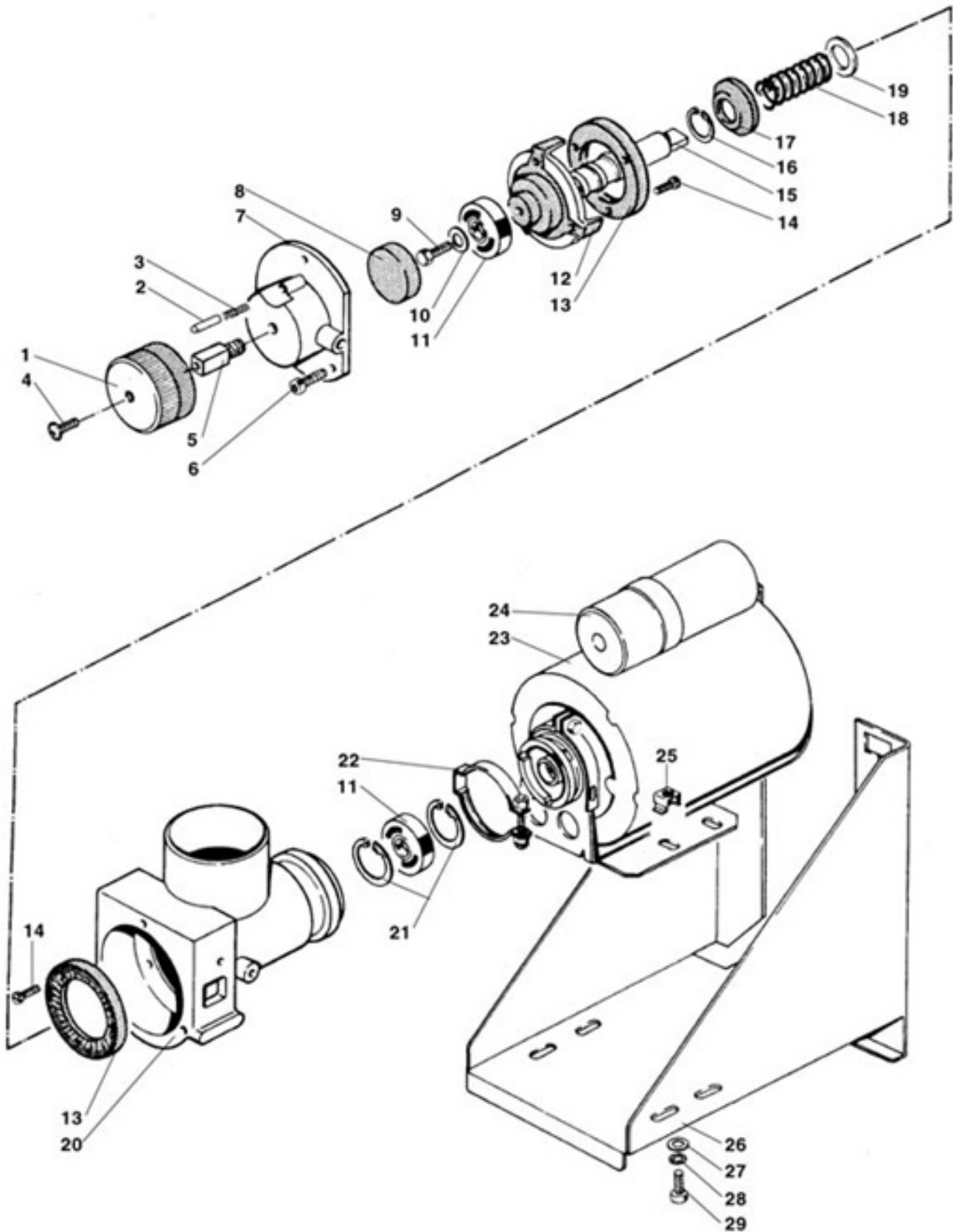
---



**LUCE****2 WHEELS COFFEE BEANS CONTAINER**

Pos.	Code	Description
1	0230015111	2 WHEELS COFFEE CONTAINER
2	4001002077	COFFEE CONTAINER BLADE
	4001002077NA	COFFEE CONTAINER BLADE BLACK
3	0230015035	COFFEE CONTAINER BOTTOM
4	VIT0002104	2.9x 13 STAINLESS STEEL TAPPING TCB SCREW
5	0230015114	COFFEE CONTAINER HOOK
6	VIT0000013	M 4x12 TCB SCREW
7	VIT0003301	WASHER D.12 x 4.3 x 1.5
8	VIT0004503	NUT M 4
9	0230015115TR	COFFEE CONTAINER COVER

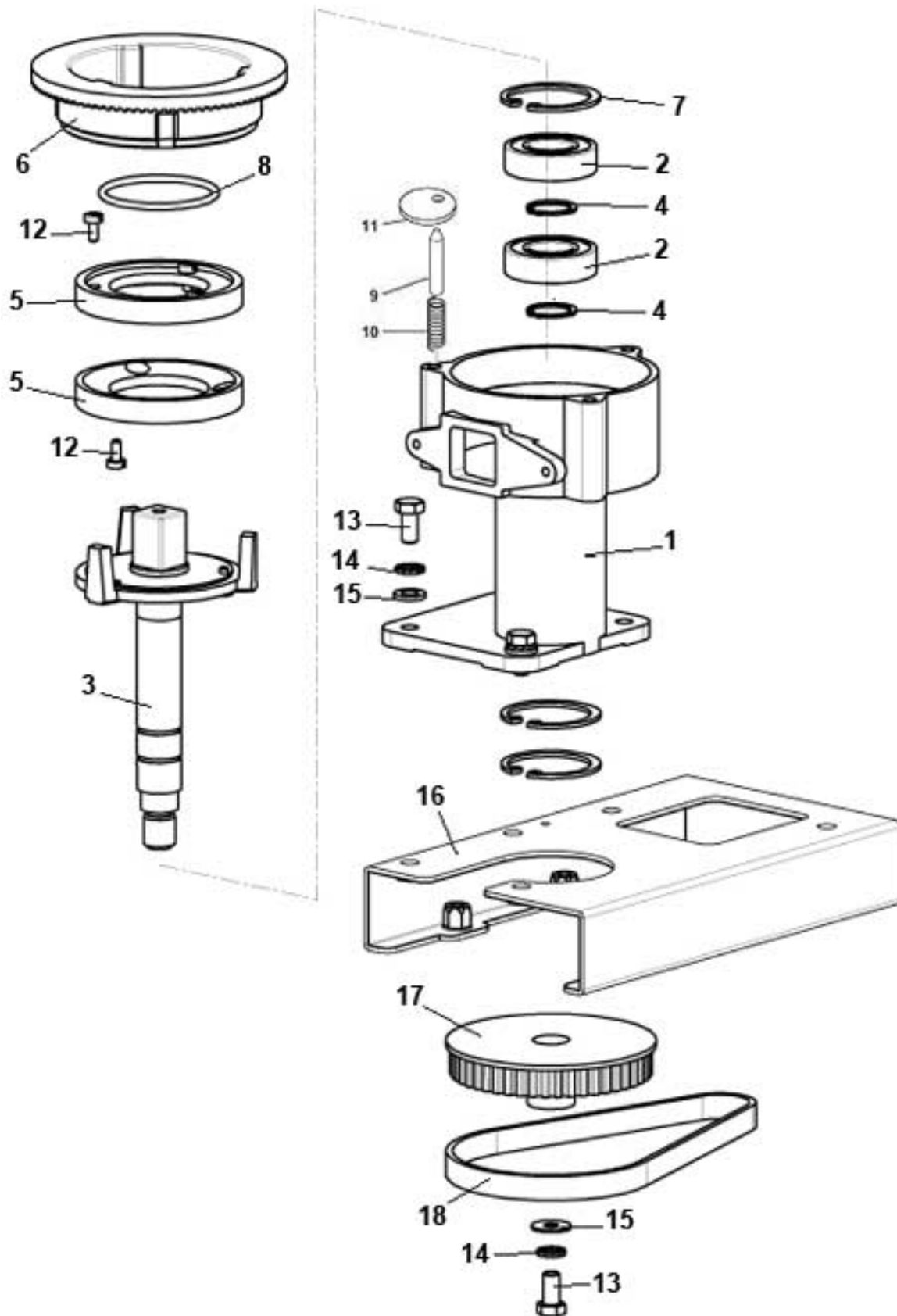
## LUCE HORIZONTAL GRINDER GROUP



## LUCE HORIZONTAL GRINDER GROUP

Pos.	Code	Description	
1	320000053	SETTING KNOB	
2	320000041	GRINDING SETTING PIN	
3	4001002141	GRINDING SETTING SRING	
4	VIT0000012	SCREW T.C.B. M 4 x 10	
5	320000052	SETTING PIN	
6	VIT0005508	4x12 TCEI SCREW	
7	320000119	FLANGE	
8	320000032	BEARING PUSHER	
9	320000010	L.H. BOLT	
10	320000029	GRINDER WASHER	
11	VIT0009301	ZKL BEARING	
12	320000025	GRINDER SUPPORT	
13	0090003004	53/S GRINDER COUPLE	
14	VIT0000024	M 4x8 TCB SCREW	
15	320000008	R.H. WORM SCREW	
16	VIT0006651	D.17 RADIAL STOP RING FOR SHAFT	
17	320000016	SPRING PUSHER	
18	320000015	COMPENSATION SPRING	
19	320000014	SPACER	
20	320000101	GRINDER BODY	
21	VIT0006602	D.35 RADIAL STOP RING FOR HOLE	
22	FASC000401	PUMP+SCREW CLIP	
23	0090003003	HORIZONTAL MILL 220 V 50 HZ MOTOR	
24	ELE0009054	12.5 mf GRINDER MOTOR CONDENSER	
25	VIT0009106	M 5 NUT IN RETAINER	
26	0010018121	MILL MOTOR SUPPORT	
27	VIT0003302	5.5x12x1.5 FLAT WASHER	
28	VIT0003104	WASHER tab D. 5.1	
29	VIT0000209	M 5*14 H.H. SCREW	
100	0320001001CL	GRINDER GROUP (Pos. 1 to 21)	assieme

## LUCE 2 VERTICAL MILL GROUPS



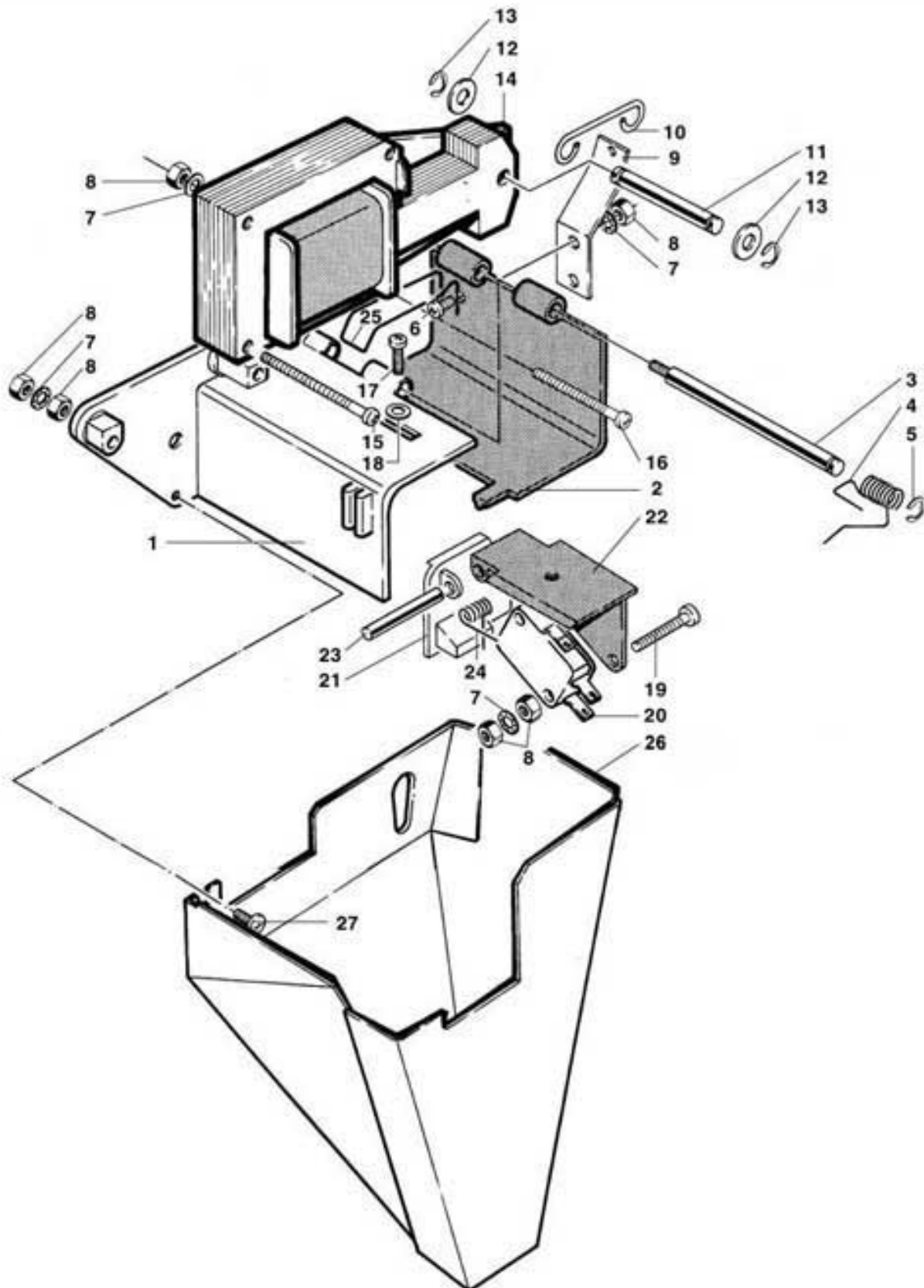


## LUCE 2 VERTICAL MILL GROUPS

Pos.	Code	Description
1	0320004006	GRINDER BODY
2	VIT0009301	ZKL BEARING
3	0320004609	LOWR GRINDER SUPPORT
4	VIT0006651	D.17 RADIAL STOP RING FOR SHAFT
5	0090003004	53/S GRINDER COUPLE
6	0320002004	UPPER GRINDER SUPPORT
7	VIT0006602	D.35 RADIAL STOP RING FOR HOLE
8	GUA0000090	OR 3268
9	0320002011	COMPENSATING PIN
10	270001023	SPRING
11	0320002010	PLATE
12	VIT0000024	M 4x8 TCB SCREW
13	VIT0000213	M 6*12 H.H. SCREW
14	VIT0003105	WASHER tab D. 6.4
15	VIT0003303	WASHER D.6,5 x 18 x 1,5
16	0320004605	GRINDER SUPPORT
17	0320004022	GRINDER PULLEY
18	0090006004	TOOTHED BELT

LUCE

ALUMINIUM BATCHER WOTH INTERNAL MICRO



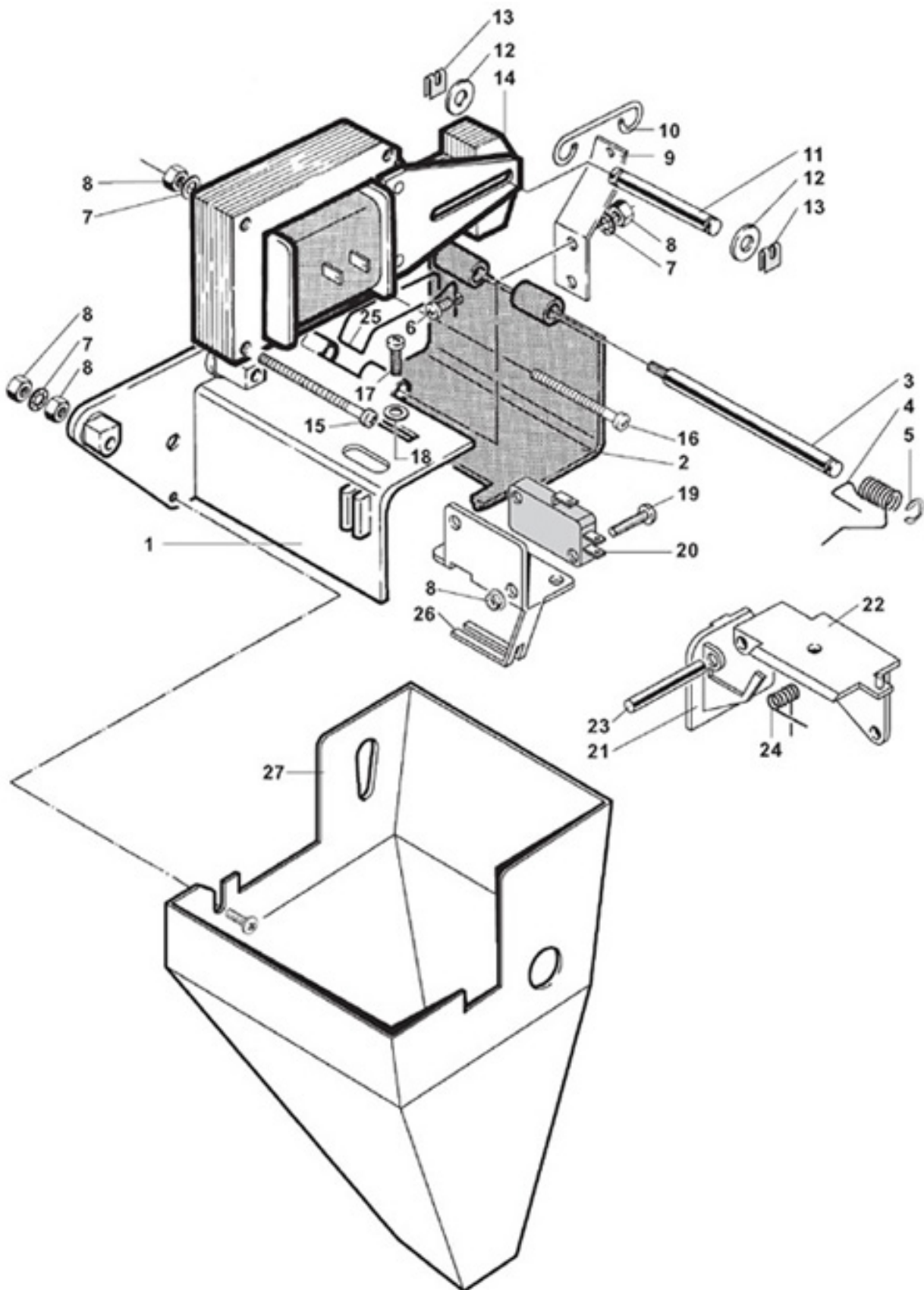
## LUCE

### ALUMINIUM BATCHER WOTH INTERNAL MICRO

Pos.	Code	Description	
1/a	4001002094	BATCHER BODY FOR COFFEE BEANS GROUP D. 36	
1/b	4001002059	BATCHER BODY FOR COFFEE BEANS GROUP D. 40	
2	4001002060	MOBILE WALL	It's part of kit 4001002094R
3	4001002063	BATCHER SHAFT	
4	4001002066	SHAFT SPRING	
5	VIT0006502	D.3.2 RADIAL STOP RING	
6	VIT0000102	M 3x10 TSP SCREW	
7	VIT0003102	WASHER tab D. 3.2	
8	VIT0004502	M3 NUT	
9	0350001105	BATCHER LEVER	
10	0350001106	DRIVING RING	
11	4001002095	ELECTROMAGNET FULCRUM PIN	
12	VIT0003301	WASHER D.12 x 4.3 x 1.5	
13	VIT0006701	D.2.3 RADIAL STOP RING	
14	ELE0000060	24V 50 HZ ELECTROMAGNET	It's part of kit ELE0000060R
15	VIT0000009	M 3x30 TCB SCREW	
16	VIT0000008	M 3x25 TCB SCREW	
17	VIT0000003	M 3x8 TCB SCREW	
18	VIT0003002	D.3.2x7x0.5 WASHER	
19	VIT0000007	M 3x20 TCB SCREW	
20	ELE0001525	1-WAY GOLD-PLATED CONTACT MICRO	
21	4001002062	BATCHER PLATE	
22/a	4001002091	PLATE SUPPORT W/BUSH FOR COFFEE BEANS GROUP D. 36	
22/b	4001002061R	PLATE SUPPORT W/BUSH FOR COFFEE BEANS GROUP D. 40	
23	4001002084	PLATE PIN	
24	350000011	PLATE SPRING	
25	4001002068	MOBILE WALL SPRING	
26/a	0320005061	MICRO COFFEE GROUP CHUTE FOR COFFEE BEANS GROUP D. 36	
26/b	0320005056	MICRO COFFEE GROUP CHUTE FOR COFFEE BEANS GROUP D. 40	
27	VIT0000012	SCREW T.C.B. M 4 x 10	
100	0350002004CL	COFFEE BATCHER GROUP M-I	
101	0350002002CL	BIGGER COFFEE BATCHER GROUP M-I	
102	0350001105R	BATCHER LEVER-DRIVING RING ASSEMBLY (POS.9+10)	assieme
103	ELE0000060R	NT3 ELECTROMAGNET + PIN (POS.11+13+14)	assieme

LUCE

ALUMINIUM BATCHER WOTH EXTERNAL MICRO



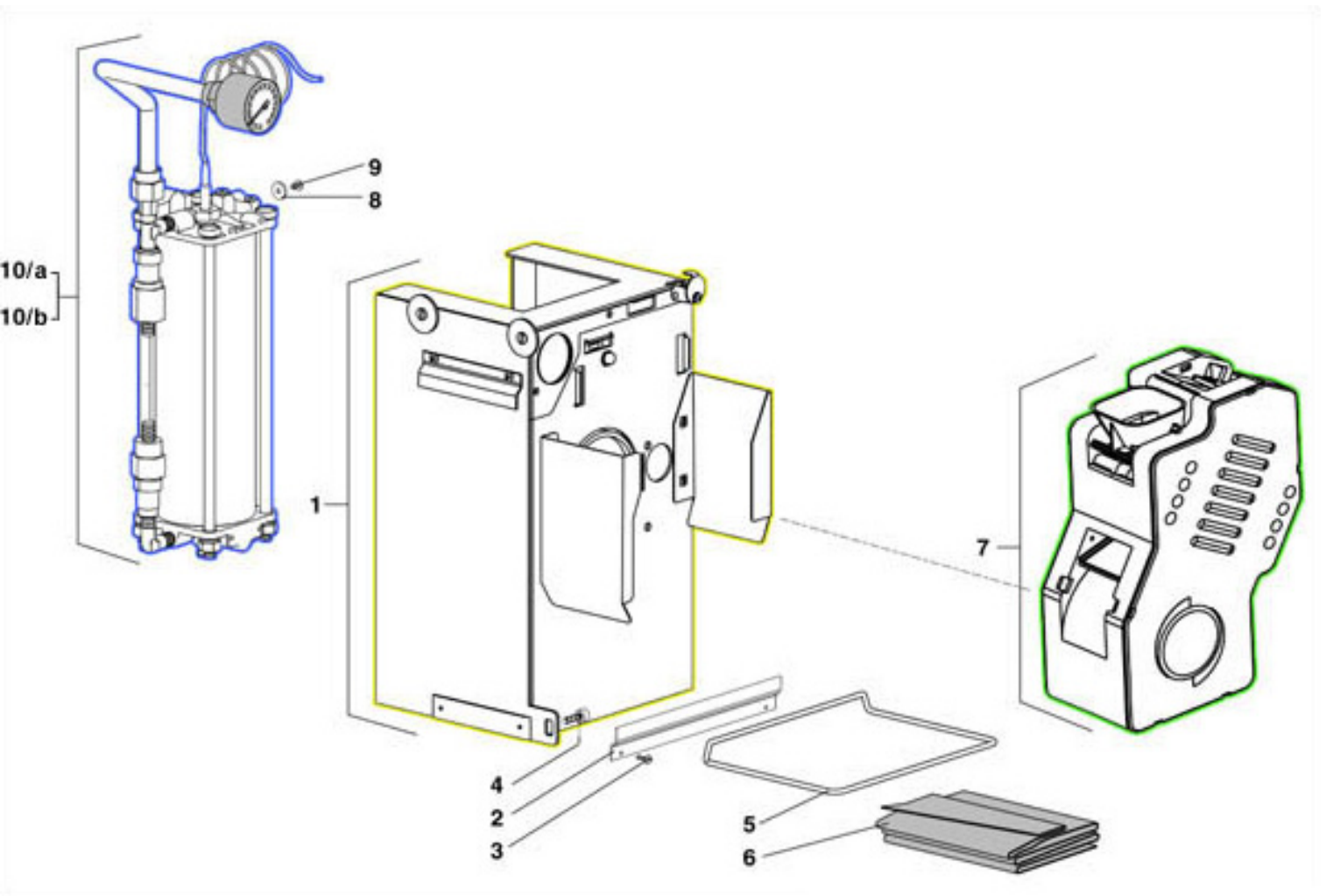
## LUCE

### ALUMINIUM BATCHER WOTH EXTERNAL MICRO

Pos.	Code	Description	
1	4001002094	BATCHER BODY	
2	4001002060	MOBILE WALL	It's part of kit 4001002094R
3	4001002063	BATCHER SHAFT	
4	4001002066	SHAFT SPRING	
5	VIT0006502	D.3.2 RADIAL STOP RING	
6	VIT0000102	M 3x10 TSP SCREW	
7	VIT0003102	WASHER tab D. 3.2	
8	VIT0004701	M3 FR NUT	
9	0350001105	BATCHER LEVER	
10	0350001106	DRIVING RING	
11	4001002095	ELECTROMAGNET FULCRUM PIN	
12	VIT0003202	STAINLESS STEEL FLAT WASHER D.4,3 x 9 x 0,8	
13	VIT0006701	D.2.3 RADIAL STOP RING	
14	ELE0000060	24V 50 HZ ELECTROMAGNET	It's part of kit ELE0000060R
15	VIT0001108	M 3x30 TCB SCREW	
16	VIT0000008	M 3x25 TCB SCREW	
17	VIT0000003	M 3x8 TCB SCREW	
18	VIT0003002	D.3.2x7x0.5 WASHER	
19	VIT0000006	M 3x16 TCB SCREW	
20	ELE0001525	1-WAY GOLD-PLATED CONTACT MICRO	
21	4001002092	BATCHER PLATE	
22/a	4001002091	PLATE SUPPORT W/BUSH FOR COFFEE BEANS GROUP D. 36	
22/b	4001002096	FOR COFFEE BEANS GROUP D. 40	
23	4001002084	PLATE PIN	
24	350000011	PLATE SPRING	
25	4001002068	MOBILE WALL SPRING	
26	4001002093	MICRO SWITCH SUPPROT	
27/a	0320005056	MICRO COFFEE GROUP CHUTE FOR COFFEE BEANS GROUP D. 40	Up to serial 02359999
27/b	0320005061	MICRO COFFEE GROUP CHUTE FOR COFFEE BEANS GROUP D. 36	From serial 02360001
100	0350002001CL	COFFEE BATCHER GROUP	
101	0350002006CL	24V 50Hz DC BIGGER COFFEE BATCHER	assieme
102	0350001105R	BATCHER LEVER-DRIVING RING ASSEMBLY	assieme
103	ELE0000060R	NT3 ELECTROMAGNET + PIN	assieme

LUCE

BOILER - MICRO COFFEE GROUP HOUSING

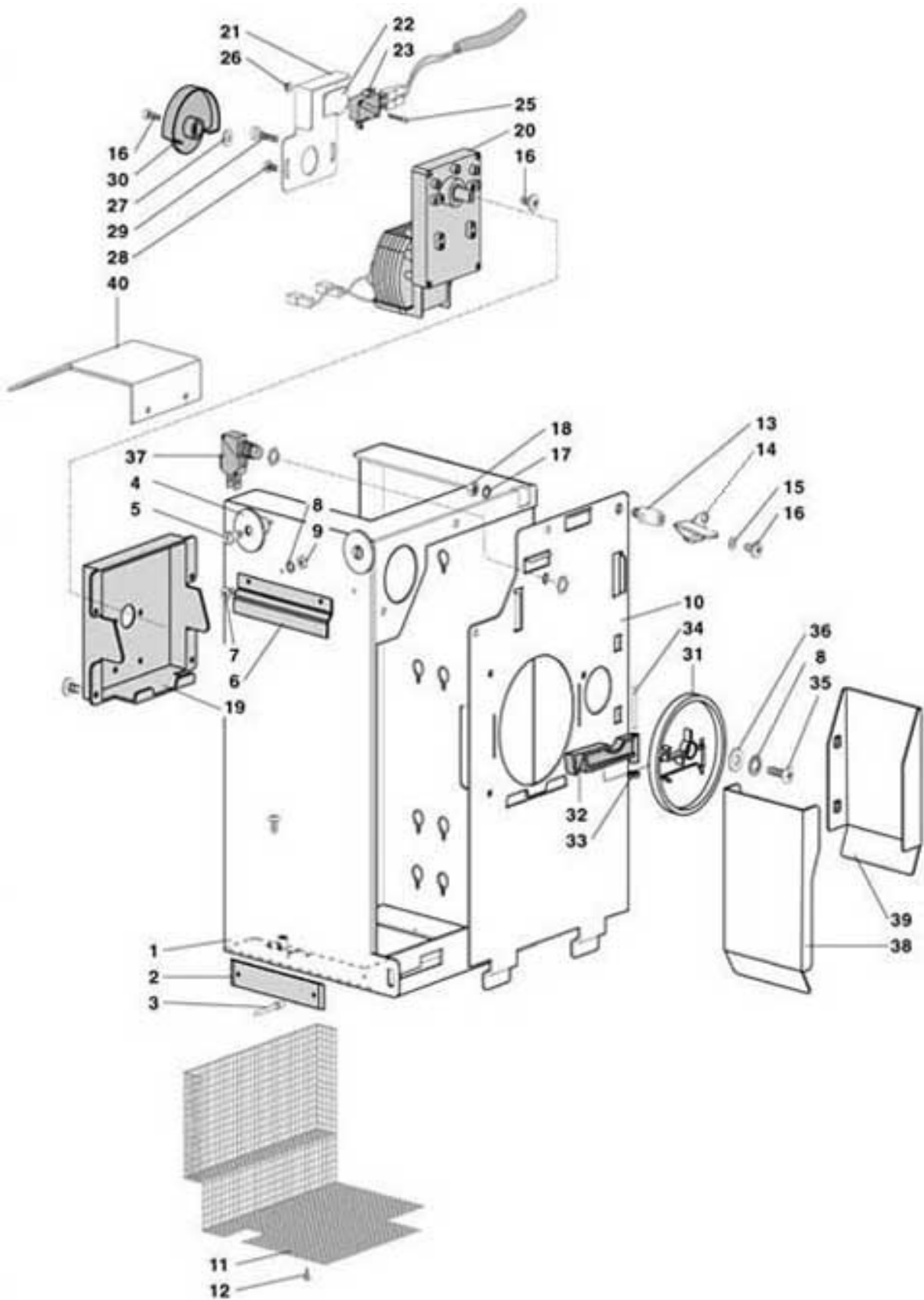


## LUCE

### BOILER - MICRO COFFEE GROUP HOUSING

Pos.	Code	Description
1		See table MICRO COFFEE GROUP HOUSING
2	0260005022	BAG SUPPORT PLATE
3	VIT0002401	SCREW TCB 3.5 x 9.5
4	VIT0000236	E.H SCREW M 6 x 11 + FR
5	0260005021	GROUNDS BAG SUPPORT
6	IMB0000051	COFFEE GROUNDS BAG
7		See table MICRO COFFEE GROUP
8	1600001098	SYNTHETIC RUBBER D.4.5 SPACER
9	VIT0000030	SCREW TCB M4 x 7
10/a		See table MM 195 MICRO GROUP BOILER
10/b		See table MM 150 MICRO GROUP BOILER

## LUCE MICRO COFFEE GROUP HOUSING

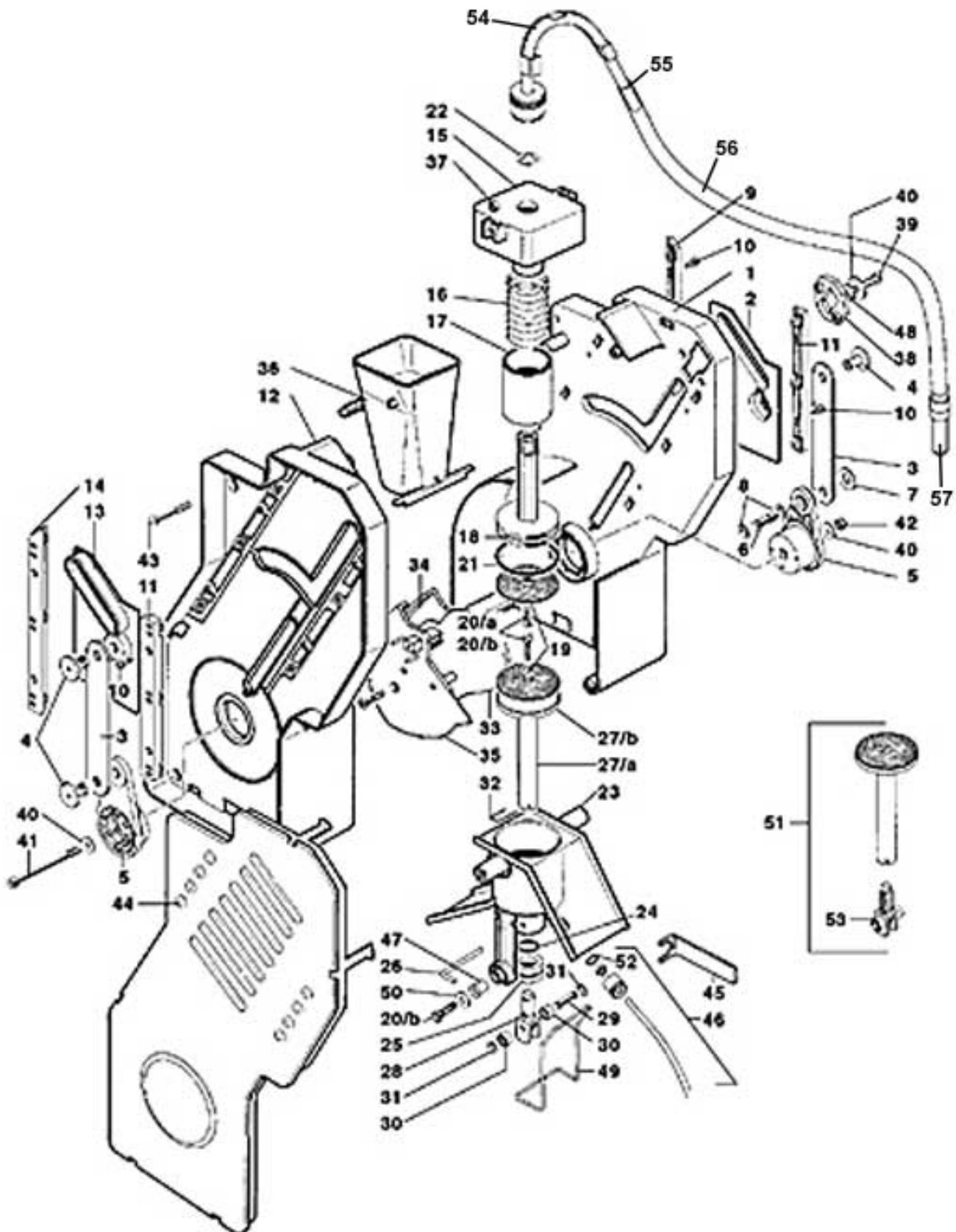




## LUCE MICRO COFFEE GROUP HOUSING

Pos.	Code	Description
1	0260010155	MICRO GROUP BOILER SUPPORT
2	2500002005	SHOE
3	VIT0007025	M 3 x 7 COPPER RIVET
4	2500002003	GROUP SUPPORT ROLL
5	0260003014	ROLL PIN
6	0260005006	PLASTIC GROUP HOUSING GUIDE
7	VIT0000012	SCREW T.C.B. M 4 x 10
8	VIT0003103	WASHER tab D. 4.3
9	VIT0004503	NUT M 4
10	0260010157	FRONT SUPPORT
11	0260010118	PROTECTION
12	VIT0002401	SCREW TCB 3.5 x 9.5
13	0260010103	MICRO GROUP HOOKING BLOCK
14	0010020132	GROUP CONNECTING PLATE
15	VIT0003301	WASHER D.12 x 4.3 x 1.5
16	VIT0000030	SCREW TCB M4 x 7
17	VIT0003105	WASHER tab D. 6.4
18	VIT0004505	NUT M6
19	0260010102	MICRO GROUP MOTOR SUPPORT
	0260010102CK	MICRO GROUP MOTOR SUPPORT DUST GREY RAL 7037
	0260010102KE	MICRO GROUP MOTOR SUPPORT FIRE RED RAL 3000
20	0090002186	MICRO GROUP MOTOR
21	0250008093	MICRO PLATE
22	4600010014	MICRO SPACER
23	ELE0001529	MICRO WITH LEVER
25	VIT0000007	M 3x20 TCB SCREW
26	VIT0004701	M3 FR NUT
27	0250008091	MICRO SPACER
28	0250008092	M4 SPECIAL SCREW
29	VIT0005521	4x25 TCEI SCREW
30	0250008043	GROUP READER DISK
31	0250008012	MOTOR CRANK
32	0250008034	HOOKING LEVER
33	0250008059	SPRING FOR HOOKING LEVER
34	VIT0005205	4 x 40 CYLINDRICAL PIN
35	VIT0005508	4x12 TCEI SCREW
36	VIT0003003	WASHER D.8 x 4.3 x 0.8
37	ELE0001506	MICROSWITCH 83.131.8-IW3M
38	0260010207	COFFEE POWDERS CHUTE
	0260010207CK	COFFEE POWDERS CHUTE DUST GREY RAL 7037
39	0260010112	GROUNDS FEEDER
40	0260005161	SAGOMA PLASTIC GROUP GEAR MOTOR PROTECTION
100	KIT0090002186	MICRO COFFEE BEANS GROUP MODIFICATION KIT

## LUCE MICRO COFFEE GROUP

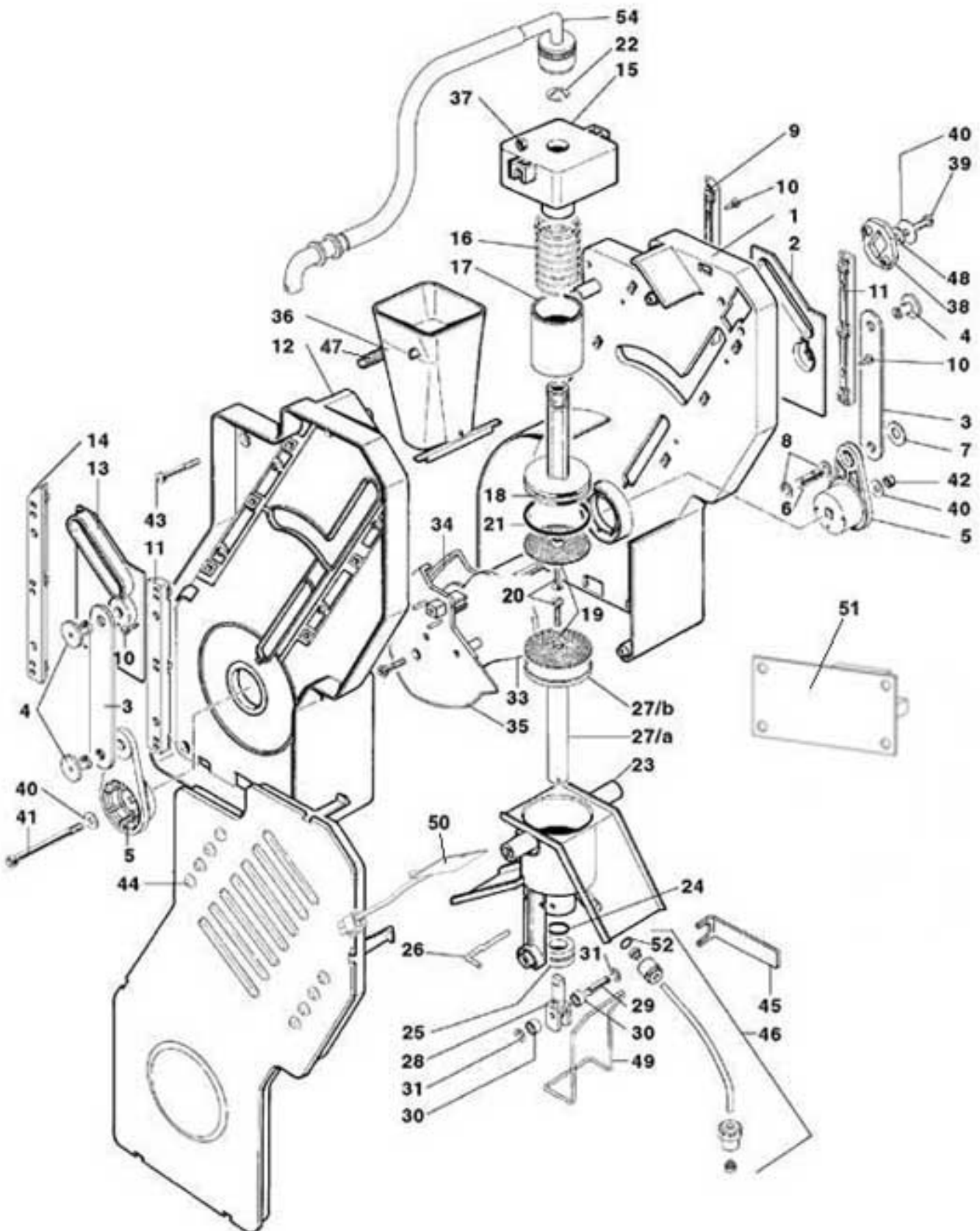


## LUCE MICRO COFFEE GROUP

Pos.	Code	Description
1	0250008005	R.H. FRAME It's part of kit 0250008005R
2	0250008084	R.H. INFUSION CHAMBER CAM
3	0250008009	CONNECTING ROD
4	0250008028	PIN FOR CONNECTING ROD
5	0250008011	R.H. CRANK
6	0250008014	MOTOR CRANK PIN
7	0250008042	ANTIVIBRATION WASHER
8	VIT0006515	D.5 RADIAL STOP RING
9	0250008031	R.H. REAR GUIDE
10	VIT0002026	3.5x 6.5 STAINLESS STEEL TAPPING TCB SCREW
11	0250008033	FRONT GUIDE
12	0250008006	L.H. FRAME It's part of kit 0250008005R
13	0250008085	L.H. INFUSION CHAMBER CAM
14	0250008032	L.H. REAR GUIDE
15	0250008086	UPPER FILTER SUPPORT
16	0250008024	UPPER FILTER SPRING
17	0250008087	SPRING COVER PIPE
18/a	0250008026	D.36 UPPER FILTER FOR COFFEE BEANS GROUP D. 36
18/b	0250008208	D.40 UPPER FILTER FOR COFFEE BEANS GROUP D. 40
	0250008208IC	D.40 UPPER FILTER FOR COFFEE BEANS GROUP D. 40 ORANGE RAL 2011
19/a	0250008099	FILTER FOR COFFEE BEANS GROUP D. 36
19/b	0250008211	FILTER D.40 FOR COFFEE BEANS GROUP D. 40
20/a	VIT0001202	M 3x14 TSP SCREW
20/b	VIT0000121	M 3x8 TSP SCREW
21/a	GUA0000080	SILICONE 4112 OR FOR COFFEE BEANS GROUP D. 36
21/b	GUA0000097	SILICONE 4131 OR FOR COFFEE BEANS GROUP D. 40
22	VIT0006513	D.8 STAINLESS STEEL INSIDE SEEGER
23/a	0250008046R	INFUSION CHAMBER FOR COFFEE BEANS GROUP D. 36
23/b	0250008206R	INFUSION CHAMBER D.40 FOR COFFEE BEANS GROUP D. 40
24	GUA0000065	SILICONE OR 112
25	0250008053	LOWER INLET CUP BUSH
26	0250008029	GLASS BUSH PIN
27/a	0250008108	FILTER SUPPORT SHFT
27/b	0250008122	LOWER FILTER FOR COFFEE BEANS GROUP D. 36
27/c	0250008209	LOWER FILTER D.40 FOR COFFEE BEANS GROUP D. 40
	0250008209IC	LOWER FILTER D.40 FOR COFFEE BEANS GROUP D. 40 ORANGE RAL 2011
28	0250008106	LOWER FILTER ROLL SUPPORT
29	0250008021	ROLL SHAFT
30	0250008022	ROLL SHAFT
31	VIT0006516	D.3.2 RADIAL STOP RING
32	0250008027	LOWER FILTER PIN
33	0250008083	FILTER EJECTION CAM
34	0250008016	R.H. FILTER RECOVERY CAM
35	0250008017	L.H. FILTER RECOVERY CAM
36	0250008036	COFFEE CONE
37	VIT0004803	STAINLESS STEEL NUT M4
38	0250008035	SETTING PLATE
39	VIT0000032	M 4x8 INOX TCB SCREW
40	VIT0003309	4.3x16x1.5 STAINLESS STEEL FLAT WASHER
41	VIT0005523	4x60 STAINLESS STEEL TCEI SCREW
42	VIT0004810	M 4 SELFLOCKING NUT
43	VIT0002461	SCREW TCCCR4 4.2 x 26
44	0250008039	L.H. FRAME COVER
	0250008039CM	L.H. FRAME COVER FOR COFFEE BEANS GROUP D. 40 MERCEDES GREY RAL 9006
	0250008039IC	L.H. FRAME COVER FOR COFFEE BEANS GROUP D. 40 ORANGE RAL 2011
45	0250008048	KEY FOR NUT
46	0250008110CL	WATER INLET PIPER ASSEMBLY
47	VIT0009203	M 3 CONNECTION FOR THERMOPLASTIC
48	VIT0003451	GROWER SPRING WASHER
49	0250008094	SCRAPER
50	0250008088	WASHER FOR CHAMBER CAM
51	0250008109R	D.36 LOWER FILTER+ROLL SUPPORT ASSEMBLY
52	GUA0000061	2010 VITON OR
53	0250008107R	LOWER FILTER ROLL SUPPORT
54	0250008130CL	COFFEE OUTLET PIPE ASSEMBLY
55	FASC000105	PIPES CLIP
56	TSIL06/09T	TRANSPARENT SILICONE PIPE D.6 x 9
57	0380010657NA	DISPENSER PIPE (BLACK)
100	0250008001R	MICRO COFFEE GROUP FOR COFFEE BEANS GROUP D. 36
101	0250008201R	MICRO COFFEE GROUP D.40 FOR COFFEE BEANS GROUP D. 40
102	0250008026R	D.36 UPPER FILTER ASSEMBLY FOR COFFEE BEANS GROUP D. 36
103	0250008208R	D.40 UPPER FILTER ASSEMBLY FOR COFFEE BEANS GROUP D. 40
104	0250008108R	D.36 LOWER FILTER

assieme

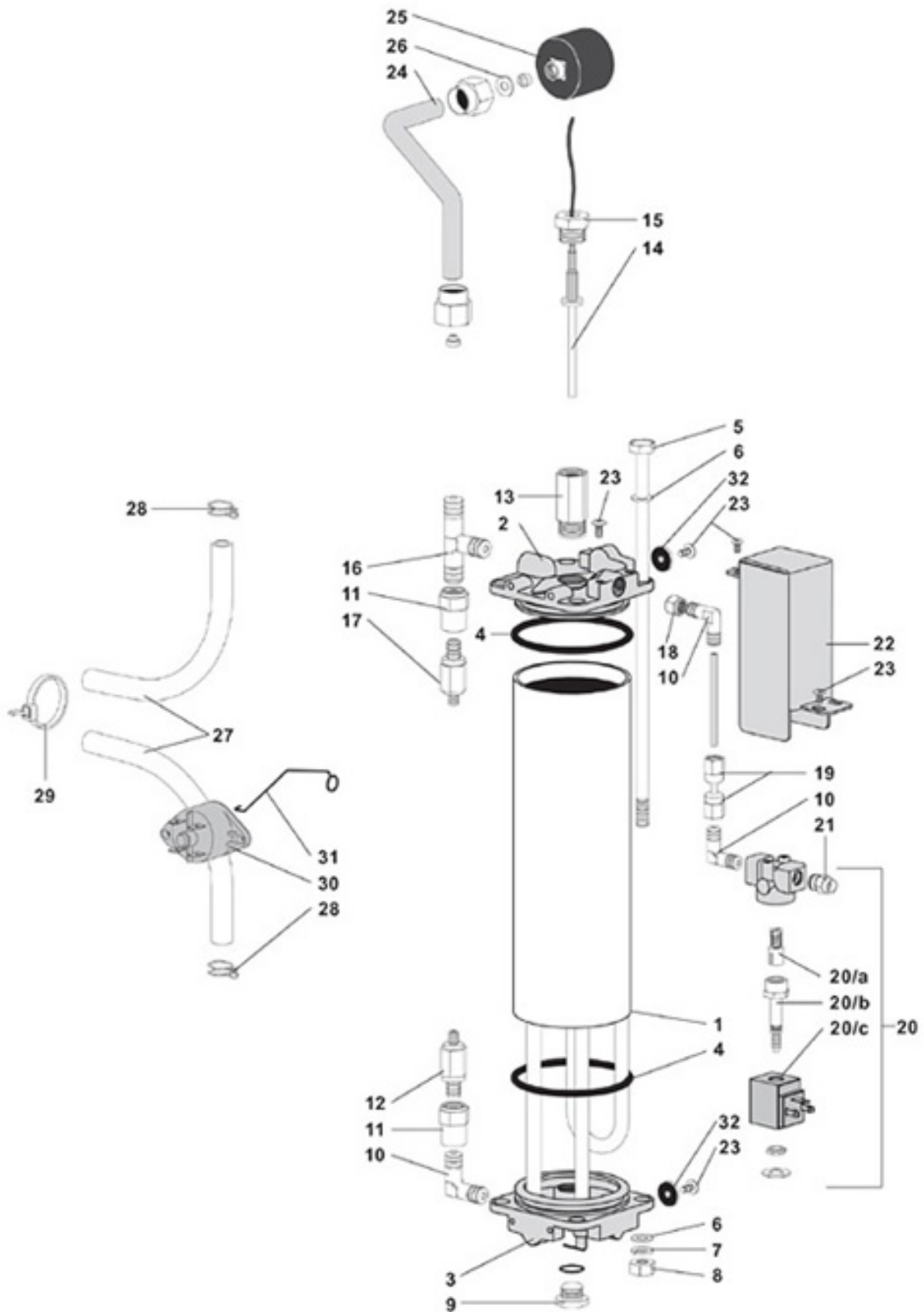
## LUCE HEATED MICRO COFFEE GROUP



## LUCE HEATED MICRO COFFEE GROUP

Pos.	Code	Description
1	0250008005	R.H. FRAME It's part of kit 0250008005R
2	0250008084	R.H. INFUSION CHAMBER CAM
3	0250008009	CONNECTING ROD
4	0250008028	PIN FOR CONNECTING ROD
5	0250008011	R.H. CRANK
6	0250008014	MOTOR CRANK PIN
7	0250008042	ANTIVIBRATION WASHER
8	VIT0006515	D.5 RADIAL STOP RING
9	0250008031	R.H. REAR GUIDE
10	VIT0002026	3.5x 6.5 STAINLESS STEEL TAPPING TCB SCREW
11	0250008033	FRONT GUIDE
12	0250008006	L.H. FRAME It's part of kit 0250008005R
13	0250008085	L.H. INFUSION CHAMBER CAM
14	0250008032	L.H. REAR GUIDE
15	0250008086	UPPER FILTER SUPPORT
16	0250008024	UPPER FILTER SPRING
17	0250008087	SPRING COVER PIPE
18	0250008026	D.36 UPPER FILTER
19	0250008019	FILTER
20	VIT0000121	M 3x8 TSP SCREW
21	GUA0000080	SILICONE 4112 OR
22	VIT0006513	D.8 STAINLESS STEEL INSIDE SEEGER
23	0250008215R	INFUSION CHAMBER WITH GROUNDS CHUTE
24	GUA0000065	SILICONE OR 112
25	0250008053	LOWER INLET CUP BUSH
26	0250008029	GLASS BUSH PIN
27/a	0250008108	FILTER SUPPORT SHFT
27/b	0250008122	LOWER FILTER
28	0250008226	ROLL SUPPORT
29	0250008021	ROLL SHAFT
30	0250008022	ROLL SHAFT
31	VIT0006516	D.3.2 RADIAL STOP RING
33	0250008083	FILTER EJECTION CAM
34	0250008016	R.H. FILTER RECOVERY CAM
35	0250008017	L.H. FILTER RECOVERY CAM
36	0250008036	COFFEE CONE
37	VIT0004803	STAINLESS STEEL NUT M4
38	0250008035	SETTING PLATE
39	VIT0000032	M 4x8 INOX TCB SCREW
40	VIT0003309	4.3x16x1.5 STAINLESS STEEL FLAT WASHER
41	VIT0005523	4x60 STAINLESS STEEL TCEI SCREW
42	VIT0004810	M 4 SELFLOCKING NUT
43	VIT0002461	SCREW TCCCRT 4,2 x 26
44	0250008039	L.H. FRAME COVER
	0250008039CM	L.H. FRAME COVER MERCEDES GREY RAL 9006
	0250008039IC	L.H. FRAME COVER ORANGE RAL 2011
45	0250008048	KEY FOR NUT
46	0250008110CL	WATER INLET PIPER ASSEMBLY
47	0250008119	SPRING
48	VIT0003451	GROWER SPRING WASHER
50	0250008213R	COMPLETE HEATING ELEMENT
51	SCH0006880	HEATING ELEMENT POWER BOARD
52	GUA0000061	2010 VITON OR
54	0250008130CL	COFFEE OUTLET PIPE ASSEMBLY
100	0250008220R	HEATED MICRO COFFEE GROUP D.36
101	0250008227R	ASSEMBLED LOWER FILTER ROLL SUPPORT (POS. 28-29-30-31)

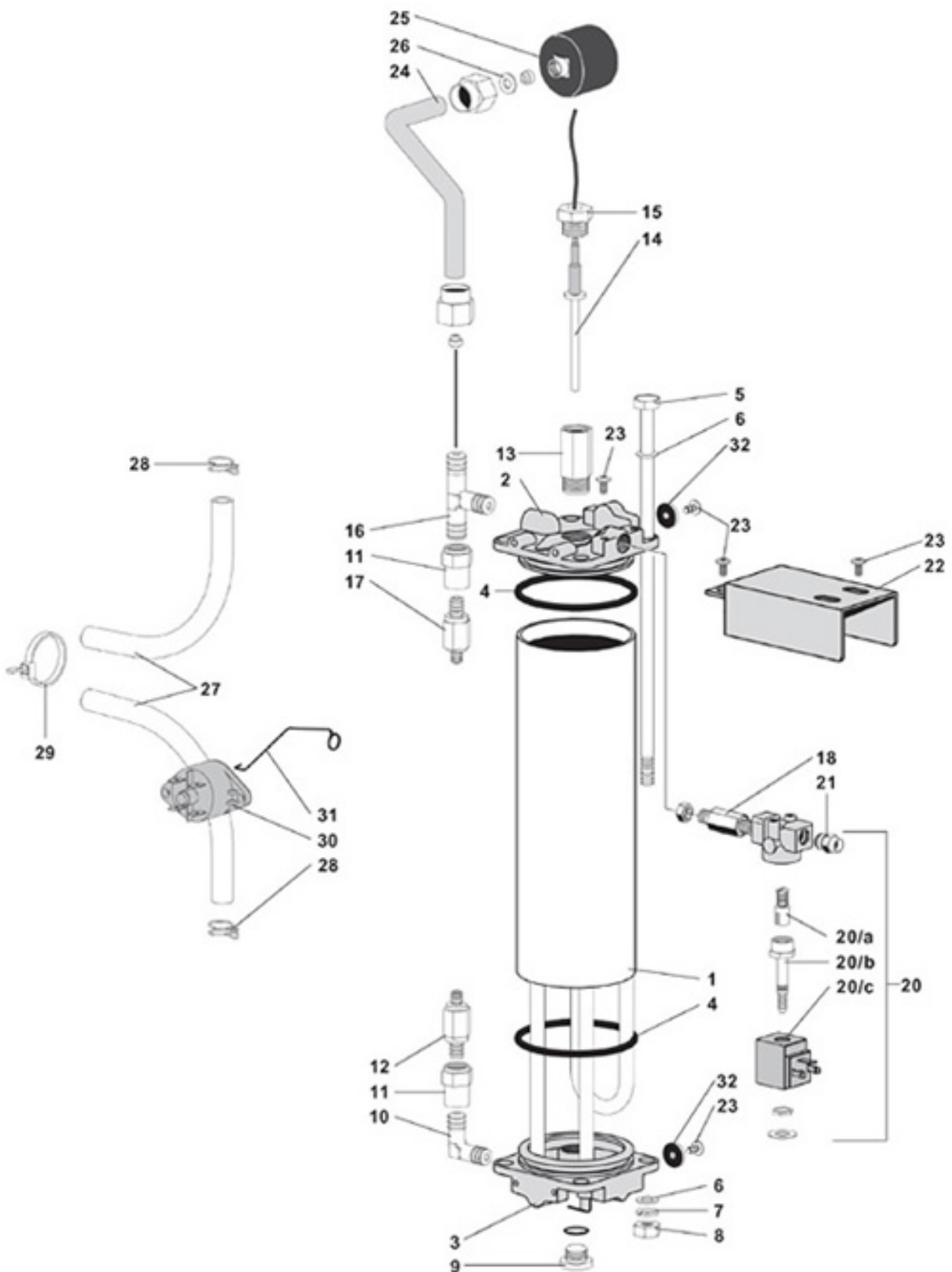
## LUCE MM 195 MICRO GROUP BOILER



## LUCE MM 195 MICRO GROUP BOILER

Pos.	Code	Description
1	250020078	JACKET
2	0600012656	FLANGE WITH PIPE
3	250020081	FLANGE WITH 1100 W 230V HEATING ELEMENT
4	GUA0000047	164 VITON OR
5	250020079	TIE-BOLT
6	VIT0003206	D. 8.4x16x1.6 WASHER
7	VIT0003402	D. 8.4 GROWER SPRING WASHER
8	VIT0004506	M 8 NUT
9	0100001064	174 M PLUG + OR
10	0100001019	L FITTING D.6-1/8M CON.
11	0100001007	STRAIGHT CONNECTION 1/8F -1/8 FEMALE
12	0110002003	1/8M INLET - 1/8M OUTLET NON-RETURN VALVE
13	0100003012	SAGOMA PROBE CONNECTION
14	ELE0000954R	4*60 BULB PROBE
15	0600015507	PROBE PLUG
16	0100001030	T UNION D.6-1/8-D.6
17	0110002004	SAFETY VALVE
18	0100001067	INTERMEDIATE MALE FITTING 1/8 - 1/8
19	0600012653CL	COOFEE BOILER - MICRO GROUP VALVE CONNECTING PIPE
20	0110001072	24 DC 1/8 3-WAY VALVE ODE
20/a	0110010020	CORE WITH SPRING FOR 3-WAY VALVE ODE
20/b	0110010035	3-WAY VALVE SLEEVE ODE
20/c	0110010065	8W 24 D.C. COIL ODE
21	0100001070	STRAIGHT CONNECTION 800 - 1/8 VITON
22	0600012661	VALVE SECURING COVER
23	VIT0000030	SCREW TCB M4 x 7
24	0600012654CL	BOILER MANOMETER CONNECTING PIPE
25	0110006001	D.40 0-20 bar MANOMETER - 1(8' REAR CONN.
26	0100003002	COPPER GASKET
27	TSIL07/11T	TRANSPARENT SILICONE PIPE D.7 x 11
28	FASC000102	D.12 PIPES CLIP
29	FASC000201	COLLAR
30	ELE0009001	120° CLICSON
31	250020087	SAFETY SWITCH SECURING SPRING
32	1600001098	SYNTHETIC RUBBER D.4.5 SPACER
100	0600012650CL	COFFEE BOILER mm 195 FOR MICRO GROUP <span style="float: right;">assieme</span>

## LUCE MM 150 MICRO GROUP BOILER





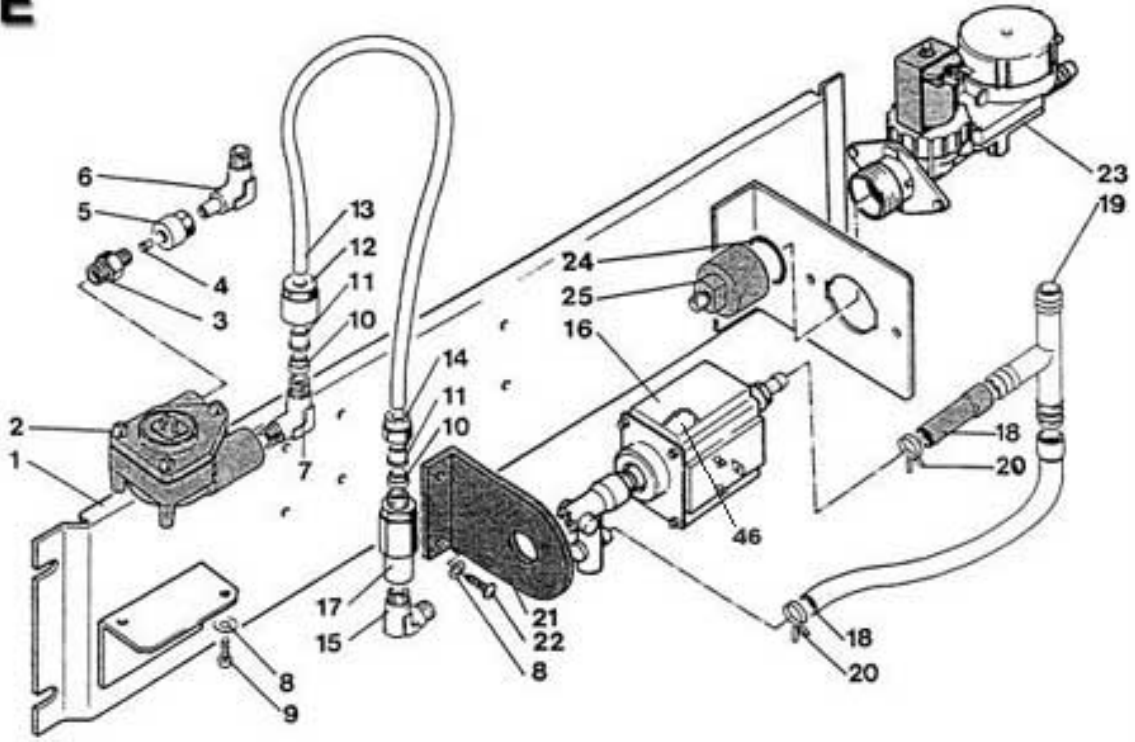
## LUCE MM 150 MICRO GROUP BOILER

Pos.	Code	Description
1	0600012514	JACKET MM 150
2	0600012656	FLANGE WITH PIPE
3	0600012512R	REAR FLANGE+HEATING ELE.+POS.38 ASSEMBLY POS. 3+9
4	GUA0000047	164 VITON OR
5	0600012515	TIE-BOLT MM 177
6	VIT0003206	D. 8.4x16x1.6 WASHER
7	VIT0003402	D. 8.4 GROWER SPRING WASHER
8	VIT0004506	M 8 NUT
9	0100001064	174 M PLUG + OR
10	0100001019	L FITTING D.6-1/8M CON.
11	0100001007	STRAIGHT CONNECTION 1/8F -1/8 FEMALE
12	0110002003	1/8M INLET - 1/8M OUTLET NON-RETURN VALVE
13	0100003012	SAGOMA PROBE CONNECTION
14	ELE0000954R	4*60 BULB PROBE
15	0600015507	PROBE PLUG
16	0100001030	T UNION D.6-1/8-D.6
17	0110002004	SAFETY VALVE
18	0600012658	VALVE BOILER CONNECTION
20	0110001072	24 DC 1/8 3-WAY VALVE ODE
20/a	0110010020	CORE WITH SPRING FOR 3-WAY VALVE ODE
20/b	0110010035	3-WAY VALVE SLEEVE ODE
20/c	0110010065	8W 24 D.C. COIL ODE
21	0100001070	STRAIGHT CONNECTION 800 - 1/8 VITON
22	0600012659	VALVE COVER
23	VIT0000030	SCREW TCB M4 x 7
24	0600012662CL	BOILER MANOMENTER CONNECTING PIPE
25	0110006001	D.40 0-20 bar MANOMETER - 1(8' REAR CONN.
26	0100003002	COPPER GASKET
27	TSIL07/11T	TRANSPARENT SILICONE PIPE D.7 x 11
28	FASC000102	D.12 PIPES CLIP
29	FASC000201	COLLAR
30	ELE0009001	120° CLICSON
31	250020087	SAFETY SWITCH SECURING SPRING
32	1600001098	SYNTHETIC RUBBER D.4.5 SPACER
100	0600012660CL	COFFEE BOILER MM 150 FOR MICRO GROUP

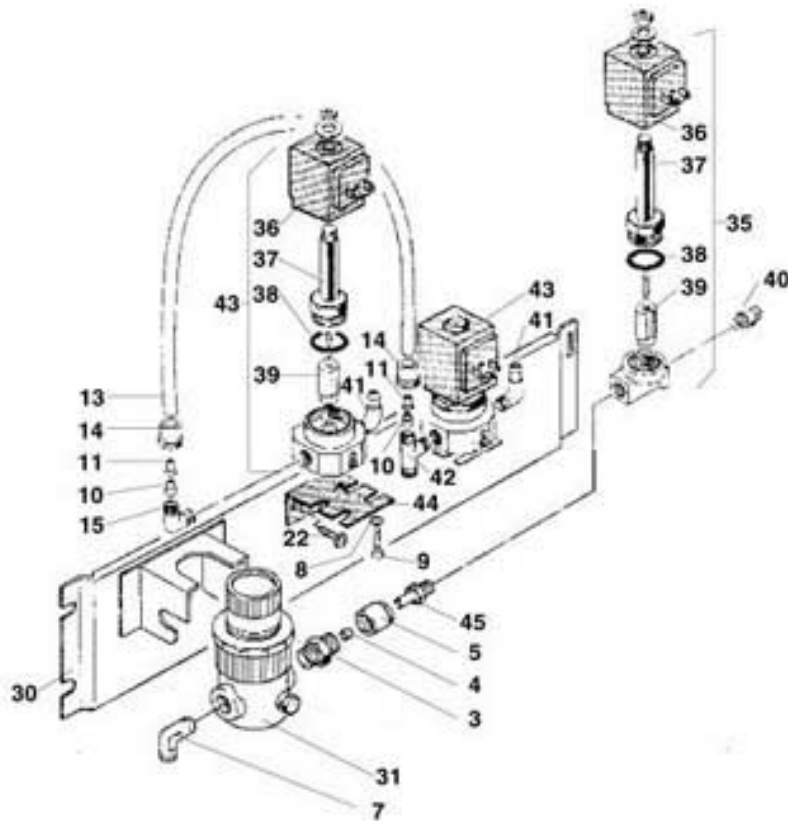
assieme

## LUCE INLET ASSEMBLY E-E/FP VERSION

### E



### E/FP

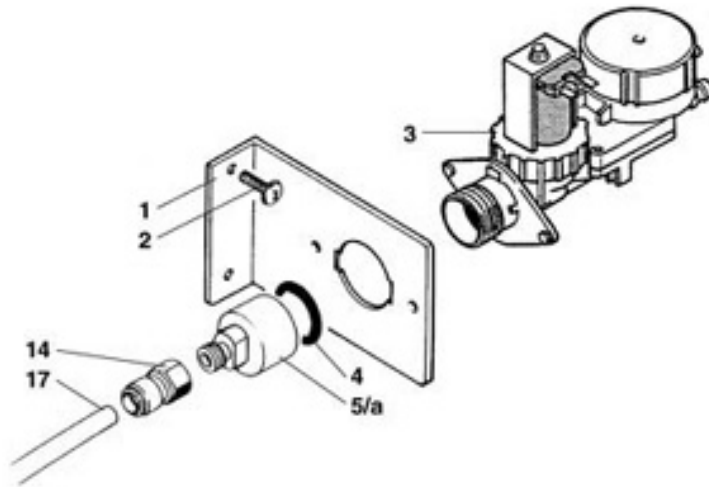


## LUCE INLET ASSEMBLY E-E/FP VERSION

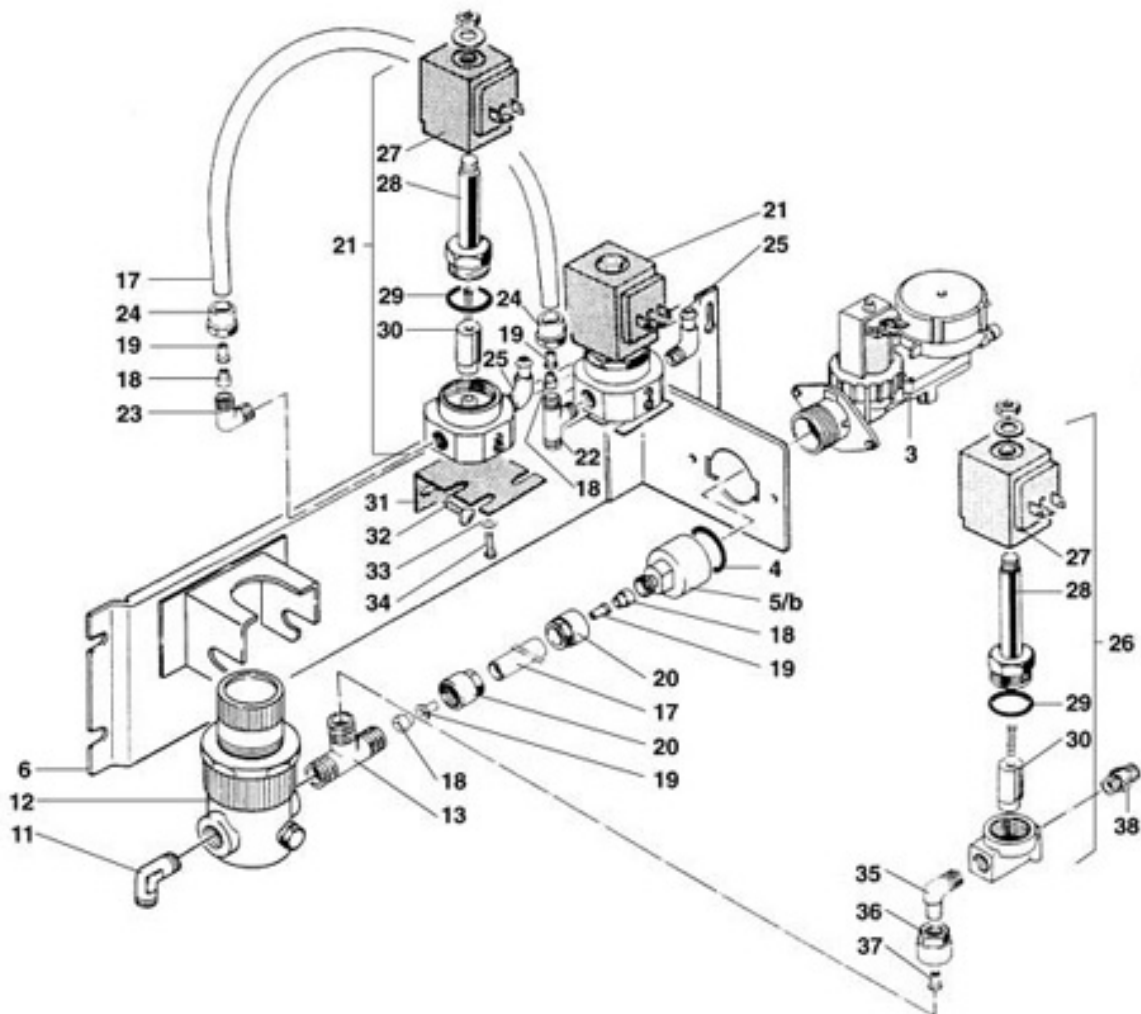
Pos.	Code	Description	
1	0810010555	WATER COMPONENTS SUPPORT	
2	0110007001	1/4 VOLUME COUNTER	
3	0100001015	STRAIGHT CONNECTION D.8-1/4 CONIC	
4	0100002003	LOCKING RING D.8	
5	0100001004	NUT FOR D.8-1/4 PIPE FITTING	
6	0100001026	L FITTING D.8-1/4 CAN BE ORIENTED	
7	0100001059	TURNING ELBOW 6-1/4 VITON OR	
8	VIT0003301	WASHER D.12 x 4.3 x 1.5	
9	VIT0000204	M 4X8 TSP SCREW	
10	0100002002	LOCKING RING D.6	
11	0100002005	STRENGTHENING BUSH D.4	
12	0100001003	NUT FOR PIPE FITTING D.6-1/4	
13	TNAY000001	D.6*4 POLYAMIDE PIPE	
14	0100001002	NUT FOR PIPE FITTING D.6	
15	0100001019	L FITTING D.6-1/8M CON.	
16/a	0110004002R	ELECTROMAGNETIC PUMP 12 bar FOR COFFEE BEANS GROUP D. 36	
16/b	0110004021	230V 50 HZ PUMP FOR XS CABINET FOR COFFEE BEANS GROUP D. 40	
17	0110002007	1/8M INLET - 1/8M OUTLET NON-RETURN VALVE	
18/a	TSIL07/11T	TRANSPARENT SILICONE PIPE D.7 x 11 FOR COFFEE BEANS GROUP D. 36	
18/b	TSIL06/11T	TRANSPARENT SILICONE PIPE FOR COFFEE BEANS GROUP D. 40	
19	0100003007	TEE UNION	
20	FASC000101	PIPES CLIP	
21/a	0220001002	PUMP SUPPORT FOR COFFEE BEANS GROUP D. 36	
21/b	0110004022	SQUARE SUPPORT FOR COFFEE BEANS GROUP D. 40	
22	VIT0002401	SCREW TCB 3.5 x 9.5	
23	0110001039	24 DC INLET VALVE W/SAFETY DEV.	
24	GUA0000021	GASKET 130	
25	0810010556	1/4'M GAS VALVE CONNECTION	
30	0810010588	WATER COMPONENTS SUPPORT	
31	0110003007	WATER MICROREGULATOR 1/4 0-8 bar	
35	0110001064	24 DC 1/8 VALVE WITHOUT/SETTING	
36	0110010065	8W 24 D.C. COIL ODE	
37	0110010088	2-WAY VALVE SLEEVE	
38	0110010009	OR FOR 2-WAY VALVE	
39	0110010021	CORE WITH SPRING FOR 2-WAY VALVE	
40	0100001017	STRAIGHT MALE CONNECTION D.6-1/8	
41/a	820001039	ELBOW TO RUBBERHOLDER CONNECTION FOR COFFEE BEANS GROUP D. 36	
41/b	0110004023	PIPETTE FOR COFFEE BEANS GROUP D. 40	
42	0100001030	T UNION D.6-1/8-D.6	
43	0110001076	24 DC 1/8 2-WAY VALVE WITH SETTING	
44	0810010211	VALVE SUPPORT BRACKET	
45	9003001040	WATER INLET VALVE CONNECTION	
46	ELE0000915	THERMIC PROTECTION FOR COFFEE BEANS GROUP D. 40	
100	0810010100CL	E DC VERSION INLET ASSEMBLY FOR COFFEE BEANS GROUP D. 36	assieme
101	0810010101CL	E/FP VERSION - 2 DC VALVES ASSEMBLY FOR COFFEE BEANS GROUP D. 36	
102	0810010107CL	E/FP VERSION - 2 DC VALVES ASSEMBLY FOR COFFEE BEANS GROUP D. 36	assieme
103	0810010128CL	LUCE E DC EX 7 VERSION ASSEMBLY FOR COFFEE BEANS GROUP D. 40	

## LUCE INLET ASSEMBLY H-H/FP VERSION

### H



### H/FP

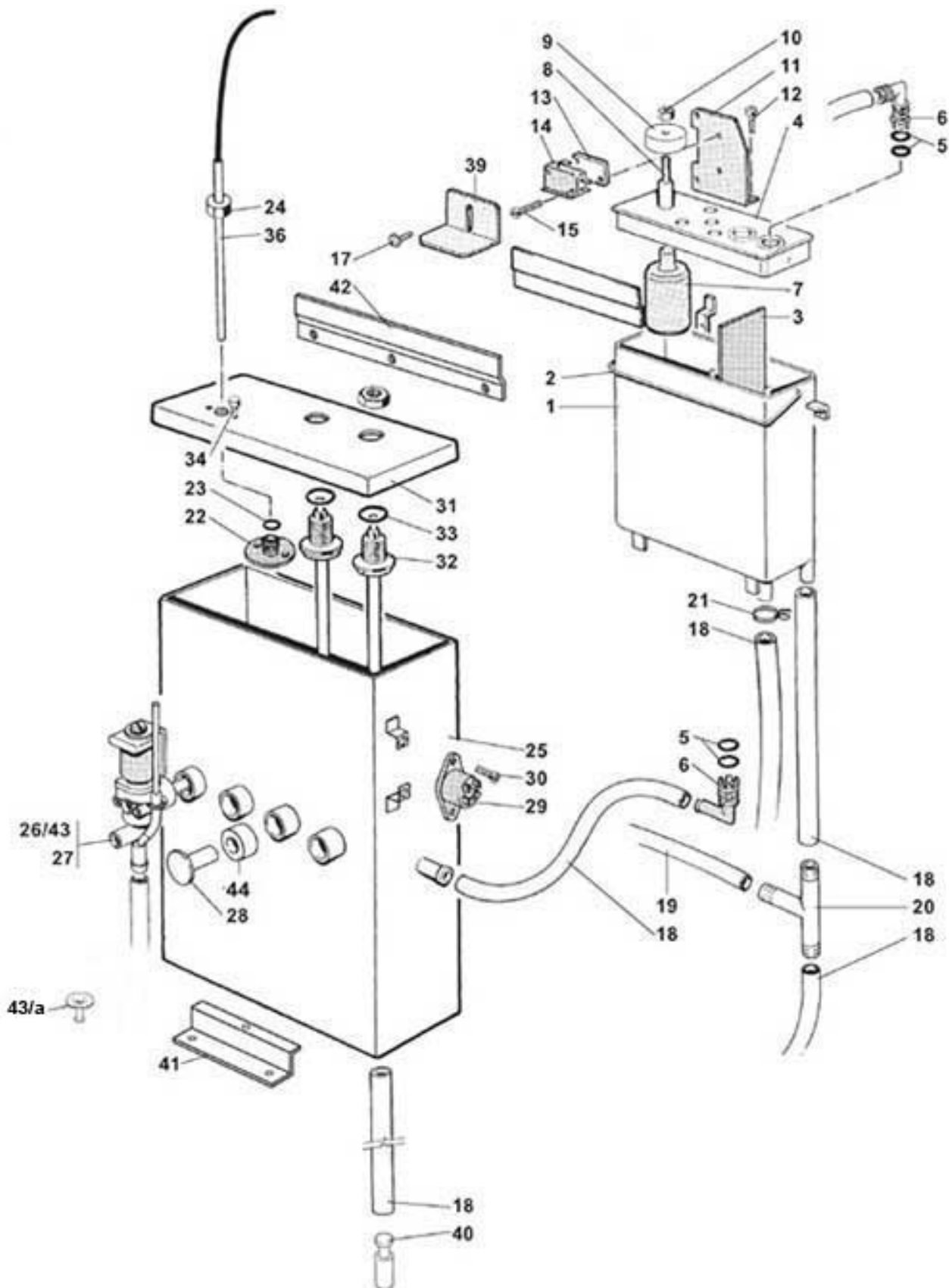


## LUCE INLET ASSEMBLY H-H/FP VERSION

Pos.	Code	Description
1	0070012111	WATER INLET VALVE SUPPORT
	0070012111CK	WATER INLET VALVE SUPPORT DUST GREY RAL 7037
2	VIT0000030	SCREW TCB M4 x 7
3	0110001119	24V INLET SAFETY VALVE
4	GUA0000021	GASKET 130
5/a	0010019223	3/8 GAS M WATER INLET VALVE CONNECTION
5/b	0810010556	1/4" M GAS VALVE CONNECTION
6	0810010587	WATER COMPONENTS SUPPORT
11	0100001059	TURNING ELBOW 6-1/4 VITON OR
12	0110003007	WATER MICROREGULATOR 1/4 0-8 bar
13	0100001039	T UNION 1/4-D.8-D.8
14	0100005003	STRAIGHT TERMINAL D.6 - 1/4 F.
17	TNAY000001	D.6*4 POLYAMIDE PIPE
18	0100002002	LOCKING RING D.6
19	0100002005	STRENGTHENING BUSH D.4
20	0100001003	NUT FOR PIPE FITTING D.6-1/4
21	0110001076	24 DC 1/8 2-WAY VALVE WITH SETTING
22	0100001030	T UNION D.6-1/8-D.6
23	0100001019	L FITTING D.6-1/8M CON.
24	0100001002	NUT FOR PIPE FITTING D.6
25	820001039	ELBOW TO RUBBERHOLDER CONNECTION
26	0110001064	24 DC 1/8 VALVE WITHOUT/SETTING
27	0110010065	8W 24 D.C. COIL ODE
28	0110010088	2-WAY VALVE SLEEVE
29	0110010009	OR FOR 2-WAY VALVE
30	0110010021	CORE WITH SPRING FOR 2-WAY VALVE
31	0810010211	VALVE SUPPORT BRACKET
32	VIT0002401	SCREW TCB 3.5 x 9.5
33	VIT0003301	WASHER D.12 x 4.3 x 1.5
34	VIT0000204	M 4X8 TSP SCREW
35	250020146	ELBOW CONNECTION
36	0100001004	NUT FOR D.8-1/4 PIPE FITTING
37	0100002003	LOCKING RING D.8
38	0100001017	STRAIGHT MALE CONNECTION D.6-1/8
100	0810010108CL	H/FP VERSION INLET ASSEMBLY W/SAF. DEVICE

assieme

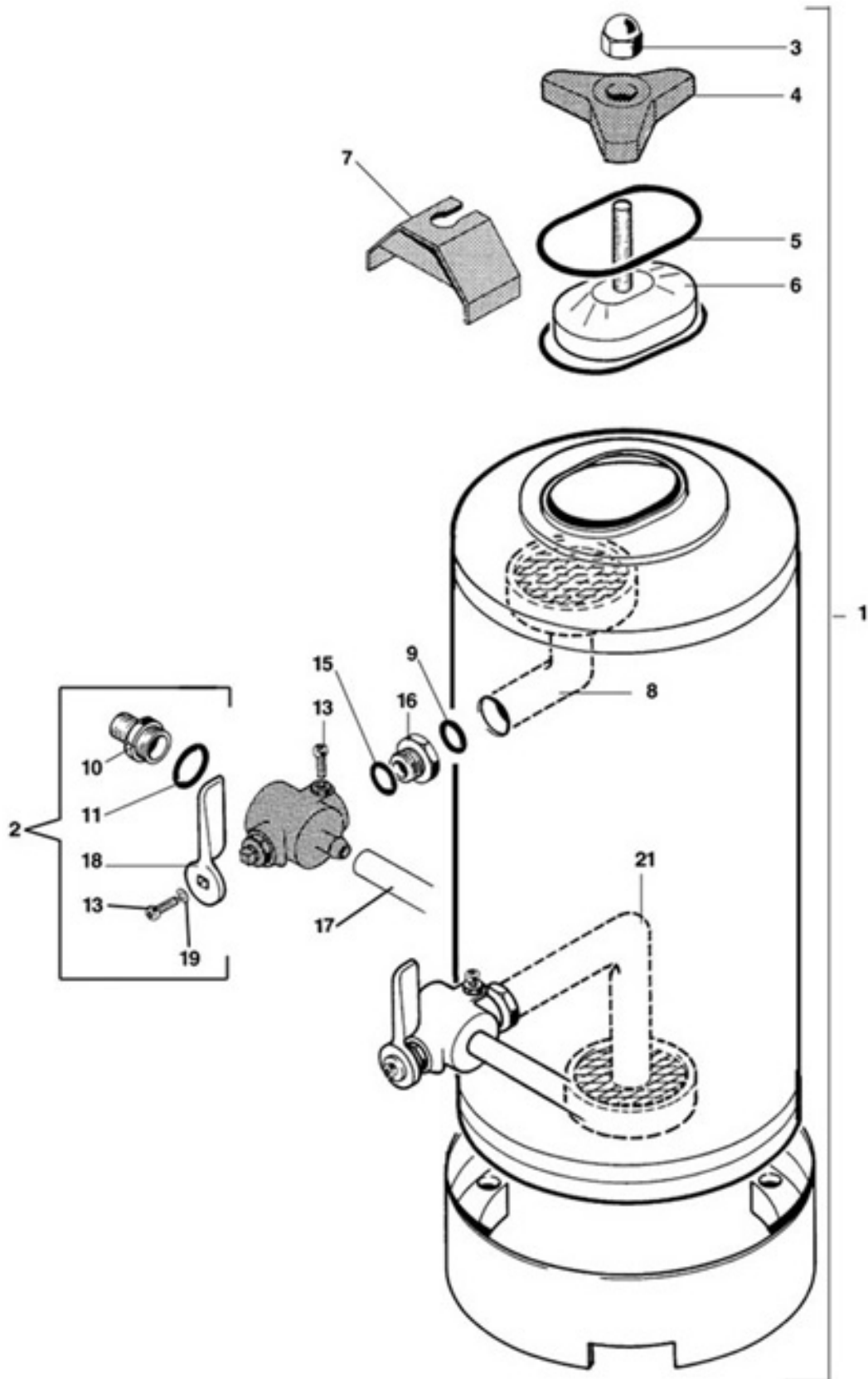
## LUCE WATER INLET PANEL



## LUCE WATER INLET PANEL

Pos.	Code	Description
1	0800009201	SOLUBLE TANK BODY It's part of kit 0800009201R
2	800000035	COVER SECURING RING
3	800000010	TANK INTERNAL WALL
4	0800009221	TANK COVER It's part of kit 0800009201R
5	GUA0000043	OR 109
6	0800009211	ELBOW WITH RAPID CONNECTION
7	600001065	FLOATER
8	800000016	STAINLESS STEEL FLOATER PIN
9	800000017	MICRO FLOATER CONTROL DISK
10	VIT0004812	M 3.5 BRASS NUT
11	800000020A	MICRO FLOATER SUPPORT
12	VIT0002014	TAPPING SCREW TCB 2.9 x 13
13	4600010014	MICRO SPACER
14	ELE0001514	3 A 250 V MICROSWITCH
15	VIT0002012	2.9x 16 TAPPING TCB SCREW
17	VIT0002401	SCREW TCB 3.5 x 9.5
18	TSIL07/11T	TRANSPARENT SILICONE PIPE D.7 x 11
19	TSIL05/08T	TRANSPARENT SILICONE PIPE D.5 x 8
20	0100003003	TEE UNION
21	FASC000109	D.12 PIPES CLIP
22	NL202101016	SOLUBLES PROBE SUPPORT
23	GUA0000069	2015 OR
24	0600011107	SOLUBLES PROBE NUT
25/a	0600012052	4-VALVES BOILER TANK AISI 316
25/b	0600012051	3-VALVES BOILER TANK AISI 316
25/c	0600012053	5-VALVES BOILER TANK AISI 316
26	0110001081	24 V DC 2-WAY VALVE -ERA
27	0110001095	24DC 70% 2-WAY SOLENOID VALVE O. Up to serial 04219999
27/a	0110010127	CORE W/SPRING FOR VALVE 70% Up to serial 04219999
27	0110001108	24 DCVALVE 2-WAY 70% O From serial 04220001
27/a	0110010132	GASKET FOR EV 0110001108 From serial 04220001
27/b	0110010133	CORE FOR EV. 0110001108 From serial 04220001
28	0600011036	VALVE CONNECTION PLUG
29	ELE0009015	90° CLICSON
30	VIT0000014	M 4x16 TCB SCREW
31	0600011101	COVER
32	0600011105	1300W 230V INCOLOY SOLUBLES HEATING ELEMENT
33	GUA0000016	GASKET 121
34	VIT0001105	M 3x8 STAINLESS STEEL H.H. SCREW
36	ELE0000955R	4*125 BULB PROBE FOR SOLUBLES
39	0810011025	BOILER COVER STOP
40	650001057	DISCHARGE PLUG
41	0010015141	BOILER LOWER BRACKET
42	0010015142	BOILER UPPER BRACKET
43	0110001098	24 V DC 2-WAY VALVE - MULLER
43/a	0110010131	VALVE MEMBRANE
44	GUA0002006	GASKET 4979

## LUCE SWEETENER

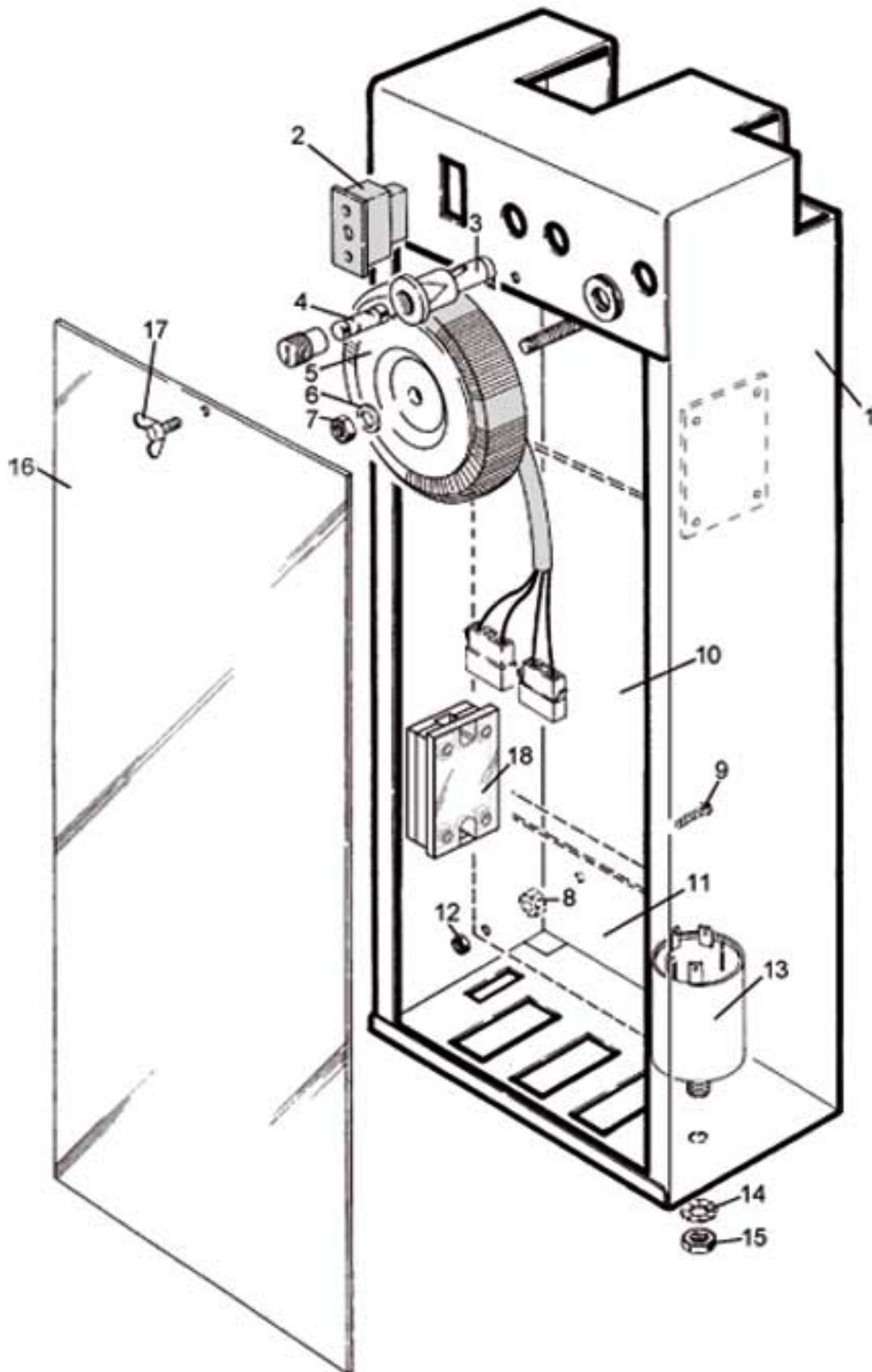




## LUCE SWEETENER

Pos.	Code	Description	
1	0060002001	SWEETENER ASSEMBLY	assieme
2	0060002030	COCK ASSEMBLY	assieme
3	0060002031	SWEETENER NUT WITH SPHERIC COVER	
4	0060002032	SWEETENER COVER WHEEL	
5	GUA0000035	OR FOR SWEETENER COVER	
6	0060002033	SWEETENER COVER	
7	0060002034	SWEETENER BRIDGE	
8	0060002035	SWEETENER UPPER FILTER	
9	GUA0000018	GASKET 125	
10	0060002036	SWEETENER COCK CONNECTION	
11	GUA0000013	GASKET 117	
13	VIT0001005	SCREW T.C.B. M 4 x 12	
15	0060002037	SWEETENER R 9 GASKET	
16	0060002038	SWEETENER NUT D. 20*1.5	
17	TSIL06/09T	TRANSPARENT SILICONE PIPE D.6 x 9	
18	0060002039	SWEETENER HANDLE	
19	VIT0003301	WASHER D.12 x 4.3 x 1.5	
21	0060002040	SWEETENER LOWER FILTER	

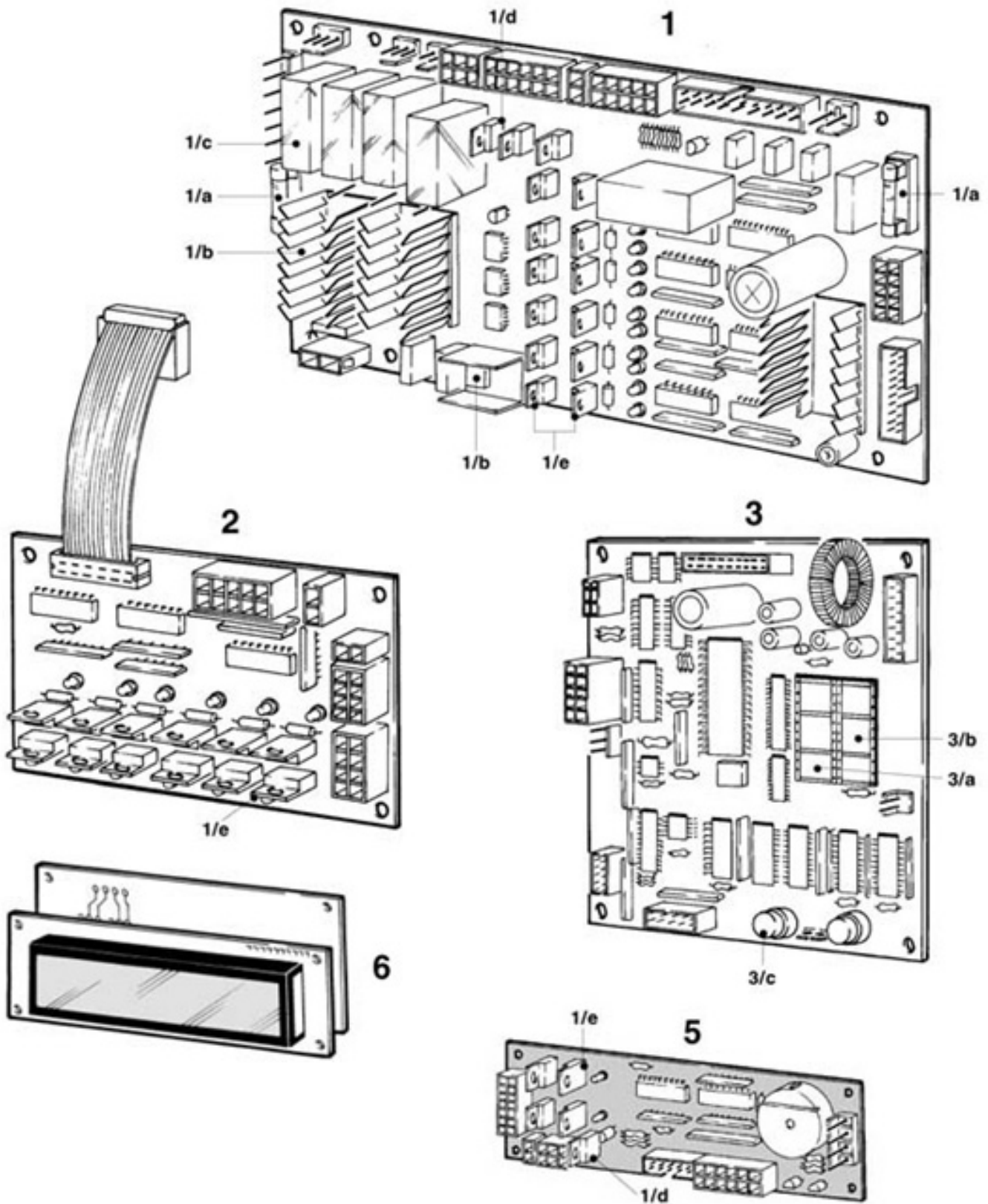
## LUCE CONTROL PANEL



## LUCE CONTROL PANEL

Pos.	Code	Description
1	0130011555	CONTROL PANEL STRUCTURE
2	ELE0002305	10 A 250 V SOCKET
3	ELE0003507	FUSES HOLDER
4/a	ELE0003023	4 A 6.3x32 SLOW-BLOW CERAMIC TYPE FUSE
4/b	ELE0003024	SLOW-BLOW CERAMIC TYPE 6.3A FUSES 5 x 20
5/a	ELE0000561R	TOROIDAL TRANSFORMER
5/b	ELE0000565R	150VA E.230V-U.26-8,6V TOROIDAL TRANSFORMER
6	VIT0003005	6.4x12.5x1.6 FLAT WASHER
7	VIT0004505	NUT M6
8	0020018125	BOARD SPACER
9	VIT0000014	M 4x16 TCB SCREW
10		See table CONTROL AND POWER LOGIC
11		See table CONTROL AND POWER LOGIC
12	VIT0004503	NUT M 4
13	ELE0009055	ANTIPARASITIC FILTER
14	VIT0003106	WASHER tab D. 8
15	VIT0004506	M 8 NUT
16	0130011561	CONTROL PANEL COVER
17	VIT0007008	M 4 x 10 SCREW
18	ELE0001014	24 V DC RELAY

## LUCE CONTROL AND POWER LOGIC

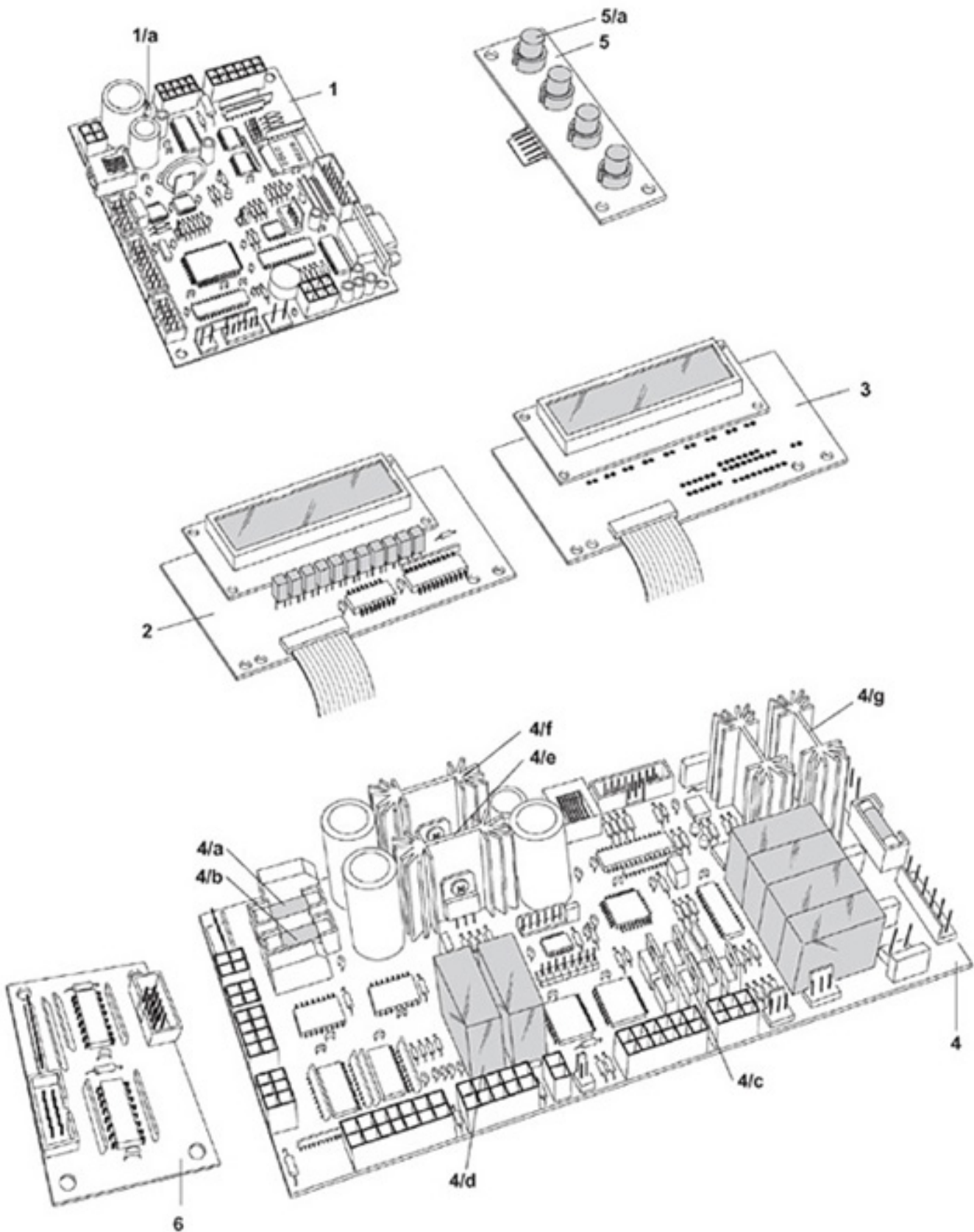


## LUCE CONTROL AND POWER LOGIC

Pos.	Code	Description
1	SCH0003600	DC POWER CONTROL
1/a	ELE0003017	5A SLOW-BLOW GLASS FUSE 5x20
1/b	ELT0004209	TRIAC TRIAC 16 A
1/c	ELT0007151	1-WAY 24V D.C. 10A RELAY
1/d	ELT0004018	TIP 127+C1993 TRANSISTOR
1/e	ELT0004020	TRANSISTOR BDW93C
2	SCH0002820	DC POWER CONTROL EXPANSION
3	SCH0002860	DC CPU
3/a	ELT0030059	EPROM 27C512
3/b	ELT0030060	BUFFER RAM WITH CLOCK
3/c	ELT0030704	D6 ROUND KEY
5	SCH0002840	DC CPU EXPANSION
6	SCH0003120	LCD DISPLAY

LUCE

NEW ELECTRONIC CONTROL AND POWER LOGIC

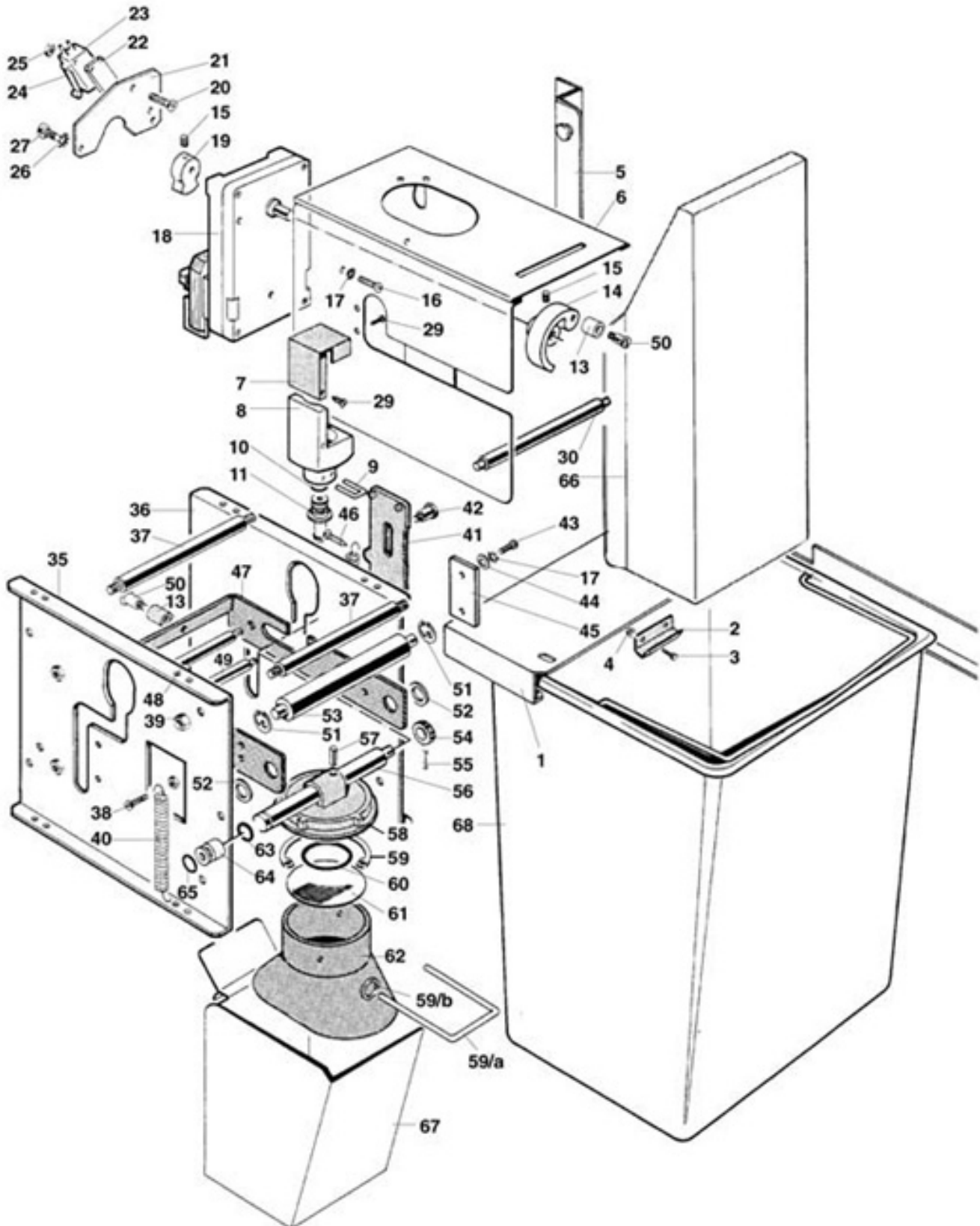


## LUCE

### NEW ELECTRONIC CONTROL AND POWER LOGIC

Pos.	Code	Description
1	SCH0007220	CPU W/HOLDER BATTERY
1/a	ELT0004026	TRANSISTOR BTS 141
2	SCH0004640	LCD DISPLAY SUGAR QUANTITY
3/a	SCH0004680	LCD DISPLAY WITHOUT SUGAR QUANTITY
3/b	SCH0004720	CYRILLIC LCD DISPLAY WITHOUT SUGAR QUANTITY
4	SCH0005140	POWER CARD
4/a	ELE0003025	2A RAPID GLASS FUSE 5x20
4/b	ELE0003028	6,3A SLOW-BLOW GLASS FUSE 5x20
4/c	ELT0004025	TRANSISTOR BTS 133
4/d	ELT0007151	1-WAY 24V D.C. 10A RELAY
4/e	ELT0004026	TRANSISTOR BTS 141
4/f	ELT0030301	INTEGRATED CIRCUIT 7805
4/g	ELT0004209	TRIAC TRIAC 16 A
5	SCH0003980	PROG./WASHING KEYBOARD
5/a	ELT0030704	D6 ROUND KEY
6	SCH0004200	KEYBOARD EXPANSION

## LUCE FBT TEA INFUSION GROUP

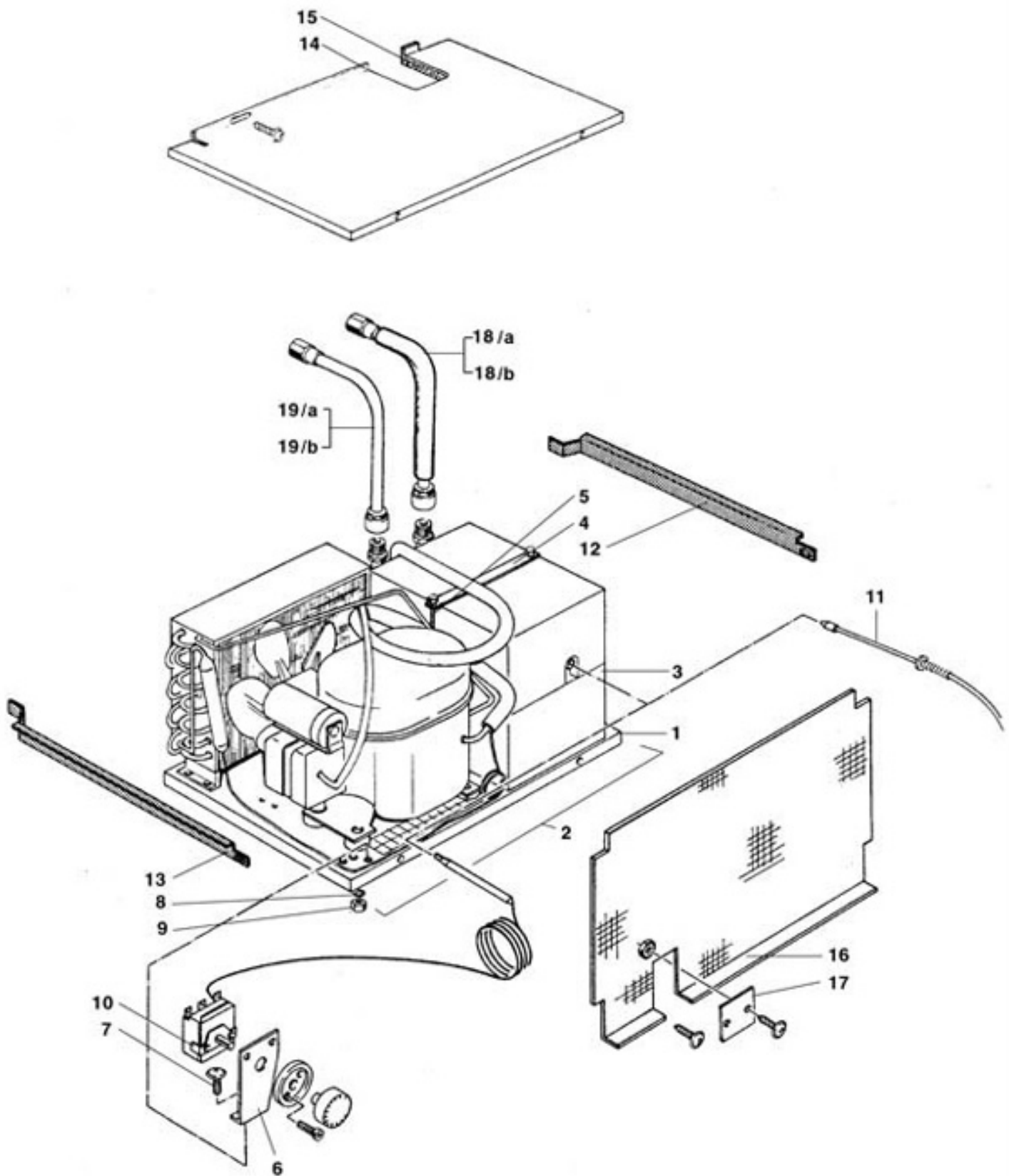




## LUCE FBT TEA INFUSION GROUP

Pos.	Code	Description	
1	0240002145	BIN SUPPORT	
2	2500002110	OUNDS BAG SUPPORT STOP	
3	VIT0000003	M 3x8 TCB SCREW	
4	VIT0004502	M3 NUT	
5	0240002118	TEA HOUSING SUPPORT	
6	0240002105	TEA HOUSING	
7	0240002112	FLUX-BREAKER COVER	
8	0240002025	TEA OUTLET CONNECTION	
9	0240002028	ASSEMBLY SPRING	
10	GUA0000043	OR 109	
11	0240002111	RUBBERHOLDE CONNECTION	
13	0200001011	CONTROL CONNECTING ROD ROLL	
14	0240002019	TEA GROUP CAM It's part of kit 0240002019R	
15	VIT0007002	M 4 x 6 DOWEL	
16	VIT0000014	M 4x16 TCB SCREW	
17	VIT0003103	WASHER tab D. 4.3	
18	0090002104	24V DC 10 RPM TEA GEAR MOTOR	
19	0240002010	TEA MICRO CAM	
20	VIT0000105	M 3x20 TSP SCREW	
21	0240002013	TEA MICRO STAINLESS STEEL SUPPORT	
22	4600010014	MICRO SPACER	
23	ELE0001522	1-WAY 16 A 250 V MICROSWITCH	
24	ELE0001906	161 E R 24.1 MICRO LEVER	
25	VIT0004701	M3 FR NUT	
26	VIT0003105	WASHER tab D. 6.4	
27	VIT0005503	M 6x14 TCEI SCREW	
29	VIT0002052	2.9x 6.5 TAPPING TCB SCREW	
30	0240002108	SPACER	
35	0240001006	L.H. FRAME	
36	0240001007	R.H. FRAME	
37	0240001017	FRAMES INOX SPACER	
38	0240001022	SPRING HOOKING SCREW M 4x12	
39	VIT0004810	M 4 SELFLOCKING NUT	
40	0240001026	STAINLESS STEEL RACK SPRING	
41	0240001014	RACK	
42	0240001021	STAINLESS STEEL RACK SLIDING SCREW	
43	VIT0001004	M 4x6 STAINLESS STEEL TCB SCREW	
44	VIT0003202	STAINLESS STEEL FLAT WASHER D.4,3 x 9 x 0,8	
45	0240001016	GEAR PLATE	
46	VIT0002015	TAPPING SCREW TCB 3.5 x 9,5	
47	0240001008	TEA CUP CONTROL LEVER	
48	0240001018	CUP STOP PIN	
49	0240001025	STAINLESS STEEL LEVER STOP PIN	
50	0240001032	PIN FOR ROLL	
51	VIT0006511	D.7 RADIAL STOP RING	
52	0240001024	NYLON LEVER SHAFT WASHER	
53	0240001019	CUP CONTROL LEVER SHAFT	
54	0240001015	CYLINDRICAL GEAR	
55	VIT0005011	1.5x8 SPRING PIN	
56	0240001013	CUP MOVEMENT SHAFT	
57	VIT0005214	3 x 20 A4 CYLINDRICAL PIN	
58	0240001029	FILTER SUPPORT	
59	VIT0006603	D.42 RADIAL STOP RING FOR HOLE	
59/a	0240001033	CUP SECURING CONNECTION	
59/b	2500003005	FLOATER RING	
60	GUA0000033	3143 OR	
61	0240001036	D.40 - P.0.85 - SP-0.15 FILTER	
62	0240001034	TEA CUP FOR CONNECTION	
63	GUA0000048	2031 OR	
64	0240002113	TEA GROUP SHAFT EXTENSION	
65	GUA0000004	GASKET 104	
66	0240002107	TEA GROUP POSITIONING SHEET	
67	0240002115	TEA GROUNDS FEEDER	
68	CON0000204	MINI-LINE RECTANGULAR BIN	
100	0240001029R	FILTER SUPPORT ASSEMBLY	assieme
101	0240001034R	TEA CUP + CONNECTION	assieme
102	0240002150CL	TEA GROUP SUPPORT	assieme
103	0240001001/12	TEA INFUSION GROUP	

## LUCE FP REFRIGERATING GROUP

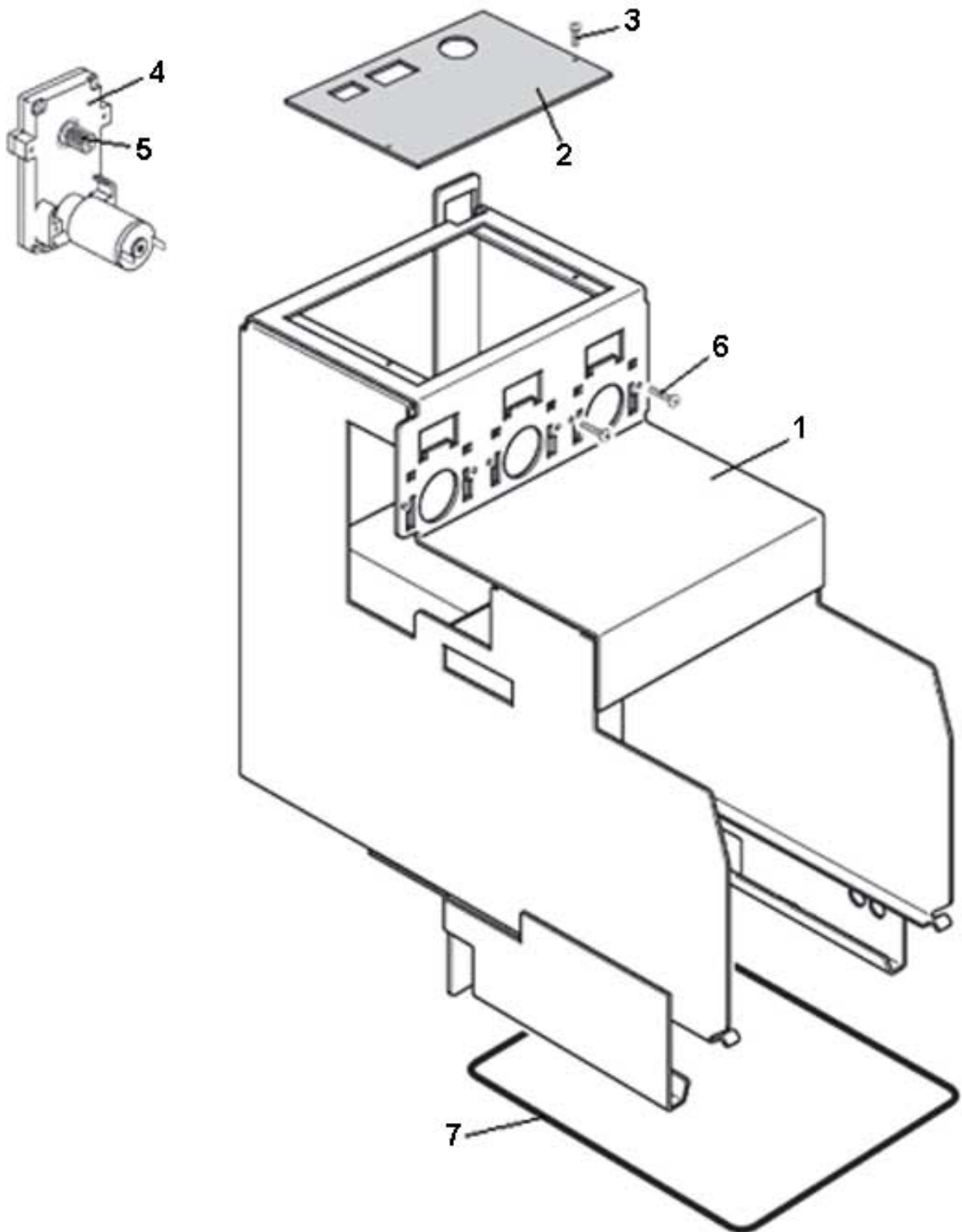


## LUCE FP REFRIGERATING GROUP

Pos.	Code	Description	
1	550000001	REFRIGERATING SUPPORT	
2	0550050005	REFRIGERATING GROUP WIHT HEATING ELEMENTS	
3	0550006015	POLYSTYRENE HALF-SHELL	
4	0550006006	TANK SECURING PLATE	
5	0550006005	TANK SECURING TIE-BOLT	
6	3003001036	THERMOSTAT SUPPORT	
7	VIT0000030	SCREW TCB M4 x 7	
8	VIT0003103	WASHER tab D. 4.3	
9	VIT0004503	NUT M 4	
10	ELE0000918	REMOTE THERMOSTAT	
11	ELE0000957R	FP TEMPERATURE PROBE	
12	0010018316	R.H. SUPPORT	
13	0010018317	L.H. SUPPORT	
14	0550004055	REFRIGERANTED PLAN	
15	0550004018	POLYSTYRENE	
16	0550004021	REFRIGERANTING GROUP PROTECTION	
17	0550004044	FP THERMOSTAT PROTECTION	
18	0810010047CL	REFRIG OUTLET PIPE TO VALVE E-H-FP ASSEMBLY	
19	0810010062CL	VALVE PIPE W/SETTING TO REFRIGERATING INLET E/FP	
100	0550003006CL	REFRIG. GROUP FP W/THERMOSTAT	assieme
101	0550003008CL	REFRIGERATING GROUP WITH PROBE	assieme

*LUCE  
FB DISPENSER*

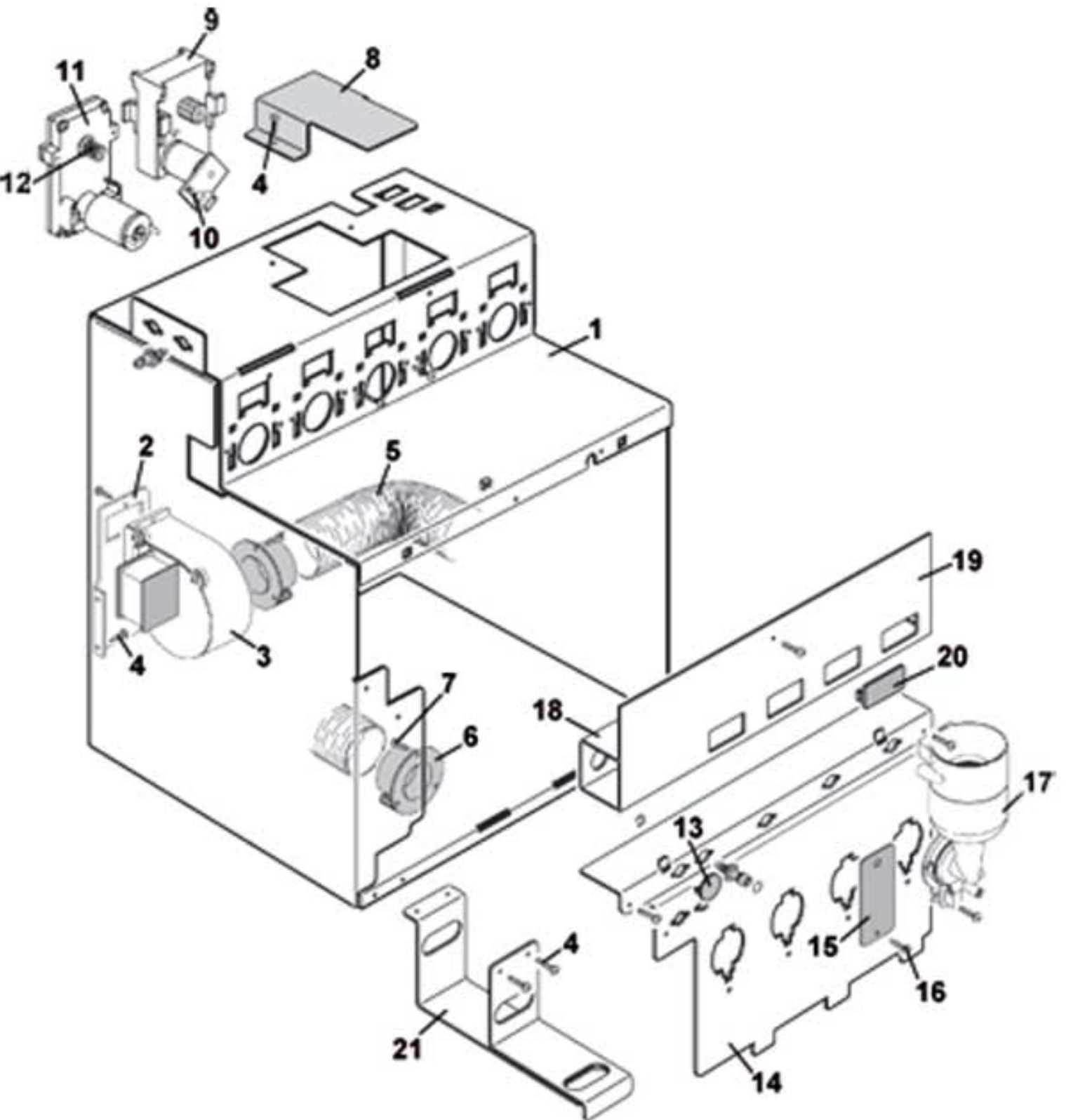
---



## LUCE FB DISPENSER

Pos.	Code	Description
1	0070014785	FB WELDED HOUSING
2	0070014763	FB COVER HOUSING
3	VIT0000030	SCREW TCB M4 x 7
4	0090002081	24 V DC 85 RPM PRODUCT GEAR MOTOR
5	0230012010	DRIVING PINION
6	VIT0000015	M 4x25 TCB SCREW
7	0070014771	FB GROUNDS BAG SUPPORT

## LUCE FB SOLUBLES DISPENSER

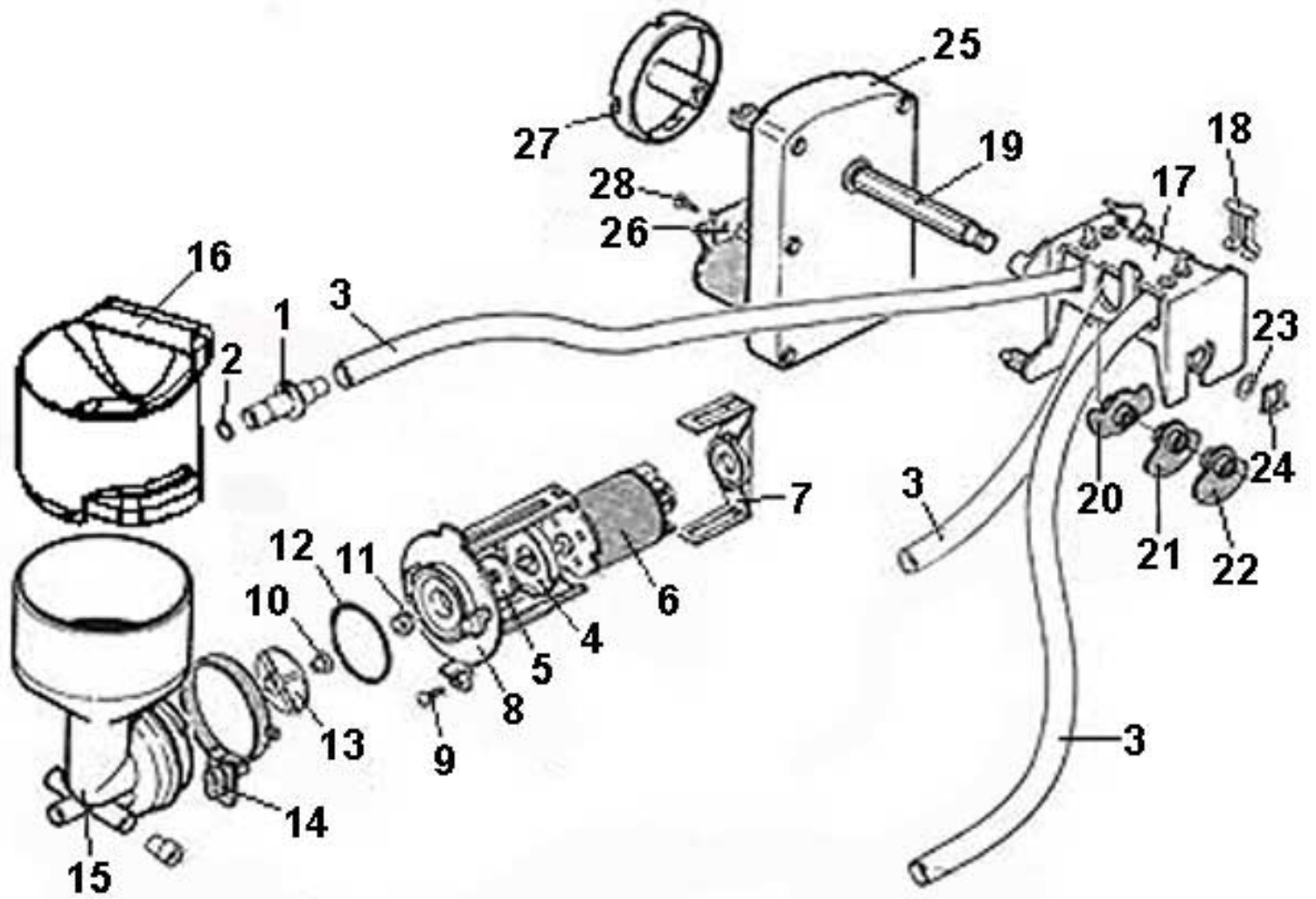


## LUCE FB SOLUBLES DISPENSER

Pos.	Code	Description
1	0070014705	WELDED HOUSING
2	0070014727	FAN SUPPORT
3	ELE0000454	EXHAUST FAN
4	VIT0000030	SCREW TCB M4 x 7
5	TEOL000003	2x4 PIPE
6	3005101039	1-WAY FAN+C1896 COVER
7	VIT0002002	SCREW TCB 3,5x6,5
8	0070014766	CAM SUPPORT
9	0090002113	24V DC 97RPM PRODUCT GEAR MOTOR
10	SCH0003760	FILTRO MOTORI (INARLOCK 2 VIE) DC
11	0090002082	24V D.C. 50 RPM PRODUCT GEAR MOTOR
12	0230012010	DRIVING PINION
13	0080100035	PLUG
	0080100035NA	PLUG BLACK
14	0070014706	MIXER SUPPORT
15	0010020028	MIXER PLUG
	0010020028NA	MIXER PLUG BLACK
16	VIT0002401	SCREW TCB 3.5 x 9.5
17		See table FB CAMS MIXER AND DISPENSER
18	0070014722	EXHAUST SLEEVE
19	0070014731	EXHAUST COVER
20	0070014776	EXHAUST PLUG
21	0070014715	OUTLET PIPE GUIDE

LUCE

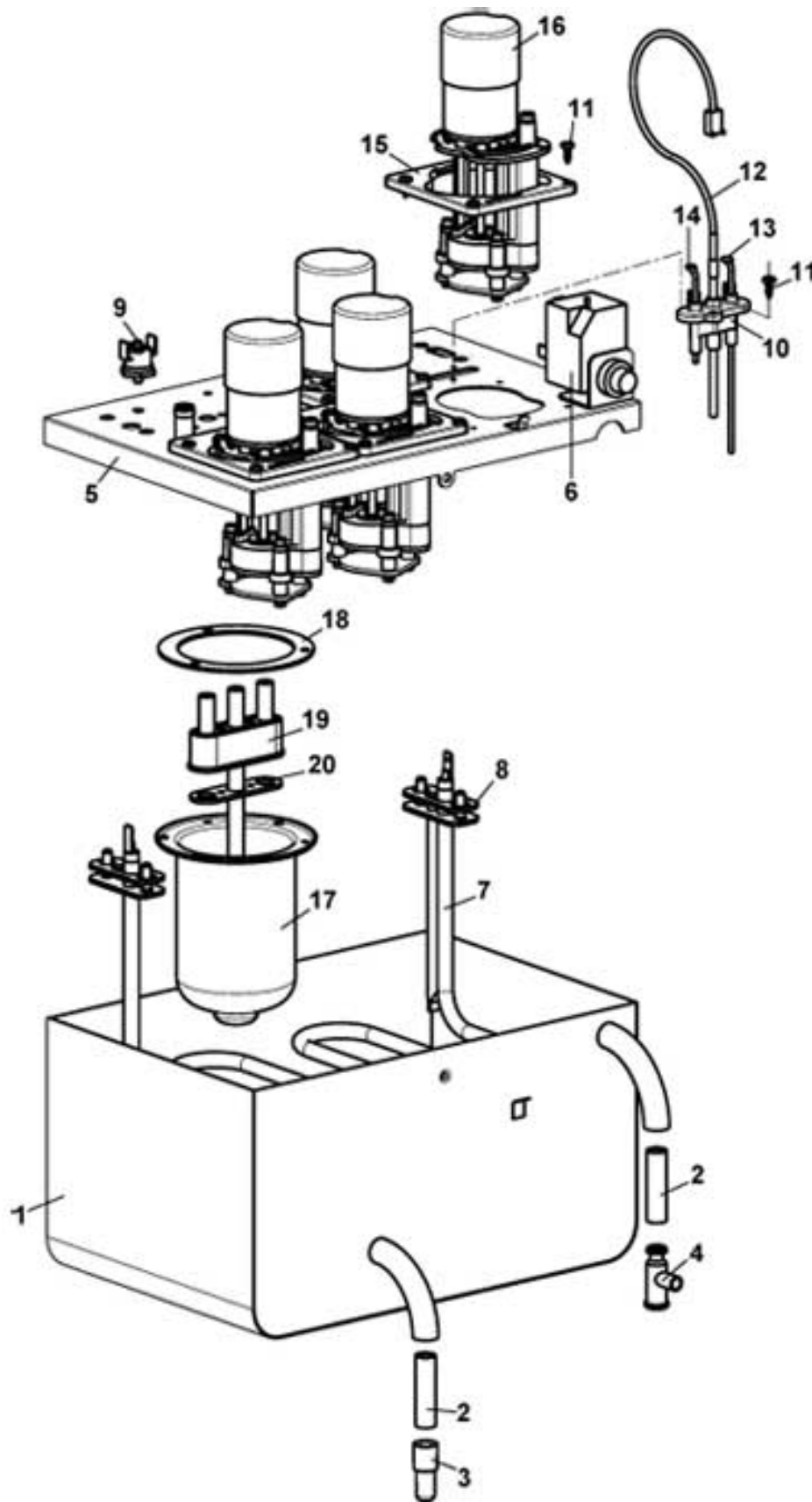
FB CAMS MIXER AND DISPENSER





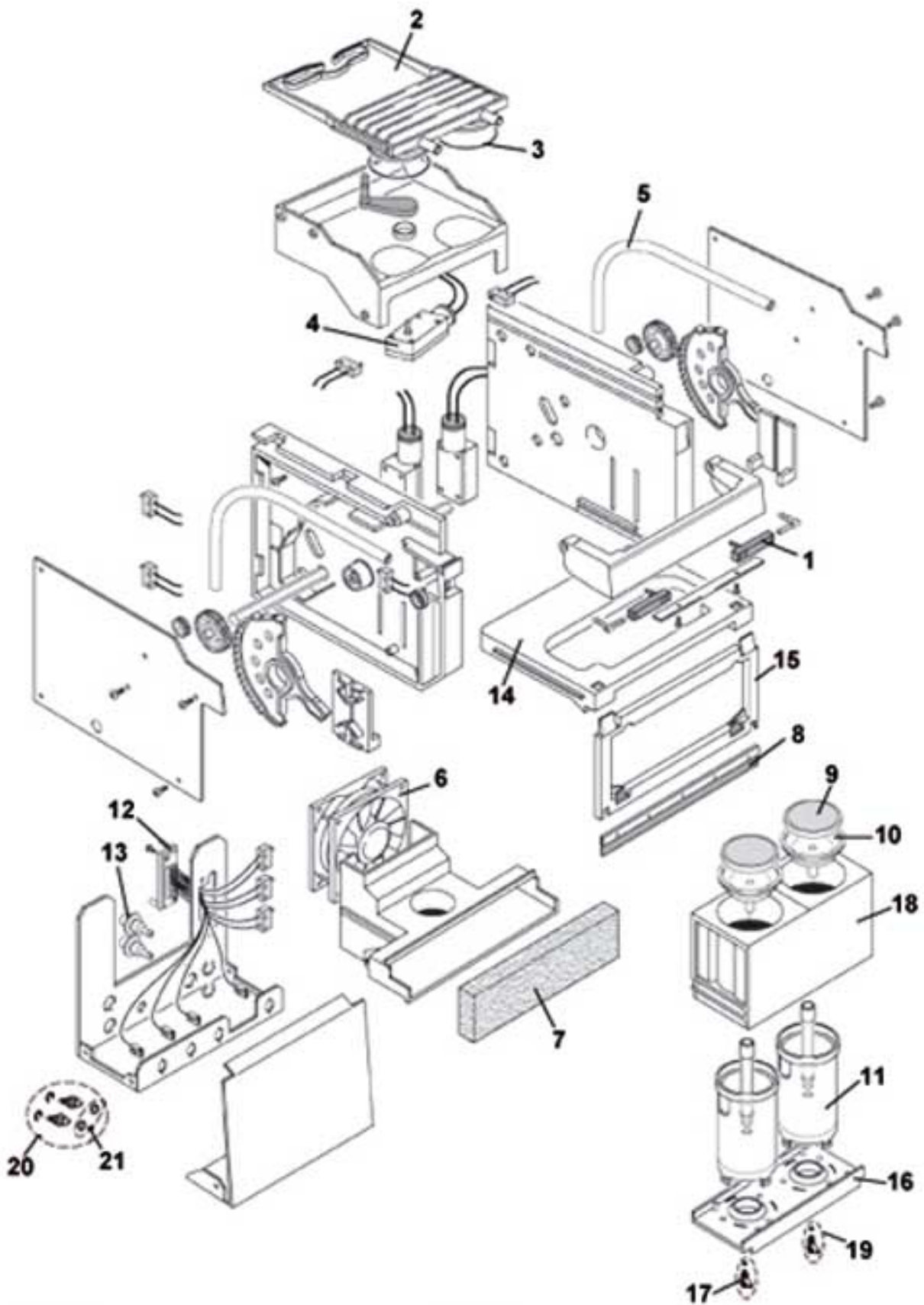
## LUCE FB CAMS MIXER AND DISPENSER

Pos.	Code	Description	
1	0080100043	WATER OUTLET	
2	GUA0000085	SILICONE GASKET 106	
3	TSIL06/09T	TRANSPARENT SILICONE PIPE D.6 x 9	
4	0080100023	MIXER COVER	
	0080100023IC	MIXER COVER ORANGE RAL 2011	
5	0080100024	DRIP TRAP FAN	
6	0090003023	24 V DC MIXER MOTOR SHAFT D.4	
7	0080100009	MOTOR CONNECTION COVER	
	0080100009IC	MOTOR CONNECTION COVER ORANGE RAL 2011	
8	0080100005	MIXER BASE	
9	VIT0002401	SCREW TCB 3.5 x 9.5	
10	0080100101	MIXER GASKET - SHAFT D.4	
11	0080100015	MIXER BASE BUSH	
12	GUA0000084	GASKET 3131	
13	0080100011	SMALL FAN MIXER SHAFT D.4	
14	0080100006	STOPPER RING	
	0080100006IC	STOPPER RING ORANGE RAL 2011	
15	0080100041	MIXER WITH BODY	
16	0080100031	EXHAUST BODY D.70	
	0080100031NA	EXHAUST BODY D.70 BLACK	
17	0110030005	CAM SUPPORT	
18	0110030013	CLOSING LEVER	
19	0110030006	SHAFT FOR CAMS	
20	0110030008	CAM 2	
21	0110030009	CAM 3	
22	0110030007	CAM 1	
23	VIT0003010	WASHER D.8 x 14 x 0,5	
24	VIT0009162	STOP CLIP D.8	
25	0090002109	24V D.C. GEAR MOTOR 24 R.P.M.	
26	SCH0003700	CAM PIPE SENSOR	
27	0110030015	POSITION DISK	
28	VIT0002452	TAPPING SCREW TCB 3.5 x 12	
100	0110030001R	XS-H CAM DISPENSER (from pos. 25 to pos. 36) (FROM POS. 18 TO POS. 28)	assieme
101	0080100001R	MIXER BASE+MOTOR ASSEMBLY FROM POS.4 TO POS. 13	assieme
102	0080100007R	MIXER BODY + RING STOPPER POS.14+15	



## LUCE FB BOILER

Pos.	Code	Description
1	0600012455	BOILER TANK
2	TSIL10/14T	TRANSPARENT SILICONE PIPE D.10 x 14
3	650001057	DISCHARGE PLUG
4	0600016028	"T" UNION
5	0600012465	BOILER COVER
6	ELE0000964	MANUAL RESET THERMOSTAT 135°C
7	0600012463	3000 W HEATING ELEMENT
8	0600012461	FB BOILER HEATING ELEMENT GASKET
9	ELE0000977	MANUAL RESET THERMOSTAT 95°C
10	0600016059	PROBE SUPPORT
11	VIT0002015	TAPPING SCREW TCB 3,5 x 9,5
12	ELE0000963R	SOLUBLE PROBE+CONTACTS
13	0600016053	WATER PROBE
14	0600016054	MAX WATER LEVEL PROBE
15	0600012462	PUMP ADAPTER
16	0600016405R	BOILER PUMP ASSEMBLY
17	0250009008	FB BATCHER
18	0250009009	FB BATCHER SILICONE GASKET
19	0250009010	FB BATCHER INLET
20	0600012477	FB BATCHER INLET FIXING PLATE

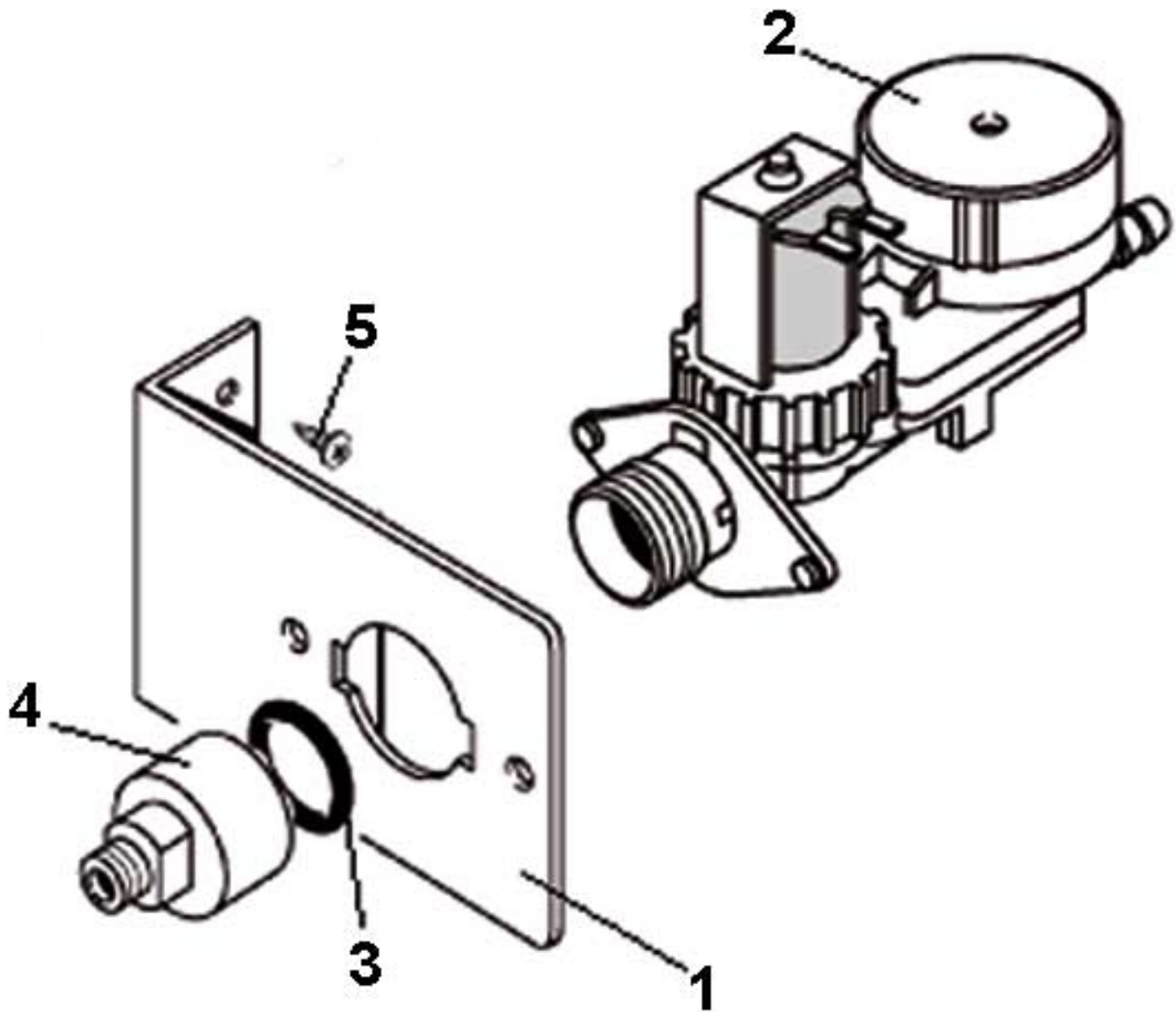


## LUCE FB GROUP

Pos.	Code	Description
1	0250009020	SILICONE SLLEVE
2	0250009021	SPRAY NOZZLE
3	0250009022	O RING 51 X 4,5 SILICONE
4	0250009018	GEAR MOTOR
5	0250009023	WATER HOSE 4/2, 25MM, LEFT 380MM
6	0250009024	FAN
7	0250009025	FILTER ELEMENT
8	0250009026	WIPER
9/a	0250009011	COFFEE FILTER
9/b	0250009028	TE FILTER
10	0250009012	SPIGOT BREWER
11	0250009029	ESPANSION TANK
12	CBL0900475	BREWER CABLE 1
13	0250009027	CONNECTION
14	0250009032	MOBILE WIPER
15	0250009031	FRONTAL WIPER
16	0250009030	ESPANSION TANK SUPPORT
17	0250009015	SX CONNECTION WITH OR
18	0250009033	ESPANSION TANK STOP
19	0250009016	DX CONNECTION WITH OR
20	0250009013	FB GASKETS
21	0250009014	FB OR

## LUCE FB WATER INLET

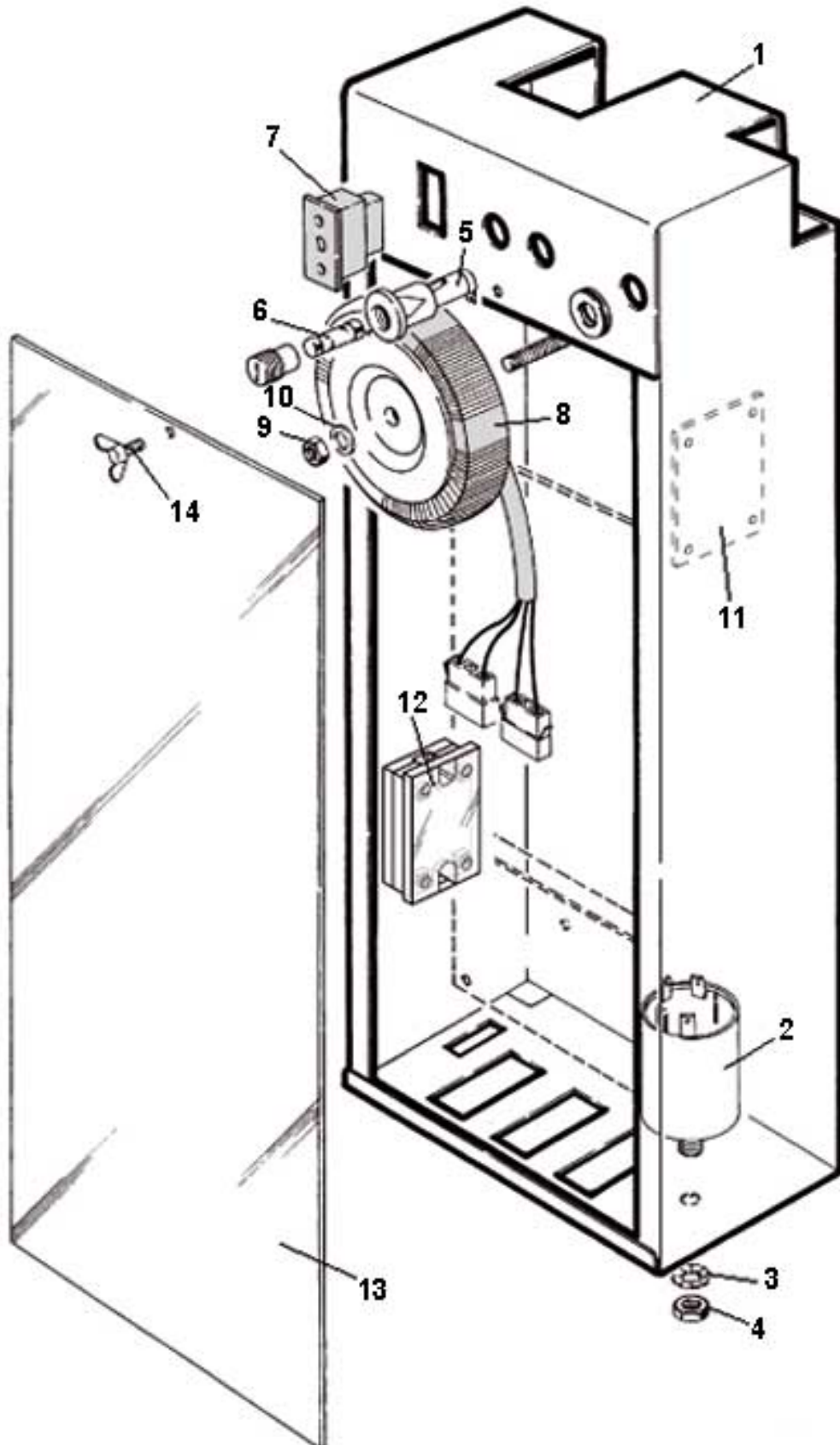
---



## LUCE FB WATER INLET

Pos.	Code	Description
1	0070012111	WATER INLET VALVE SUPPORT
	0070012111CK	WATER INLET VALVE SUPPORT DUST GREY RAL 7037
2/a	0110001039	24 DC INLET VALVE W/SAFETY DEV. ONLY FOR VERSION "E"
2/b	0110001119	24V INLET SAFETY VALVE ONLY FOR VERSION "H"
3	GUA0000021	GASKET 130
4	0010019223	3/8 GAS M WATER INLET VALVE CONNECTION
5	VIT0000013	M 4x12 TCB SCREW

## LUCE FB CONTROL PANEL

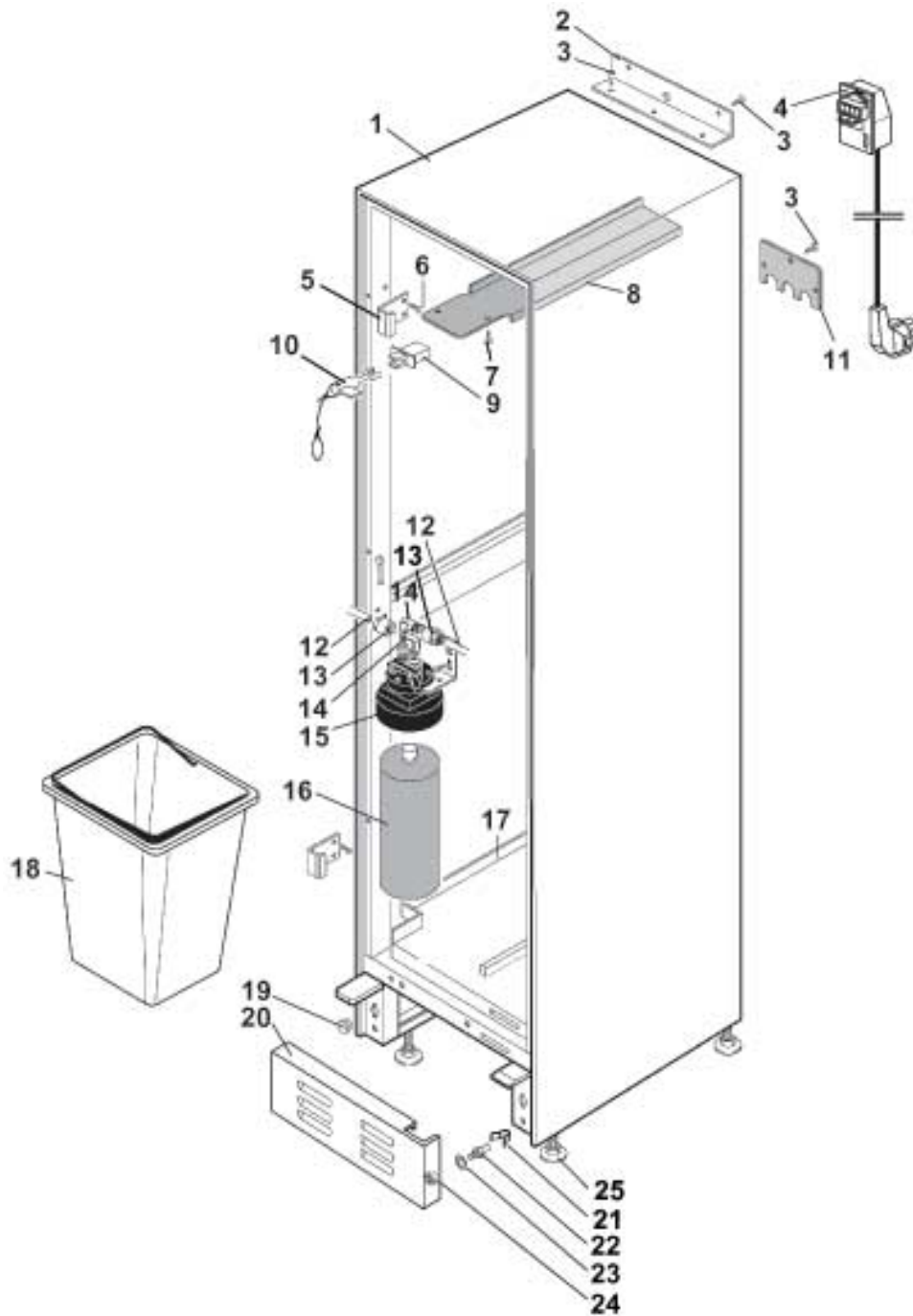




## LUCE FB CONTROL PANEL

Pos.	Code	Description
1	0130011555	CONTROL PANEL STRUCTURE
2	ELE0009055	ANTIPARASITIC FILTER
3	VIT0003106	WASHER tab D. 8
4	VIT0004506	M 8 NUT
5	ELE0003507	FUSES HOLDER
6	ELE0003024	SLOW-BLOW CERAMIC TYPE 6.3A FUSES 5 x 20
7	ELE0002305	10 A 250 V SOCKET
8	ELE0000565R	150VA E.230V-U.26-8,6V TOROIDAL TRANSFORMER
9	VIT0004505	NUT M6
10	VIT0003005	6.4x12.5x1.6 FLAT WASHER
11	SCH0006180	FB SPENGLER POWER BOARD
12	ELE0001015	SOLID RELE
13	0130011561	CONTROL PANEL COVER
14	VIT0007008	M 4 x 10 SCREW

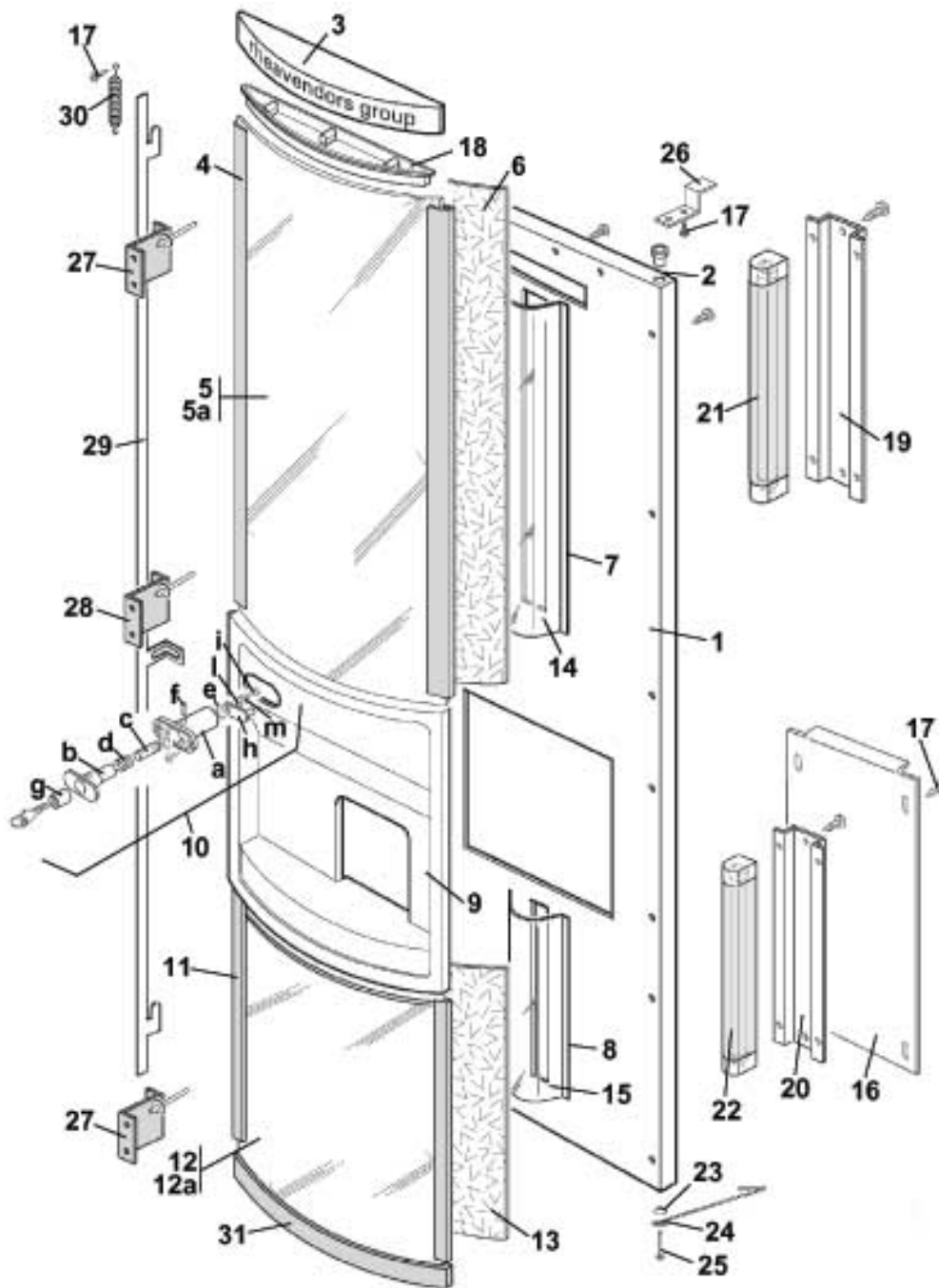
## LUCE LUCE SPAQA CABINET



## LUCE LUCE SPAQA CABINET

Pos.	Code	Description
1	0010015455	FG-BG H2O LUCE CABINET
2	0010018071	DISPENSER SECURING BRACKET
3	VIT0000236	E.H SCREW M 6 x 11 + FR
4	ELE0055003CL	POWER PLUG - ASSEMBLY BLOCK
5	NL202100278	LOWER LOCK PIN SECURING SQUARE
6	VIT0000013	M 4x12 TCB SCREW
7	VIT0002401	SCREW TCB 3.5 x 9.5
8	0010018116	SAFETY SWITCH SUPPORT
9	ELE0002009	SAFETY SWITCH
10	0270011109CL	SERVICE KEY ASSEMBLY
11	0010023336	CHOCK FIXING PLATE
12	TPE0000003	LLDPE PIPE D. 6X8 TRANSPARENT
13	0100005029	STRAIGHT TERMINAL D.8 3/8 CIL.
14	0100005064	ELBOW MIDLING D.8
15	0110020009	EVERPURE FILTER SUPPORT
16	0110020010	CARTRIGE
17	0010015504NA	FG-BG BOTTOM PROTECTION
18	CON0000201	RECTANGULAR BIN
19	0020018061	BUTTON PLUG
20	0120004376	LUCE H2O FRONT PROTECTION
21	VIT0009152	CONNECTION
22	VIT0009151	PIN
23	VIT0003103	WASHER tab D. 4.3
24	VIT0004503	NUT M 4
25	0010013208	FEET

## LUCE LUCE SPAQA FRONT DOOR

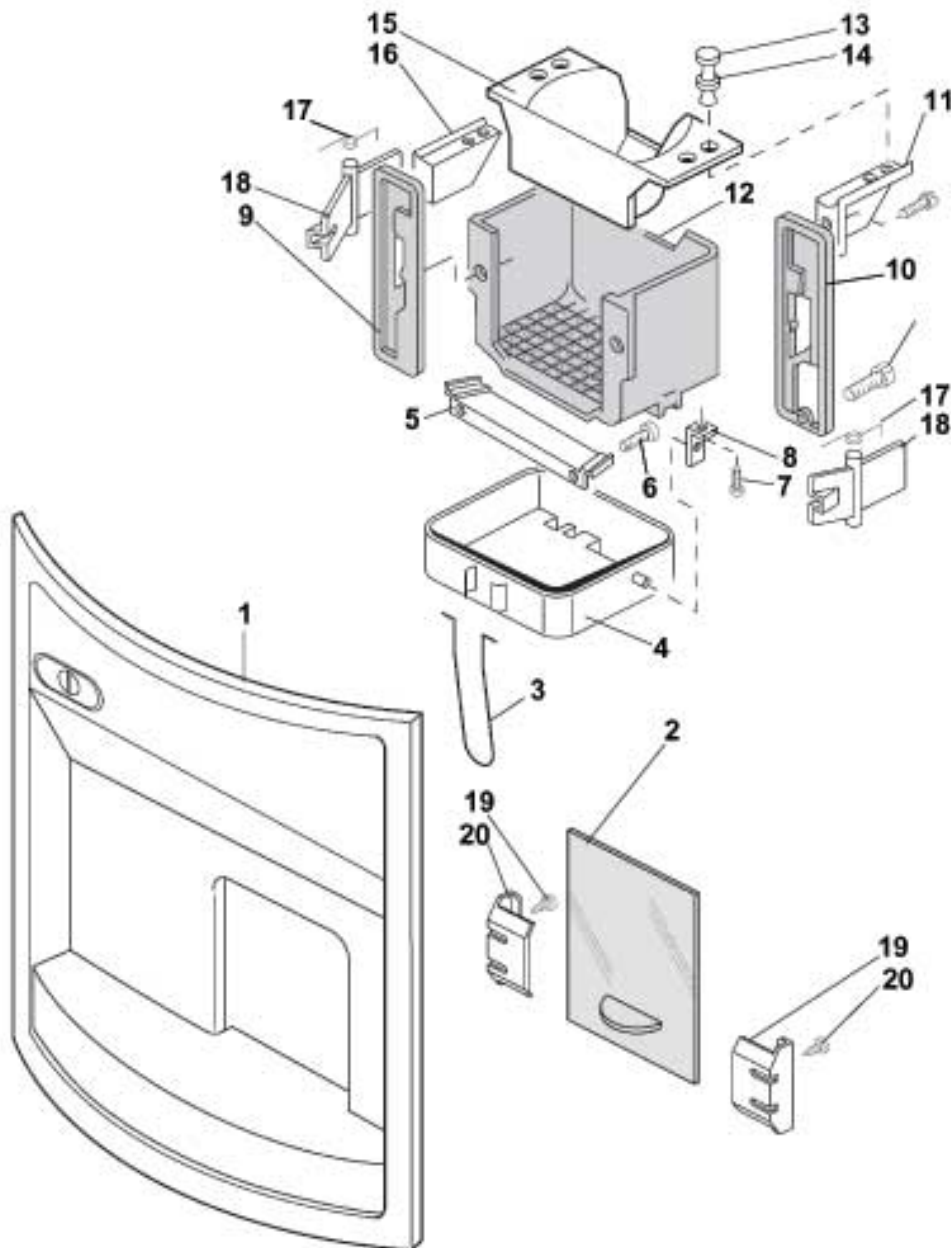


## LUCE LUCE SPAQA FRONT DOOR

Pos.	Code	Description
1	0020030155	LUCE H2O FRONT DOOR
2	0020034156	DOOR HINGE BUSH
3	002003422C	UPPER SUPPORT WITH BRAND
	0020034322CF	UPPER SUPPORT WITH BRAND ANTHRACITE GREY RAL 7016
	0020034322CG	UPPER SUPPORT WITH BRAND LIGHT GREY RAL 7035
	0020034322CH	UPPER SUPPORT WITH BRAND AGATA GREY RAL 7038
	0020034322CM	UPPER SUPPORT WITH BRAND MERCEDES GREY RAL 9006
	0020034322CN	UPPER SUPPORT WITH BRAND OPAQUE MERCEDES GREY RAL 9006
	0020034322NA	UPPER SUPPORT WITH BRAND BLACK
4	0020029914	SECURING GLASS PROFILE
	0020029914CF	SECURING GLASS PROFILE ANTHRACITE GREY RAL 7016
	0020029914CG	SECURING GLASS PROFILE LIGHT GREY RAL 7035
	0020029914CH	SECURING GLASS PROFILE AGATA GREY RAL 7038
	0020029914CM	SECURING GLASS PROFILE MERCEDES GREY RAL 9006
	0020029914CN	SECURING GLASS PROFILE OPAQUE MERCEDES GREY RAL 9006
	0020029914NA	SECURING GLASS PROFILE BLACK
5	0020029931	UPPER PHOTO PROTECTION
5/a	0100065428	LUCE SPAQA BB UPPER PHOTO
6	0020029931	OPALINE LOWER GLASS
7	0020034309	LAMP GUARD FIXATION
8	0020034308	UPPER LAMP PROTECTION
9		See table LUCE SPAQA CUPS STATION
10	1150003200CL	LOCK ASSEMBLY
10/a	1150003126	LOCK SLEEVE
	1150003126AE	LOCK SLEEVE PURE WHITE RAL 9010
	1150003126CF	LOCK SLEEVE ANTHRACITE GRAY RAL 7016
	1150003126CG	LOCK SLEEVE ANTHRACITE GREY RAL 7016
	1150003126CH	LOCK SLEEVE LIGHT GREY RAL 7035
	1150003126CM	LOCK SLEEVE AGATA GREY RAL 7038
	1150003126CN	LOCK SLEEVE MERCEDES GREY RAL 9006
	1150003126DA	LOCK SLEEVE SILICIOUS GREY RAL 7032
	1150003126DB	LOCK SLEEVE OPAQUE MERCEDES GREY RAL 9006
	1150003126DC	LOCK SLEEVE PEARL LIGHT GREY RAL 9022
	1150003126DD	LOCK SLEEVE QUARTZ GREY RAL 7039
	1150003126DF	LOCK SLEEVE ALUMINIUM GREY
	1150003126DG	LOCK SLEEVE BLUE GREY
	1150003126DH	LOCK SLEEVE SULPHUR YELLOW RAL 1016
	1150003126DE	LOCK SLEEVE FIRE RED RAL 3000
	1150003126NA	LOCK SLEEVE BLACK
10/b	1150002112	LOCK BODY
	1150002112AE	LOCK BODY PURE WHITE RAL 9010
	1150002112CF	LOCK BODY ANTHRACITE GREY RAL 7016
	1150002112CG	LOCK BODY LIGHT GREY RAL 7035
	1150002112CH	LOCK BODY AGATA GREY RAL 7038
	1150002112CM	LOCK BODY TRAFFIC GREY RAL 7042
	1150002112CN	LOCK BODY DUST GREY RAL 7037
	1150002112DA	LOCK BODY MERCEDES GREY RAL 9006
	1150002112DC	LOCK BODY SILICIOUS GRAY RAL 7032
	1150002112DE	LOCK BODY OPAQUE MERCEDES GREY RAL 9006
	1150002112DF	LOCK BODY PEARL LIGHT GREY RAL 9022
	1150002112DG	LOCK BODY QUARTZ GREY RAL 7039
	1150002112DH	LOCK BODY ALUMINIUM GREY
	1150002112DI	LOCK BODY BLUE GREY
	1150002112DJ	LOCK BODY SULPHUR YELLOW RAL 1016
	1150002112DK	LOCK BODY FIRE RED RAL 3000
	1150002112NA	LOCK BODY BLACK
10/c	1150002111	LOCK PIN
10/d	1150002113	SPRING
10/e	VIT0006508	D 10 RADIAL STOP RING
10/f	VIT0006509	4 x 18 CYLINDRICAL PIN
10/g	SER0000003	G 5 TUBULAR LOCK
10/h	0020029439	LOCK BRACKET
10/i	VIT0000208	M 5x10 H.H. SCREW
10/l	VIT0003302	5.5x12x1.5 FLAT WASHER
10/m	VIT0003104	WASHER IAD D. 5.1
11	0020029915	SECURING GLASS PROFILE
	0020029915CF	SECURING GLASS PROFILE ANTHRACITE GREY RAL 7016
	0020029915CG	SECURING GLASS PROFILE LIGHT GREY RAL 7035
	0020029915CH	SECURING GLASS PROFILE AGATA GREY RAL 7038
	0020029915CM	SECURING GLASS PROFILE MERCEDES GREY RAL 9006
	0020029915CN	SECURING GLASS PROFILE OPAQUE MERCEDES GREY RAL 9006
	0020029915NA	SECURING GLASS PROFILE BLACK
12	0020029938	LOWER PHOTO PROTECTION
12/a	0100065429	UPPER PHOTO PROTECTION
13	0020029933	OPALINE LOWER GLASS
14	0020029438	LOWER LAMP GUARD FIXATION
15	0020029419	LOWER PHOTO PROTECTION
16	0020031538NA	
17	VIT0002401	SCREW TCB 3.5 x 9.5
18	0020034282	GLASS CONVEX STIFFENING
19	0020029960	UPPER LAMP SUPPORT
20	0020029961	LOWER LAMP SUPPORT
21	ELE0008023	13W ELECTRONIC IGNITION LAMP
22	ELE0008022	8W ELECTRONIC IGNITION LAMP
23	VIT0007102	BENZING QUICKLOCK
24	0020034172	DOOR STOP ROD
25	0020034173	PIN FOR DOOR STOP ROD
26	0210011452	CONTRAST SQUARE
27	0020029435	LOCK PIN GUIDE
28	0020030164	CENTRAL LOCK PIN GUIDE
29	0020030165	LUCE H2O PIN LOCK
30	2100002007	CUPS LOADER SPRING
31	0020034281	ROUNDED LOWER SUPPORT
	0020034281CF	ROUNDED LOWER SUPPORT ANTHRACITE GREY RAL 7016
	0020034281CG	ROUNDED LOWER SUPPORT LIGHT GREY RAL 7035
	0020034281CH	ROUNDED LOWER SUPPORT AGATA GREY RAL 7038
	0020034281CM	ROUNDED LOWER SUPPORT MERCEDES GREY RAL 9006
	0020034281CN	ROUNDED LOWER SUPPORT OPAQUE MERCEDES GREY RAL 9006
	0020034281NA	ROUNDED LOWER SUPPORT BLACK

## LUCE LUCE SPAQA CUPS STATION

---



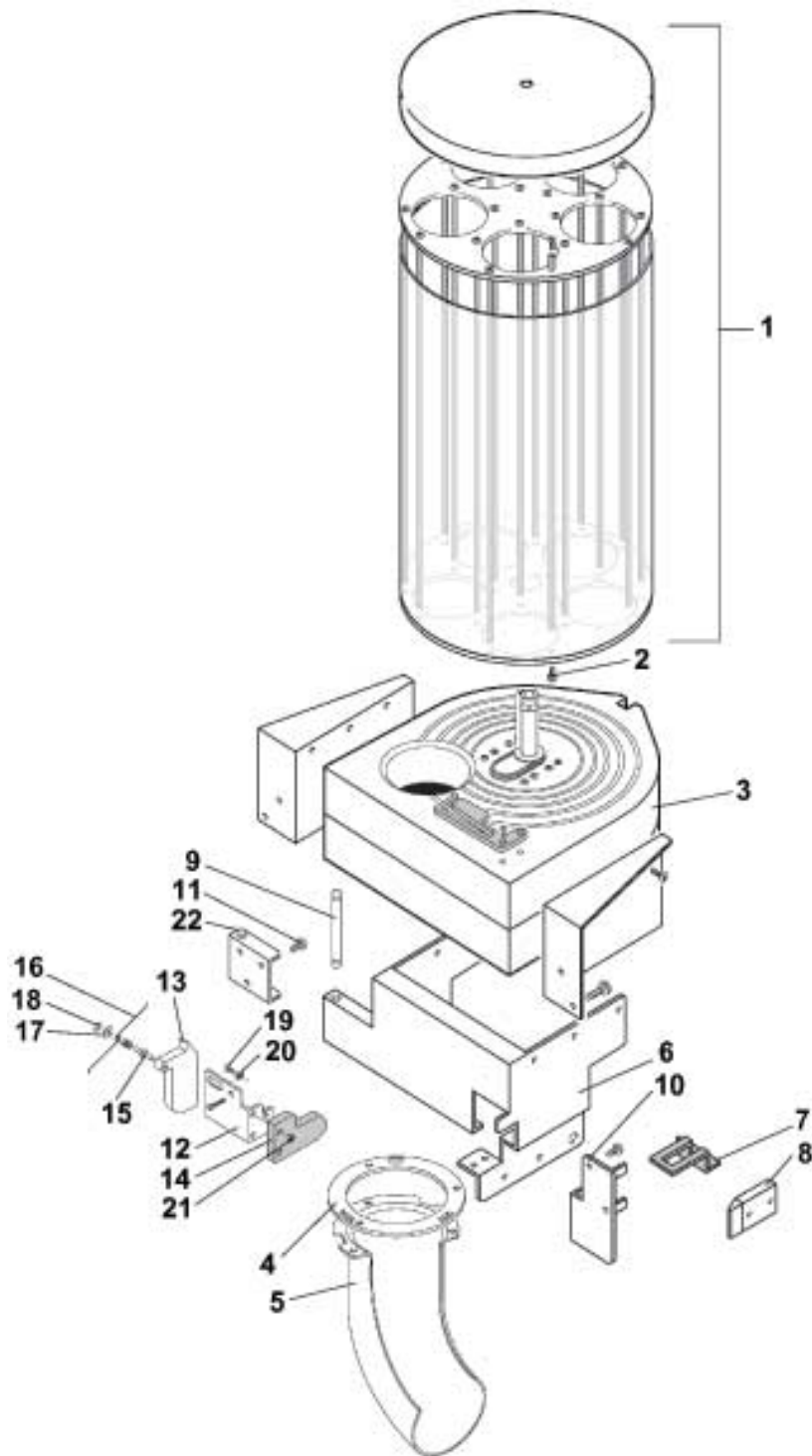
## LUCE

### LUCE SPAQA CUPS STATION

Pos.	Code	Description
1	0400008433	CUPS STATION FRAME
	0400008433CF	CUPS STATION FRAME ANTHRACITE GRAY RAL 7016
	0400008433CG	CUPS STATION FRAME LIGHT GREY RAL 7035
	0400008433CH	CUPS STATION FRAME AGATA GREY RAL 7038
	0400008433CM	CUPS STATION FRAME MERCEDES GREY RAL 9006
	0400008433NA	CUPS STATION FRAME BLACK
2	0400008009	CUPS STOP HATCH
3	0150001053	FEEDER COUNTERPART
4	0150001052	FEEDER *
	0150001052CA	FEEDER DOVE GREY RAL 7006
	0150001052CB	FEEDER SAND GREY 153155
	0150001052NA	FEEDER BLACK
5	0150001056	DRIP TRAP
6	VIT0002469	SCREW TC 3.5 x 10
7	VIT0002001	TCB 2.9x 6.5 TAPPING SCREW
8	0400008101	FEEDER SUPPORT *
	0400008101CA	FEEDER SUPPORT DOVE GREY RAL 7006
	0400008101CB	FEEDER SUPPORT SAND GREY 153155
	0400008101NA	FEEDER SUPPORT BLACK
9	0400007027	R.H. SUPPORT *
	0400007027CA	R.H. SUPPORT DOVE GREY RAL 7006
	0400007027CB	R.H. SUPPORT SAND GREY 153155
	0400007027IC	R.H. SUPPORT ORANGE RAL 2011
	0400007027NA	R.H. SUPPORT BLACK
	0400007027PG	R.H. SUPPORT BRIGHT BLU RAL 5012
10	0400007014	L.H. SUPPORT *
	0400007014CA	L.H. SUPPORT DOVE GREY RAL 7006
	0400007014CB	L.H. SUPPORT SAND GREY 153155
	0400007014IC	L.H. SUPPORT ORANGE RAL 2011
	0400007014NA	L.H. SUPPORT BLACK
	0400007014PG	L.H. SUPPORT BRIGHT BLUE RAL 5012
11	0400006026	L.H. BRACKET
	0400006026CA	L.H. BRACKET DOVE GREY RAL 7006
	0400006026NA	L.H. BRACKET BLACK
12	0400007003	CUP STOP SUPPORT *
	0400007003CA	CUP STOP SUPPORT DOVE GREY RAL 7006
	0400007003CB	CUP STOP SUPPORT SAND GREY 153155
	0400007003IC	CUP STOP SUPPORT ORANGE RAL 2011
	0400007003NA	CUP STOP SUPPORT BLACK
	0400007003PG	CUP STOP SUPPORT BRIGHT BLUE RAL 5012
13	VIT0007105	BUTTON It's part of kit VIT0007104R
14	VIT0007104	BUSH It's part of kit VIT0007104R
15/a	0400006033	CUP SUPPORT
	0400006033CA	CUP SUPPORT DOVE GREY RAL 7006
	0400006033IC	CUP SUPPORT ORANGE RAL 2011
	0400006033NA	CUP SUPPORT BLACK
	0400006033PG	CUP SUPPORT BRIGHT BLUE RAL 5012
15/b	0400008775	CUP SUPPORT
16	0400006011	R.H. BRACKET
	0400006011CA	R.H. BRACKET DOVE GREY RAL 7006
	0400006011NA	R.H. BRACKET BLACK
17	0400007021	LOCKING SPRING
18	0400007017	LOCKING PLATE *
	0400007017CA	LOCKING PLATE DOVE GREY RAL 7006
	0400007017NA	LOCKING PLATE BLACK
19	0020034168	CUPS BLACK HATCH GUIDE
	0020034168CB	CUPS BLACK HATCH GUIDE SAND GREY 153155
	0020034168NA	CUPS BLACK HATCH GUIDE BLACK

## LUCE LUCE SPAQA CUPS LOADER

---



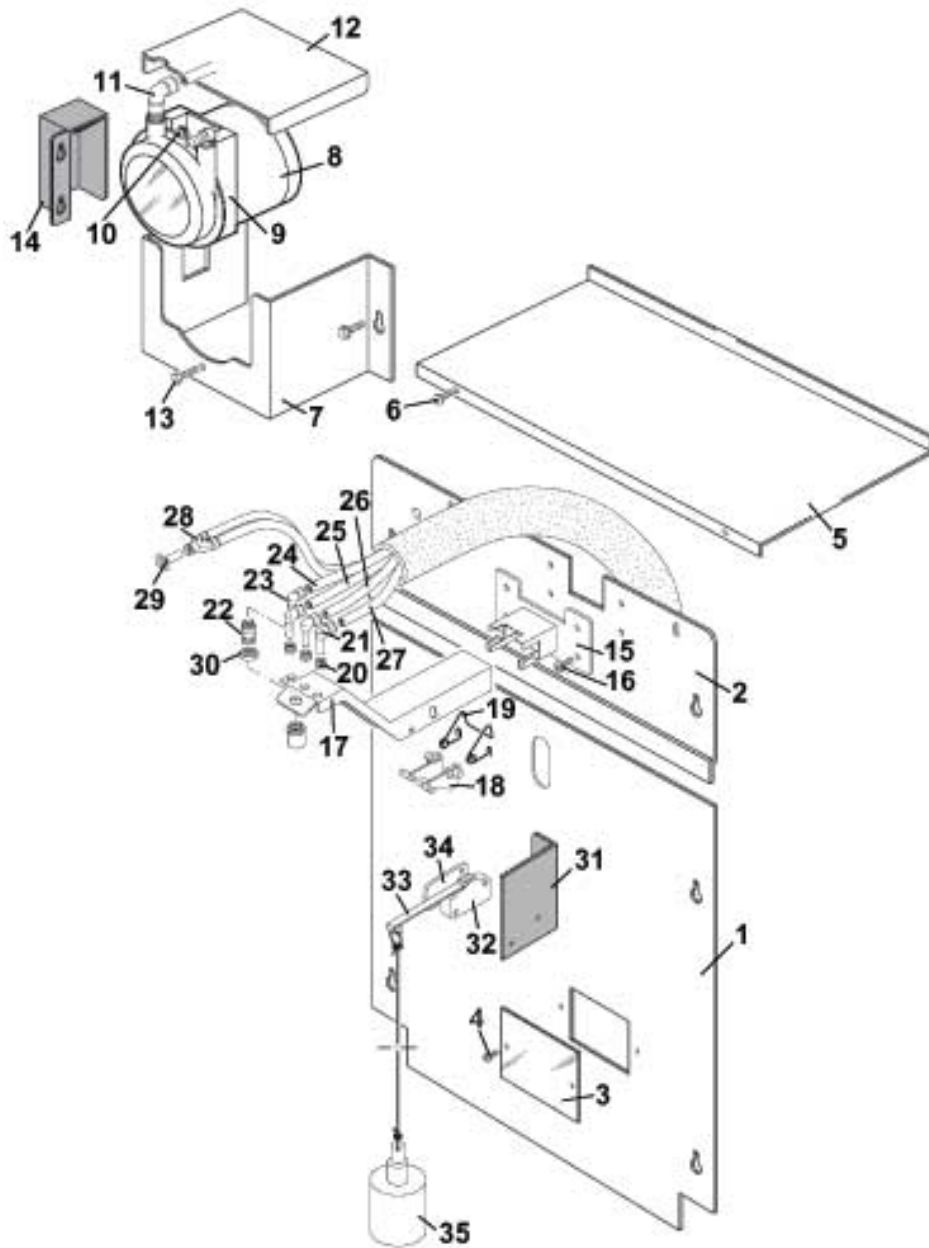


## LUCE LUCE SPAQA CUPS LOADER

Pos.	Code	Description
1/a	0180012543	CUPS TURRET D.70/73
1/b	0180012542	LUCE H2O TOWER CUPS
2	VIT0002009	SCREW T.C.B. 3,5 x 6,5
3/a	0190013106	CUPS DISPENSER D.70
3/b	0190013101	CUPS DISPENSER H2O
4	0180012535	CUPS CHUTE FLANGE
5/a	0180012526	H2O CUPS CHUTE
5/b	0180012529	H2O CUPS CHUTE
6	0020030182	CLOSED STATION CUPS SUPPORT
7	0020030174	STOPPED ADJUSTABLE SQUARE
8	0020030178	SLIDING BLOCK
9	0020030175	HINGE PIN
10	0020030177	SLIDING BLOCK LINE
11	VIT0000236	E.H SCREW M 6 x 11 + FR
12	0020030171	CUPS LOADER COUPLER SUPPORT
13	0020018227	
	0020018227NA	BLACK
14	0020018241	LOADER SUPPORTING PLATE
15	0020018234	CONNECTING PLATE PIN
16	0020018237	CONNECTING SPRING
17	VIT0003004	5.3x10x1 WASHER
18	VIT0006502	D.3.2 RADIAL STOP RING
19	VIT0000003	M 3x8 TCB SCREW
20	VIT0003102	WASHER tab D. 3.2
21	VIT0004502	M3 NUT
22	0020030179	CUPS LOADER HINGE SUPPORT

## LUCE LUCE SPAQA PIPES MOVEMENT

---

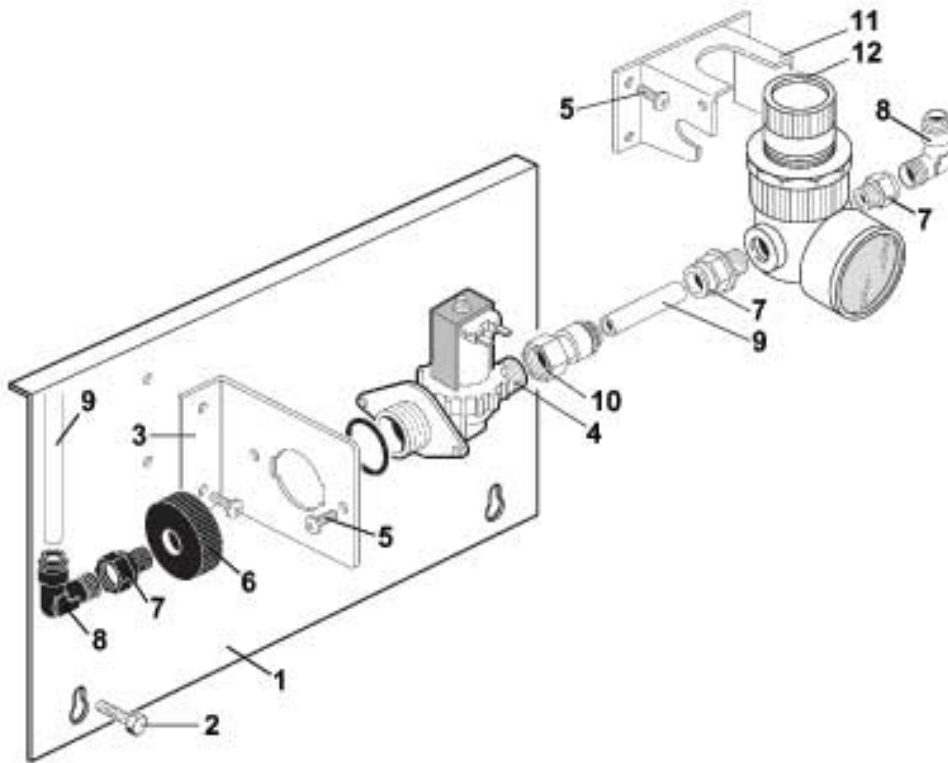


## LUCE LUCE SPAQA PIPES MOVEMENT

Pos.	Code	Description
1	0010015461	FRONT PROTECTION
2	0010015511	CO2 PIPE ANTEARING PASSAGE
3	0550004044	FP THERMOSTAT PROTECTION
4	VIT0002003	3.5x 9.5 TAPPING TCB SCREW
5	0010015465	UPPER COVER
6	VIT0000236	E.H SCREW M 6 x 11 + FR
7	0010015492	PUMP SUPPORT
8	0110004034	PUMP MOD. 03.540
9	0550060015	PUMP SPACER
10	VIT0002401	SCREW TCB 3.5 x 9.5
11	0100005064	ELBOW MIDDLE D.8
12	0010015493	PUMP SUPPORT COVER
13	VIT0000030	SCREW TCB M4 x 7
14	0010015506	PUMP CABLE PROTECTION CARTER
15	0380011457	H2P PRODUCT PIPE SUPPORT
16	VIT0002010	3,5x9,5 TAPPING SCREW
17	0380011453	H2O CLOSED STATION PIPE SUOPRT
18	0380010599	KEY PIPES MOVEMENT
19	0380010629	KEY PIPES MOVEMENT
20	GUA0010003	BLACK CHOCK RUBBER 7522
21	0100005067	ELBOW WITH TANG D. 8
22	0100005030	STRAIGHT TERMINAL D.6 1/8 CIL.
23	0100005068	ELBOW WITH TANG D. 6
24	TPE0000004	LLDPE TRANSPARENT PIPE D.4x6
25	TPE0000001	LLDPE BLUE PIPE D.6x8
26	TPE0000002	LLDPE BLACK PIPE D.6x8
27	TPE0000003	LLDPE PIPE D. 6X8 TRANSPARENT
28	0100005069	Y MIDDLE D.8
29	0100005047	PLUG D.8
30	0010015487	UNION FOR H2O FG-BG
31	0010015517	AFLOAT MICRO SUPPORT
32	ELE0001528	MICRO 83.161.832
33	NL201106265	MICRO LEVER
34	4600010014	MICRO SPACER
35	0070020038CL	FLOATER ASSEMBLY

## LUCE LUCE SPAQA WATER INLET

---



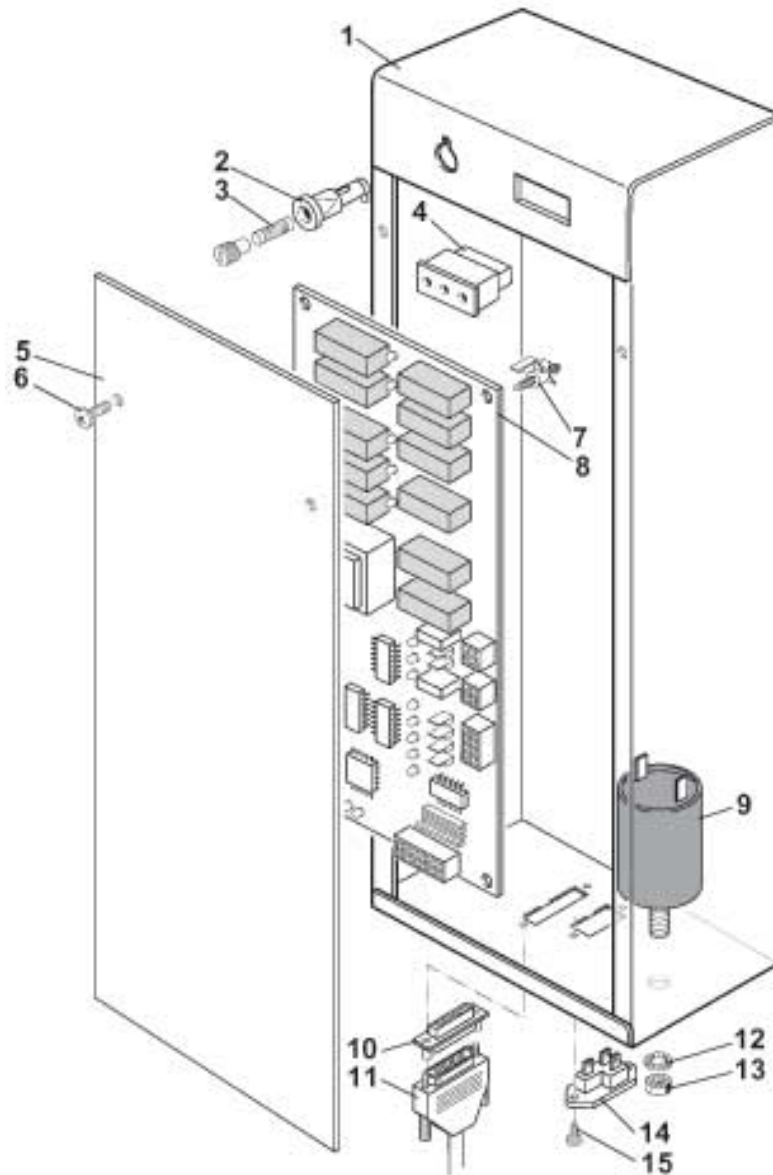
## LUCE

### LUCE SPAQA WATER INLET

Pos.	Code	Description
1	0010015496	EV SUPPORT- PRESSURE REDUCTION
2	VIT0000236	E.H SCREW M 6 x 11 + FR
3	0010015497	EV SUPPORT
4	0110001101	H2O INLET EV 24DC
5	VIT0000030	SCREW TCB M4 x 7
6	0100005048	ADAPTER 3/4F - 1/4F
7	0100005031	STRAIGHT TERMINAL D.8 1/4 CIL.
8	0100005067	ELBOW WITH TANG D. 8
9	TPE0000003	LLDPE PIPE D. 6X8 TRANSPARENT
10	0100005032	STRAIGHT TERMINAL D.8 - 1/4 F.
11	0010015494	PRESSURE REDUCTOR SUPPORT
12	0110003007	WATER MICROREGULATOR 1/4 0-8 bar

## LUCE LUCE SPAQA CONTROL PANEL

---

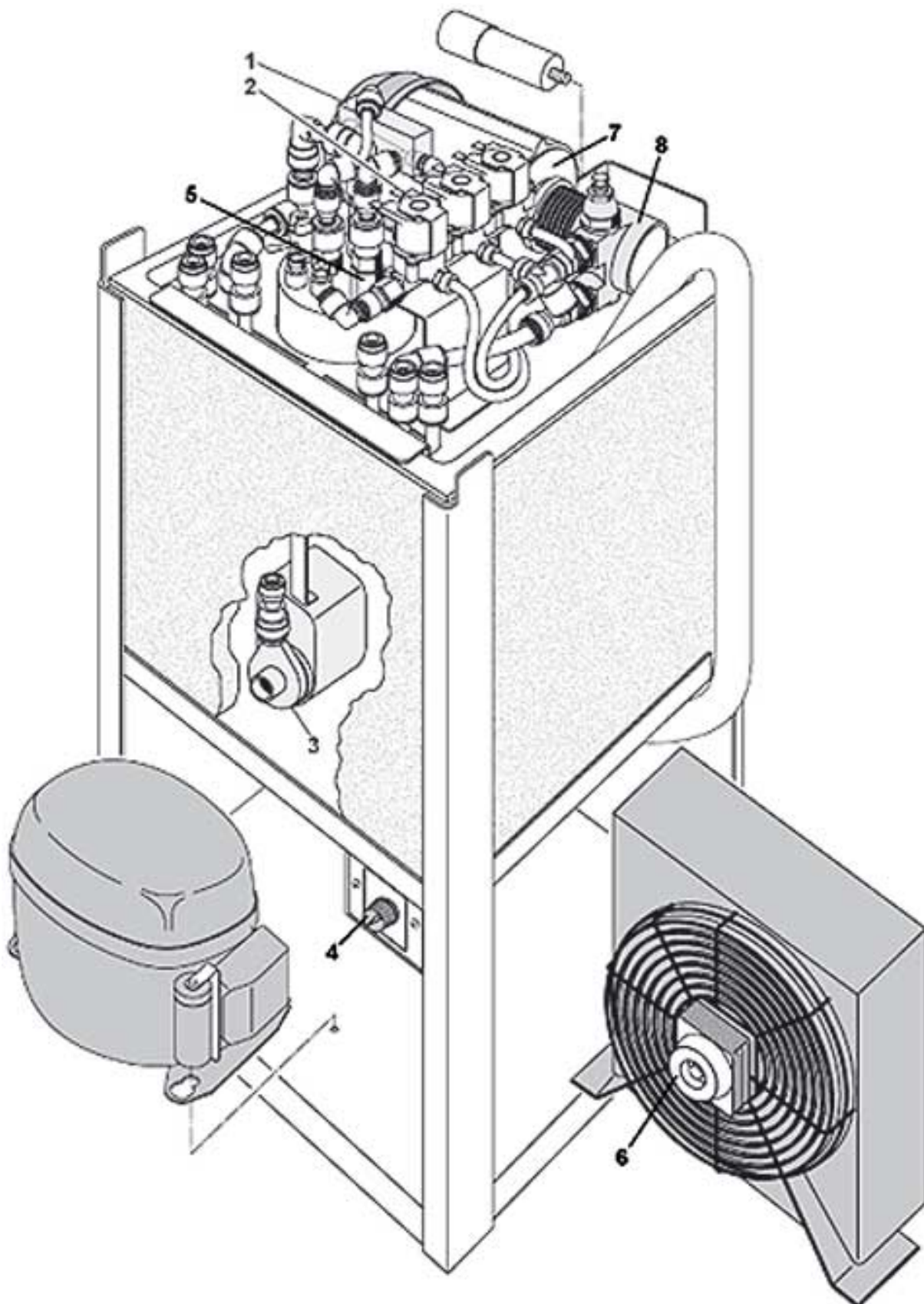


## LUCE LUCE SPAQA CONTROL PANEL

Pos.	Code	Description
1	0130012015	CONTROL PANEL STRUCTURE
2	ELE0003507	FUSES HOLDER
3	ELE0003023	4 A 6.3x32 SLOW-BLOW CERAMIC TYPE FUSE
4	ELE0002305	10 A 250 V SOCKET
5	0130012017	CONTROL PANEL COVER
6	VIT0002401	SCREW TCB 3.5 x 9.5
7	ELE0062008	PIN BOARD SUPPORT
8	SCH0005300	H2O 03 MODULE
9	ELE0009055	ANTIPARASITIC FILTER
10	ELT0030594	KOSMOLOGIK CONTROL BOARD LINK
11	ELE0056007	9 POLES CABLE
12	VIT0003106	WASHER tab D. 8
13	VIT0004506	M 8 NUT
14	ELE0002312	IEC 10A 250V SOCKET
15	VIT0002009	SCREW T.C.B. 3,5 x 6,5

## LUCE ICEE TEST BENCH

---





## LUCE ICEE TEST BENCH

Pos.	Code	Description
1	0550050029	LINE COMPENSATOR FOR SODA
2	0550050028	EV 3 ING. 230V
3	0550050027	IMMERSION PUMP
4	0550050024	THERMOSTAT
5	0550050030	INOX NO-RETURN VALVE
6	0550050023	MOTOR FAN 10W 220V-50HZ
7	0550050025	MOTOR 165W 230V-50HZ
8	0550050026	BRASS FLUID-O-TECH PUMP
100	0550050022CL	Assembled ice test bench