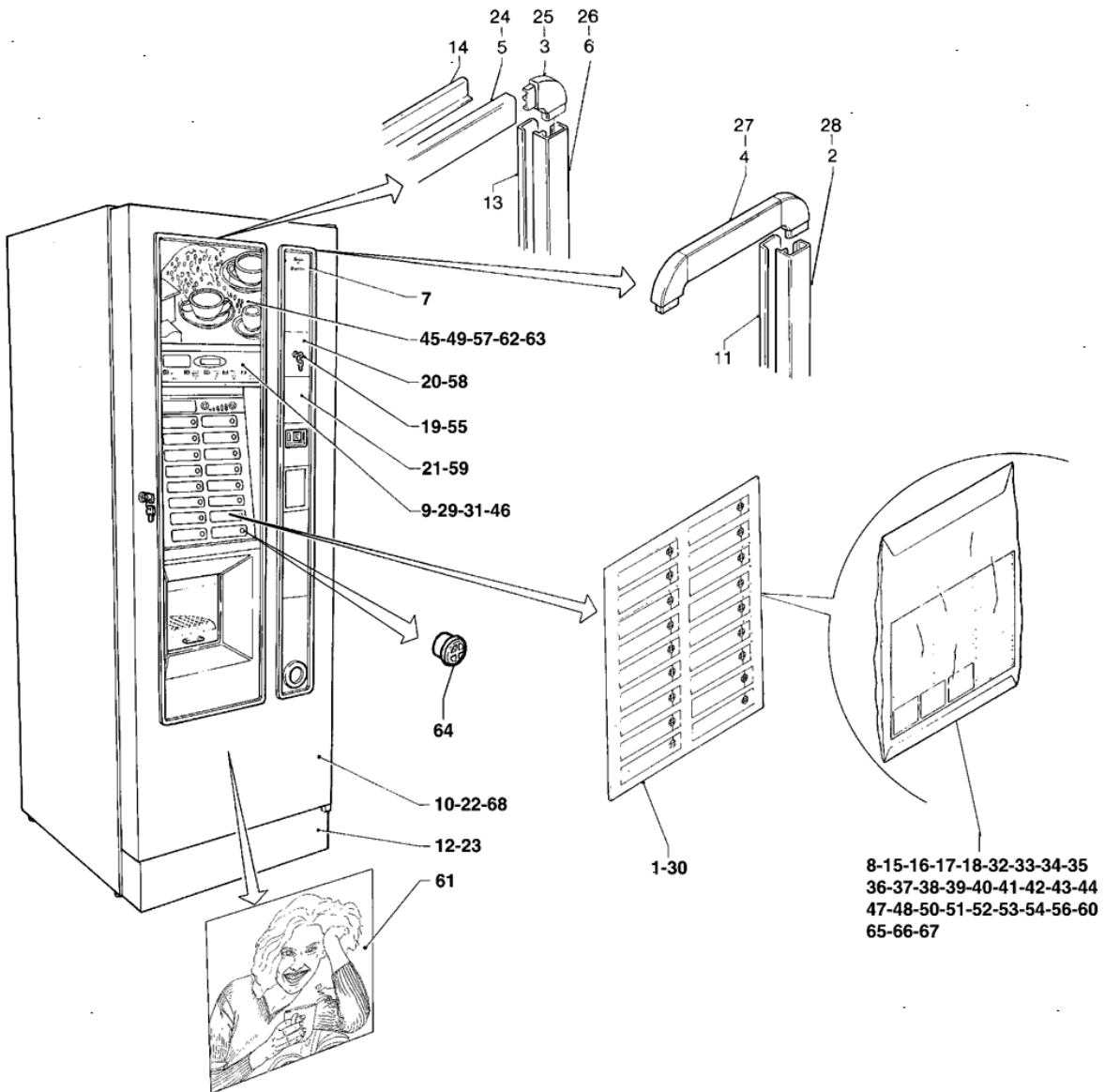


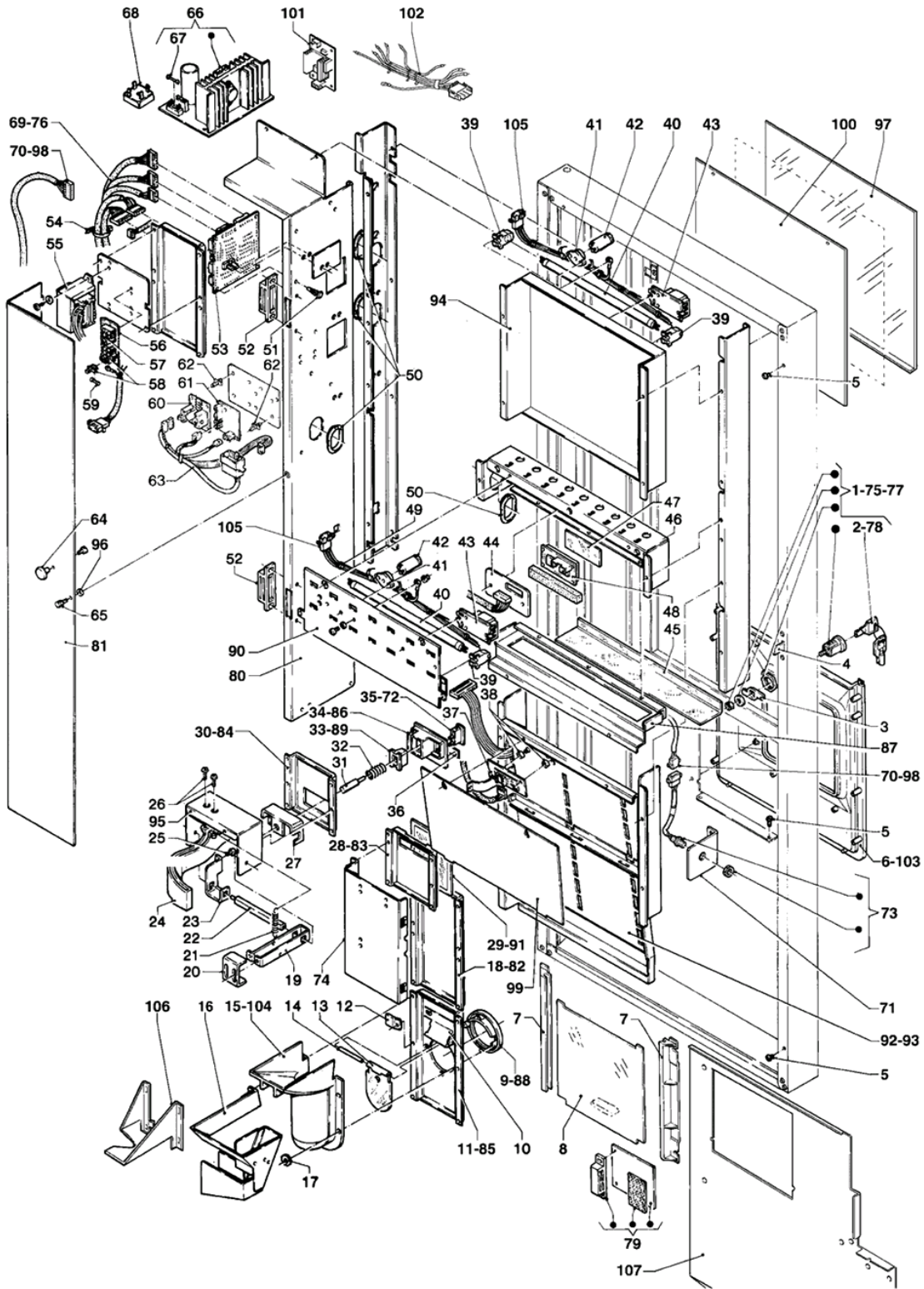
SPAZIO - ESPRESSO - INSTANT - 220 VOLT - 50/60 HZ





	Code	Description	Notes
1	099658	KEY BOARD	
2	098992	VERTICAL PROFILE	
3	098995	PROFILES UNION	
4	099804	FRAME	
5	099640	HORIZONTAL PROFILE	
6	099641	VERTICAL PROFIL	
7	0V1303	LOGOTYPE PLATE 'SPAZIO'	
8	099242	PRICE-LABEL 'UK' N°2	
9	099644	INFORMATIONS SUPPORT	SWITZERLAND VERSION
10	099623	DOOR	
11	099427	VERTICAL PROFILE SUPPORT	}
12	099819	FOOTS COVERING	
13	099628	SUPPORT	
14	099629	SUPPORT	
15	099144	PRICES LABEL (F)	
16	250014	INSTRUCTION PLATE 'EURO'	
17	099253	PRICE LABELS 'UK' N°1	
18	0V0689	PRODUCT TAGS	FRENCH VERSION
19	099743	FREE VEND SWITCH	GERMAN VERSION
20	098126	JUG FACILITIES ELEMENT	
21	253106	GREY NEUTRAL ELEMENT	
22	0V1680	NESTLE' SPAZIO DOOR	
23	0V0840	FEET COVER 'BLACK'	
24	0V0825	HORIZONTAL PROFILE 'BLACK'	
25	0V0831	PROFILE JUNCTION 'BLACK'	
26	0V0824	VERTICAL PROFILE 'BLACK'	
27	0V0830	PROFILE WITH JUNCTIONS 'BLACK'	
28	0V0823	VERTICAL PROFILE 'BLACK'	
29	0V1684	NESTLE' INFORMATION SUPPORT	
30	0V0839	PUSH-BUTTON PANEL 'BLACK'	
31	0V1307	INFORMATION SUPPORT	
32	0V1082	PRODUCT LABEL '2' FRANCE	
33	0V1302	PRODUCT LABELS (ITALY)	
34	0V1304	PRODUCT LABEL (SPAIN)	
35	0V1305	PRODUCT LABELS 1 (UK)	
36	0V1306	PRODUCT LABELS 2 (UK)	
37	0V1312	PRODUCT LABELS (ARGENTINA)	
38	0V1313	PRICE LABELS (ARGENTINA)	
39	0V1323	PRODUCT LABELS 1 (BELGIUM)	
40	0V1324	PRODUCT LABELS 2 (BELGIUM)	
41	0V1394	PRODUCT LABELS (CZECH R.)	
42	0V1395	PRICE LABELS (CZECH R.)	
43	0V3367	PRICE PLATE - EURO 0.01-	ITALY ONLY
44	0V3368	PRICE PLATE - EURO 0.05-	
45	0V4161	PHOTOGRAPHIC PANEL -STD-	
46	0V1307	INFORMATION SUPPORT	

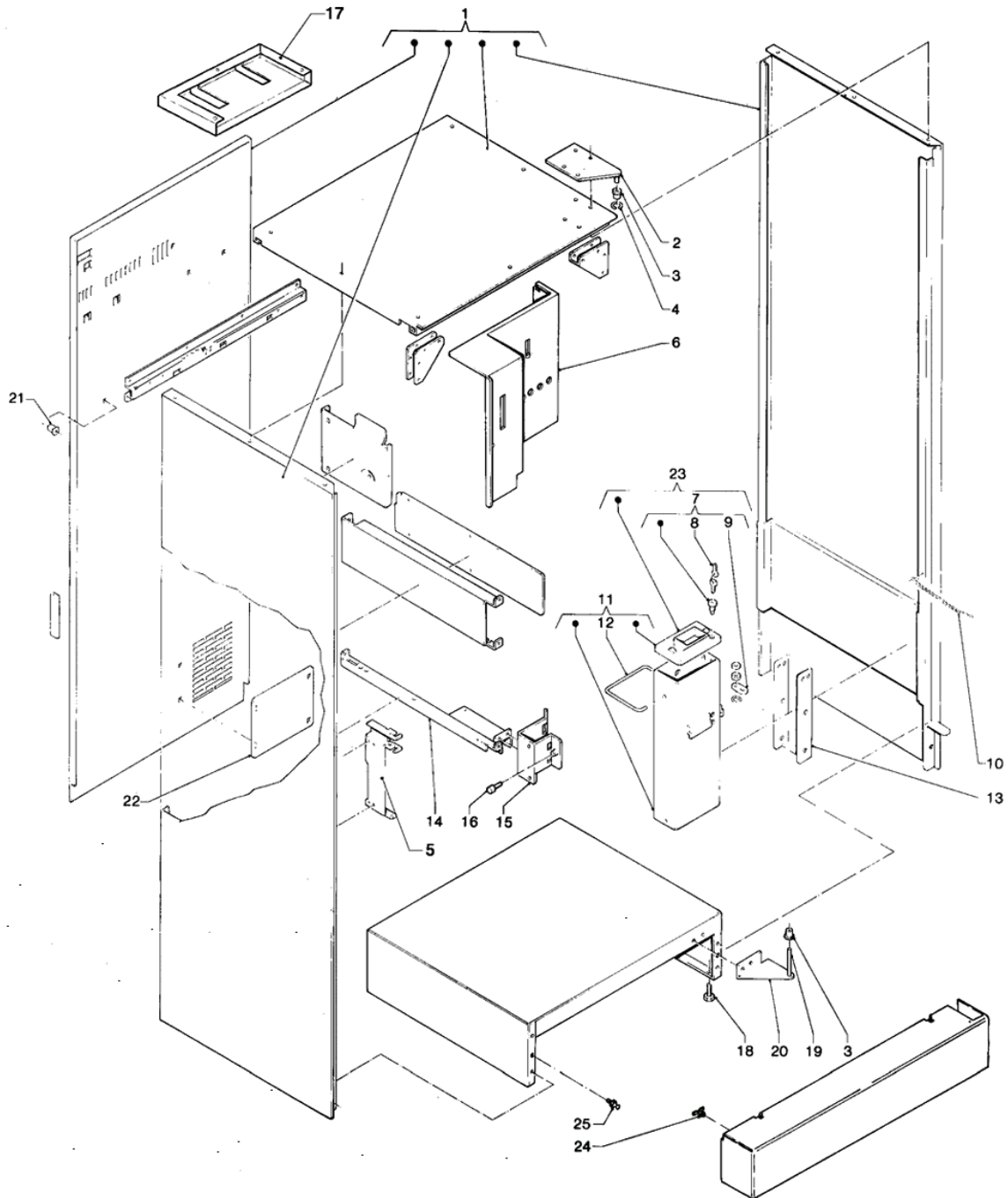
	Code	Description	Notes
47	0V1311	PRODUCT LABELS (GERMANY)	
48	0V2634	PRODUCT LABELS -D- SELECTA	
49	0V4160	PHOTOGRAPHIC PANEL-SELECTA-	
50	0V2487	SPAZIO PRODUCT LABEL (ISRAEL)	
51	0V1907	PRICE LABELS 'SLOVAKIA'	
52	0V1908	PRICE LABEL 'POLAND'	
53	0V1909	PRICE LABEL 'SLOVAKIA'	
54	0V1910	PRICE LABELS 'POLAND'	
55	098136	KEY-SWITCH WIRED	CZECH REP. VERSION
56	0V3429	PRODUCT LABELS - GNAIGER	
57	0V4165	PHOTOGRAPHIC PANEL -GNAIGER-	
58	0V1900	JUG FACILITIES ELEMENT 'BLACK'	
59	0V1681	BLACK NEUTRAL ELEMENT	
60	0V0883	PRODUCT PLATE -SWEDEN-	
61	0V1685	NESTLE' LABEL (E-F)	
62	0V4163	PHOTO-PANEL'NESTLE' -E-F-S-	
63	0V4164	PHOTOGRAPHIC PANEL -TR-GR-	
64	099193	PUSH-BUTTON	
65	0V3603	PRODUCT LABEL 2 - GERMANY	
66	0V3624	INSTRUCTION-PLATE 'UK'	
67	0V3625	INSTRUCTION-PLATE 2 'UK'	
68	0V1080	DOOR (BLACK)	



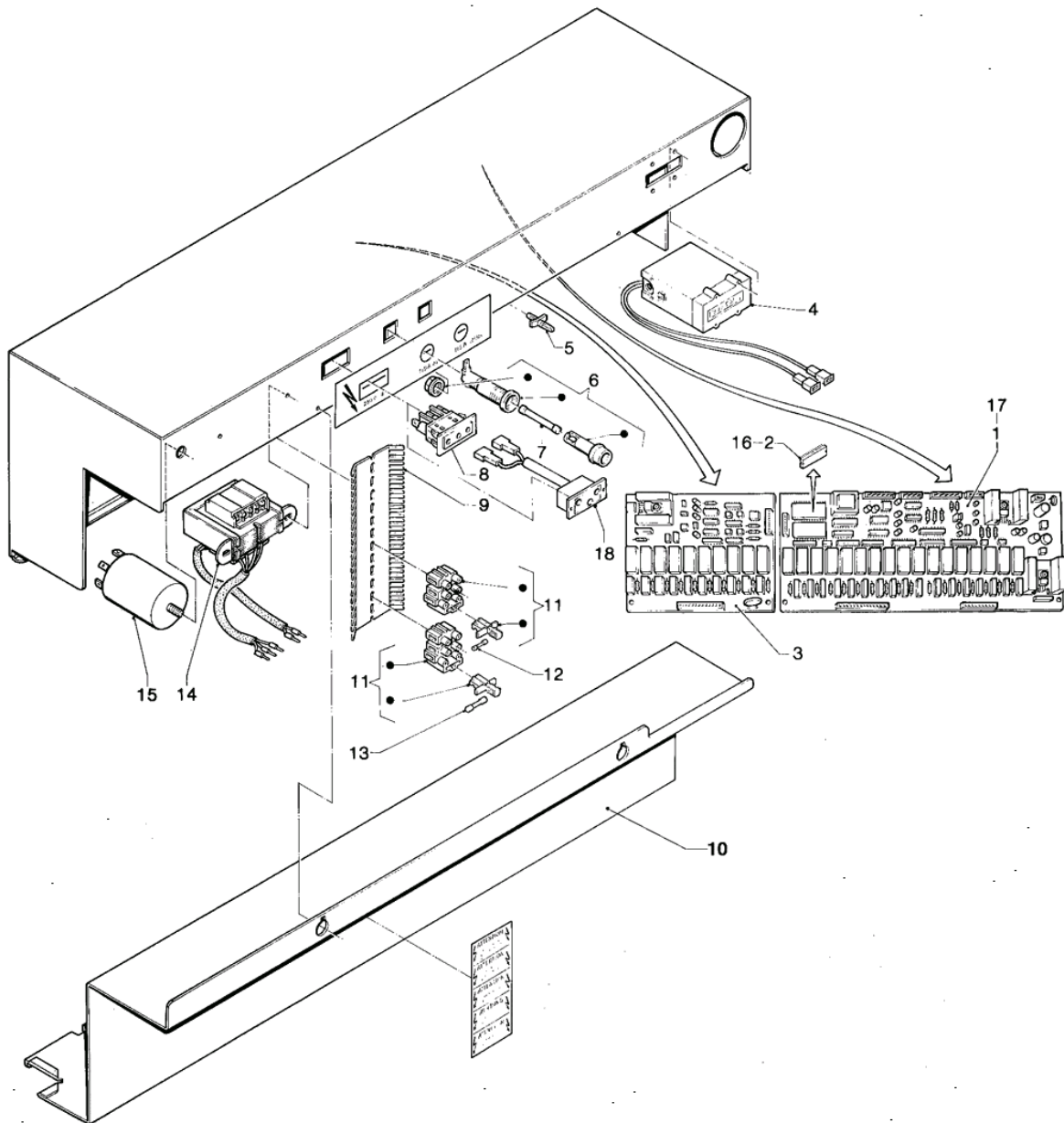
	Code	Description	Notes
1	098303	LOCK TYPE 'N'	
2	098463	PASSPARTOUT -ROUND LOCK-	
3	099538	DEAD BOLT	
4	098755	MICRO ACTIVATOR	
5	098833	BUFFER	
6	252125	DELIVERY AREANE	
7	094482	SHUTTER GUIDE	
8	093888	CUP EXIT SHUTTER	
9	097140	MONEY RETURN FRAME (GREY)	
10	097455	MONEY RETURN SHUTTER BRACKET	
11	099131	DOUBLE COINS RECUPERATION ELEMENT	
12	098246	CONVEYOR FIXING BRACKET	
13	093890	MONEY RETURN SHUTTER	
14	093891	SHUTTER PIVOT	
15	0V1363	COIN CHUTE	
16	099667	COINS CHUTE	
17	093829	LEVER LOCK CLIP	
18	252877	GREY DOUBLE ELEMENT	
19	099731	LOWER LEVER FOR CHANGE	
20	098199	TOUCHER FOR CHANGE	
21	093978	SPRING FOR ACTUATOR	
22	098201	SELECTOR OPENING PIN	
23	098203	UPPER LEVER FOR CHANGE	
24	099539	SLIDE	
25	097298	FASTEX CLIP	
26	255033	SELF-TAPPING SCREW 4X10	
27	099008	TEMPLATE FIXING BRACKET	
28	097321	INFORMATION ELEMENT	
29	097322	INFORMATION PANEL SUPPORT	
30	099132	INTRODUCTION-BADGE-ELEMENT	
31	095965	SELECTOR LEVER OPENING EFFECTER	
32	093870	BUTTON SPRING	
33	097395	MONEY RETURN BUTTON GREY	
34	097394	MONEY RETURN BADGE GREY	
35	095890	LUMINOUS INDICATOR ORANGE	
36	098658	PLATE FOR CHANGE	
37	0V2145	SUGAR LED CARD	
38	099639	SPACER	
39	097267	LAMP HOLDER TYPE G5	
40	097266	LIGHT TYPE TL 8 W	
41	091799	STARTER HOLDER	
42	091802	STARTER TYPE S10	
43	097268	INDUCTOR TYPE BPL	
44	099638	PLATE	
45	099646	MENU' GLASS	
46	099665	DISPLAY-BAND	

	Code	Description	Notes
47	099645	DISPLAY GLASS	
48	251656	DISPLAY 1X16 BLUE	
49	099656	WIRING	
50	093916	WHIPPING OVAL	
51	097175	CARD SPACER	
52	097508	LOCKING MAGNET	
53	0V1371	USER INTERFACE CARD	
54	090148	CLIP	
55	095708	TRANSFORMER 220/24/28V 50W	
56	097242	SUB-TERMINAL BOARD	
57	986053	TERMINAL BOARD	
58	097241	3-POLE TERMINAL BOARD W/CARRIER	
59	096638	FUSE 5X20 200MA	
60	098943	STABILIZER BOARD 24V	
61	098936	COIN-MECH.-BOARD EXECUTIVE	
62	093984	GUIDE SPACER	
63	099370	COIN VERIFIER WIRING	
64	096608	HANDLE FIXED	
65	096977	KNURL	
66	097808	FEEDING BOARD	SWITZ.-GEERMANY VERSION
67	097097	FUSE 2 AMP.5X20 DELAYED ACT	SWITZ.-GEERMANY VERSION
68	094900	DIODE BRIDGE	SWITZ.-GEERMANY VERSION
69	0V1382	MDB - BDV DOOR WIRING	
70	099924	JUG FACILITIES/FREE VEND WIRING	SWITZ.-GEERMANY VERSION
71	099677	SUPPORT	SWITZ.-GEERMANY VERSION
72	099187	LUMINOUS INDICATOR	SWITZ.-GEERMANY VERSION
73	099272	PHOTOELECTRIC CELL	SWITZ.-GEERMANY VERSION
74	0V0167	COIN MECHANISM SUPPORT	
75	099905	LOCK RIELDA	FRENCH VERSION
76	0V0168	DOOR WIRING	
77	099043	LOCK TYPE'N'PREFER	SWITZERLAND VERSION
78	096363	MAIN KEY TYPE 'N'	SWITZERLAND VERSION
79	099933	SUPPORT	SWITZERLAND VERSION
80	0V0894	COIN MECH OBOX	SWITZERLAND VERSION
81	0V0169	COVERING	
82	0V0826	DOUBLE ELEMENT 'BLACK'	
83	0V0827	INFORMATION ELEMENT 'BLACK'	
84	0V0828	COIN INSERT ELEMENT 'BLACK'	
85	0V0829	COIN RETURN ELEMENT 'BLACK'	
86	0V0832	COIN INSERT FRAME 'BLACK'	
87	0V3293	LOWER SUPPORT	
88	0V0834	COIN RECOVERY FRAME 'BLACK'	
89	0V0835	PUSH-BUTTON 'BLACK'	
90	251126	LAMP SUPPORT	
91	0V0838	TAG SUPPORT 'BLACK'	
92	0V0805	PUSH-BUTTON-PANEL SUPPORT	

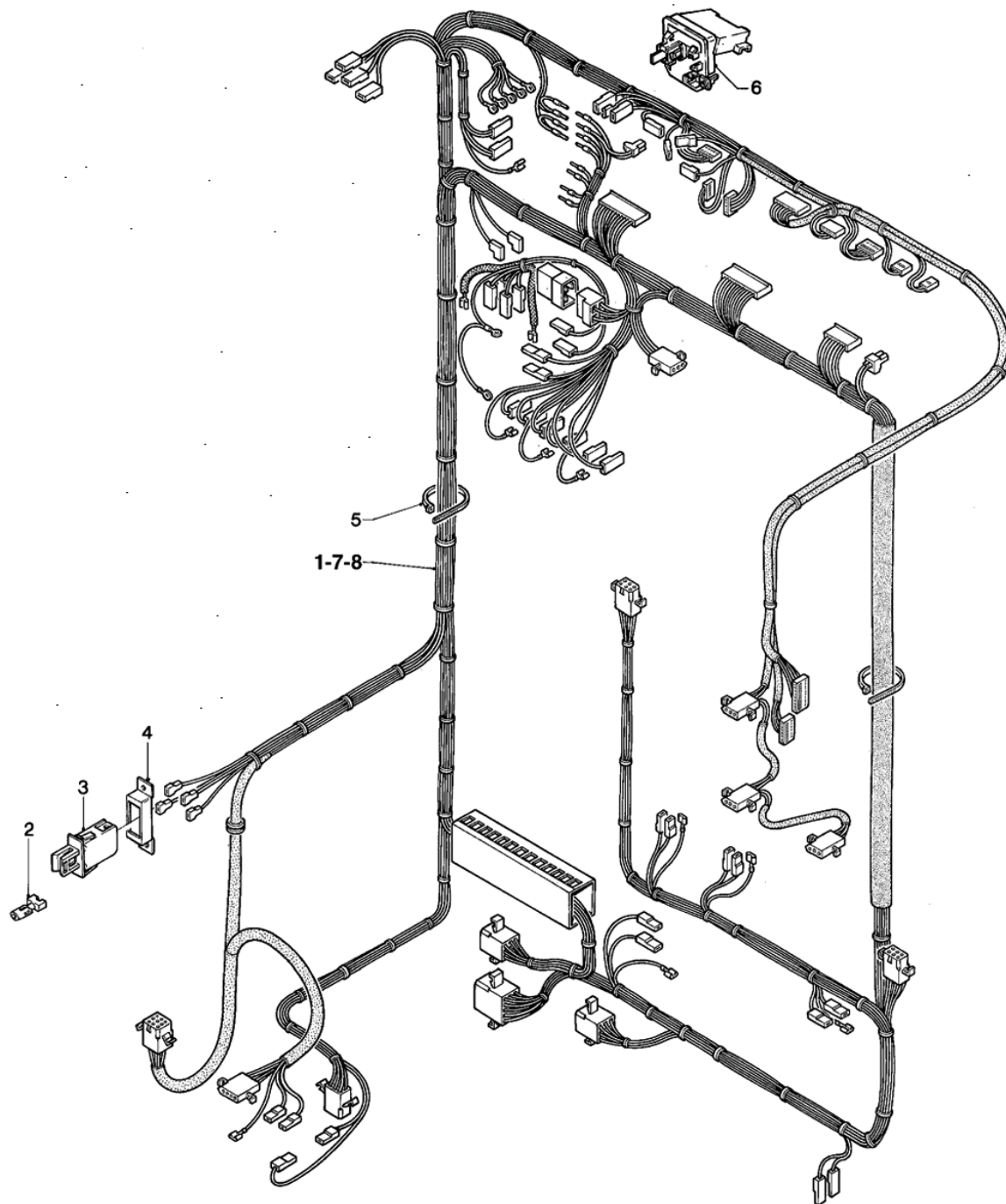
	Code	Description	Notes
93	0V0822	PUSH-BUTTON PANEL SUPPORT 'BLACK'	
94	0V4157	PHOTOGRAPHIC PANEL SUPPORT	
95	0V4305	COIN INTRODUCTION SUPPORT	
96	092161	WASHER MM 6.4X130.6	
97	0V4159	TRANSPARENT PANEL	
98	0V0884	PHOTOCELL WIRING	
99	0V1593	COVER	
100	0V4158	OPAL-GLASS	
101	0V2713	13 V. 1 AMP ADJUSTMENT BOARD	
102	0V2712	SMILE BILL CASHBOX WIRING	
103	0V0833	DISPENSING OPENING 'BLACK'	
104	0V1797	'BLACK' COIN DUCT	
105	251746	LAMP WIRING	
106	0V1360	COIN BOX PROTECTION 'VEN.LX-SPAZIO'	
107	250796	LOWER COVER	



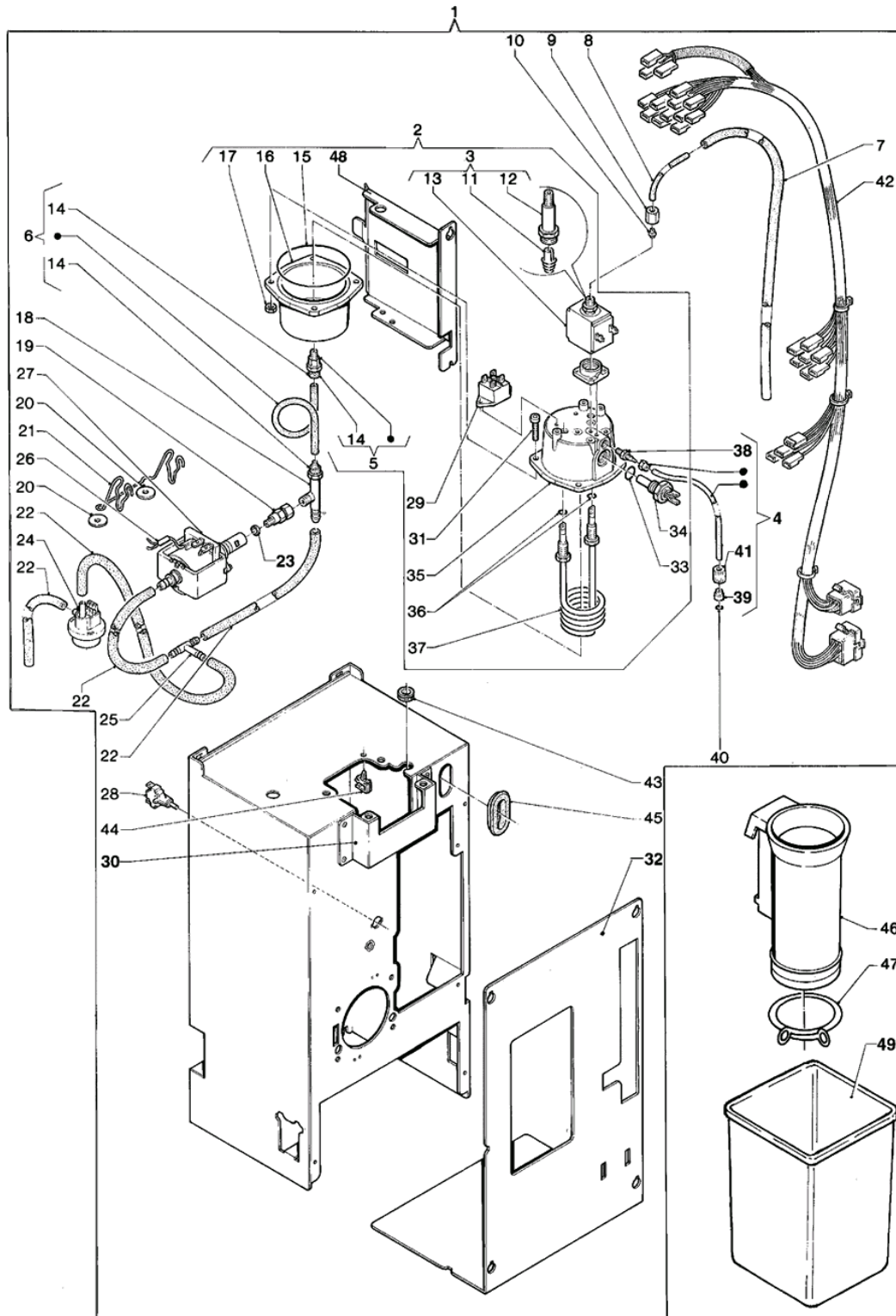
	Code	Description	Notes
1	099669	CABINET ASSY	
2	098440	UPPER HINGE	
3	093886	HINGE BUSH	
4	093171	OUTER FIXING COLLAR DIAM MM6	
5	0V0945	SHELF SUPPORT	
6	099626	COVERING	
7	090861	CYLINDER LOCK TYPE K	
8	092218	PASSE-PARTOUT LOCK K	
9	098551	BOLT	
10	099663	DOOR STOP	
11	0V0540	COIN BOX	
12	098791	COIN-BOX HANDLE	
13	099627	SUPPORT	
14	099624	SUPPORT	
15	098753	SUPPORT DELIVERY OPENING	
16	096977	KNURL	
17	0V1937	DOCUMENTAZION PROTECTION	
18	096244	LITTLE FEET	
19	094576	CENTERING PLUG	
20	099634	REINFORCEMENT FOR LOWER HINGE	
21	094111	INSULATING DOLLY BLOCK	
22	0V0171	BACK COVERING	
23	099493	MONEY-BOX LID	
24	094073	LOCK SPRING GRINDER AND COFFEE GROU	
25	094159	FIXING PLUG	



	Code	Description	Notes
1	0V1960	CPU/REALISATION BOARD	
2	095004	EPROM 512K(TO BE PROGRAMMED)	
3	099659	MEMORY EXPANSION BOARD	
4	0V2470	WIRED SCALER 12 VOLT	
5	093984	GUIDE SPACER	
6	098794	FUSE-HOLDER	
7	095636	FUSE 15 A	
8	096921	POWER POINT 10 AMP	
9	097242	SUB-TERMINAL BOARD	
10	250960	ELECTRICAL PANEL COVER	
11	097241	3-POLE TERMINAL BOARD W/CARRIER	
12	097544	FUSE 125 MA DELAYED ACTION	
13	097103	FUSE 1.25A 5X20 DELAYED ACTION	
14	098792	TRANSFORMER	
15	0V3512	ELECTRICAL NET FILTER	
16	099982	1024K-EPROM (TO BE PROGRAMMED)	SWITZ.-GEERMANY VERSION
17	0V1858	PLUS CPU/REALISATION BOARD	SWITZ.-GEERMANY VERSION
18	0V1621	SOCKET	SWITZERLAND VERSION

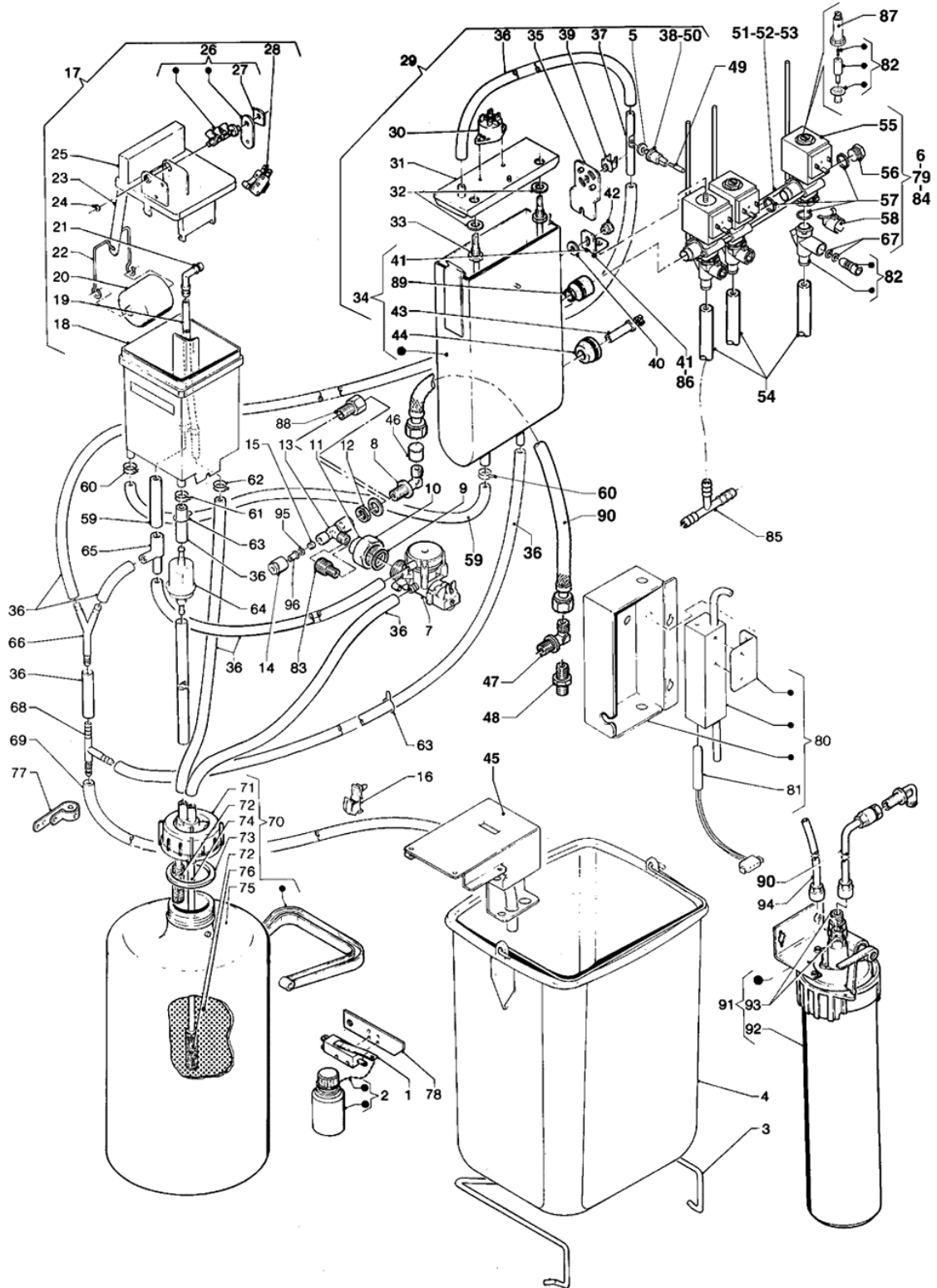


	Code	Description	Notes
1	099987	GENERAL WIRING	INSTANT VERSION
2	0V1654	SWITCH KEY	
3	097796	SWITCH	
4	098797	SWITCH SUPPORT	
5	090148	CLIP	
6	098796	TERMINAL BOARD	
7	0V0173	GENERAL WIRING	
8	0V0900	MAIN WIRING	ENGLAND-SUISS VERSIONS



	Code	Description	Notes
1	099651	COMPLETE COFFEE CONSOLE	
2	099745	COMPLETE COFFEE BOILER	
3	097470	3-WAY ELECTROVALVE 220V	
4	098709	PISTON-PIPE	
5	098758	STRAIGHT UNION	
6	0V2158	PUMP PIPE/COFFEE BOILER	
7	094386	HOSE VIPLA MM 6X9	
8	092068	TEFLON PIPE DIAM MM 2X4	
9	093636	TIGHTENING NUT ELECTR. DE-AERATION	
10	093635	TIGHTENING RING ELECTRICAL DE-AERAT	
11	250348	3-WAY ELECTROVALVE NUCLEUS- RUBY-	
12	250016	3-WAY ELECTROVALVE PIPE	
13	099057	ELECTROV.-COIL 220/230 VOLT	
14	099107	NUT	
15	099748	GASKET	
16	099746	LOWER BOILER-COVER	
17	255042	NUT M6	
18	098764	BY-PASS PUMP (12 BAR)	
19	099101	NO-RETURN VALVE	
20	093091	PUMP DAMPER	
21	098697	PUMP SUPPORT	
22	097510	SILICONE HOSE 5X9 BROWN	
23	251143	ALUMINIUM WASHER	
24	098707	VOLUMETRIC COUNTER	
25	094231	UNION T-SHAPE	
26	098815	90 DEGREES THERMIC PROTECTION	
27	098760	PUMP (VIBRATION)	
28	097898	UNIPOLAR BUTTON	
29	0V1318	125 DEGR. THERMOSTAT	
30	0V2802	GRINDER SUPPORT	
31	255041	SCREW M6X25	
32	0V4154	COFFEE-SHELF COVER	
33	095624	GASKET O-RING 116 EP851	
34	094872	BOILER TEMPERATURE PROBE	
35	099747	UPPER BOILER-COVER	
36	254711	GASKET O-RING112 2.62X9.92	
37	099653	HEATING ELEMENT 1450 W	
38	0V1434	STRAIGHT UNION	
39	098711	BUSH PISTON PIPE	
40	094611	GASKET O-RING 2018	
41	098699	UNION FOR PISTON PIPE	
42	099654	WIRING	
43	093312	WHIPPING DIAM MM 12 ART 46	
44	098165	WIRE-FIXING	
45	098600	CHOCK	
46	094047	PASTILLE BAG HOSE	

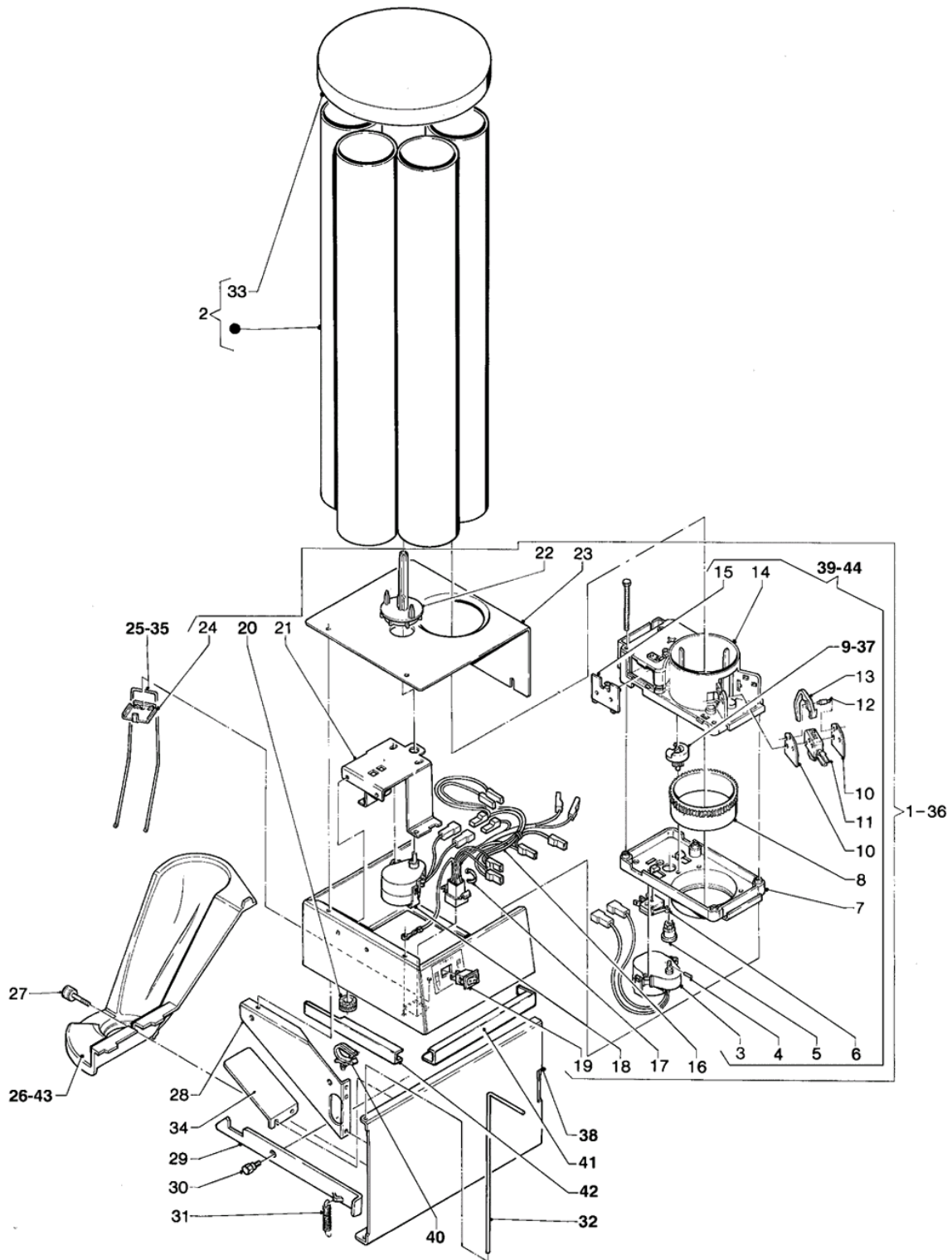
	Code	Description	Notes
47	094048	BAG LOCK COLLAR	
48	0V1389	BOILER SUPPORT	
49	093072	COFFEE-GROUNDS BASIN .	



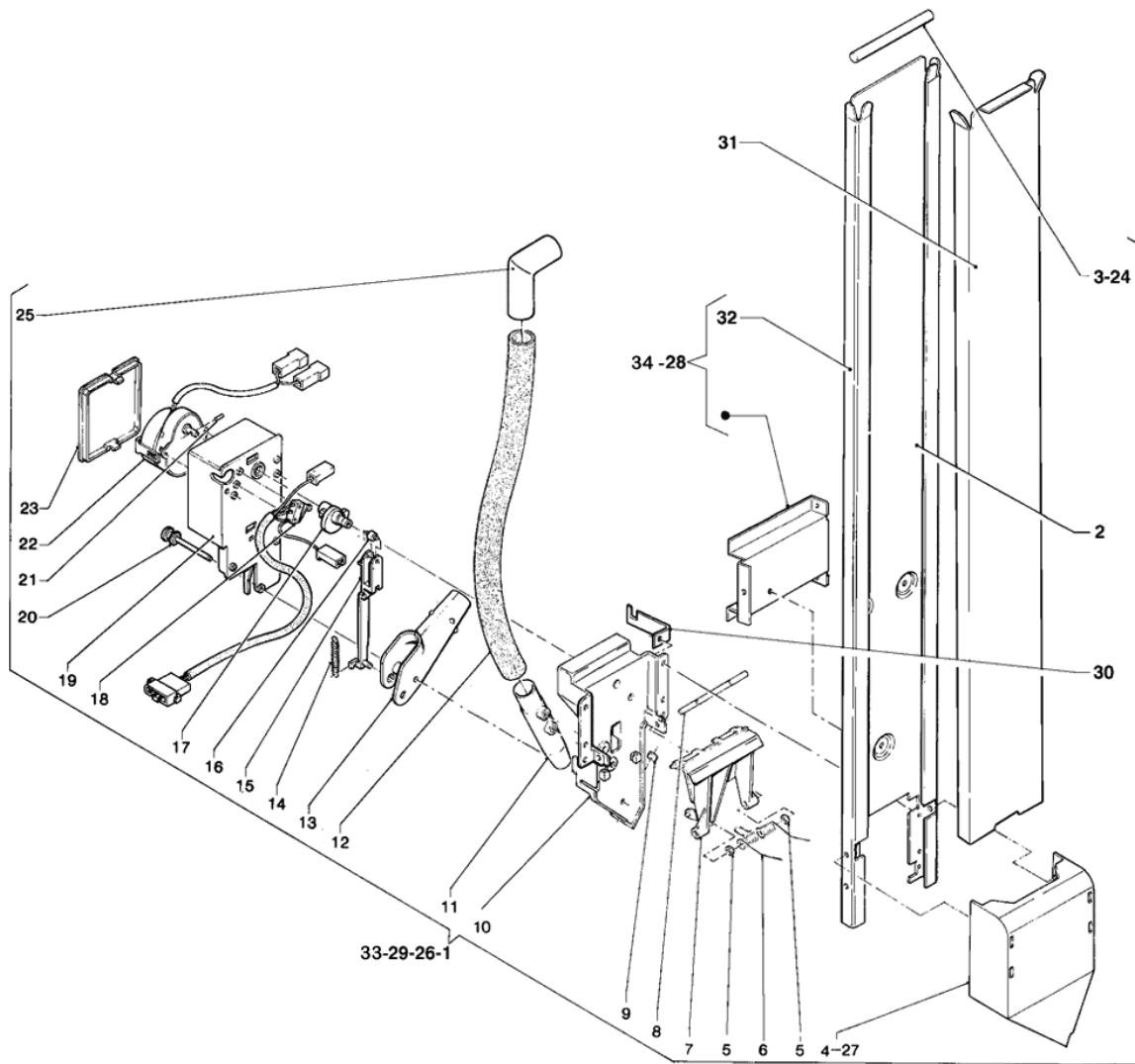
	Code	Description	Notes
1	093308	MICROSWITCH SERIE RLL/D	
2	094294	FLOAT	
3	095730	BUCKET FASTENER	
4	254569	BLUE GROUND BUCKET	
5	094597	COPPER WASHER	
6	099914	GROUP 3 ELECTROVALVES	
7	097383	ELECTROVALVE WATER-INLET 220V-2.5L/MIN-	
8	092651	INTERMEDIATE ELBOW LINK	
9	092364	UNION GASKET 3/4	
10	093951	TIGHTENING NUT G 3/4	
11	093952	WATER INLET CONNECTION NIPPLE	
12	092652	LOCK NUT 1/4 REV	
13	095586	BANJO UNION T-SHAPE	
14	092387	TIGHTENING NUT	
15	096656	PLUG COLLAR	
16	098459	WIRE-CLIP	
17	098250	AIR-BREAK COMPLETE	
18	094115	AIR BREAK CASE	
19	094330	HOSE POLYTHENE MM 6X9	
20	094120	FLOAT	
21	094571	UNION 90 DEGREES	
22	094118	FLOAT ARM	
23	094119	CONNECTING ROAD	
24	091959	BENZING COLLAR DIAM MM4	
25	094116	AIR-BREAK LID	
26	094933	CONTROL DEVICE MICRO AIR-BREAK	
27	094128	GRIP CLIP	
28	0V1929	MICRO 'UL' FOR AIR-BREAK	
29	099671	INSTANT BOILER COMPLET	
30	0V1364	105 DEGREE SAFETY THERMOSTAT	
31	098867	INSTANT-BOILER COVER	
32	099289	GASKET	
33	098862	STRENGTHENED HEATING-ELEMENT	
34	098866	INSTANT-BOILER	
35	099749	BRACKET	
36	097512	SILICONE HOSE 6X12 BROWN	
37	098390	PIPE FOR THERMOSTAT FIXING	
38	098726	THERMOSTAT	
39	098484	HOSE FIXING	
40	093179	INSULATING WASHER MOTOREDUCTER	
41	098895	ELECTROVALVE FIXING BRACKET	
42	097699	KNURL M4	
43	0V0157	FEELER	
44	099918	GASKET FOR FEELER	
45	0V3616	NOZZLES SUPPORT	
46	099805	STOPPER	

	Code	Description	Notes
47	094334	INTERMEDIATE ELBOW LINK	
48	0V2708	1/4 UNION	
49	0V2074	THERMOSTAT ACTUATOR	
50	0V2129	THERMOSTAT 82 C	
51	0V4309	LOCKING TUBE L=138	
52	0V4309	LOCKING TUBE L=138	
53	0V4309	LOCKING TUBE L=138	
54	097511	SILICONE HOSE 6X9 BROWN	
55	099057	ELECTROV.-COIL 220/230 VOLT	
56	0V4308	STOPPER WITH O-RING	
57	0V3554	GASKET O-RING	
58	0V3556	LOWER BODY STOP	
59	097515	SILICONE HOSE 10X16 BROWN	
60	096264	HOSE CLIP	
61	095515	HOSE CLIP DIAM 14	
62	097122	HOSE CLIP	
63	092703	TUBE CLAMP	
64	097435	WATER FILTER VOLUMETRIC COUNTER	
65	094185	CODENSE RECOVERY UNION	
66	093959	UNION Y-SHAPE DIAM 12 OUTER	
67	099064	ADJUSTING-SCREW-GASKET	
68	096552	UNION T-SHAPE	
69	093628	HOSE VIPLA TRANSPARENT DIAM MM 14X1	
70	094124	DEPURATOR COMPLETE	
71	094126	DEPURATOR LID	
72	091993	DEPURATOR FILTER	
73	092942	DEPURATOR COVERING GASKET	
74	094127	WATER OUTLET PIPE	
75	094124	DEPURATOR COMPLETE	
76	091995	RESIN DEPURATOR 5 LITRES	
77	091420	ADJUSTABLE COLLAR	
78	092761	INSULATING DISK	
79	0V0901	5-ELECRTOVALVE UNIT	
80	099717	HEATING DEVICE	ITALY-SPAIN VERSION
81	099718	HEATING ELEMENT	ITALY-SPAIN VERSION
82	251632	ELECTROVALVE KIT	
83	097441	WATER INLET INTERMEDIATE HYP.-2	
84	0V0729	220V 4-ELECTROVALVE UNIT	
85	093963	UNION Y-SHAPE DIAM 8 OUTER	
86	0V0895	SQUARE PIECE FOR 5 ELECTROV.	SWITZERLAND VERSION
87	0V3552	VALVE BUSH	
88	0V1400	STRAIGHT CONNECTOR	SWITZERLAND VERSION
89	099847	GASKET	
90	097378	CONNECTION PIPE	
92	099775	FILTER CARTRIDGE BH ²	
93	092535	TERMINAL MALE	

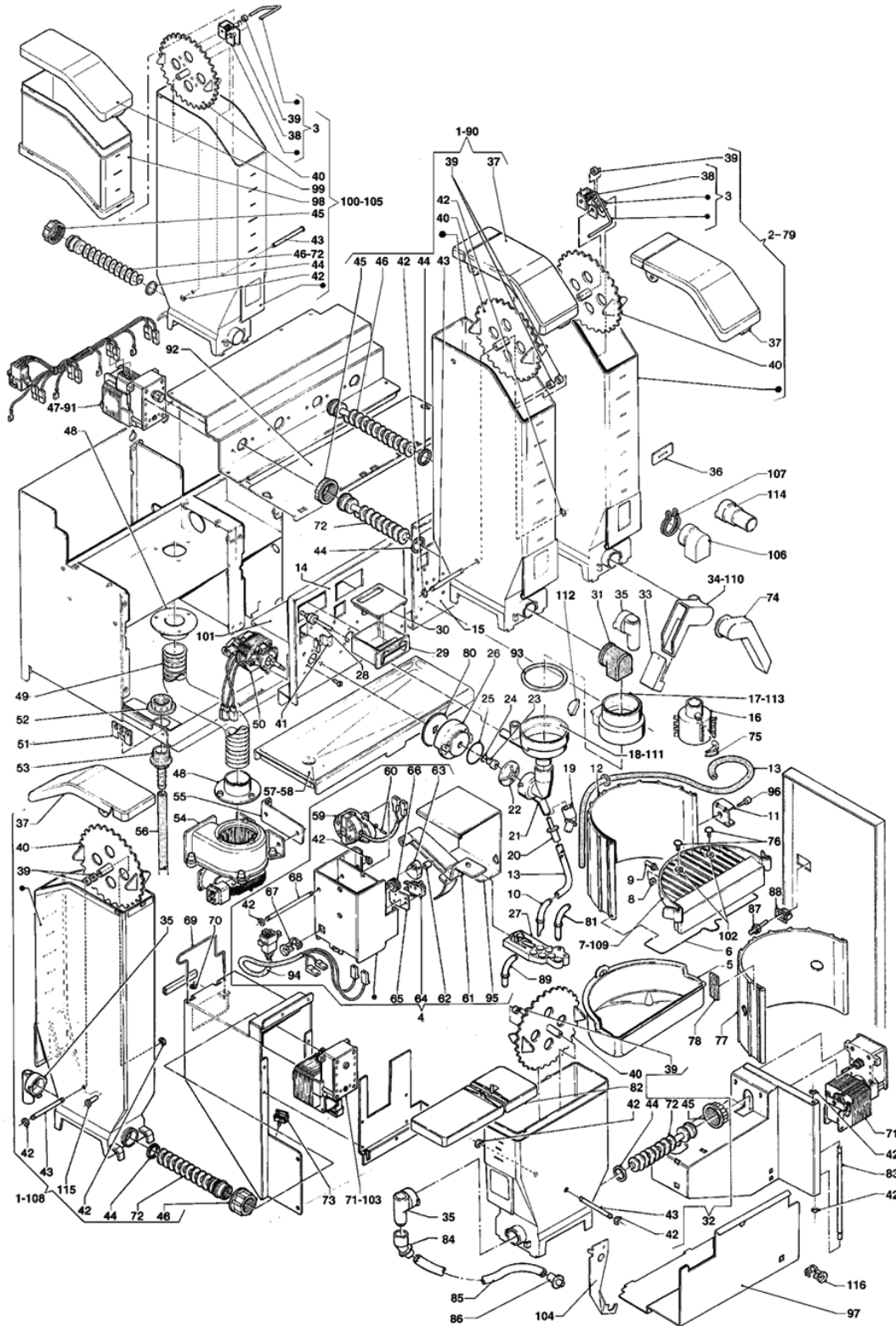
	Code	Description	Notes
94	099999	PIPE	
95	092388	TIGHTENING RING	
96	092579	REINFORCEMENT BUSH	



	Code	Description	Notes
1	0V0483	CUP DISPENSER DIAM.70-71	
2	099664	CUPS-CONTAINER	
3	099397	MOTOR REDUCTOR 6G/1 MIN.	
4	096904	ELASTIC PLUG 1.5X8	
5	098476	PINION	
6	0V1928	MICRO-SWITCH 'UL'	
7	098473	LOWER SHELL	
8	098477	TOOTHED RING	
9	098305	SCROLL DIAM.70/71	
10	092984	MICRO SUPPORT DISK	
11	092439	MICRO TYPE 'CHERRY'	
12	093419	MICRO DRIVE LEVER PIVOT	
13	092982	MICRO LEVER	
14	098474	UPPER SHELL	
15	098475	SHUTTER	
16	098704	CUP-DISTRIBUTOR-WIRING	
17	090148	CLIP	
18	098845	MOTOREDUCER	
19	097807	BUTTON	
20	098600	CHOCK	
21	098844	MOTOREDUCER SUPPORT	
22	098917	ROTATION DISC	
23	098846	CUPS-COVER	
24	093851	FORK BRACKET	
25	099633	FORK	
26	099542	CUP CHUTE 70-71	
27	099636	KNURL	
28	098850	CUPS-DISTRIBUTOR SQUARE SUPPORT	
29	098754	COUPLER LEVER	
30	090615	COLLAR SCREW	
31	093978	SPRING FOR ACTUATOR	
32	099631	PIN	
33	0V3658	CUP CONTAINER COVER	
34	099751	BRACKET	
35	0V0923	CUP FORK (UK)	
36	0V0482	CUP DISPENSER DIAM. 73-74	
37	0V1659	SNAIL W/DIAM. 73-74	
38	0V1754	CUPS-SHELF	
39	0V2107	CUP DISPENSER 70/71	
40	098166	WIRE-FIXING	
41	0V3294	FRONT SPACER	
42	0V3295	REAR SPACER	
43	099543	CUP CHUTE 73-74	
44	0V3623	CUP DISPENSER 73/74	



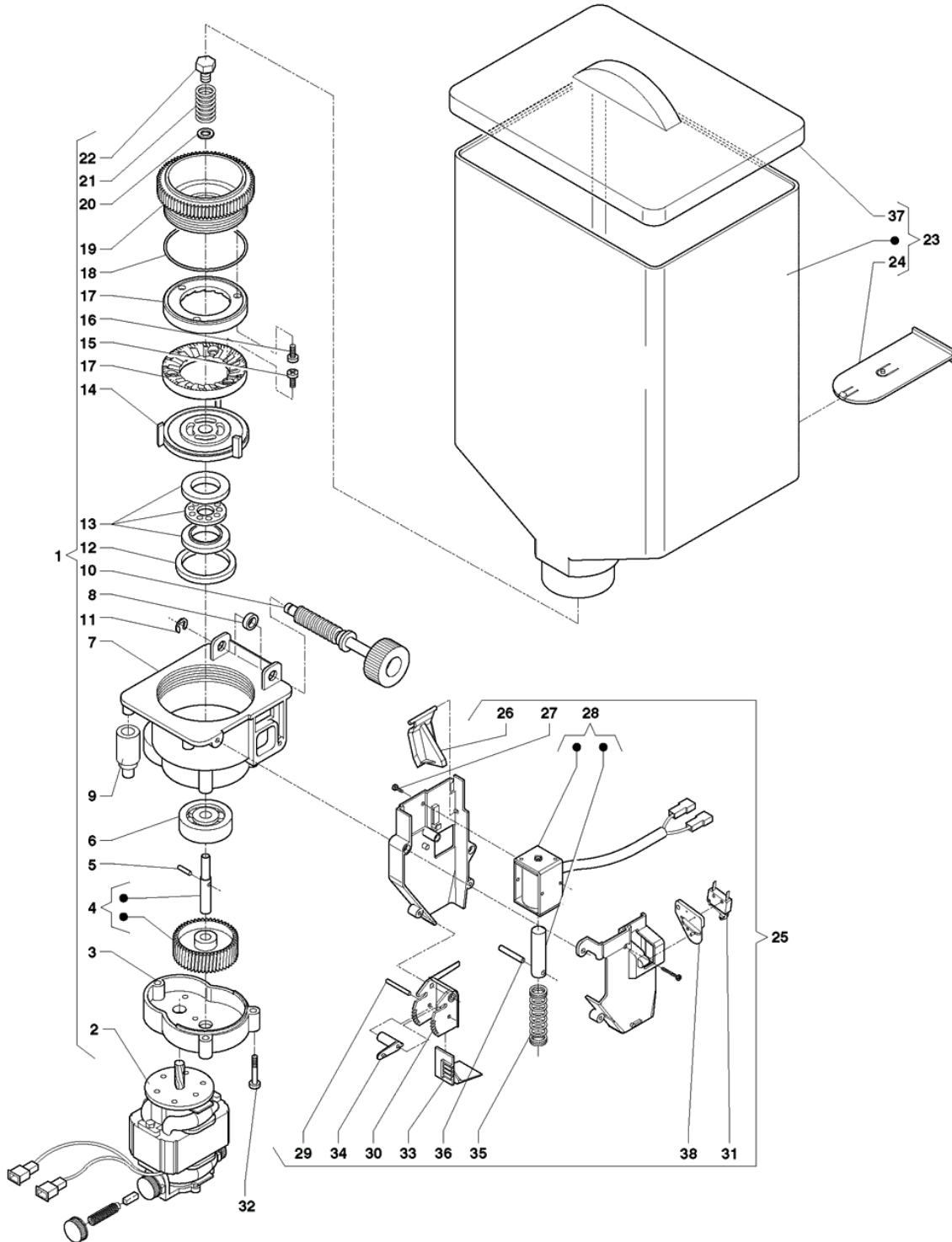
	Code	Description	Notes
1	099600	SUGAR/STIRRING BAR DISPENSER	
2	099601	STIRRING BAR PILLAR	
3	090203	STIRRER BAR WEIGHT L=95	
4	098631	CHUTE FOR STIRRING	
5	091959	BENZING COLLAR DIAM MM4	
6	099602	SPRING	
7	099610	LEVER	
8	098352	STIRRING BARS EJECTING PIN	
9	098853	PASS-WIRE	
10	099607	BODY	
11	098356	SUGAR PIPE	
12	098719	PVC PIPE 14X19(A METER)	
13	099721	SUGAR NOZZLE	
14	099616	SPRING	
15	099605	ROD	
16	099604	ROLLER	
17	099606	CAM	
18	096355	MICRO SWITCH -UL -	
19	099608	SUPPORT	
20	0V2949	SUGAR SPOUT PIN	
21	096904	ELASTIC PLUG 1.5X8	
22	099397	MOTOR REDUCTOR 6G/1 MIN.	
23	099609	COVER	
24	099720	STIRRER BAR WEIGHT L=105	
25	0V0606	ELBOW	
26	0V0898	SUGAR/STIRRER DISPENSER -105 MM	SWITZERLAND VERSION
27	0V3022	STIRRER CHUTE	
28	099887	STIRRING BAR PILLAR 105 MM	SWITZERLAND VERSION
29	0V0899	STIRRER DISPENSER 105 MM	
30	0V0885	SUGAR-DISTRIBUTOR BRACKET	
31	0V1158	STIRRER STACK PROTECTION 'SPAZIO'	
32	251633	STIRRING BAR PILLAR 105 MM	
33	099716	STIRRING BAR DISPENSER	INSTANT VERSION
34	099719	STIRRING-BAR PILLAR	INSTANT VERSION



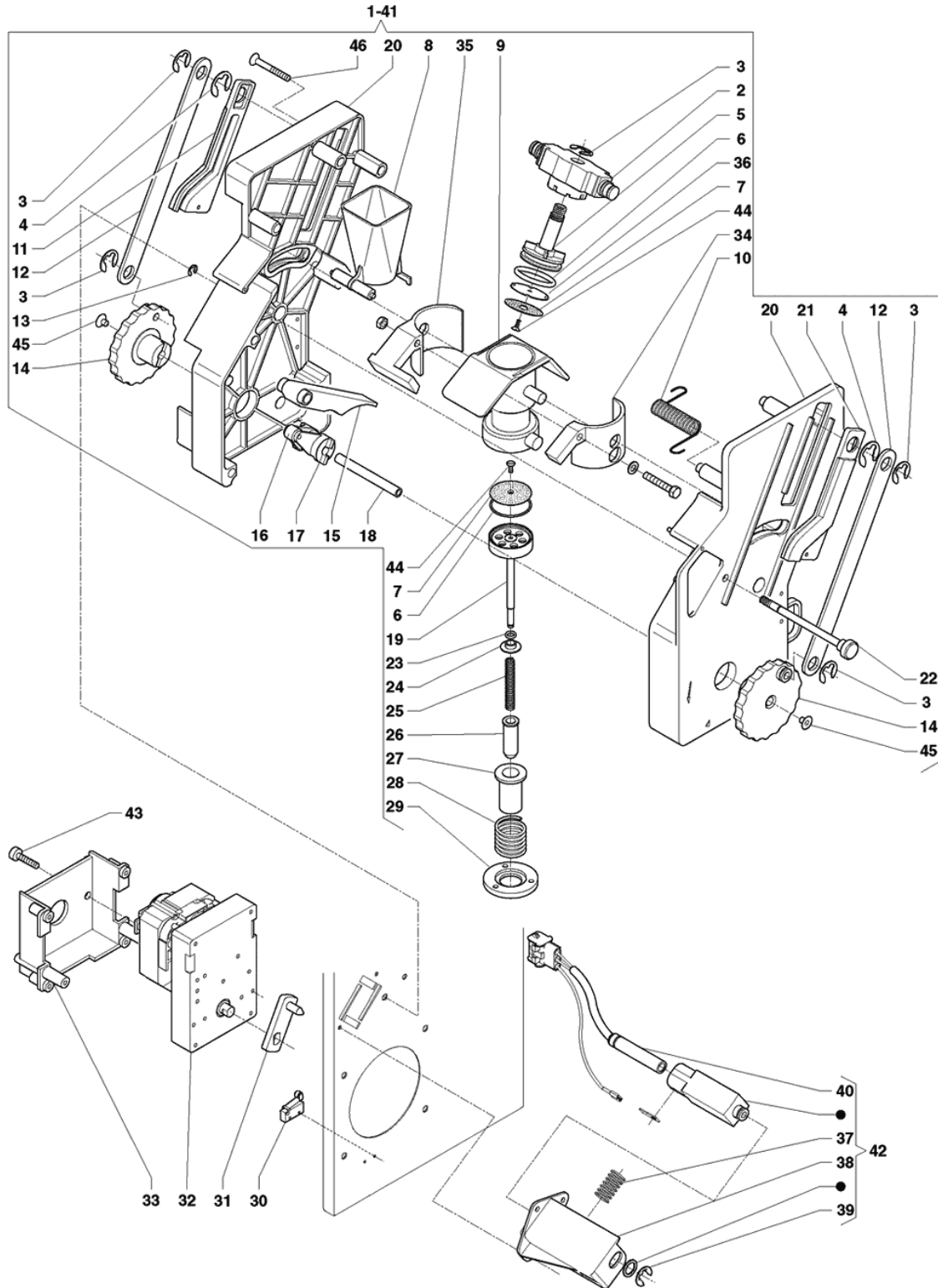
	Code	Description	Notes
1	0V2173	NORMAL AUGER CONTAINER	
2	0V2175	LONG AUGER CONTAINER+BEATER	
3	099494	CANISTER-BEATER	
4	099652	NOZZLES MOVING	
5	094069	BASIN	
6	094070	BASIN FASTENING SPRING	
7	094066	GRATE	
8	094067	DISK	
9	094068	REAR FASTENING PIVOT	
10	097953	POINTED NOZZLE	
11	094061	GRATE FASTENING BRACKET	
12	094060	BACKPLATE NECK	
13	097511	SILICONE HOSE 6X9 BROWN	
14	250734	LEFT MIXER SUPPORT	
15	0V4153	RIGHT MIXER SUPPORT	
16	097923	COIL FOR TEA	
17	097520	POWDER INLET FUNNEL BROWN	
18	098191	WATER-FUNNEL CUT	
19	097913	ELBOW FOR MIXER	
20	097914	COFFEE CHOKE	
21	097912	CONVEYOR FOR MIXER	
22	097916	MIXER VENTILATOR	
23	097917	BUSH SEAL	
24	099880	GASKET	
25	094540	GASKET O-RING 3125	
26	097911	FLANGE FOR MIXER	
27	098067	SUPPORT FOR INSTANT NOZZLES	
28	099329	FUNNEL NOZZLE D. 3.4	
29	099330	POWDERS DRAWER	
30	099331	DRAWER LID	
31	096868	SQUARE STRAIGHT PIPETTE	SWITZERLAND VERSION
32	099334	POWDERS CANISTER	
33	099803	LONG CONVEYOR COVER	
34	098813	LEFT CONVEYOR L=55	
35	098939	ROUND STRAIGHT PIPETTE	
36	097502	NAMEPLATE GROUP CONTAINER INSTANT P	
37	0V2048	POWDER CONTAINER LID	
38	099442	SPRING	
39	098812	SPACER	
40	095936	WHEEL	
41	0V0605	NOZZLE SUPPORT	
42	091959	BENZING COLLAR DIAM MM4	
43	0V1962	PIN FOR WHEEL	
44	095829	GASKET O-RING	
45	095849	CONTAINER RING NUT	
46	098608	LONG SCROLL	

	Code	Description	Notes	
	47	099332	MOTORDOSER (65 REVOLUTIONS)	FOR MILK - CHOCOLATE-UNTIL SERIAL NUMBER
50600867	47	251918	65 RPM 230V REDUCTION GERMOTOR	FROM SERIAL NUMBER 50600868
	48	098703	VENTILATOR PIPE CONNECTION D38	
	49	096459	HOSE DIAM 32	
	50	098808	MOTORMIXER	
	51	098728	PIPES-SUPPORT	
	52	099643	COLLAR	
	53	099642	RUBBER HOLDER	
	54	098583	ELECTROVENTILATOR	
	55	098806	SQUARE SUPPORT VENTILATOR	
	56	093628	HOSE VIPLA TRANSPARENT DIAM MM 14X1	
	57	099637	CONTAINER	
	58	099695	CONTAINER - INSTANT -	INSTANT VERSION
	59	099617	MOTOREDUCER 12G/1 MIN.	
	60	096904	ELASTIC PLUG 1.5X8	
	61	099541	ROD	
	62	099635	ROLLER	
	63	099540	CAM	
	64	0V1931	MICROSWITCH 'UL'	
	65	090681	INSULATING DISK	
	66	090021	WHIPPING DIAM 10.5 MM	
	67	096653	ANTITEAR WHIPPING	
	68	093937	CONTAINER WHEEL PIVOT 6500	
	69	099632	STOPPING	
	70	093754	BENZING COLLAR QUICKBLOCK BQ DIAM MM	
	71	098715	MOTORDOSER 45 G.	FOR SUGAR-UNTIL SERIAL NUMBER 50600867
	72	098609	SCROLL	
	73	098165	WIRE-FIXING	
	74	099102	RIGHT POWDERS CONVEYOR	INSTANT VERSION
	75	251295	COIL UNION FOR TEA	
	76	099184	CUP POSITIONING PIN	GERMAN VERSION
	77	099183	OPENING REAR PART (D)	GERMAN VERSION
	78	0V0906	CATADIOPTRIC PLATE	GERMAN VERSION
	79	0V2177	NORMAL AUGER CONTAINER+BEATER	GERMAN VERSION
	80	099889	DISK	
	81	097922	NOZZLE	
	82	099466	LID FOR CONTAINER	
	83	099373	SHELF PIN	
	84	0V0606	ELBOW	
	85	098719	PVC PIPE 14X19(A METER)	
	86	0V1604	POWDER OUTLET TUBE	
	87	094159	FIXING PLUG	
	88	094026	FEMALE CLIP	
	89	0V1359	COFFEE DISPENSING SPOUT	
	90	0V2174	LONG AUGER CONTAINER	
	91	099333	MOTORDOSER (45 REVOLUTIONS)	FOR COFFEE-TEA-UNTIL SERIAL NUMBER 50600867

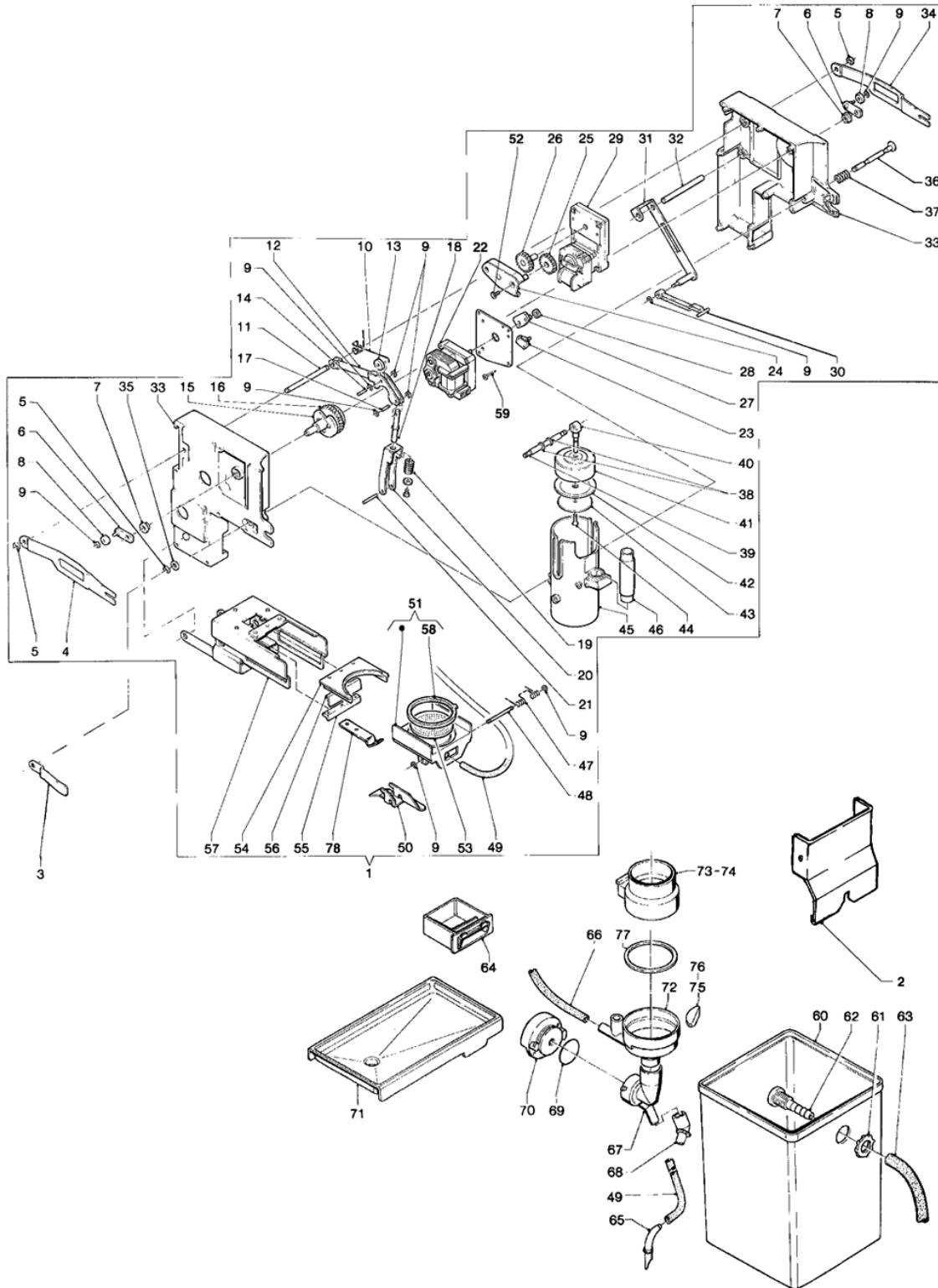
	Code	Description	Notes
91	251917	45 RPM 230V REDUCTION GEARMOTOR	FROM SERIAL NUMBER 50600868
92	251221	CANISTER SUPPORT	
93	097523	DEFLECTOR RING MIXER BROWN	
94	099655	WIRING	
95	0V3826	SPOUT COVERING	
96	094642	TREFOIL SCREW TE M4X10	
97	0V3827	LOWER COVER	
98	0V2926	CONTAINER EXTENSION	
99	0V2927	CONTAINER EXTENSION COVER	
100	099922	CONTAINER WITH EXTENSION+BEATER	
101	099896	PROTECTION	
102	096863	PIVOT WASHER	
103	098807	MOTORDOSER 65 G.	
104	0V3549	POWDER PIPE SUPPORT	
105	0V2572	CONTAINER WITH EXTENSION+BEATER	
106	096867	DIAPHRAGM CONVEYOR	
107	097460	DIAPHRAGM CONVEYOR SPRING	
108	0V2925	STANDARD AUGER CONTAINER WITHOUT WHEEL	
109	0V2228	BLACK GRATE	
110	095740	POWDER CONVEYOR SX	TURKEY VERSION
111	097519	WATER FUNNEL NOT ADJUSTABLE BROWN	"INSTANT" UK VERSION
112	097522	WATER FUNNEL DEFLECTOR BROWN	"INSTANT" UK VERSION
113	098070	POWDER-FUNNEL CUT	"INSTANT" UK VERSION
114	250898	POWDER FUNNEL	
115	099727	STOPPER	
116	093222	ANTITEAR WHIPPING	



	Code	Description	Notes
1	099336	GRINDER	
2	099732	GRINDER MOTOR	
3	099468	SUPPORT	
4	099470	SHAFT WHEEL	
5	098293	ELASTIC PLUG	
6	095803	RADIAL BEARING	
7	099469	CAP	
8	099457	WASHER	
9	099484	LITTLE RUBBER	
10	099474	REGULATION SCREW	
11	093171	OUTER FIXING COLLAR DIAM MM6	
12	093271	COFFEE JUNK RING	
13	093187	THRUST BEARING	
14	095802	GRINDER HOLDER IMPELLER	
15	255032	TREFOIL SCREW M4X10	
16	255033	SELF-TAPPING SCREW 4X10	
17	095840	GRINDER	
18	095805	GASKET O-RING	
19	099473	GRINDER HOLDER	
20	096988	WASHER	
21	099471	SPRING	
22	099472	LEFT SCREW	
23	099726	COFFEE-CANISTER COMPLETE	
24	098630	ROLL-UP FOR CONTAINER	
25	099337	COFFEE DOSER	
26	099475	ACTUATOR	
27	092657	CLOSS SLOT SCREW 3X6TC	
28	098716	ELECTROMAGNET 220V	
29	098822	PIN FOR LEVER	
30	098642	SHUTTER COFFEE-DOSER	
31	0V2131	BURGESS MICRO-SWITCH	
32	255031	SELF-TAPPING SCREW 4.2X26	
33	098643	RULE COFFEE-DOSES	
34	098644	LEVER FOR RULE	
35	098696	SPRING DOSER ELECTROMAGNET	
36	093832	ROD PIVOT	
37	0V1357	CONTAINER COVER	
38	0V2082	ADAPTER PLATE	

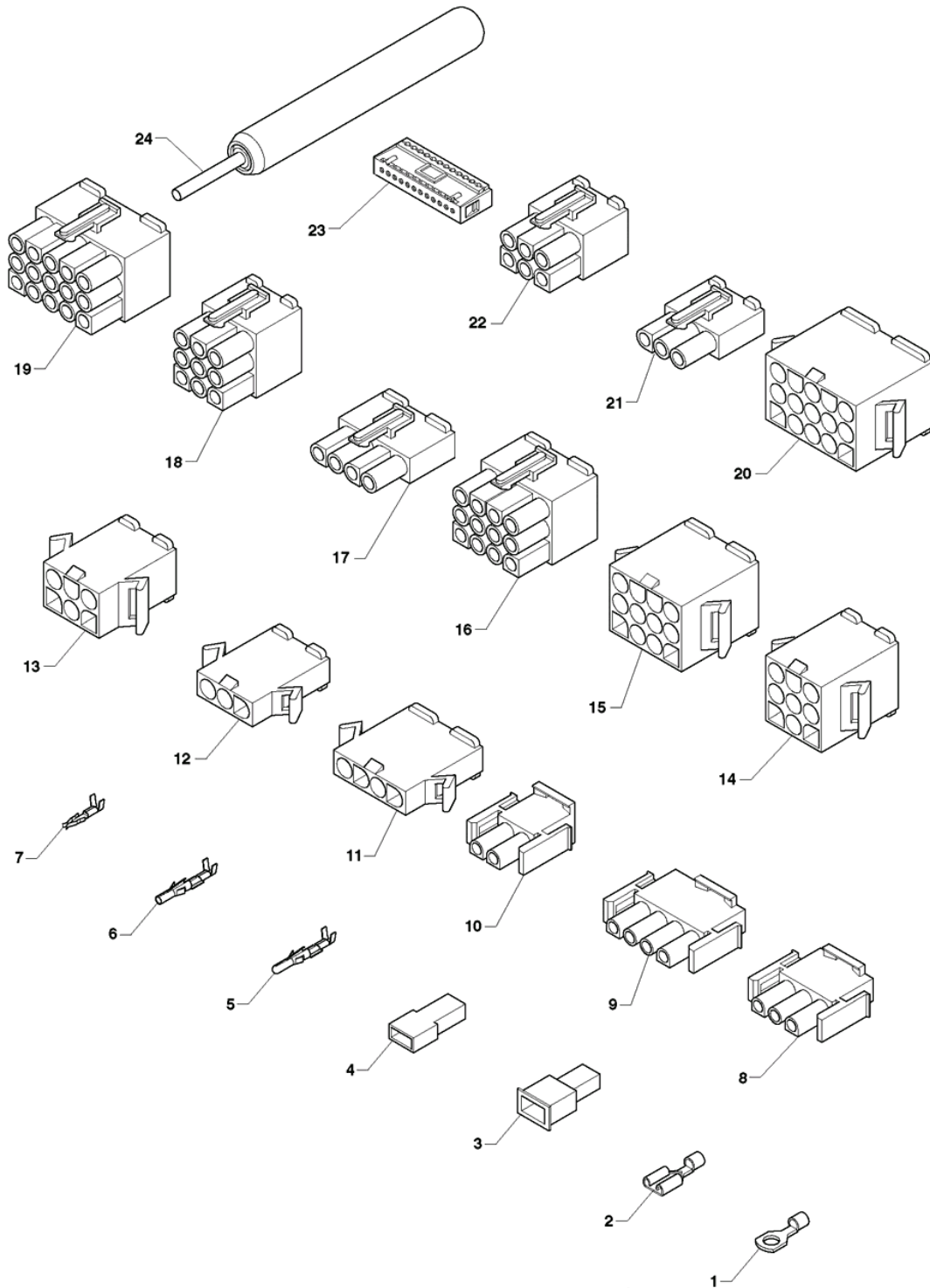


	Code	Description	Notes
1	252506	Z3000 WITH HEATER(OPEN DURING STAND-BY POSITION)	
2	098568	CROSS-BAR	
3	092717	FIXING COLLAR DIAM MM10	
4	096569	FIXING COLLAR DIAM 12	
5	098577	UPPER PISTON	
6	093167	SILICONE GASKET OR 4118 .	
7	098687	COFFEE FILTER	
8	098570	COFFEE CHUTE	
9	0V1715	BREWING CHAMBER W/PLUG	
10	098920	SCRAPER	
11	098571	REAR SLEDGE	
12	098565	TRACE FOR PISTON COMMAND	
13	098818	STOPPING RING D.4	
14	098573	CRANK	
15	098575	OSCILLATING LEVER	
16	098692	ROTATING LEVER ROLL	
17	098574	ROTATING LEVER	
18	098693	ROD CRANK BLOCKING	
19	099490	LOWER PISTON	
20	0V1714	FRONT AND REAR SHOULDER	
21	098572	FRONT SLEDGE	
22	098694	ROD WITH KNURL	
23	090421	GASKET OR 2025	
24	098690	CONTROL BUSH	
25	098688	PISTON RETURN SPRING	
26	098691	LOWER PISTON GUIDE	
27	098567	LID FOR SPRING	
28	098689	PREINFUSION SPRING	
29	098569	FLANGE FOR SPRING	
30	096355	MICRO SWITCH -UL -	
31	098763	CRANK WITH PIN	
32	098708	MOTOREDUCER	
33	098566	MOTOREDUCER SUPPORT	
34	0V1784	FRONT PANEL	
35	0V1785	REAR PANEL	
36	0V1789	WATER DEFLECTOR	
37	0V1788	CONTACT SPRING	
38	0V1787	SUPPORT	
39	987948	LOCKING WASHER	
40	0V1786	25 WATT 110/265 V RESISTOR	
41	251687	COFFEE-GROUP Z3000	
42	0V1783	Z2000M HEATER WITH SUPPORT	
43	096097	SCREW	
44	255047	SCREW M3X10 -INOX-	
45	0V3889	SCREW 6X14	
46	255031	SELF-TAPPING SCREW 4.2X26	



	Code	Description	Notes
1	099907	FRESH BREW GROUP 'TEA'	
2	0V3409	II F.B. UNIT LOWER SUPPORT	
3	0V0166	LEVER	
4	099945	LEVER 'LEFT'	
5	093171	OUTER FIXING COLLAR DIAM MM6	
6	099950	CRANK	
7	099947	BUSH	
8	099951	BEARING	
9	098818	STOPPING RING D.4	
10	0V0275	SPRING	
11	099944	PIN	
12	099956	LEVER	
13	099957	BEARING	
14	099958	PIN FOR BEARING	
15	099949	CAM	
16	099948	DRIVING SHAFT	
17	099959	PIN FOR LEVER	
18	099960	ROD	
19	099962	SPRING	
20	099961	GUY	
21	0V2375	PIN	
22	099970	MOTOREDUCER	
23	096355	MICRO SWITCH -UL -	
24	099955	GEAR SUPPORT	
25	099954	WHEEL	
26	099953	SHAFT WITH WHEEL	
27	099971	CRANK WITH PIN	
28	099972	ROLLER	
29	0V0607	REDUCTION GEAR MOTOR	
30	099969	ROD	
31	099968	LINK-BLOCK	
32	090203	STIRRER BAR WEIGHT L=95	
33	099935	SHOULDER 'RIGHT AND LEFT'	
34	099946	LEVER 'RIGHT'	
35	096988	WASHER	
36	099940	PIN	
37	099941	SPRING	
38	987948	LOCKING WASHER	
39	099938	PIN	
40	099937	PISTON ROD	
41	098525	PISTON F.B.	
42	098444	PISTON GASKET	
43	098614	PISTON-BOTTOM	
44	093469	SCREW BRASS TSP M5X16	
45	099939	INFUSION CHAMBRE	
46	0V0543	FRESH-BREW EXTENSION	

	Code	Description	Notes
47	0V0177	SPRING	
48	099966	PIN FOR SPRING	
49	097511	SILICONE HOSE 6X9 BROWN	
50	0V0176	LEVER	
51	250559	F.B. FILTER HOLDER COMPLETE	
52	255033	SELF-TAPPING SCREW 4X10	
53	250996	TEA FILTER	
54	099974	SPATULA-HOLDER	
55	099976	DOLLY BLOCK	
56	099975	SPATULA	
57	099973	SLEDGE	
58	250560	GASKET-FILTER HOLDER	
59	096097	SCREW	
60	0V0342	BUCKET (2TH FRESH-BREW)	
61	099643	COLLAR	
62	099642	RUBBER HOLDER	
63	093628	HOSE VIPLA TRANSPARENT DIAM MM 14X1	
64	099330	POWDERS DRAWER	
65	097953	POINTED NOZZLE	
66	097510	SILICONE HOSE 5X9 BROWN	
67	097912	CONVEYOR FOR MIXER	
68	097913	ELBOW FOR MIXER	
69	094540	GASKET O-RING 3125	
70	097911	FLANGE FOR MIXER	
71	0V0896	MIXER TRAY	
72	098188	WATER-FUNNEL WITHOUT ADJUSTMENT F.B.	
73	097971	POWDER FUNNEL BROWN	
74	097520	POWDER INLET FUNNEL BROWN	
75	096926	WATER FUNNEL DEFLECTOR	
76	098187	DEFLECTOR BROWN F.B.	
77	097524	DEFLECTOR RING CUT BROWN	
78	0V1895	FIXING PLATE	



	Code	Description	Notes
1	090957	EYELET TERMINAL	
2	090959	FASTON W/O TONGUE	
3	091192	FASTON COVER	
4	090247	FEMALE FASTON COVER	
5	095955	TERMINAL MALE	
6	096136	TERMINAL FEMALE	
7	094405	TERMINAL FEMALE 2.5	
8	094954	FEMALE HOLDER CONNECTOR 3-WAYS	
9	098062	4-WAY CONNECTOR MATE-N-LOK AMP	
10	094955	FEMALE HOLDER CONNECTOR 2-WAYS	
11	0V0809	4-PIN CONNECTOR/P MOLEX 3191	
12	0V0808	3-PIN CONNECTOR/P MOLEX 3191	
13	0V0810	6-PIN CONNECTOR/P MOLEX 3191	
14	0V0811	9-PIN CONNECTOR/P MOLEX 3191	
15	0V0812	12-PIN CONNECTOR/P MOLEX 3191	
16	0V0818	12-PIN CONNECTOR/P MOLEX 3191	
17	0V0815	4-PIN CONNECTOR/P MOLEX 3191	
18	0V0817	9-PIN CONNECTOR/P MOLEX 3191	
19	0V0819	15-PIN CONNECTOR/P MOLEX 3191	
20	0V0813	15-PIN CONNECTOR/P MOLEX 3191	
21	0V0814	3-PIN CONNECTOR/P MOLEX 3191	
22	0V0816	6-PIN CONNECTOR/P MOLEX 3191	
23	094961	FEMALE HOLDER CONNECTOR P.I. 12-W	
24	0V0820	MOLEX CONTACT PULLER	