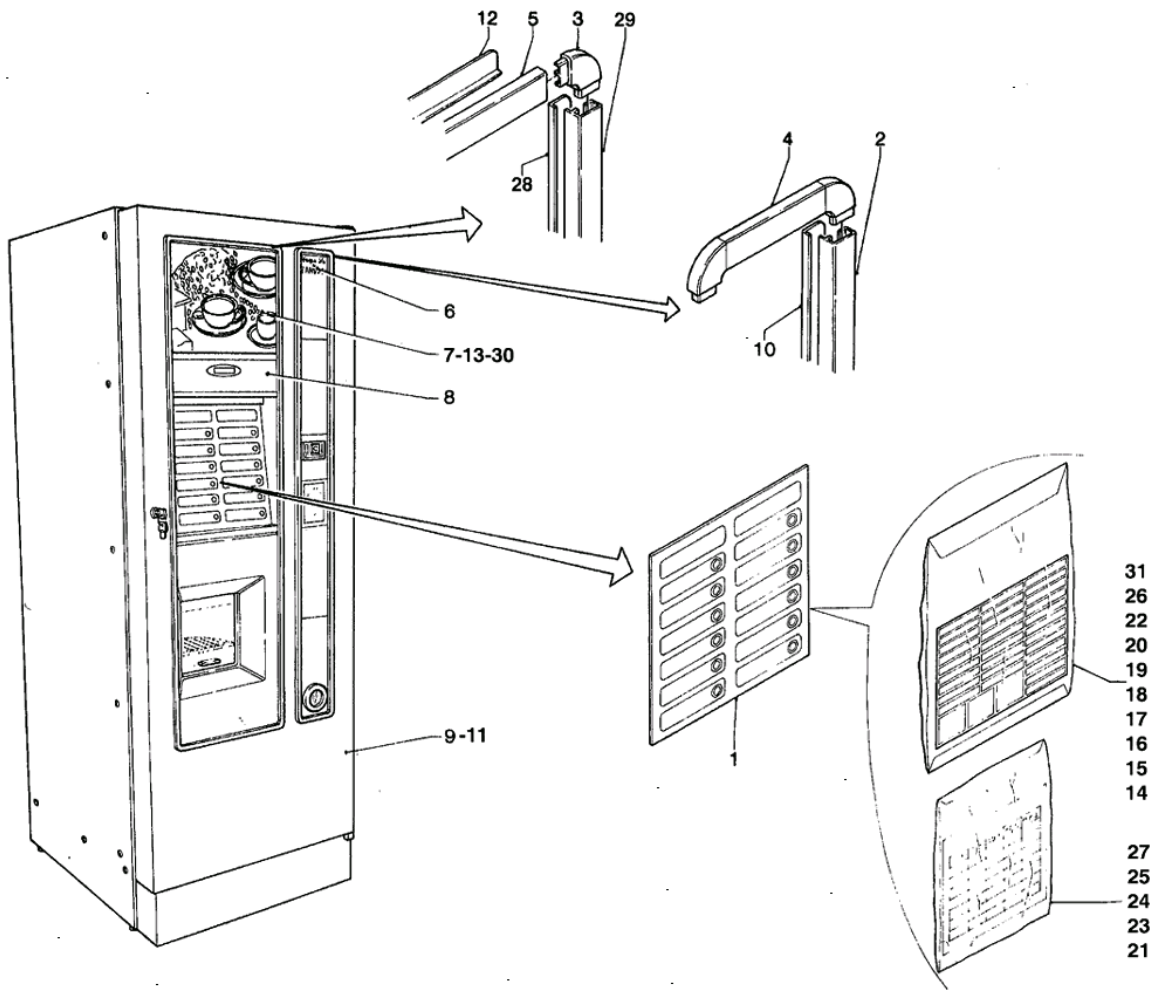
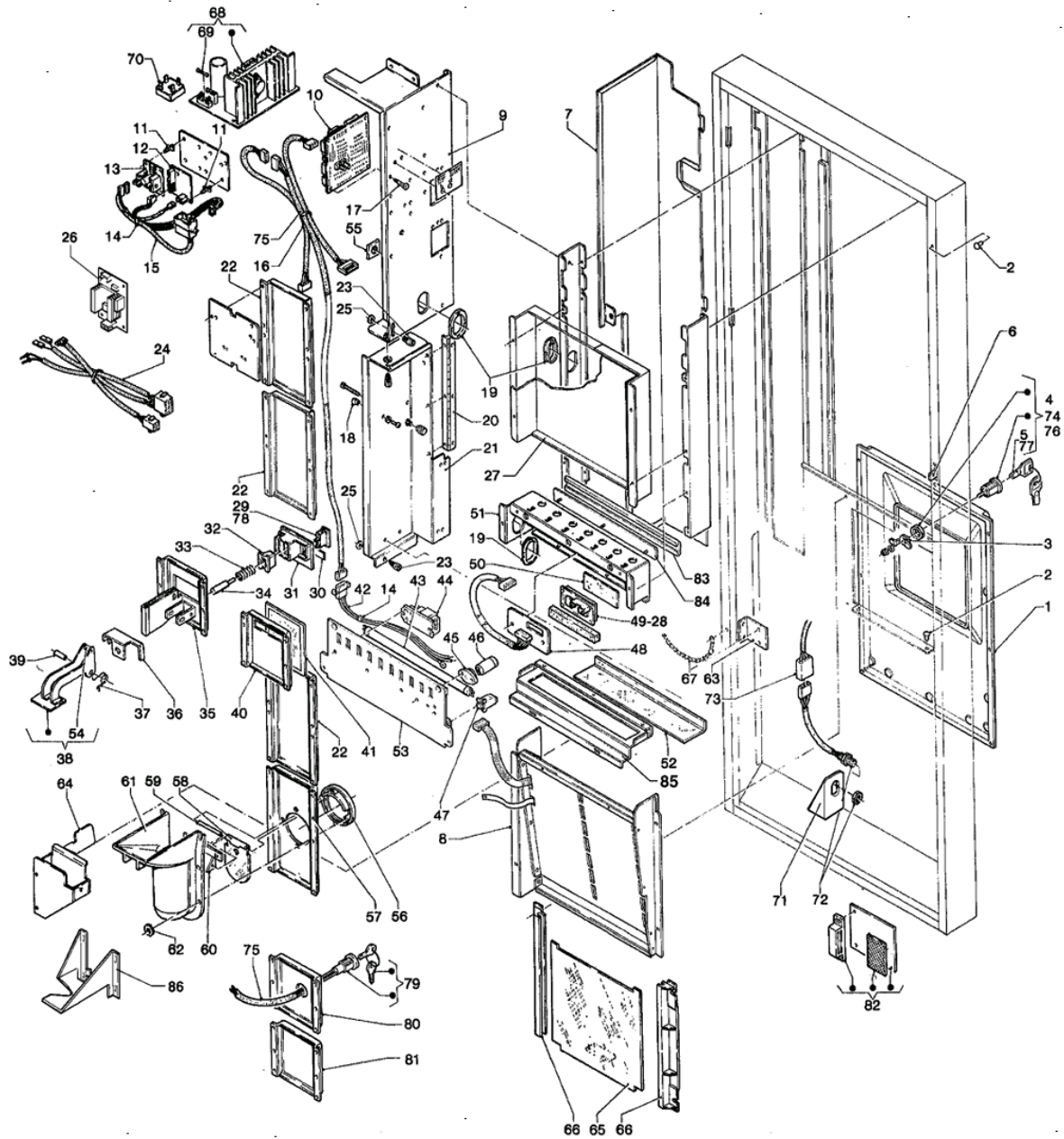


# VENEZIA LX - ESPRESSO - INSTANT - 220 VOLT - 50 HZ





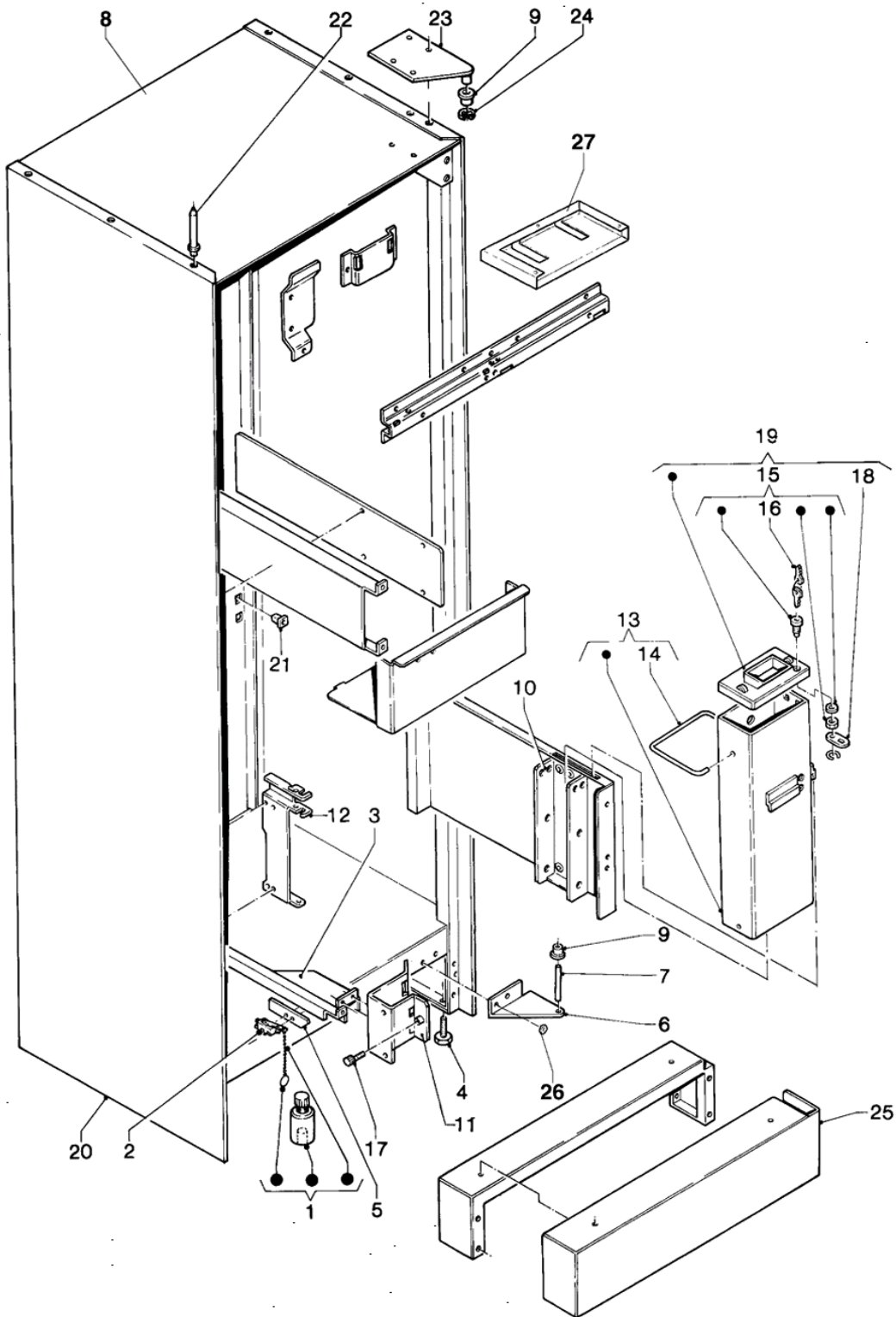
<b>Code</b>	<b>Description</b>	<b>Notes</b>	
1	0V0629	MEMBRANE-TYPE PUSH-BUTTON PANEL	
2	098992	VERTICAL PROFILE	
3	098995	PROFILES UNION	
4	099804	FRAME	
5	099580	HORIZONTAL PROFIL	
6	0V0621	LOGO PLATE VENEZIA LX.	
7	0V0618	PHOTOGRAPHIC PANEL	
8	0V0619	INFORMATION SUPPORT	
9	0V0912	DOOR ASSEMBLED ON 'VENEZIA LX'	
10	099427	VERTICAL PROFILE SUPPORT	}
11	0V1568	VENEZIA LX DOOR	
12	099578	SUPPORT	
13	0V1811	PHOTOGRAPHIC PANEL 'SELECTA'	
14	0V0622	PRODUCT PLATE -ITALY-	
15	099678	PLATE	SWITZERLAND VERSION
16	0V0692	PRODUCT TAGS	GERMAN VERSION
17	0V0691	PRODUCT TAGS	UK VERSIONS
18	0V0690	PRODUCT TAGS	SPANISH VERSION
19	0V0802	'PORTUGAL' PRODUCT TAGS	BRAZIL VERSION
20	0V0689	PRODUCT TAGS	FRENCH VERSION
21	0V3368	PRICE PLATE - EURO 0.05-	
22	0V1082	PRODUCT LABEL '2' FRANCE	
23	099253	PRICE LABELS 'UK' N°1	
24	099242	PRICE-LABEL 'UK' N°2	
25	250014	INSTRUCTION PLATE 'EURO'	
26	0V2635	PRODUCT LABELS -D- SELECTA	
27	099144	PRICES LABEL (F)	
28	0V1758	VERTICAL PROFILE SUPPORT	
29	0V1362	VERTICAL PROFILE	
30	0V3428	PHOTOGRAPHIC PANEL - GNAIGER	
31	0V3429	PRODUCT LABELS - GNAIGER	



---

	<b>Code</b>	<b>Description</b>	<b>Notes</b>
1	0V1356	DISPENSING OPENING	
2	098833	BUFFER	
3	0V0506	LATCH	
4	098303	LOCK TYPE 'N'	
5	098463	PASSPARTOUT -ROUND LOCK-	
6	098755	MICRO ACTIVATOR	
7	0V0610	COIN MECH COVER	
8	0V0880	PUSH-BUTTON PANEL SUPPORT	
9	0V0611	COIN MECH OBOX	
10	0V1371	USER INTERFACE CARD	
11	093984	GUIDE SPACER	
12	098936	COIN-MECH.-BOARD EXECUTIVE	
13	098943	STABILIZER BOARD 24V	
14	090148	CLIP	
15	099370	COIN VERIFIER WIRING	
16	0V0626	DOOR WIRING	
17	097175	CARD SPACER	
18	098874	RATCHET M3	
19	093916	WHIPPING OVAL	
20	0V0631	HINGE	
21	0V0609	COIN MECH FASTENING PLATE	
22	252877	GREY DOUBLE ELEMENT	
23	096977	KNURL	
24	250566	EXECUTIVE WIRING VEN.LX	
25	092161	WASHER MM 6.4X130.6	
26	0V2713	13 V. 1 AMP ADJUSTMENT BOARD	
27	0V3385	PHOTOGRAPHIC PANEL SUPPORT	
28	251657	DISPLAY 1X16 BLUE-CIRILLICO-	
29	095890	LUMINOUS INDICATOR ORANGE	
30	098658	PLATE FOR CHANGE	
31	097394	MONEY RETURN BADGE GREY	
32	097395	MONEY RETURN BUTTON GREY	
33	093870	BUTTON SPRING	
34	095965	SELECTOR LEVER OPENING EFFECTER	
35	0V0632	COIN INSERT PIECE	
36	099008	TEMPLATE FIXING BRACKET	
37	094194	ARM RECOVERY SPRING	
38	097351	OPENING LEVER SELECTOR ASSEMBLY	
39	097352	OPENING LEVER PIVOT SELECTOR	
40	097321	INFORMATION ELEMENT	
41	097322	INFORMATION PANEL SUPPORT	
42	099656	WIRING	
43	097266	LIGHT TYPE TL 8 W	
44	097268	INDUCTOR TYPE BPL	
45	091799	STARTER HOLDER	
46	091802	STARTER TYPE S10	

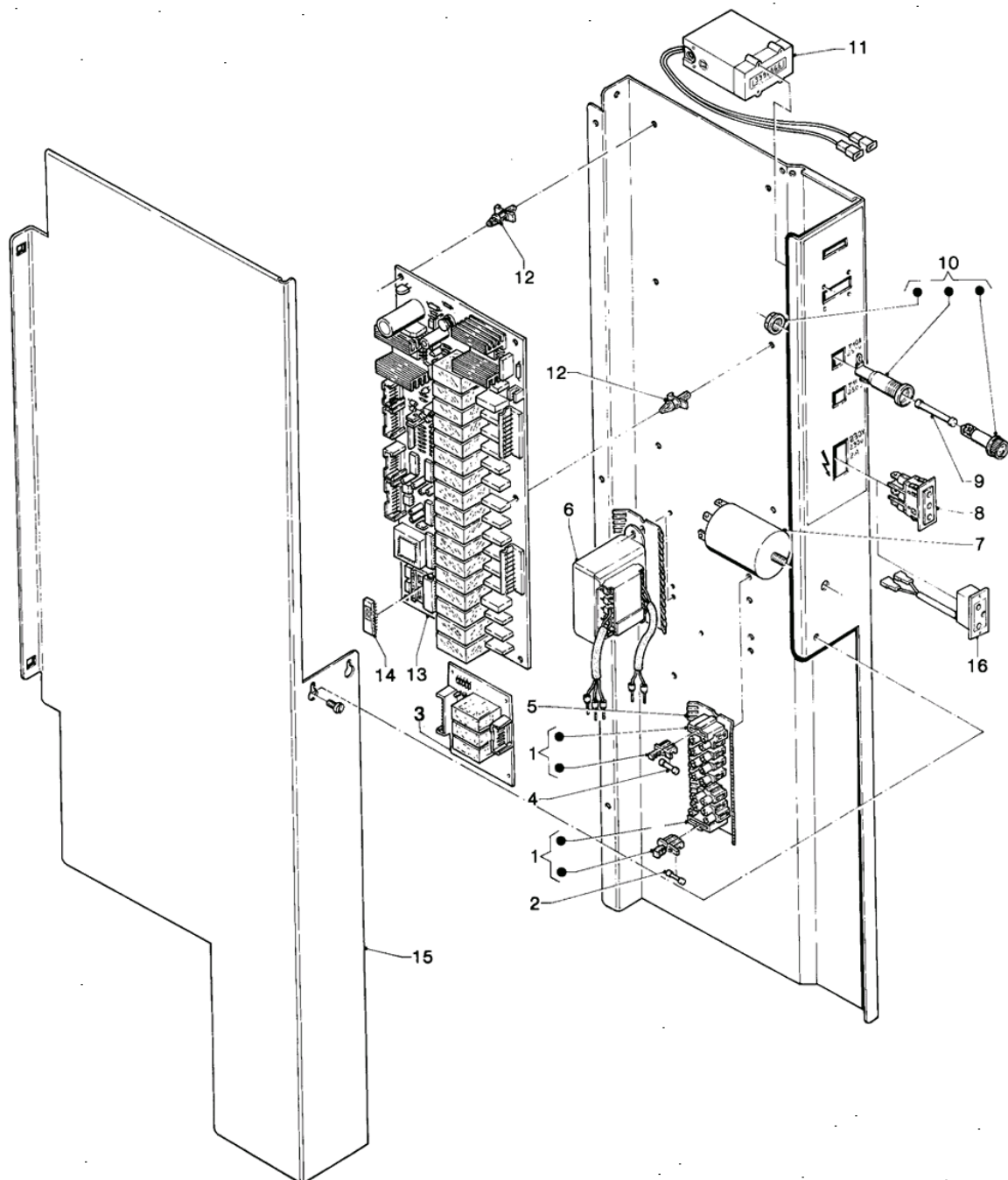
	<b>Code</b>	<b>Description</b>	<b>Notes</b>
47	097267	LAMP HOLDER TYPE G5	
48	099638	PLATE	
49	251656	DISPLAY 1X16 BLUE	
50	099645	DISPLAY GLASS	
51	099592	DISPLAY BAND	
52	099583	MENU' GLASS	
53	099575	SUPPORT	
54	097728	ROLL	
55	094989	SELF-STICKING FIXING	
56	097140	MONEY RETURN FRAME (GREY)	
57	0V0630	COIN RETURN PIECE	
58	093890	MONEY RETURN SHUTTER	
59	093891	SHUTTER PIVOT	
60	097455	MONEY RETURN SHUTTER BRACKET	
61	0V1363	COIN CHUTE	
62	093829	LEVER LOCK CLIP	
63	0V0520	SQUARE PIECE	
64	0V0612	COIN CHUTE	
65	093888	CUP EXIT SHUTTER	
66	094482	SHUTTER GUIDE	
67	099663	DOOR STOP	
68	097808	FEEDING BOARD	SWITZ.-GEERMANY VERSION
69	097097	FUSE 2 AMP.5X20 DELAYED ACT	SWITZ.-GEERMANY VERSION
70	094900	DIODE BRIDGE	SWITZ.-GEERMANY VERSION
71	099677	SUPPORT	
72	099272	PHOTOELECTRIC CELL	SWITZ.-GEERMANY VERSION
73	250565	MDB - BDV WIRING VEN.LX	
74	099905	LOCK RIELDA	FRENCH VERSION
75	099924	JUG FACILITIES/FREE VEND WIRING	
76	099043	LOCK TYPE'N'PREFER	SWITZERLAND VERSION
77	096363	MAIN KEY TYPE 'N'	SWITZERLAND VERSION
78	099187	LUMINOUS INDICATOR	SWITZ.-GEERMANY VERSION
79	099743	FREE VEND SWITCH	
80	098126	JUG FACILITIES ELEMENT	
81	253106	GREY NEUTRAL ELEMENT	
82	099933	SUPPORT	SWITZERLAND VERSION
83	0V3383	PROFIL	
84	0V3384	PROFIL BRACKET	
85	0V3377	LOWER SUPPORT	
86	0V1360	COIN BOX PROTECTION 'VEN.LX-SPAZIO'	



---

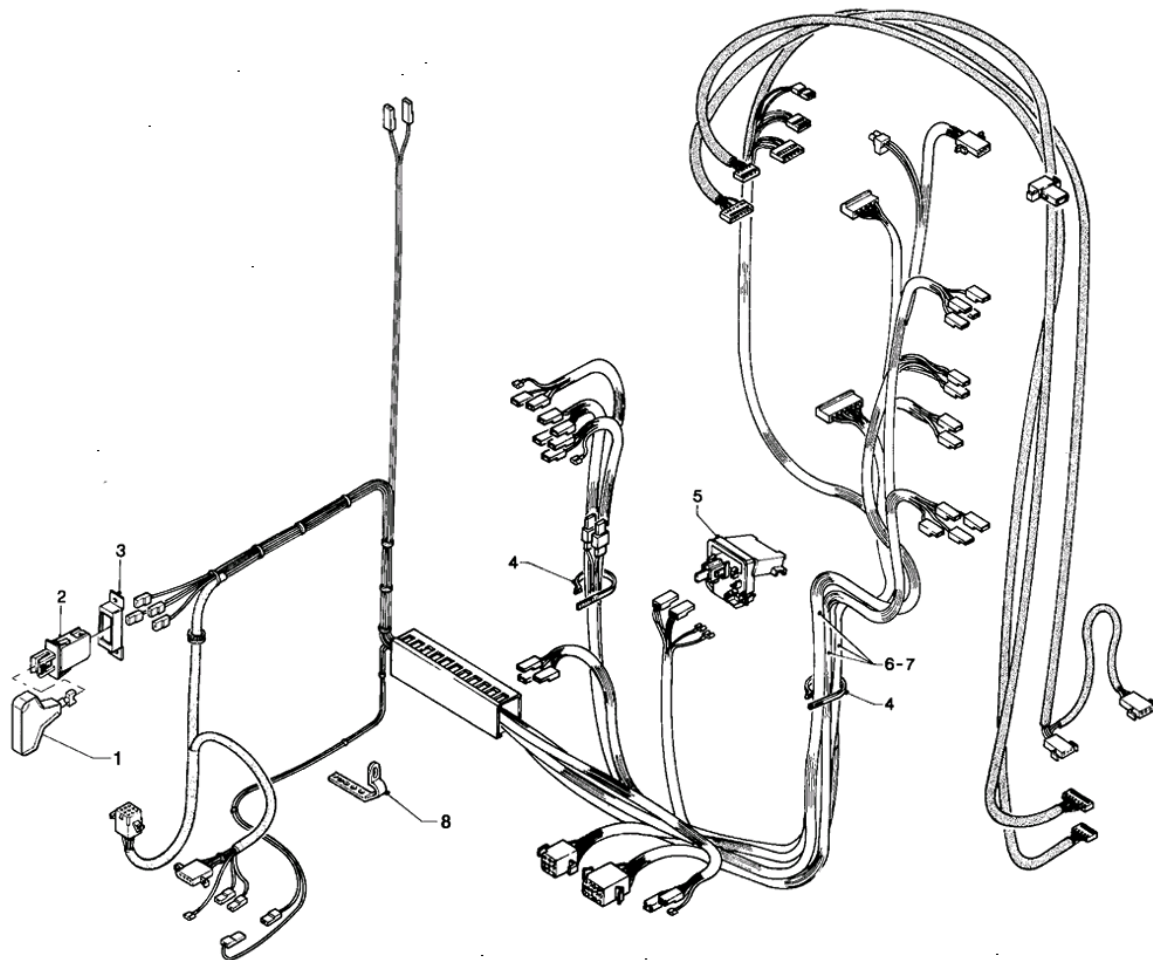
	<b>Code</b>	<b>Description</b>	<b>Notes</b>
1	094294	FLOAT	
2	093308	MICROSWITCH SERIE RLL/D	
3	098788	SUPPORT GROUNDS-MICRO	
4	096244	LITTLE FEET	
5	092761	INSULATING DISK	
6	099634	REINFORCEMENT FOR LOWER HINGE	
7	094576	CENTERING PLUG	
8	098787	UPPER PART FOR PIECE OF FURNITURE	
9	093886	HINGE BUSH	
10	099627	SUPPORT	
11	098753	SUPPORT DELIVERY OPENING	
12	0V0504	HINGE	
13	0V0540	COIN BOX	
14	098791	COIN-BOX HANDLE	
15	090861	CYLINDER LOCK TYPE K	
16	092218	PASSE-PARTOUT LOCK K	
17	096977	KNURL	
18	098551	BOLT	
19	099493	MONEY-BOX LID	
20	0V0633	CABINET	
21	094111	INSULATING DOLLY BLOCK	
22	098222	RIVET	
23	098440	UPPER HINGE	
24	093171	OUTER FIXING COLLAR DIAM MM6	
25	099766	COVERING	
26	096988	WASHER	
27	0V1937	DOCUMENTAZION PROTECTION	



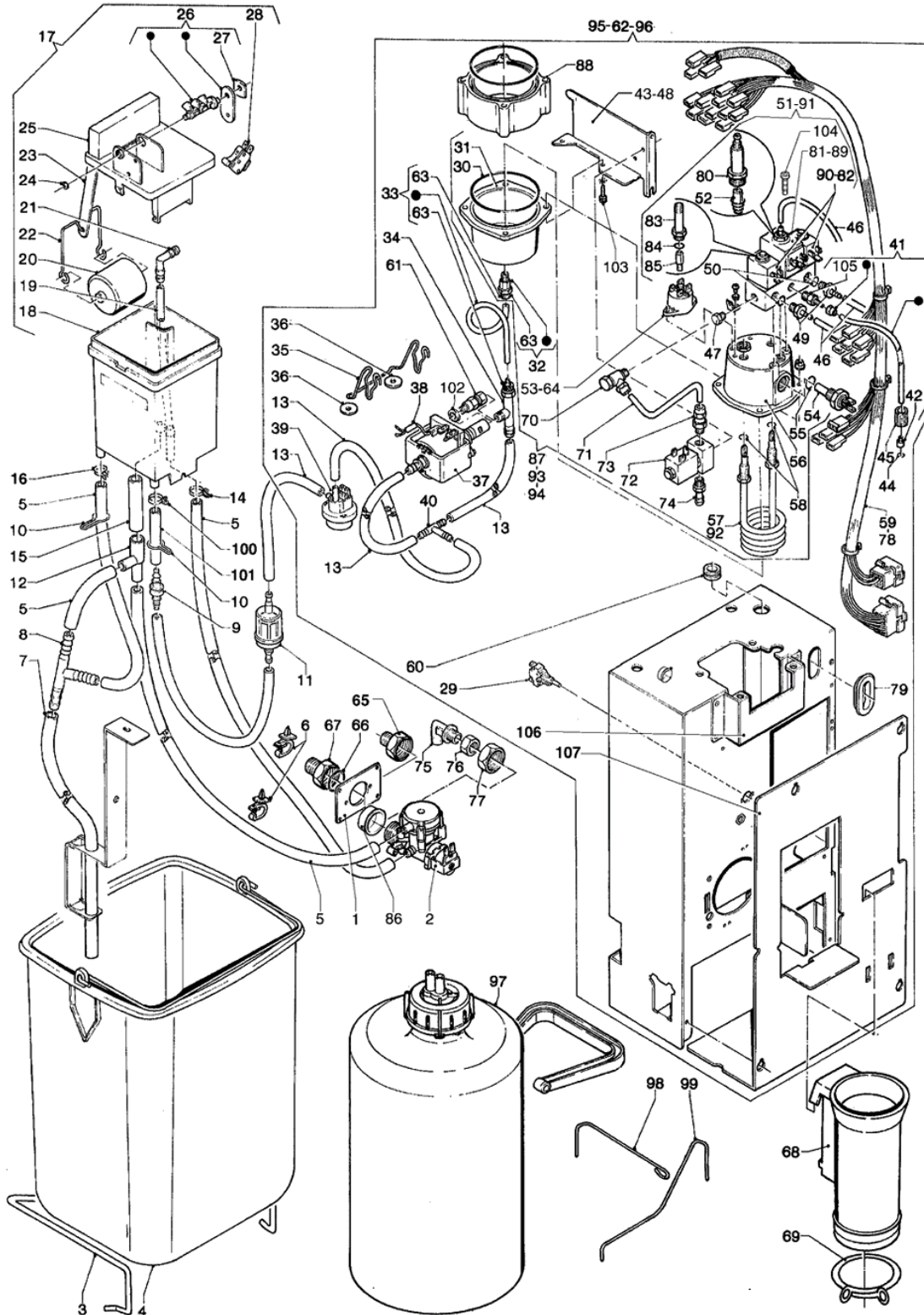


---

	<b>Code</b>	<b>Description</b>	<b>Notes</b>
1	097241	3-POLE TERMINAL BOARD W/CARRIER	
2	097097	FUSE 2 AMP.5X20 DELAYED ACT	
3	0V0748	3-RELAY EXPANSION CARD	
4	250425	FUSE T 250 MAMP 5X20	
5	097242	SUB-TERMINAL BOARD	
6	250420	TRASFORMER G40 230/15-24 VOLT	
7	0V3512	ELECTRICAL NET FILTER	
8	096921	POWER POINT 10 AMP	
9	094907	QUICK FUSE 10A	
10	098794	FUSE-HOLDER	
11	0V2470	WIRED SCALER 12 VOLT	
12	093984	GUIDE SPACER	
13	0V1960	CPU/REALISATION BOARD	
14	095004	EPROM 512K(TO BE PROGRAMMED)	
15	0V0542	PANEL COVER	
16	0V1621	SOCKET	



	<b>Code</b>	<b>Description</b>	<b>Notes</b>
1	0V1654	SWITCH KEY	
2	097796	SWITCH	
3	098797	SWITCH SUPPORT	
4	090148	CLIP	
5	098796	TERMINAL BOARD	
6	0V0627	MAIN WIRING	
7	0V0628	MAIN WIRING	INSTANT VERSION
8	091420	ADJUSTABLE COLLAR	



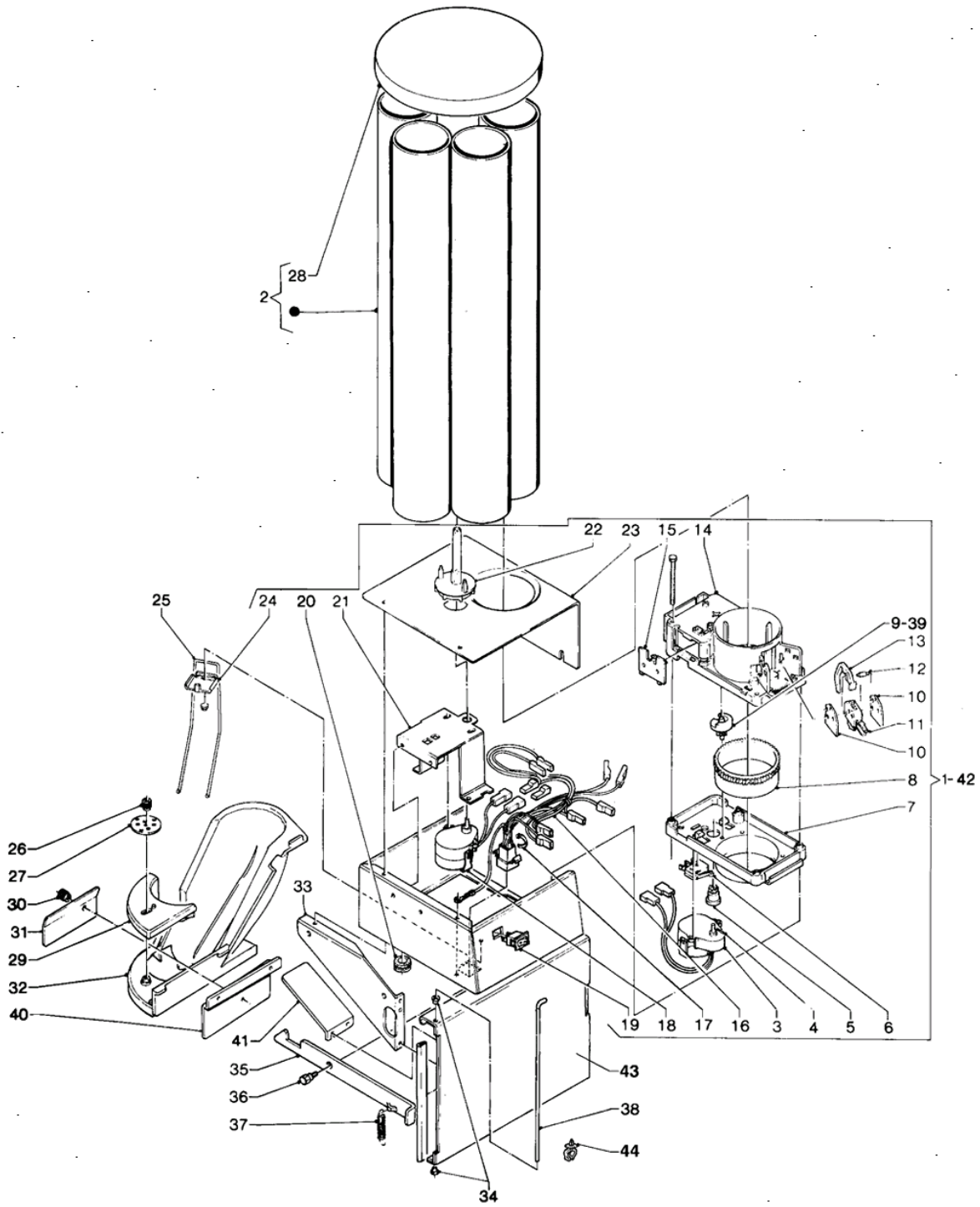
	<b>Code</b>	<b>Description</b>	<b>Notes</b>
1	098799	FIXING DISC	
2	097383	ELECTROVALVE WATER-INLET 220V-2.5L/MIN-	
3	095730	BUCKET FASTENER	
4	254569	BLUE GROUND BUCKET	
5	097512	SILICONE HOSE 6X12 BROWN	
6	098459	WIRE-CLIP	
7	093628	HOSE VIPLA TRANSPARENT DIAM MM 14X1	
8	096552	UNION T-SHAPE	
9	094140	RUBBER HOLDER UNION	
10	092703	TUBE CLAMP	
11	097435	WATER FILTER VOLUMETRIC COUNTER	
12	094185	CODENSE RECOVERY UNION	
13	097510	SILICONE HOSE 5X9 BROWN	
14	095515	HOSE CLIP DIAM 14	
15	097515	SILICONE HOSE 10X16 BROWN	
16	097122	HOSE CLIP	
17	098250	AIR-BREAK COMPLETE	
18	094115	AIR BREAK CASE	
19	094330	HOSE POLYTHENE MM 6X9	
20	094120	FLOAT	
21	094571	UNION 90 DEGREES	
22	094118	FLOAT ARM	
23	094119	CONNECTING ROAD	
24	091959	BENZING COLLAR DIAM MM4	
25	094116	AIR-BREAK LID	
26	094933	CONTROL DEVICE MICRO AIR-BREAK	
27	094128	GRIP CLIP	
28	0V1929	MICRO 'UL' FOR AIR-BREAK	
29	099619	PUSH BUTTON	
30	098701	GASKET	
31	098641	LOWER BOILER-COVER	
32	098758	STRAIGHT UNION	
33	0V2158	PUMP PIPE/COFFEE BOILER	
34	098764	BY-PASS PUMP (12 BAR)	
35	098697	PUMP SUPPORT	
36	093091	PUMP DAMPER	
37	098760	PUMP (VIBRATION)	
37	0V0465	PUMP 220V - 60 HZ	BRAZIL VERSION
38	098815	90 DEGREES THERMIC PROTECTION	
39	098707	VOLUMETRIC COUNTER	
40	094231	UNION T-SHAPE	
41	098709	PISTON-PIPE	
42	098711	BUSH PISTON PIPE	
43	0V1333	BOILER BRACKET	
44	094611	GASKET O-RING 2018	
45	098699	UNION FOR PISTON PIPE	

Code	Description	Notes	
46	097529	SILICONE HOSE 3X6 BROWN	
47	0V1600	CAP WITH O-RING	
48	0V0613	BOILER SQUARE PIECE	GERMAN VERSION
49	099012	RUBBERHOLDER UNION	
50	094594	GASKET O-RING 2031	
51	098761	2+3+2 WAYS ELECTROVALVES GROUP	
52	097472	3-WAY ELECTROVALVE NUCLEUS -VITON-	
53	0V1318	125 DEGR. THERMOSTAT	
54	094872	BOILER TEMPERATURE PROBE	
55	095624	GASKET O-RING 116 EP851	
56	098640	UPPER BOILER-COVER	
57	098645	HEATING-ELEMENT	
58	254711	GASKET O-RING112 2.62X9.92	
59	099765	BRACKET WIRING	
60	090021	WHIPPING DIAM 10.5 MM	
61	099101	NO-RETURN VALVE	
62	0V0534	COFFEE BRACKET ASSEMBLY	
63	099107	NUT	
64	096176	BIPOLAR THERMOSTAT 125 GRADES	
65	0V1400	STRAIGHT CONNECTOR	
66	092364	UNION GASKET 3/4	
67	094437	UNION 3/8/M.-3/4F	GERMAN VERSION
68	094047	PASTILLE BAG HOSE	
69	094048	BAG LOCK COLLAR	
70	0V0738	SWIVEL CONNECTION	HOT-WATER VERSIONS
71	0V0737	BOILER/ELECTROVALVE CONNECTION PIPE	HOT-WATER VERSIONS
72	0V0749	ELECTROVALVE	HOT-WATER VERSIONS
73	0V0739	1/8 STRAIGHT CONNECTION	HOT-WATER VERSIONS
74	0V0740	1/8 CONNECTION	HOT-WATER VERSIONS
75	094334	INTERMEDIATE ELBOW LINK	SWITZERLAND VERSION
76	093952	WATER INLET CONNECTION NIPPLE	SWITZERLAND VERSION
77	093951	TIGHTENING NUT G 3/4	SWITZERLAND VERSION
78	0V0747	COFFEE BRACKET WIRING	HOT-WATER VERSIONS
79	098600	CHOCK	
80	099105	COFFEE-ELECTROV. CONNECTION PIPE	
81	099057	ELECTROV.-COIL 220/230 VOLT	50 HZ.
82	099056	INSTANTS COIL	50 HZ.
83	099104	INSTANT-ELECTROV. CONNECTION PIPE	
84	099059	VALVE-BUSH-GASKET	
85	099058	NUCLEUS INSTANT-E.V.	
86	099815	STOPPER	
87	099258	1000W/3 ELECTRIC VALVE COFFEE BOILER	
88	0V0615	BOILER EXTENSION	HOT-WATER VERSIONS
89	0V0917	3 WAY ELECTROVALVE 60 HZ COIL	60 HZ.
90	0V0918	2 WAY ELECTROVALVE 60 HZ COIL	60 HZ.
91	0V0846	ELECTROVALVE ASSY. (2+3+2) 220V-60HZ	BRAZIL VERSION

---

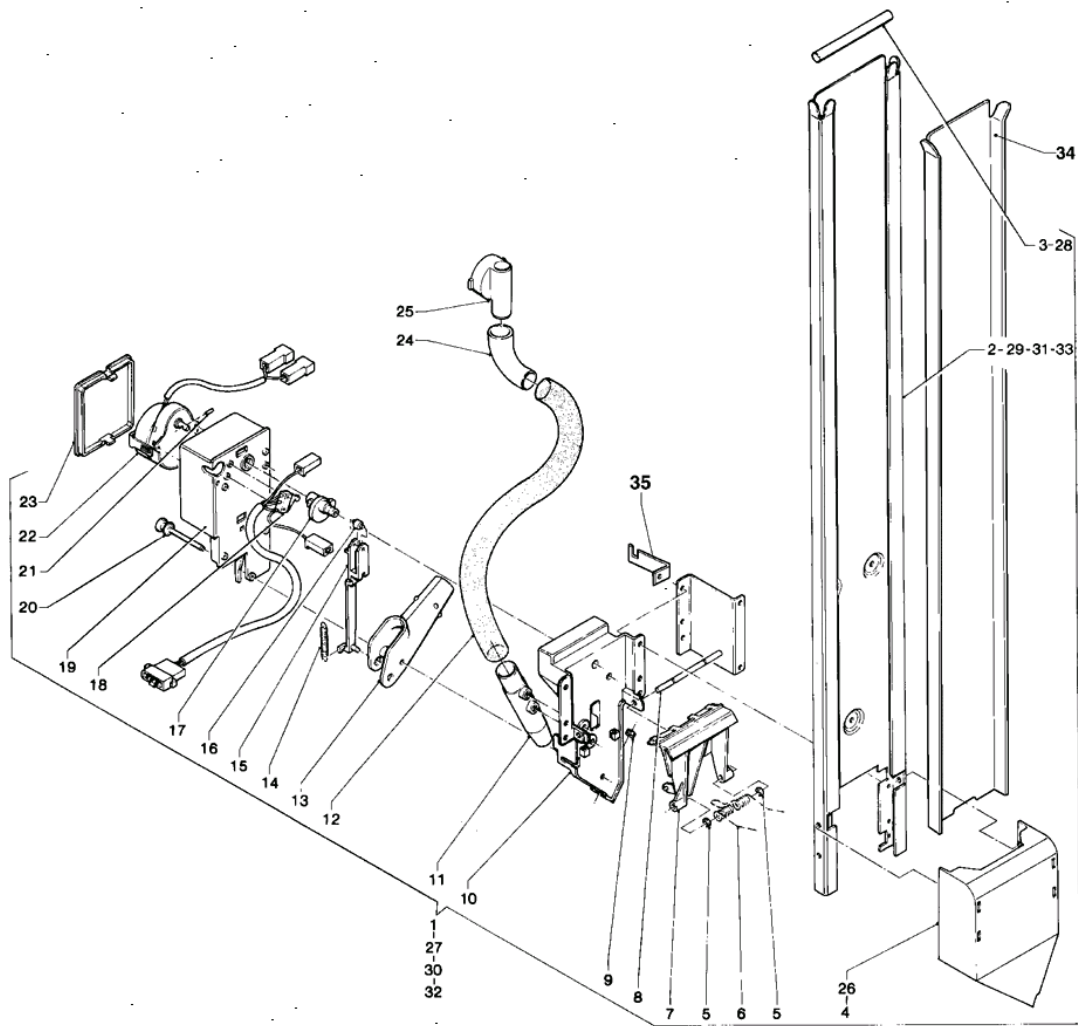
	<b>Code</b>	<b>Description</b>	<b>Notes</b>
92	099653	HEATING ELEMENT 1450 W	HOT-WATER VERSIONS
93	0V0844	220V-60HZ COFFE BOILER	BRAZIL VERSION
94	0V0746	450CC COFFEE BOILER ASSEMBLY	HOT-WATER VERSIONS
95	0V0804	COFFEE BRACKET ASSEMBLY	BRAZIL VERSION
96	0V0745	COFFEE BRACKET ASSEMBLY	HOT-WATER VERSIONS
97	094124	DEPURATOR COMPLETE	
98	094046	FRONT DRUM FASTENER	
99	094516	DEPURATOR FASTENER	
100	096264	HOSE CLIP	
101	097685	SILICONE HOSE BROWN 7.5X12	
102	251143	ALUMINIUM WASHER	
103	255043	SCREW M5X20	
104	255045	SCREW M4X25 -INOX-	
105	0V1434	STRAIGHT UNION	
106	0V2802	GRINDER SUPPORT	
107	0V1335	COVERING	



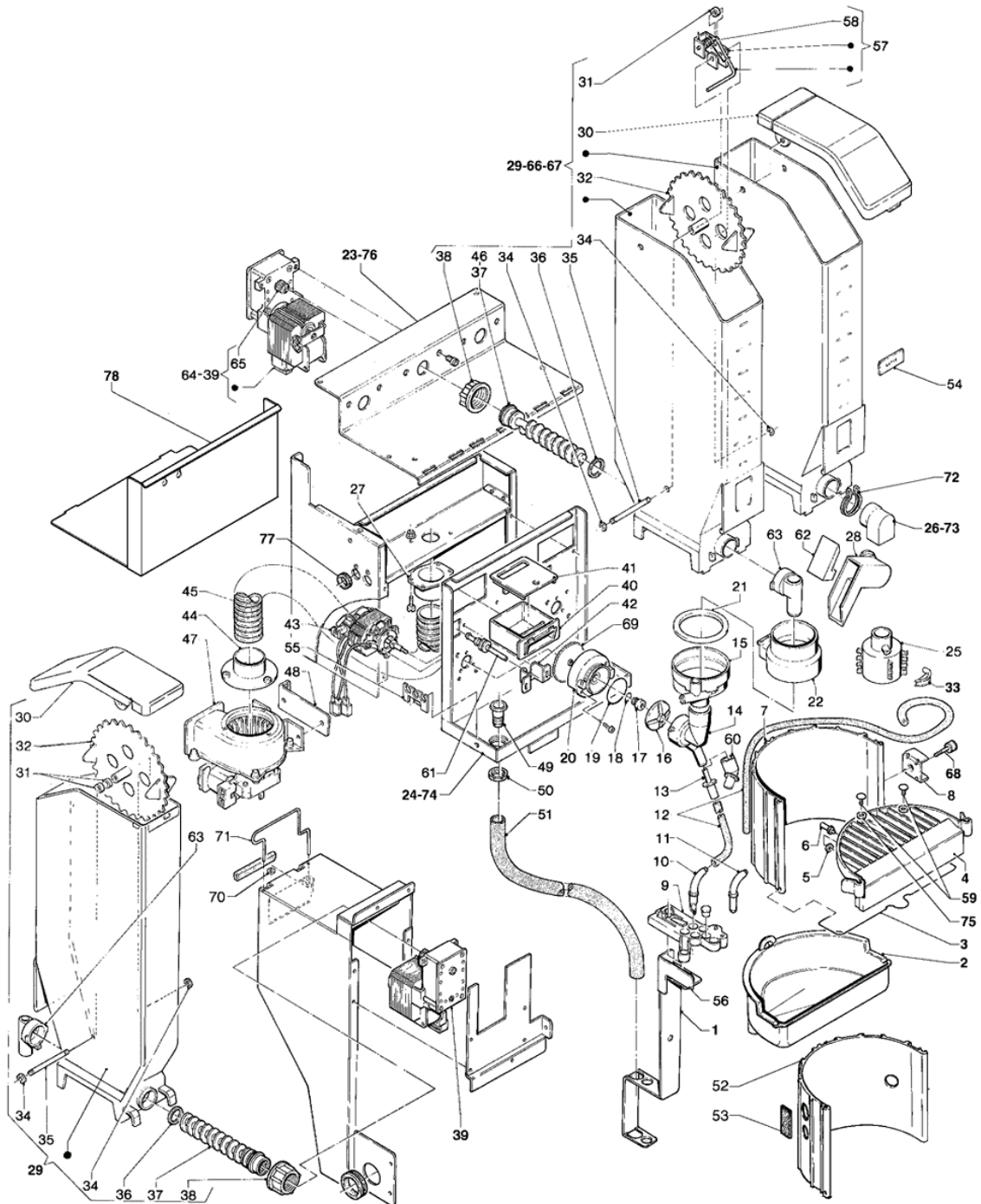


---

	<b>Code</b>	<b>Description</b>	<b>Notes</b>
1	099649	CUPS DISTRIBUTOR	
2	0V0216	CUPS-CONTAINER	
3	099397	MOTOR REDUCTOR 6G/1 MIN.	
4	096904	ELASTIC PLUG 1.5X8	
5	098476	PINION	
6	0V1928	MICRO-SWITCH 'UL'	
7	098473	LOWER SHELL	
8	098477	TOOTHED RING	
9	098305	SCROLL DIAM.70/71	
10	092984	MICRO SUPPORT DISK	
11	092439	MICRO TYPE 'CHERRY'	
12	093419	MICRO DRIVE LEVER PIVOT	
13	092982	MICRO LEVER	
14	098474	UPPER SHELL	
15	098475	SHUTTER	
16	098704	CUP-DISTRIBUTOR-WIRING	
17	090148	CLIP	
18	098845	MOTOREDUCER	
19	097807	BUTTON	
20	090021	WHIPPING DIAM 10.5 MM	
21	098844	MOTOREDUCER SUPPORT	
22	098917	ROTATION DISC	
23	098846	CUPS-COVER	
24	093851	FORK BRACKET	
25	093852	FORK	
26	093828	KNURL	
28	0V3658	CUP CONTAINER COVER	
29	094079	ADJUSTABLE SECTOR	
30	097699	KNURL M4	
31	094081	CHUTE LOCK DISK	
32	094085	CUP CHUTE	
33	098850	CUPS-DISTRIBUTOR SQUARE SUPPORT	
34	097606	EFFECTER BUSH	
35	098754	COUPLER LEVER	
36	090615	COLLAR SCREW	
37	093978	SPRING FOR ACTUATOR	
38	0V0522	BRACKET PIN	
39	0V1659	SNAIL W/DIAM. 73-74	
40	0V0517	CUP CHUTE SUPPORT	
41	099751	BRACKET	
42	098921	CUPS DISTRIBUTOR 73/74	
43	250362	CUPS-SHELF -VENEZIA -	
44	098166	WIRE-FIXING	



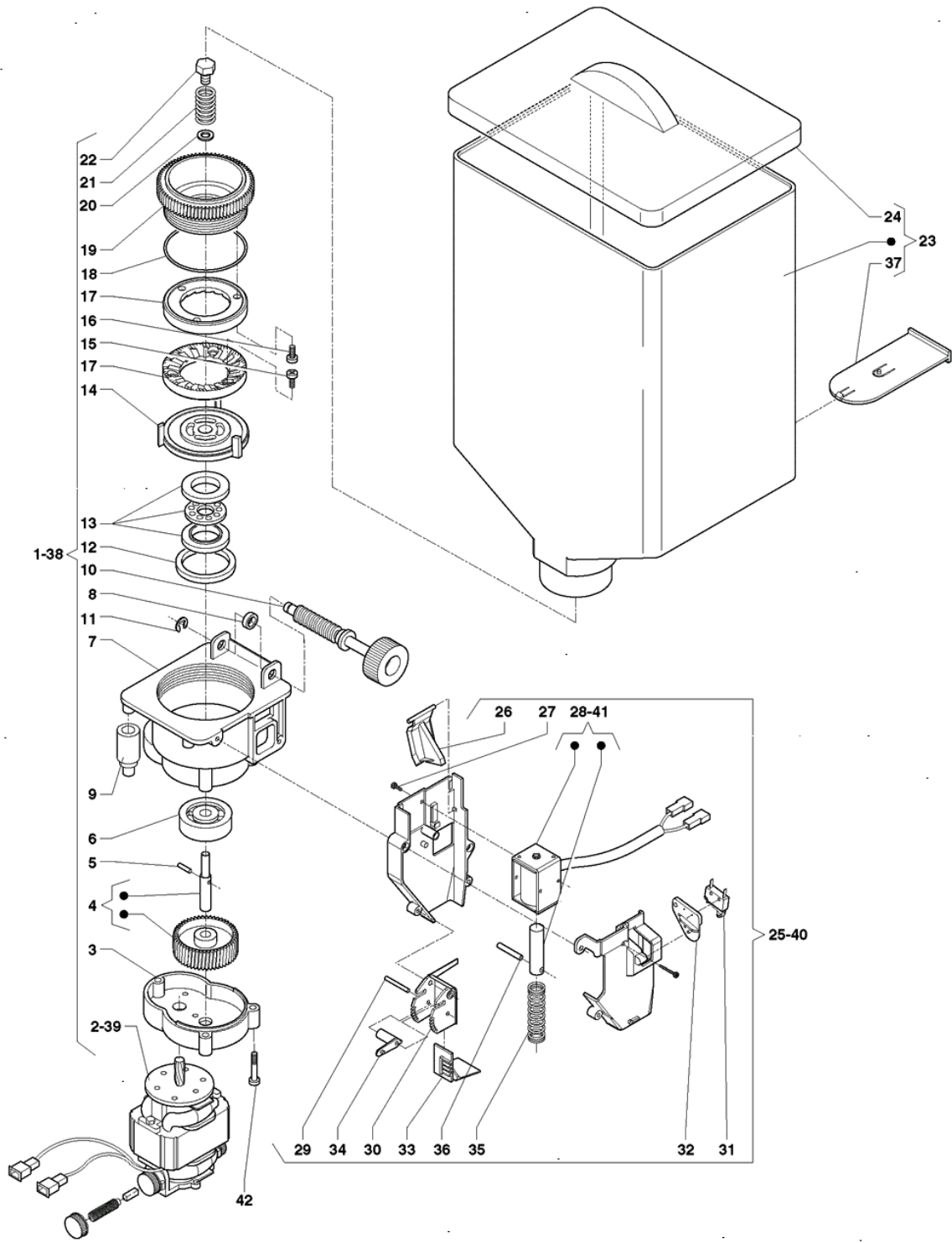
	<b>Code</b>	<b>Description</b>	<b>Notes</b>
1	0V0533	SUGAR/STIRRER DISPENSER	
2	0V0518	STIRRER COLUMN	
3	090203	STIRRER BAR WEIGHT L=95	
4	098631	CHUTE FOR STIRRING	
5	091959	BENZING COLLAR DIAM MM4	
6	099602	SPRING	
7	099610	LEVER	
8	098352	STIRRING BARS EJECTING PIN	
9	098853	PASS-WIRE	
10	099607	BODY	
11	098356	SUGAR PIPE	
12	098719	PVC PIPE 14X19(A METER)	
13	099721	SUGAR NOZZLE	
14	099616	SPRING	
15	099605	ROD	
16	099604	ROLLER	
17	099606	CAM	
18	096355	MICRO SWITCH -UL -	
19	099608	SUPPORT	
20	0V2949	SUGAR SPOUT PIN	
21	096904	ELASTIC PLUG 1.5X8	
22	099397	MOTOR REDUCTOR 6G/1 MIN.	
23	099609	COVER	
24	0V0606	ELBOW	
25	098939	ROUND STRAIGHT PIPETTE	
26	0V3022	STIRRER CHUTE	
27	0V0743	STIRRER/SUGAR DISPENSER 105MM	ENGLAND-SUISS VERSIONS
28	099720	STIRRER BAR WEIGHT L=105	ENGLAND-SUISS VERSIONS
29	0V0681	STIRRER COLUMN 105 MM	ENGLAND-SUISS VERSIONS
30	0V0511	STIRRER DISPENSER	PRE-MIXED SUGAR VERSIONS
31	0V0513	STIRRER COLUMN	PRE-MIXED SUGAR VERSIONS
32	0V0744	105 MM -STIRRER DISPENSER	SWISS INSTANT VERSION
33	0V0750	STIRRER COLUMN	SWISS INSTANT VERSION
34	0V1157	STIRRER STACK PROTECTION 'VENEZIA'	
35	250731	FIXING SQUARE	



	<b>Code</b>	<b>Description</b>	<b>Notes</b>
1	098801	SQUARE SUPPORT FOR NOZZLES	
2	094069	BASIN	
3	094070	BASIN FASTENING SPRING	
4	094066	GRATE	
5	094067	DISK	
6	094068	REAR FASTENING PIVOT	
7	094060	BACKPLATE NECK	
8	094061	GRATE FASTENING BRACKET	
9	098066	SUPPORT FOR INSTANT+ESPRESSO NOZZLES	
10	097953	POINTED NOZZLE	
11	097922	NOZZLE	
12	097511	SILICONE HOSE 6X9 BROWN	
13	097914	COFFEE CHOKE	
14	097912	CONVEYOR FOR MIXER	
15	098191	WATER-FUNNEL CUT	
16	097916	MIXER VENTILATOR	
17	097917	BUSH SEAL	
18	099880	GASKET	
19	094540	GASKET O-RING 3125	
20	097911	FLANGE FOR MIXER	
21	097523	DEFLECTOR RING MIXER BROWN	
22	097520	POWDER INLET FUNNEL BROWN	
23	099977	SUPPORT	
24	0V4183	MIXER SUPPORT	
25	097923	COIL FOR TEA	
26	096868	SQUARE STRAIGHT PIPETTE	
27	0V0526	SUCTION PIPE CONNECTION	
28	098813	LEFT CONVEYOR L=55	
29	0V2173	NORMAL AUGER CONTAINER	
30	0V2048	POWDER CONTAINER LID	
31	098812	SPACER	
32	095936	WHEEL	
33	251295	COIL UNION FOR TEA	
34	091959	BENZING COLLAR DIAM MM4	
35	0V1962	PIN FOR WHEEL	
36	095829	GASKET O-RING	
37	098609	SCROLL	
38	095849	CONTAINER RING NUT	
39	098715	MOTORDOSER 45 G.	45 REVOLUTIONS-UNTIL SERIAL NUMBER 50600867
40	0V0525	POWDER DRAWER	
41	0V0523	DRAWER COVER	
42	0V0605	NOZZLE SUPPORT	INSTANT VERSION
43	098808	MOTORMIXER	
44	098703	VENTILATOR PIPE CONNECTION D38	
45	096459	HOSE DIAM 32	
46	098608	LONG SCROLL	

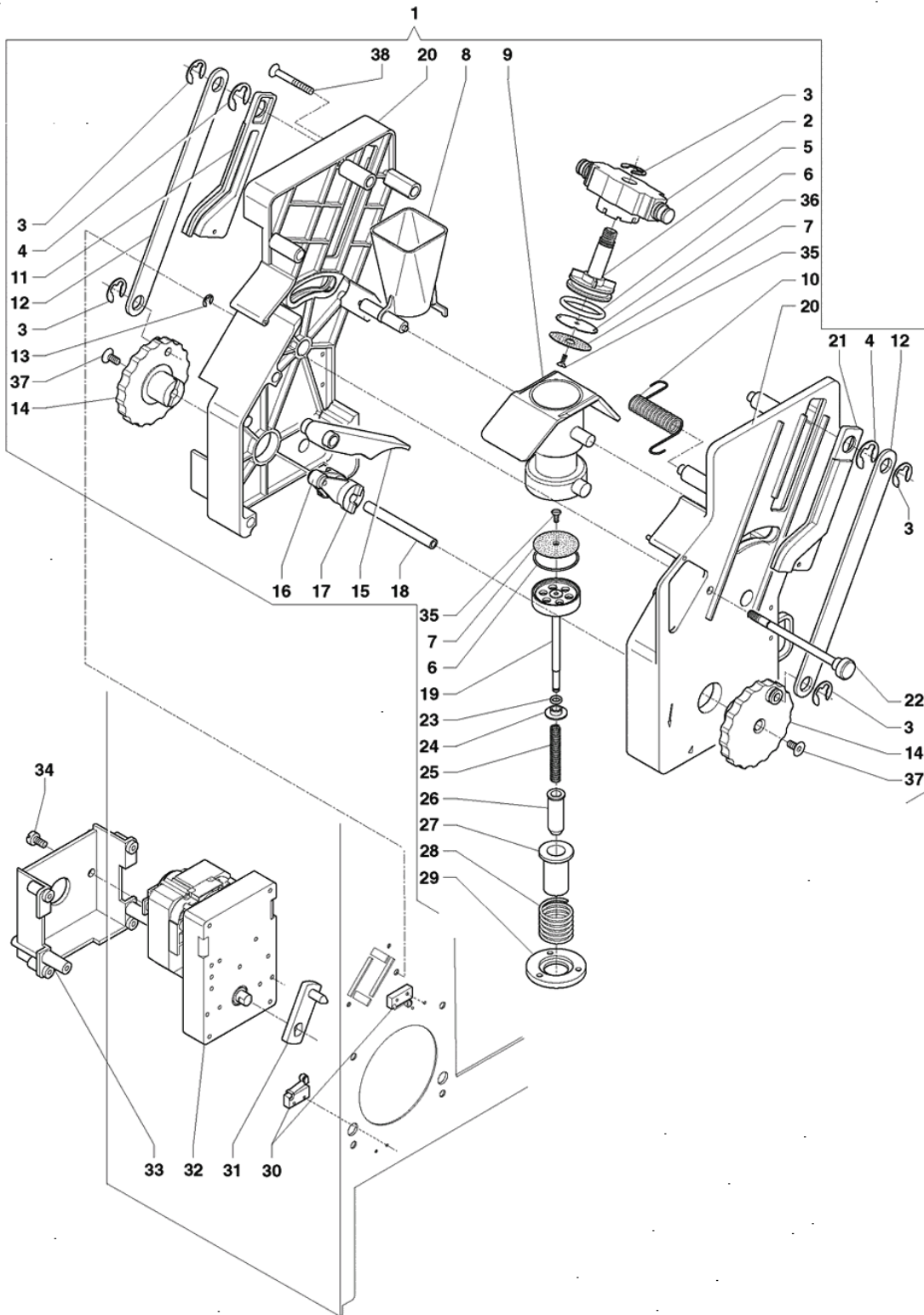
---

	<b>Code</b>	<b>Description</b>	<b>Notes</b>
47	098583	ELECTROVENTILATOR	
48	098806	SQUARE SUPPORT VENTILATOR	
49	094226	RUBBER HOLDER WATER-DRAIN	
50	093962	BATCHER FASTENING LOCK NUT	
51	098800	TRANSPARENT HOSE (PER METER)	
52	099183	OPENING REAR PART (D)	
53	0V0906	CATADIOPTIC PLATE	
54	097502	NAMEPLATE GROUP CONTAINER INSTANT P	
55	098728	PIPES-SUPPORT	
56	0V0521	PROTECTION PLATE	
57	099494	CANISTER-BEATER	
58	099442	SPRING	
59	099184	CUP POSITIONING PIN	
60	097913	ELBOW FOR MIXER	
61	099329	FUNNEL NOZZLE D. 3.4	
62	099803	LONG CONVEYOR COVER	
63	098939	ROUND STRAIGHT PIPETTE	
64	098807	MOTORDOSER 65 G.	65 REVOLUTIONS
65	099882	PINION (FOR SMALL SHAFT)	
66	0V2174	LONG AUGER CONTAINER	
67	0V2175	LONG AUGER CONTAINER+BEATER	
68	094642	TREFOIL SCREW TE M4X10	
69	099889	DISK	
70	093754	BENZING COLLAR QUICKBLOCK BQ DIAM MM	
71	099632	STOPPING	
72	097460	DIAPHRAGM CONVEYOR SPRING	
73	096867	DIAPHRAGM CONVEYOR	
74	250216	MIXER SUPPORT 'INSTANT'	
75	096863	PIVOT WASHER	
76	0V4168	CONTAINER SUPPORT -INSTANT-	
77	093312	WHIPPING DIAM MM 12 ART 46	
78	251144	LOWER COVER	



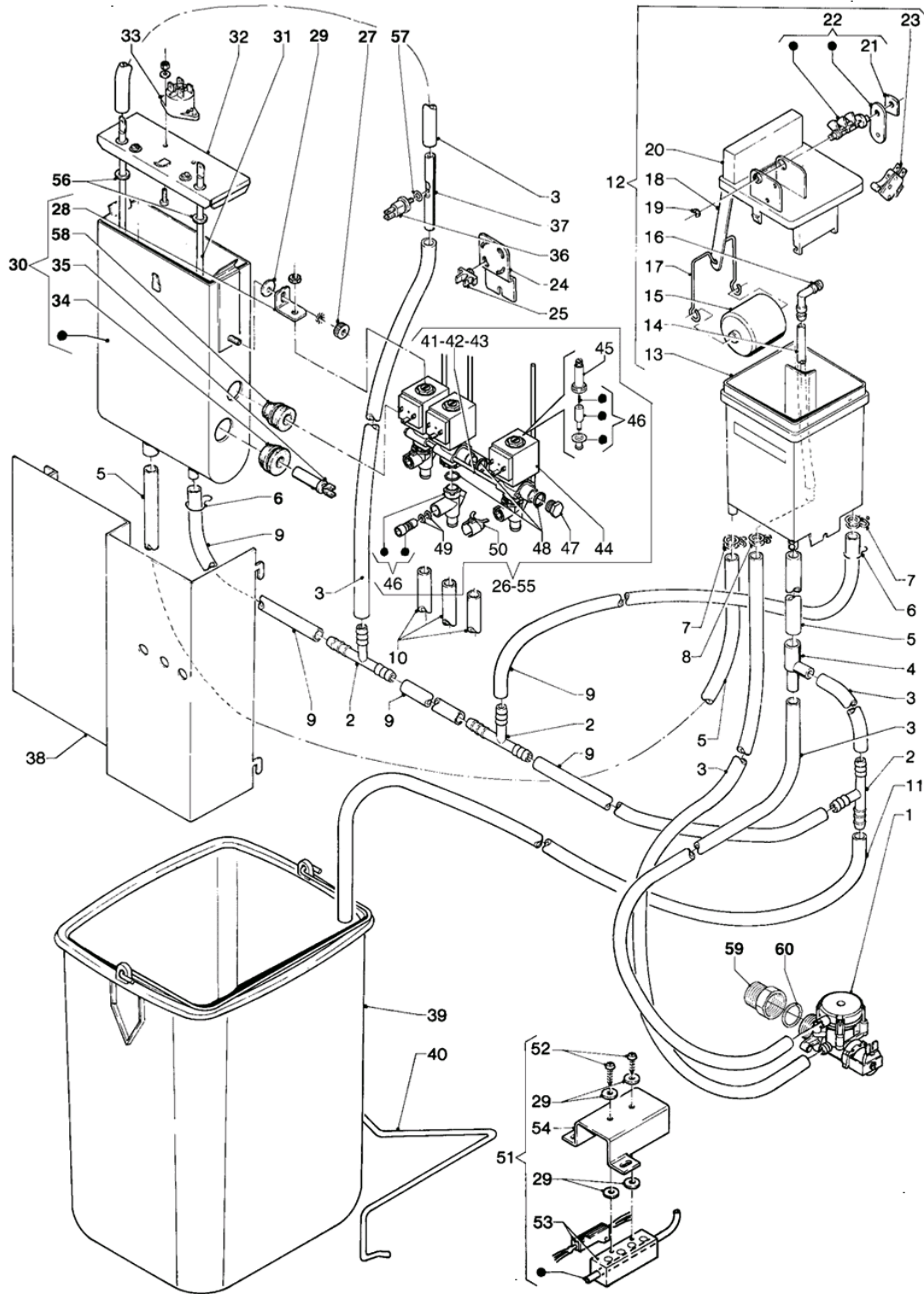


	<b>Code</b>	<b>Description</b>	<b>Notes</b>
1	099336	GRINDER	
2	099732	GRINDER MOTOR	
3	099468	SUPPORT	
4	099470	SHAFT WHEEL	
5	098293	ELASTIC PLUG	
6	095803	RADIAL BEARING	
7	099469	CAP	
8	099457	WASHER	
9	099484	LITTLE RUBBER	
10	099474	REGULATION SCREW	
11	093171	OUTER FIXING COLLAR DIAM MM6	
12	093271	COFFEE JUNK RING	
13	093187	THRUST BEARING	
14	095802	GRINDER HOLDER IMPELLER	
15	255032	TREFOIL SCREW M4X10	
16	255033	SELF-TAPPING SCREW 4X10	
17	095840	GRINDER	
18	095805	GASKET O-RING	
19	099473	GRINDER HOLDER	
20	096988	WASHER	
21	099471	SPRING	
22	099472	LEFT SCREW	
23	099726	COFFEE-CANISTER COMPLETE	
24	0V1357	CONTAINER COVER	
25	099337	COFFEE DOSER	
26	099475	ACTUATOR	
27	092657	CLOSS SLOT SCREW 3X6TC	
28	098716	ELECTROMAGNET 220V	
29	098822	PIN FOR LEVER	
30	098642	SHUTTER COFFEE-DOSER	
31	0V2131	BURGESS MICRO-SWITCH	
32	0V2082	ADAPTER PLATE	
33	098643	RULE COFFEE-DOSES	
34	098644	LEVER FOR RULE	
35	098696	SPRING DOSER ELECTROMAGNET	
36	093832	ROD PIVOT	
37	098630	ROLL-UP FOR CONTAINER	
38	0V0448	GRINDER 60 HZ	BRAZIL VERSION
39	0V0451	GRINDER MOTOR 60 HZ	BRAZIL VERSION
40	099337	COFFEE DOSER	BRAZIL VERSION
41	098716	ELECTROMAGNET 220V	BRAZIL VERSION
42	255031	SELF-TAPPING SCREW 4.2X26	



---

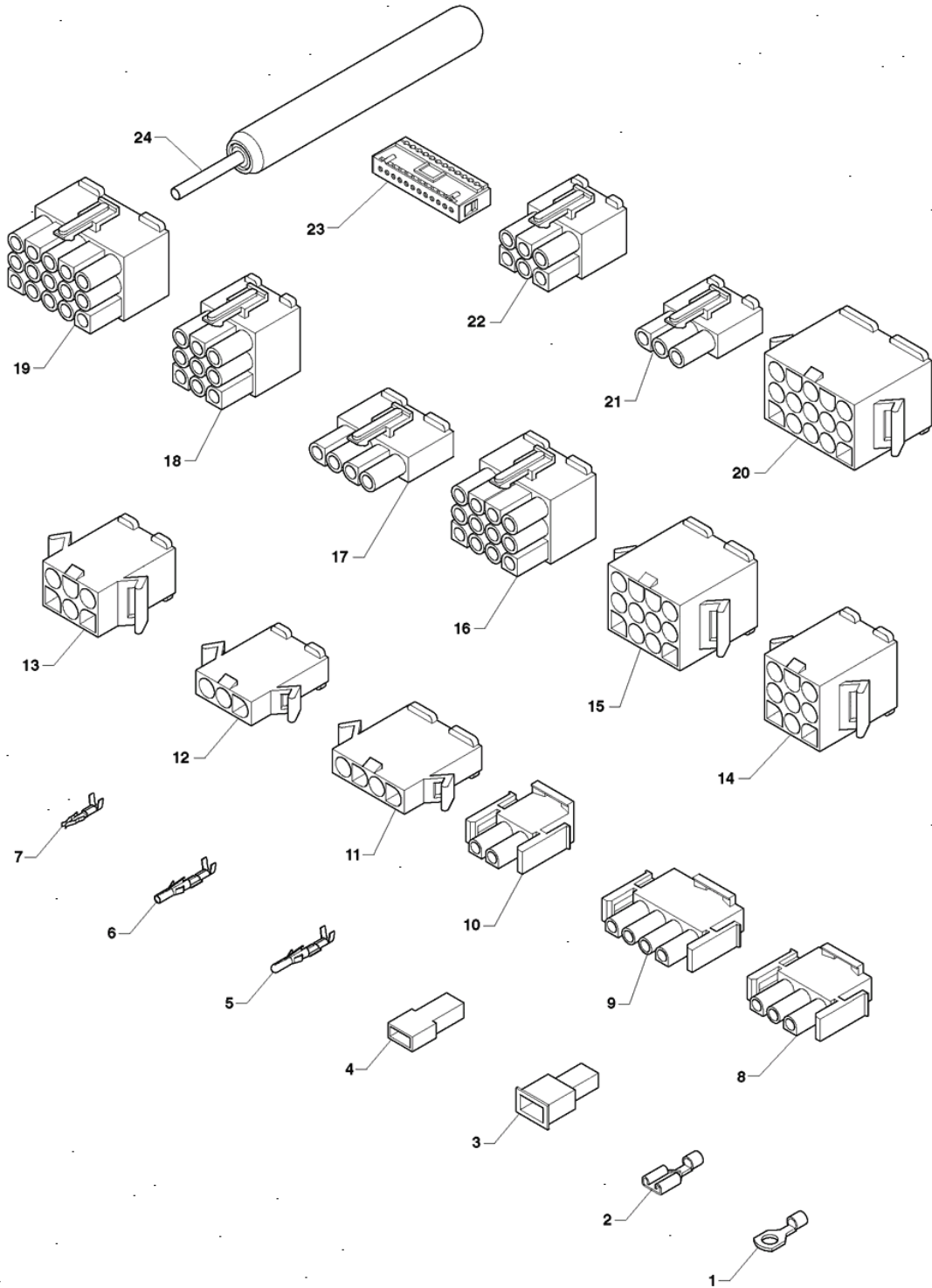
	<b>Code</b>	<b>Description</b>	<b>Notes</b>
1	0V1358	Z2000M COFFEE UNIT	
2	098568	CROSS-BAR	
3	092717	FIXING COLLAR DIAM MM10	
4	096569	FIXING COLLAR DIAM 12	
5	098577	UPPER PISTON	
6	093167	SILICONE GASKET OR 4118 .	
7	098687	COFFEE FILTER	
8	098570	COFFEE CHUTE	
9	0V1715	BREWING CHAMBER W/PLUG	
10	098920	SCRAPER	
11	098571	REAR SLEDGE	
12	098565	TRACE FOR PISTON COMMAND	
13	098818	STOPPING RING D.4	
14	098573	CRANK	
15	098575	OSCILLATING LEVER	
16	098692	ROTATING LEVER ROLL	
17	098574	ROTATING LEVER	
18	098693	ROD CRANK BLOCKING	
19	099490	LOWER PISTON	
20	0V1714	FRONT AND REAR SHOULDER	
21	098572	FRONT SLEDGE	
22	098694	ROD WITH KNURL	
23	090421	GASKET OR 2025	
24	098690	CONTROL BUSH	
25	098688	PISTON RETURN SPRING	
26	098691	LOWER PISTON GUIDE	
27	098567	LID FOR SPRING	
28	098689	PREINFUSION SPRING	
29	098569	FLANGE FOR SPRING	
30	096355	MICRO SWITCH -UL -	
31	098763	CRANK WITH PIN	
32	098708	MOTOREDUCER	
33	098566	MOTOREDUCER SUPPORT	
34	096097	SCREW	
35	255047	SCREW M3X10 -INOX-	
36	0V1789	WATER DEFLECTOR	
37	0V3889	SCREW 6X14	
38	255031	SELF-TAPPING SCREW 4.2X26	



	<b>Code</b>	<b>Description</b>	<b>Notes</b>
1	097383	ELECTROVALVE WATER-INLET 220V-2.5L/MIN-	
2	096552	UNION T-SHAPE	
3	097512	SILICONE HOSE 6X12 BROWN	
4	094185	CODENSE RECOVERY UNION	
5	097515	SILICONE HOSE 10X16 BROWN	
6	092703	TUBE CLAMP	
7	095515	HOSE CLIP DIAM 14	
8	097002	HOSE CLIP	
9	097685	SILICONE HOSE BROWN 7.5X12	
10	097511	SILICONE HOSE 6X9 BROWN	
11	093628	HOSE VIPLA TRANSPARENT DIAM MM 14X1	
12	098250	AIR-BREAK COMPLETE	
13	094115	AIR BREAK CASE	
14	094330	HOSE POLYTHENE MM 6X9	
15	094120	FLOAT	
16	094571	UNION 90 DEGREES	
17	094118	FLOAT ARM	
18	094119	CONNECTING ROAD	
19	091959	BENZING COLLAR DIAM MM4	
20	094116	AIR-BREAK LID	
21	094128	GRIP CLIP	
22	094933	CONTROL DEVICE MICRO AIR-BREAK	
23	0V1929	MICRO 'UL' FOR AIR-BREAK	
24	099749	BRACKET	
25	098484	HOSE FIXING	
26	099914	GROUP 3 ELECTROVALVES	
27	097699	KNURL M4	
28	098895	ELECTROVALVE FIXING BRACKET	
29	093179	INSULATING WASHER MOTOREDUCTER	
30	098866	INSTANT-BOILER	
31	098862	STRENGTHENED HEATING-ELEMENT	
32	098867	INSTANT-BOILER COVER	
33	0V1364	105 DEGREE SAFETY THERMOSTAT	
34	099918	GASKET FOR FEELER	
35	0V0157	FEELER	
36	098726	THERMOSTAT	
37	098390	PIPE FOR THERMOSTAT FIXING	
38	0V0510	BOILER COVER	
39	254569	BLUE GROUND BUCKET	
40	095730	BUCKET FASTENER	
41	0V4309	LOCKING TUBE L=138	
42	0V4309	LOCKING TUBE L=138	
43	0V4309	LOCKING TUBE L=138	
44	099057	ELECTROV.-COIL 220/230 VOLT	
45	0V3552	VALVE BUSH	
46	251632	ELECTROVALVE KIT	

---

	<b>Code</b>	<b>Description</b>	<b>Notes</b>
47	0V4308	STOPPER WITH O-RING	
48	0V3554	GASKET O-RING	
49	099064	ADJUSTING-SCREW-GASKET	
50	0V3556	LOWER BODY STOP	
51	099443	HEATING DEVICE	
52	255032	TREFOIL SCREW M4X10	
53	099196	HEATING ELEMENT	
54	099441	HEATING DEVICE SUPPORT	
55	0V0729	220V 4-ELECTROVALVE UNIT	
56	099289	GASKET	
57	094597	COPPER WASHER	
58	099847	GASKET	
59	094437	UNION 3/8/M.-3/4F	GERMAN VERSION
60	092364	UNION GASKET 3/4	GERMAN VERSION



---

	<b>Code</b>	<b>Description</b>	<b>Notes</b>
1	090957	EYELET TERMINAL	
2	090959	FASTON W/O TONGUE	
3	091192	FASTON COVER	
4	090247	FEMALE FASTON COVER	
5	095955	TERMINAL MALE	
6	096136	TERMINAL FEMALE	
7	094405	TERMINAL FEMALE 2.5	
8	094954	FEMALE HOLDER CONNECTOR 3-WAYS	
9	098062	4-WAY CONNECTOR MATE-N-LOK AMP	
10	094955	FEMALE HOLDER CONNECTOR 2-WAYS	
11	0V0809	4-PIN CONNECTOR/P MOLEX 3191	
12	0V0808	3-PIN CONNECTOR/P MOLEX 3191	
13	0V0810	6-PIN CONNECTOR/P MOLEX 3191	
14	0V0811	9-PIN CONNECTOR/P MOLEX 3191	
15	0V0812	12-PIN CONNECTOR/P MOLEX 3191	
16	0V0818	12-PIN CONNECTOR/P MOLEX 3191	
17	0V0815	4-PIN CONNECTOR/P MOLEX 3191	
18	0V0817	9-PIN CONNECTOR/P MOLEX 3191	
19	0V0819	15-PIN CONNECTOR/P MOLEX 3191	
20	0V0813	15-PIN CONNECTOR/P MOLEX 3191	
21	0V0814	3-PIN CONNECTOR/P MOLEX 3191	
22	0V0816	6-PIN CONNECTOR/P MOLEX 3191	
23	094961	FEMALE HOLDER CONNECTOR P.I. 12-W	
24	0V0820	MOLEX CONTACT PULLER	