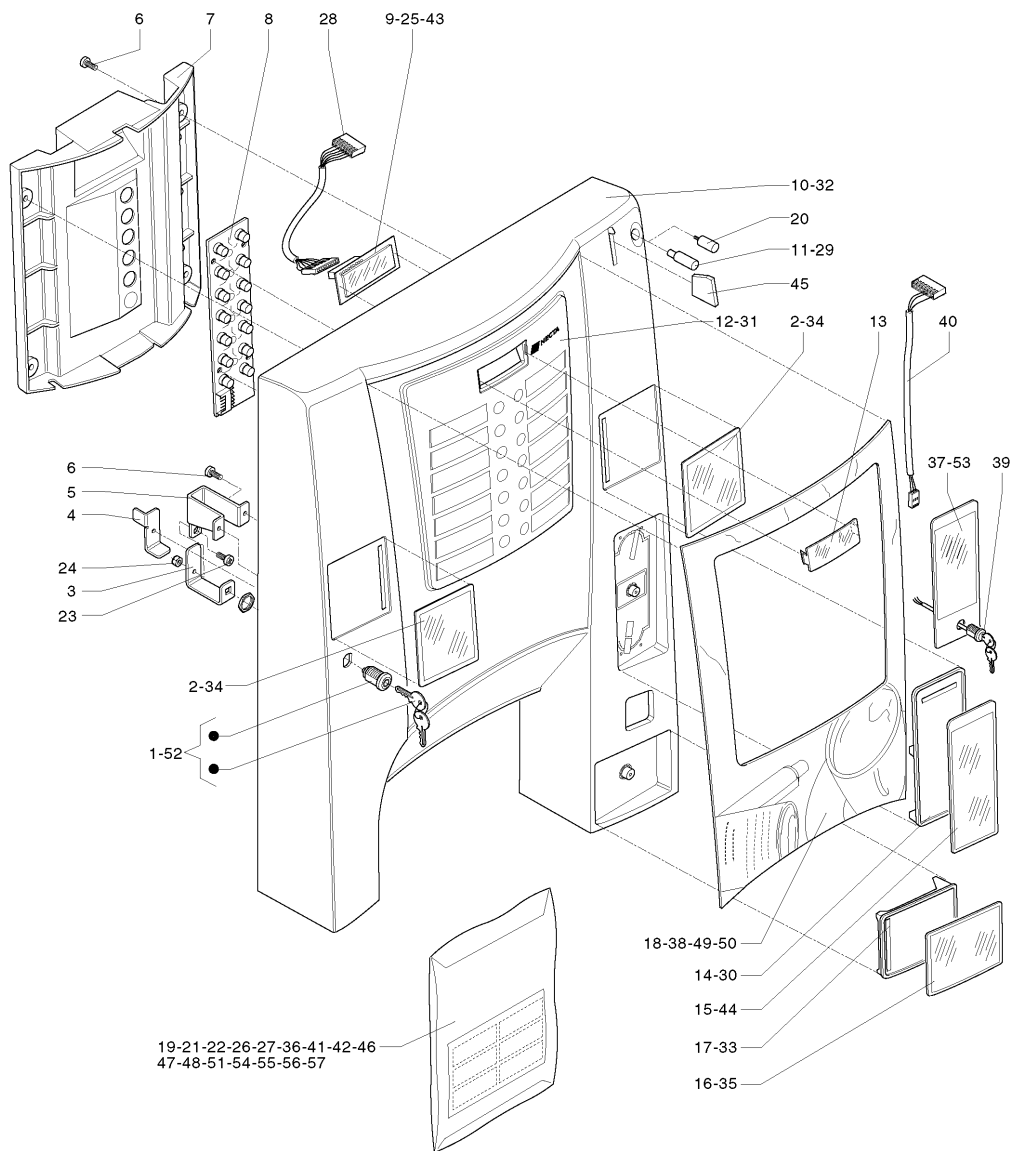
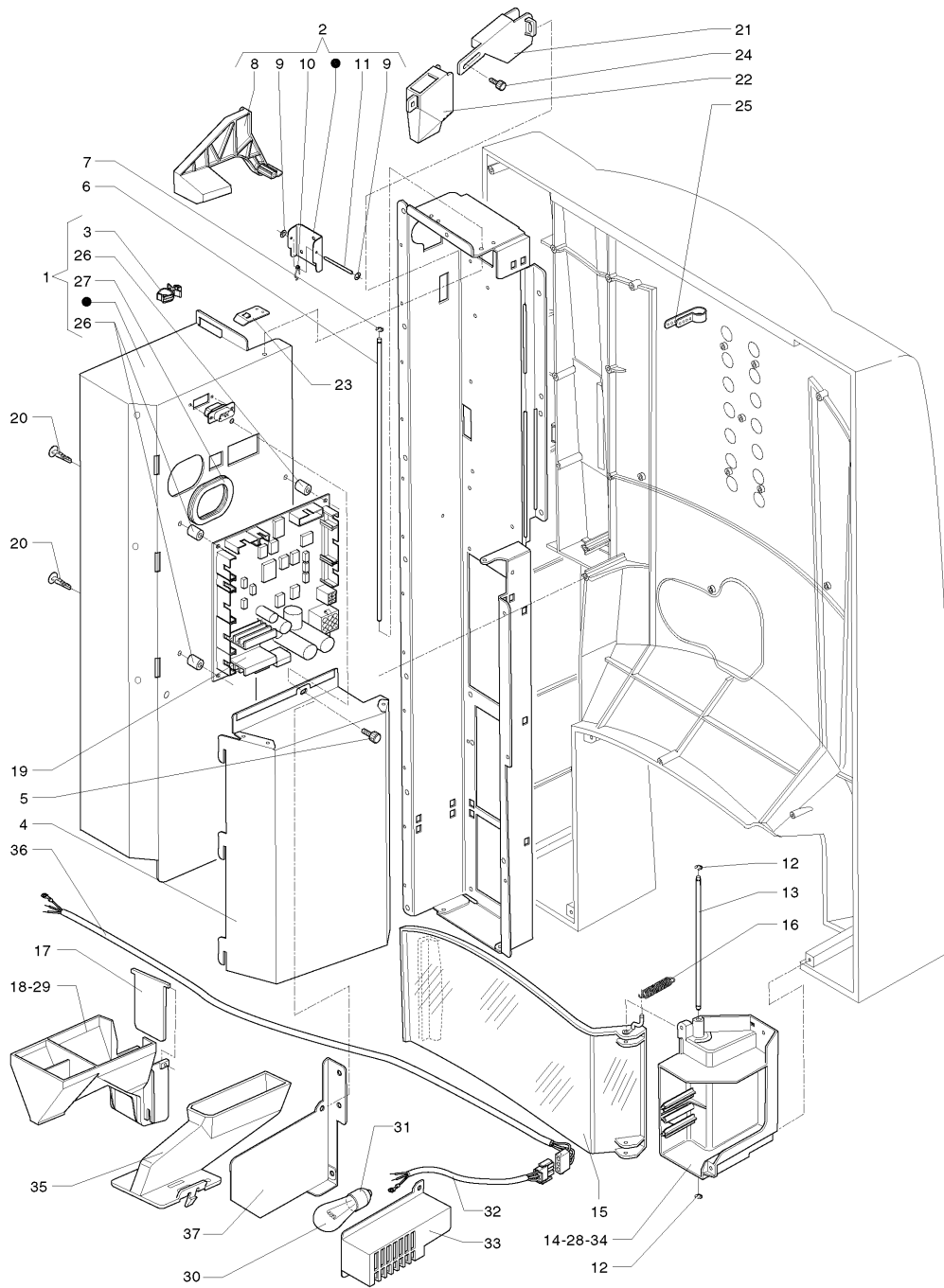


BRIO3 ESPRESSO - INSTANT - 220V 50/60HZ

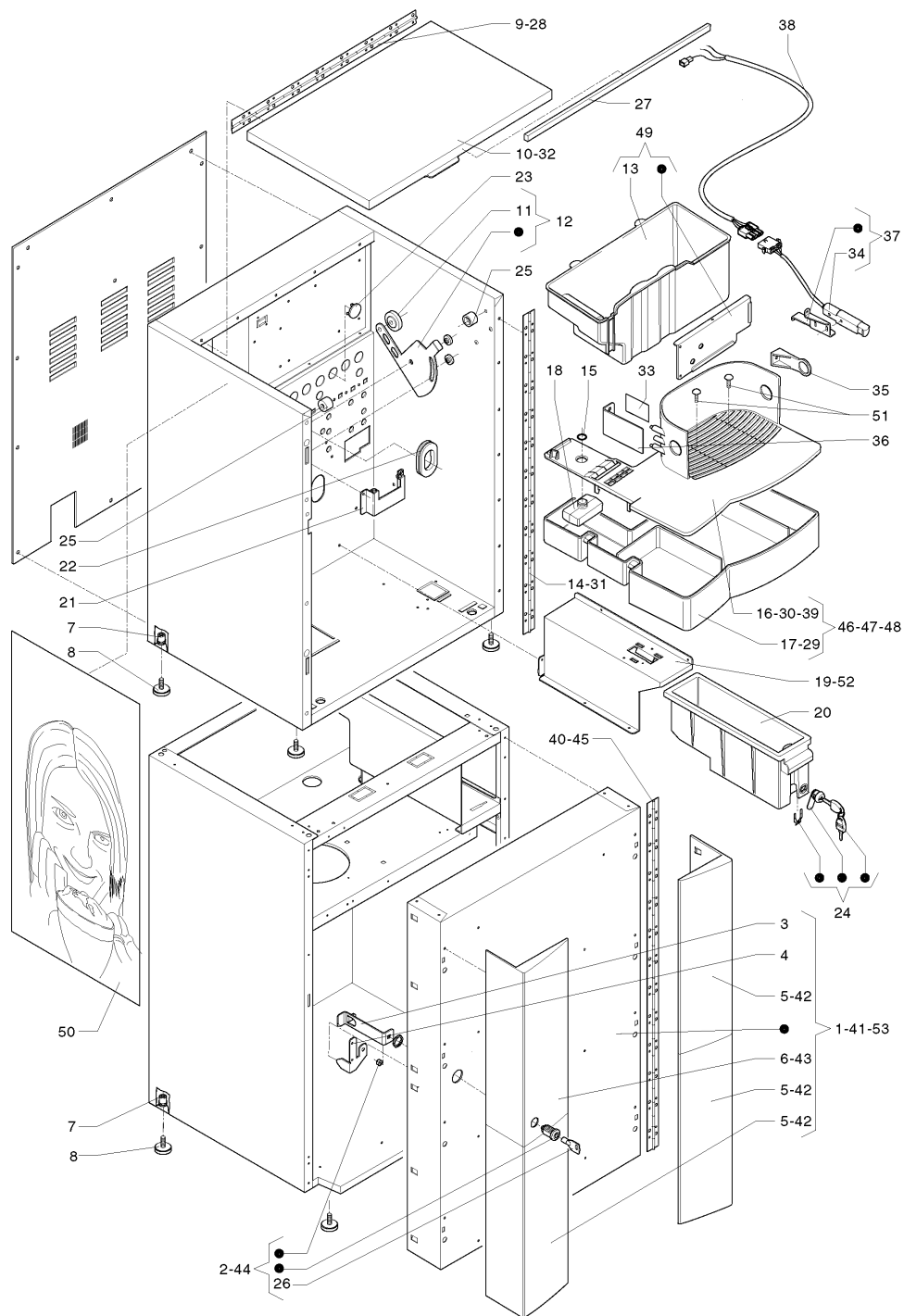


	Code	Description	Notes
1	099905	LOCK RIELDA	
2	252249	UPPER LABEL HOLDER	
3	252206	LATCH	
4	252208	DOOR ELEVATION	
5	252207	LATCH GUIDE	
6	255033	SELF-TAPPING SCREW 4X10	
7	252220	PUSH-BUTTON BOARD COVER	
8	252257	SELECTION BOARD	
9	251653	DISPLAY 2X16 BLUE	
10	252244	DOOR	
11	0V3465	MONEY RETURN BUTTON	
12	252247	SELECTION PANEL	
13	252245	DISPLAY GLASS	
14	252222	COIN VERIFIER STOPPER	
15	252250	MIDDLE LABEL HOLDER	
16	252251	LOWER LABEL HOLDER	
17	252221	STOPPER	
18	252246	PHOTO-PANEL	
19	252248	PRODUCT LABELS (ITALY)	
20	252512	MONEY RETURN BUTTON PLUG	
21	252300	PRODUCT LABELS - E/P/MEX -	
22	252298	INSTRUCTIONS LABEL	
23	252501	SCREW WITH COLLAR	
24	091703	SELF-BLOCKING NUT M4	
25	251654	DISPLAY 2X16 BLUE-CIRILLICO-	
26	252530	PRODUCTS LABELS -UK/RUS-	
27	252529	PRODUCTS LABELS -H/RO-	
28	250961	DISPLAY WIRING	
29	0V4264	BLACK MONEY RETURN BUTTON	
30	252517	COIN VERIFIER STOPPER -BLACK-	
31	252524	SELECTION PANEL -BLACK-	
32	252523	DOOR -BLACK-	
33	252518	STOPPER -BLACK-	
34	252527	UPPER LABEL HOLDER -BLACK-	
35	252525	LOWER LABEL HOLDER -BLACK-	
36	252528	INSTRUCTIONS LABEL -BLACK-	
37	252542	MIDDLE LABEL HOLDER-FREE V.-BLACK-	
38	252340	F.B. PHOTOGRAPHIC PANEL	
39	099743	FREE VEND SWITCH	
40	252345	FREE VEND-JUG FACILITY WIRING	
41	252342	PRODUCTS LABELS D/CZ/A	
42	252725	PRODUCTS LABELS-GR / B / NL-	
43	251655	DISPLAY 2X16 BLUE-GREECE-	
44	252526	MIDDLE LABEL HOLDER -BLACK-	
45	252513	COIN INSERT PLUG	
46	252858	PRODUCTS LABELS -PL-	

	Code	Description	Notes
47	253283	PRODUCTS LABELS -TURKISH-	
48	0V3368	PRICE PLATE - EURO 0.05-	
49	253413	PHOTO-PANEL -NESTLE'-	
50	253823	PHOTOGRAPHIC PANEL -SKYCUP-	
51	253824	PRODUCT PLATE -SKYCUP- I/F	
52	099043	LOCK TYPE'N'PREFER	
53	252341	MIDDLE LABEL HOLDER-FREE VEND-	
54	254207	PRODUCT PLATE E/P/MEX SKY-CUP	
55	252849	INSTRUCTION PLATE -UK-	
56	099253	PRICE LABELS 'UK' N°1	
57	099242	PRICE-LABEL 'UK' N°2	

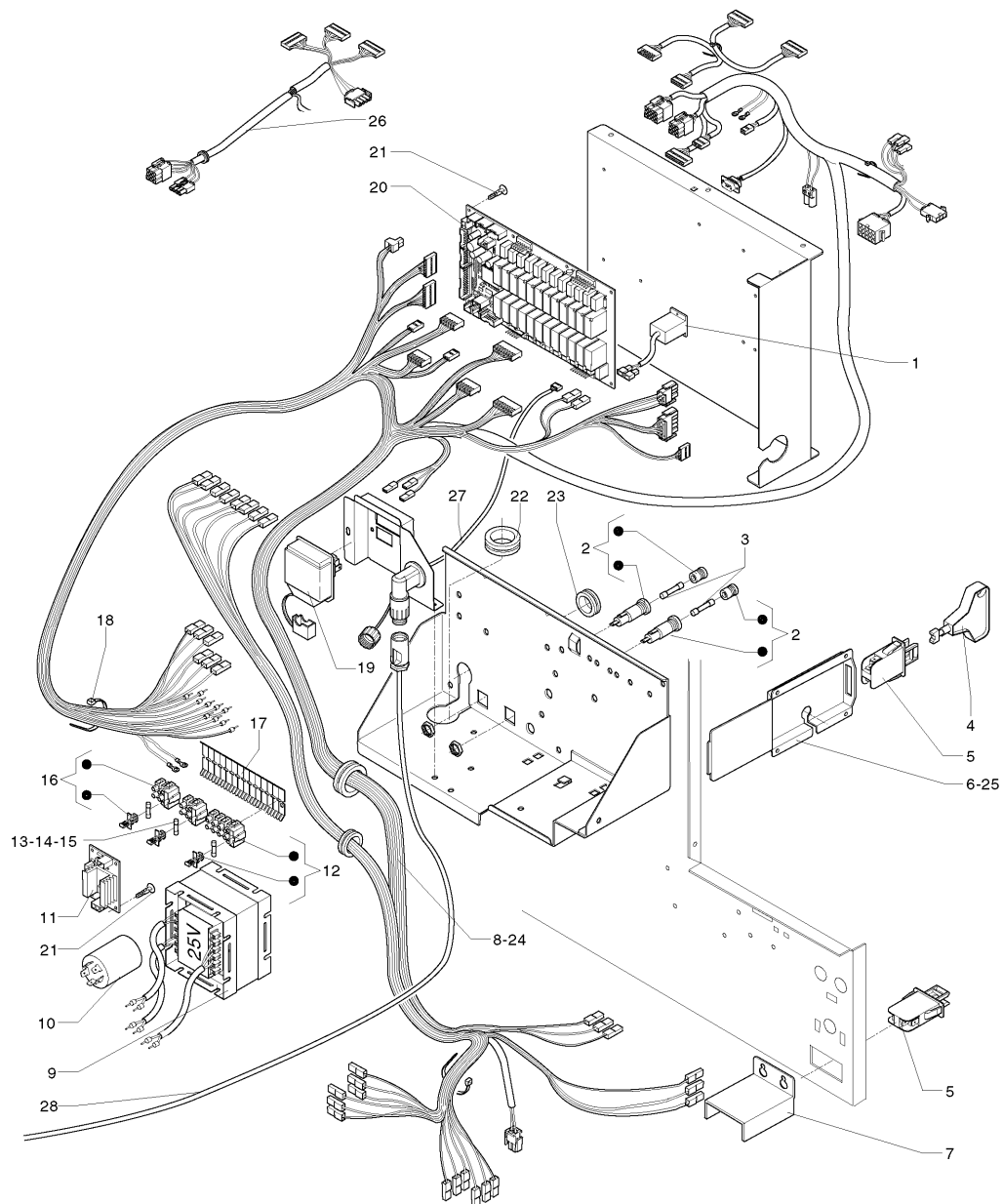


	Code	Description	Notes
1	252272	COIN MECHANISM COMPARTMENT	
2	252260	COIN RETURN ASSY.	
3	098459	WIRE-CLIP	
4	252210	BOARD-PROTECTION	
5	096977	KNURL	
6	252216	COIN-MECHANISM OPENING PIN	
7	098818	STOPPING RING D.4	
8	252235	COIN RETURN LEVER	
9	093754	BENZING COLLAR QUICKBLOCK BQ DIAM MM	
10	252212	SPRING FOR CHANGE	
11	252213	CHANGE GIVING PIN	
12	091737	CIRCLIP DIN 6799	
13	252217	SLIDER PIN	
14	252242	SUPPORT FOR SLIDER	
15	252241	DISPENSING COMPARTMENT DOOR	
16	093978	SPRING FOR ACTUATOR	
17	099359	SHUTTER FOR CHANGE	
18	252240	CHUTE FOR CHANGE	
19	252436	16 BIT CPU BOARD 4MB	
20	097175	CARD SPACER	
21	252238	FIXED COIN INTRODUCTION CHUTE	
22	252239	MOVABLE COIN INTRODUCTION CHUTE	
23	252211	BLOCK FOR COIN MECHANISM COMPARTMENT	
24	093828	KNURL	
25	091420	ADJUSTABLE COLLAR	
26	0V1431	SPACER	
27	093916	WHIPPING OVAL	
28	252723	SUPPORT -BLACK-	
29	252522	CHUTE FOR CHANGE -BLACK-	
30	0V2236	FILAMENT LAMP T26/57 CL 25W	
31	0V2237	LAMP-HOLDER	
32	252543	COMPARTMENT LAMP WIRING	
33	252686	LAMP PROTECTION	
34	252521	SUPPORT FOR SLIDER-BLACK-	
35	252514	CHUTE FOR COIN VERIFIER	
36	252692	COMPARTMENT LAMP PREARRANG.WIRING	
37	252868	COIN BOX PROTECTION	

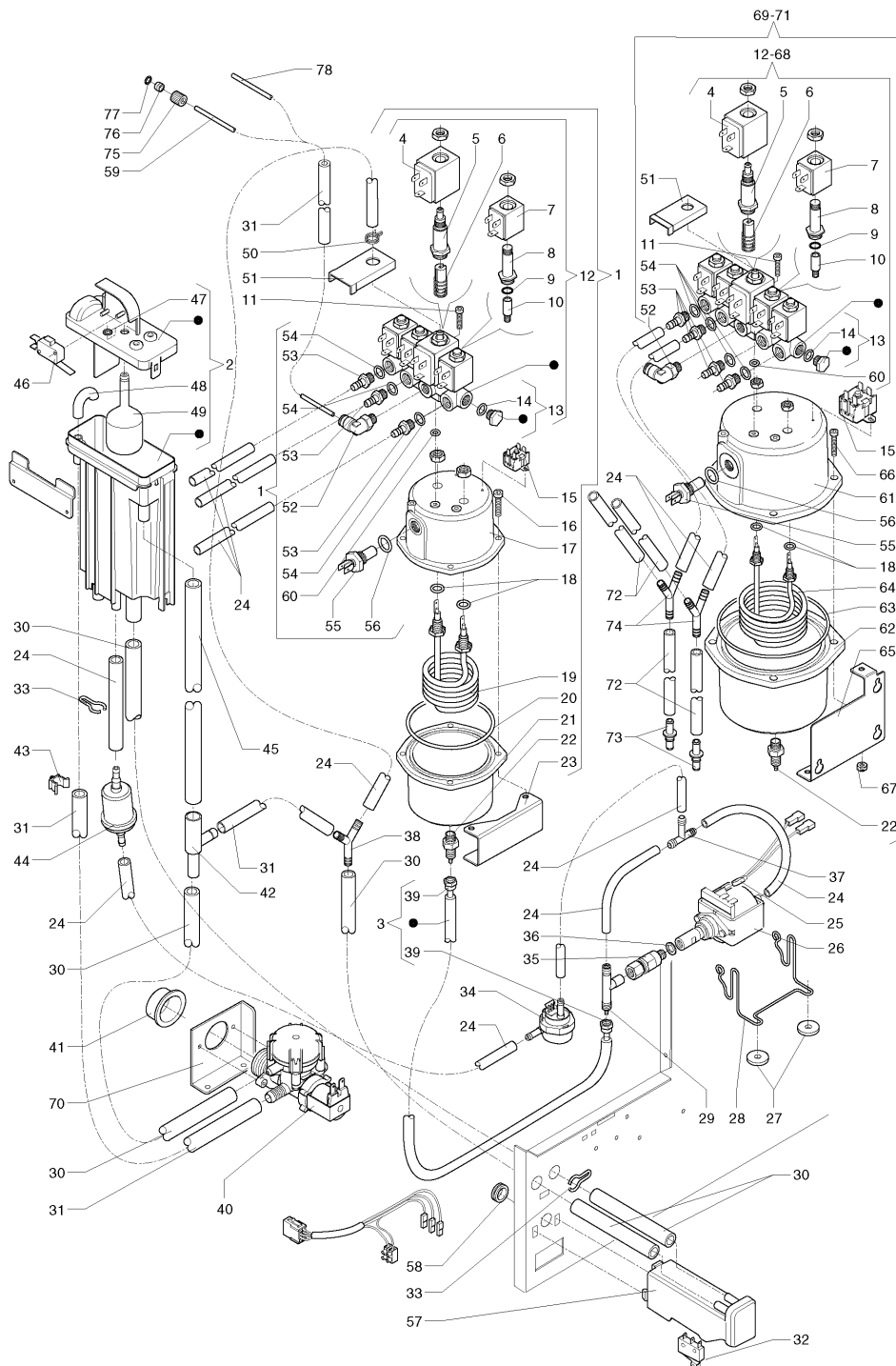


	Code	Description	Notes
1	252190	DOOR	
2	098303	LOCK TYPE 'N'	
3	252182	LATCH	
4	252183	LATCH GUIDE	
5	252185	CABINET COVER	
6	252186	CABINET COVER WITH HOLE	
7	097861	THREADED CONNECTOR	
8	096244	LITTLE FEET	
9	099902	HINGE	
10	252209	MACHINE TOP	
11	0V0102	ROLLER	
12	252194	TOP LEVER	
13	252223	EXPRESS COFFEE GROUNDS TRAY	FROM SERIAL NUMBER 62100628
14	252259	DOOR HINGE	
15	095623	GASKET O-RING 119 EP851	
16	252231	DELIVERY AREA	FROM SERIAL NUMBER 62900885
17	252224	LIQUIDS TRAY	FROM SERIAL NUMBER 62900885
18	252233	FLOAT	
19	252192	COIN-BOX SUPPORT	
20	0V3437	COIN BOX	
21	0V2802	GRINDER SUPPORT	
22	098600	CHOCK	
23	0V4199	PLUG	
24	252189	LOCK 'MERONI'	
25	094657	SPACER	
26	098463	PASSPARTOUT -ROUND LOCK-	
27	0V1429	ADHESIVE SEAL (A METER)	
28	0V0710	MACHINE TOP HINGE (BLACK)	
29	252519	LIQUIDS TRAY -BLACK-	FROM SERIAL NUMBER 62900885
30	252520	DELIVERY AREA -BLACK-	FROM SERIAL NUMBER 62900885
30	252541	DISPENSING OPENING WITH HOLE-BLACK	FROM SERIAL NUMBER 62900885
31	252531	DOOR HINGE -BLACK-	
32	252516	MACHINE TOP -BLACK-	
33	0V0906	CATADIOPTIC PLATE	
34	0V2149	PHOTOCELL	
35	252339	PHOTOCELL GLASS COVER	
36	252332	CATADIOPTIC SUPPORT	
37	252354	PHOTOCELL WITH SUPPORT	
38	252652	PHOTOCELL WIRING	
39	252493	DISPENSING OPENING WITH HOLE	FROM SERIAL NUMBER 62900885
40	252696	INOX HINGE CABINET-BLACK-	
41	252697	DOOR -BLACK-	
42	252694	CABINET COVER - BLACK -	
43	252695	CABINET COVER WITH HOLE-BLACK-	
44	099905	LOCK RIELDA	
45	252187	INOX HINGE CABINET	

	Code	Description	Notes
46	252701	TRAY-DELIVERY AREA	UNTIL SERIAL NUMBER 62900884
47	252702	TRAY-DISPENSING OPENING+HOLE	UNTIL SERIAL NUMBER 62900884
48	252704	TRAY-DISP. OPENING+HOLE-BLACK-	UNTIL SERIAL NUMBER 62900884
49	252707	COFFEE GROUNDS TRAY	UNTIL SERIAL NUMBER 62100627
50	253414	SIDE ADHESIVE LABEL -NESTLE'-	
51	099184	CUP POSITIONING PIN	
52	253863	COIN-BOX SUPPORT ESPRESSO	
53	253856	CABINET DOOR-GREY/BLACK-	

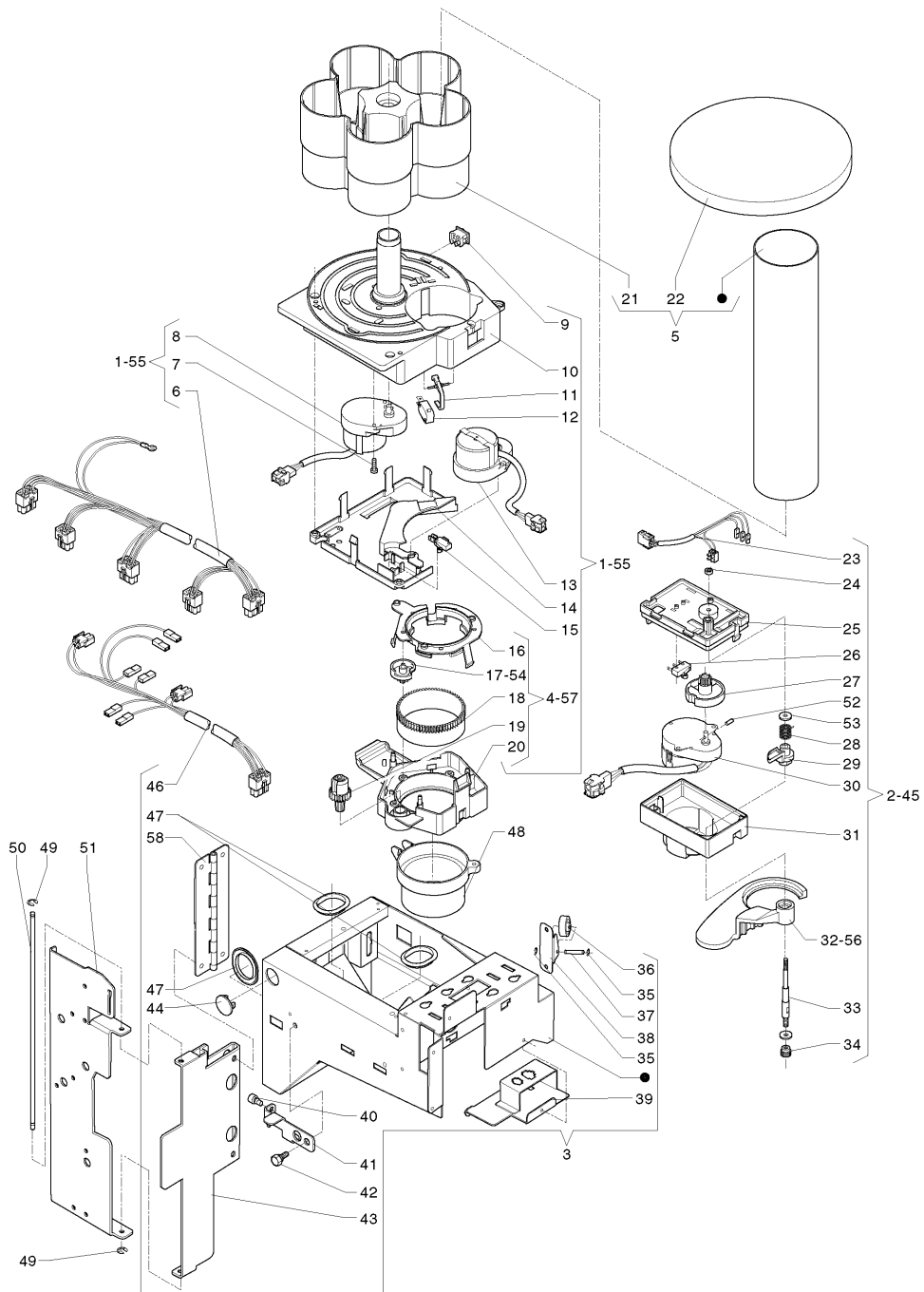


	Code	Description	Notes
1	0V2284	SCALER 24 VOLT	
2	251863	FUSE HOLDER	
3	095636	FUSE 15 A	
4	0V1654	SWITCH KEY	
5	097796	SWITCH	
6	252193	MICROSWITCH PROTECTION	
7	250797	MICROSWITCH PROTECTION	
8	252252	MAIN WIRING ASSEMBLY	
9	0V0014	G49/25-25V TRASFORMER	
10	0V3512	ELECTRICAL NET FILTER	
11	0V2143	BOILER CONTROL BOARD	
12	098793	5P TERMINAL BOARD WITH FUSE-HOLDER	
13	096922	FUSE 5X20 800M AMP	
14	097259	FUSE 5X20 4A DELAYED ACTION	
15	096923	FUSE 5X20 1 AMP DELAYED ACTION	
16	097241	3-POLE TERMINAL BOARD W/CARRIER	
17	097242	SUB-TERMINAL BOARD	
18	090148	CLIP	
19	098796	TERMINAL BOARD	
20	252437	16 BIT CONTROL BOARD 4MB	
21	252237	SPACER	
22	098600	CHOCK	
23	090020	WHIPPING MM 16	
24	252569	INSTANT GENERAL WIRING	
25	252328	FB-IN MICROSWITCH PROTECTION	
26	252718	WIRING OF COLD UNIT	
27	252535	CAN BUS CONNECTION WIRING	
28	250587	MASTER-SLAVE CONNECTION WIRING	



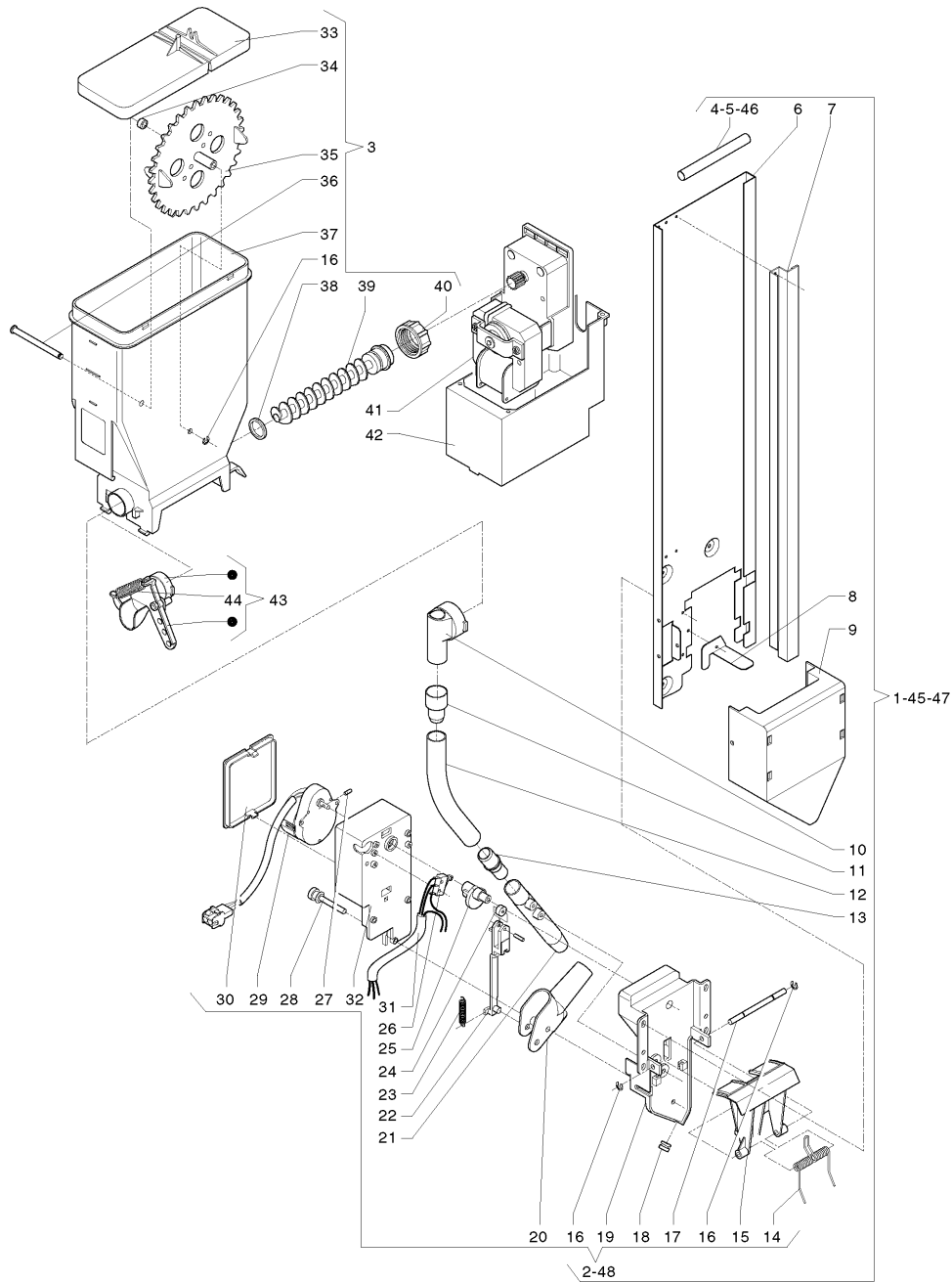
	Code	Description	Notes
1	252263	BOILER ASSEMBLY 300 CC	
1	253270	BOILER ASSEMBLY 300CC 1000W-220V 60HZ-	
2	0V1133	AIR-BREAK ASSEMBLY	
3	252262	PUMP/BOILER PIPE (L=180)	
3	255128	PUMP/BOILER PIPE (L=140)	
4	099057	ELECTROV.-COIL 220/230 VOLT	
4	0V0917	3 WAY ELECTROVALVE 60 HZ COIL	
5	099105	COFFEE-ELECTROV. CONNECTION PIPE	
6	097472	3-WAY ELECTROVALVE NUCLEUS -VITON-	
7	099056	INSTANTS COIL	
7	0V0918	2 WAY ELECTROVALVE 60 HZ COIL	
8	0V1953	INSTANT-ELECTROV. CONNECTION PIPE	
9	099059	VALVE-BUSH-GASKET	
10	099058	NUCLEUS INSTANT-E.V.	
11	255045	SCREW M4X25 -INOX-	
12	0V1739	2+2+3+2 WAYS ELECTROVALVE ASSEMBLY	
12	250340	2+2+3+2 WAYS ELECTROVALVE 220V-60HZ	
13	0V1600	CAP WITH O-RING	
14	096553	GASKET O-RING 2037	
15	0V1318	125 DEGR. THERMOSTAT	
16	255043	SCREW M5X20	
17	098640	UPPER BOILER-COVER	
18	254711	GASKET O-RING112 2.62X9.92	
19	098645	HEATING-ELEMENT	
20	098701	GASKET	
21	098641	LOWER BOILER-COVER	
22	098758	STRAIGHT UNION	
23	0V0192	BOILER SUPPORT	
24	097510	SILICONE HOSE 5X9 BROWN	
25	098815	90 DEGREES THERMIC PROTECTION	
26	098760	PUMP (VIBRATION)	
26	0V0465	PUMP 220V - 60 HZ	
27	093091	PUMP DAMPER	
28	0V0191	POMPE SUPPORT	
29	098764	BY-PASS PUMP (12 BAR)	
29	0V0493	BY-PASS PUMP -4 BAR-	
30	097512	SILICONE HOSE 6X12 BROWN	
31	097685	SILICONE HOSE BROWN 7.5X12	
32	0V1930	MICROSWITCH 'UL'	
33	093957	TUBE CLAMP	
34	098707	VOLUMETRIC COUNTER	
35	099101	NO-RETURN VALVE	
36	251143	ALUMINIUM WASHER	
37	094231	UNION T-SHAPE	
38	095513	UNION Y-SHAPE	
39	099107	NUT	

	Code	Description	Notes
40	097383	ELECTROVALVE WATER-INLET 220V-2.5L/MIN-	
41	099815	STOPPER	
42	094185	CODENSE RECOVERY UNION	
43	098484	HOSE FIXING	
44	097435	WATER FILTER VOLUMETRIC COUNTER	
45	097515	SILICONE HOSE 10X16 BROWN	
46	0V1141	MICROSWITCH	
47	090421	GASKET OR 2025	
48	0V1749	WATER/AIR-BREAK CONNECTION	
49	0V1126	AIR-BREAK FLOAT	
50	094329	HOSE CLIP	
51	251248	ELECTRIC VALVE COVERING	
52	0V2509	UNION L-SHAPE 5X1/8	
53	095529	RUBBER HOLDER UNION 1/8' (BRASS)	
54	094594	GASKET O-RING 2031	
55	094872	BOILER TEMPERATURE PROBE	
56	095624	GASKET O-RING 116 EP851	
57	0V1350	MICROSWITCH SUPPORT	
58	090021	WHIPPING DIAM 10.5 MM	
59	252659	TEFLON PIPE 2.5X5 (A METER)	
60	252538	O-RING 2025	
61	0V3650	BOILER UPPER COVER	
62	0V3651	BOILER LOWER COVER	
63	099748	GASKET	
64	099653	HEATING ELEMENT 1450 W	
65	252651	BOILER SUPPORT	
66	255041	SCREW M6X25	
67	255042	NUT M6	
68	252653	5-ELECTROVALVE UNIT 230V-50HZ	
69	252654	5 ELECTROVALVE 600CC BOILER	
70	099436	ELECTROVALVE SUPPORT	
71	252728	1450W 4ELECTROV. 600CC BOILER	
72	097511	SILICONE HOSE 6X9 BROWN	
73	0V2058	BRACKET WATER CONNECTION	
74	093963	UNION Y-SHAPE DIAM 8 OUTER	
75	098699	UNION FOR PISTON PIPE	
76	098711	BUSH PISTON PIPE	
77	094611	GASKET O-RING 2018	
78	252128	PISTON TUBE	



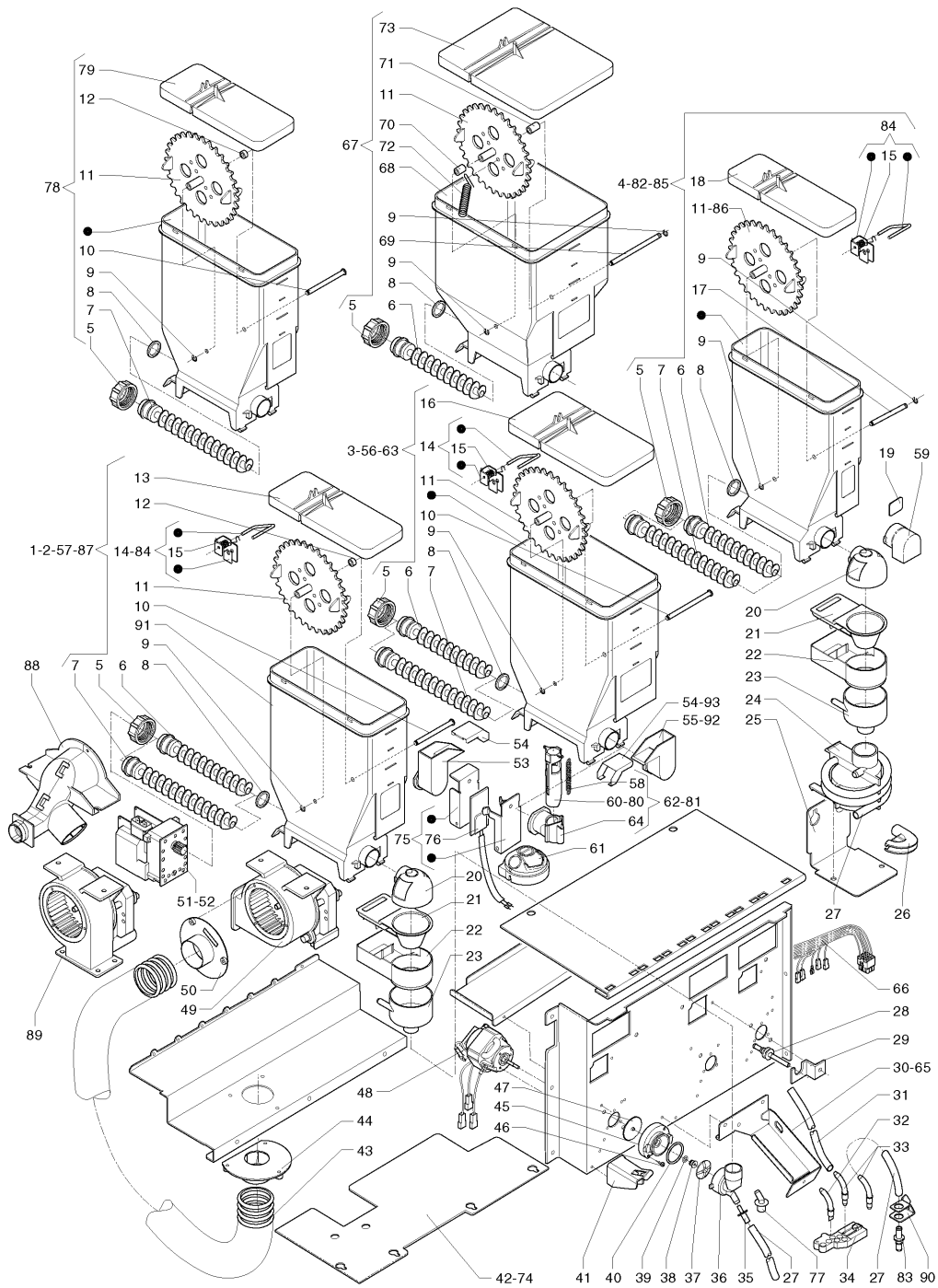
	Code	Description	Notes
1	252267	CUP DISPENSER COMPLETE D.70/71	
2	252270	CUP TRANSLATOR	
3	252273	ASSY. CUP STATION BRACKET	
4	0V4187	CUP RELEASING 70/71	
5	252268	CUPS-CONTAINER	
6	252255	CUP DISPENSER WIRING	
7	987628	EJOT-PT-SCREW 30X8	
8	0V3672	RATIOMOTOR	
9	097807	BUTTON	
10	0V3693	CUP BASE	
11	0V2548	LEVER FOR MICROSWITCH	
12	092439	MICRO TYPE 'CHERRY'	
13	0V2549	MOTOREDUCTOR 3 G/M	UNTIL SERIAL NUMBER 02911212
13	255251	REDUCING GEAR 3RPM 230V-50HZ	FROM SERIAL NUMBER 02911213
14	0V3694	MOTOR GEARMOTOR SUPPORT	
15	0V1931	MICROSWITCH 'UL'	
16	0V3696	SNAIL RING	
17	098305	SCROLL DIAM.70/71	
18	098477	TOOTHED RING	
19	0V3697	MICRO GEAR	
20	0V3695	SNAIL SUPPORT	
21	0V4107	CONTAINER BASE	
22	0V3658	CUP CONTAINER COVER	
23	252254	CUP TRANSLATOR WIRING	
24	986614	NUT FLANGED	
25	252230	TRANSLATOR BASE	
26	096355	MICRO SWITCH -UL -	
27	252228	CAM	
28	0V2543	LEVER SPRING	
29	0V2544	ARM	
30	252258	TRANSLATOR MOTOR	
31	252229	MOTOR COVER	
32	252227	OSCILLATING ARM 70-71	
33	252218	OSCILLATING ARM PIN	
34	252656	KNURL M5	
35	091737	CIRCLIP DIN 6799	
36	252234	WHEEL	
37	252214	PIN	
38	252205	WHEEL SUPPORT	
39	252200	CONNECTORS-SUPPORT	
40	092738	WEDGE BUMPER	
41	252204	BRACKET LOCK-OUT LEVER	
42	090615	COLLAR SCREW	
43	252196	DOUBLE HINGE SUPPORT	
44	0V1636	PLUG D.25	
45	252545	CUP TRANSLATOR 73/74	

	Code	Description	Notes
46	252256	CUP STATION BRACKET WIRING	
47	093916	WHIPPING OVAL	
48	252236	CUPS COLLAR	
49	091959	BENZING COLLAR DIAM MM4	
50	252215	BRACKET PIN	
51	252199	BRACKET HINGE SUPPORT	
52	096904	ELASTIC PLUG 1.5X8	
53	096863	PIVOT WASHER	
54	0V1659	SNAIL W/DIAM. 73-74	
55	252544	CUPS DISTRIBUTOR 73/74	
56	252191	OSCILLATING ARM 73-74	
57	0V4190	CUP RELEASING 73/74	
58	252261	DOUBLE HINGE	



	Code	Description	Notes
1	252269	COMPLET SUGAR/STIRRER DISPENSER	
2	252271	SUGAR/STIRRER DISPENSER	
3	0V2432	POWDERS CANISTER NORMAL SCROLL	
4	099720	STIRRER BAR WEIGHT L=105	
5	090203	STIRRER BAR WEIGHT L=95	
6	252197	90-115 STIRRER COLUMN	
7	252198	STIRRER SELECTION ROD	
8	0V3830	STIRRING GUIDE SQUARE	
9	0V3022	STIRRER CHUTE	
10	098939	ROUND STRAIGHT PIPETTE	
11	0V3657	PIPE COUPLING	
12	098719	PVC PIPE 14X19(A METER)	
13	099375	HOSE COUPLING	
14	099602	SPRING	
15	099610	LEVER	
16	091959	BENZING COLLAR DIAM MM4	
17	098352	STIRRING BARS EJECTING PIN	
18	098853	PASS-WIRE	
19	099607	BODY	
20	099721	SUGAR NOZZLE	
21	098356	SUGAR PIPE	
22	099605	ROD	
23	099616	SPRING	
24	099604	ROLLER	
25	099606	CAM	
26	096355	MICRO SWITCH -UL -	
27	096904	ELASTIC PLUG 1.5X8	
28	0V2949	SUGAR SPOUT PIN	
29	099397	MOTOR REDUCTOR 6G/1 MIN.	
30	099609	COVER	
31	252253	STIRRER DISPENSER WIRING	
32	099608	SUPPORT	
33	0V2410	LID FOR CONTAINER	
34	098812	SPACER	
35	095936	WHEEL	
36	0V1962	PIN FOR WHEEL	
37	0V2277	CONTAINER CASING	
38	095829	GASKET O-RING	
39	098609	SCROLL	
40	095849	CONTAINER RING NUT	
41	0V3673	SUGAR RATIOMOTOR 52 RPM	
42	251643	CONTAINER SHELF	
43	0V4274	SUGAR CONVEYOR ASSY.	
44	093978	SPRING FOR ACTUATOR	
45	252727	SUGAR/STIRRER DISPENSER-105/115-	
46	252034	115 MM STIRRER BAR WEIGHT	

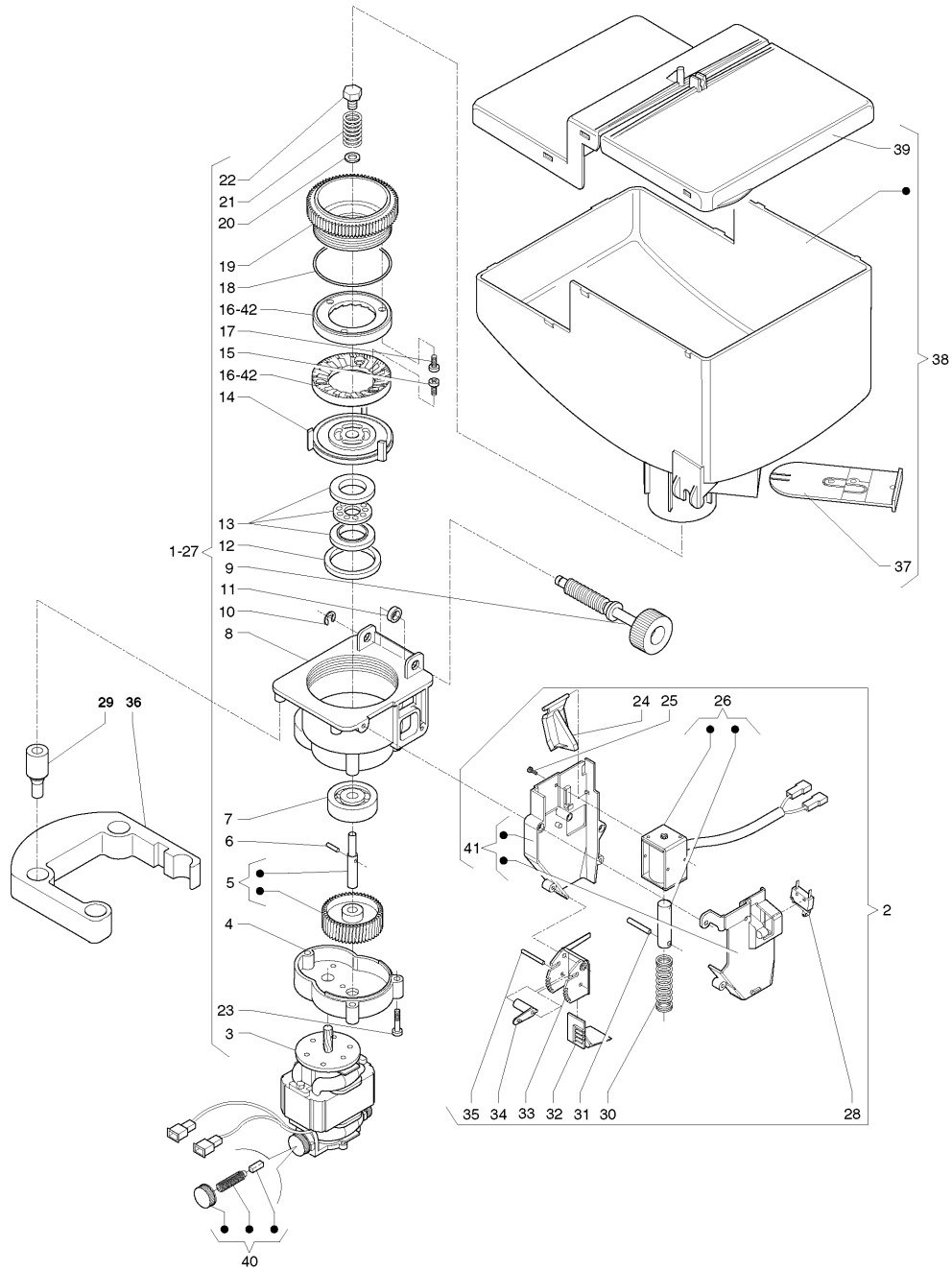
	Code	Description	Notes
47	252863	STIRRER DISPENSER	
48	252864	STIRRER DISPENSER MECHANISM	



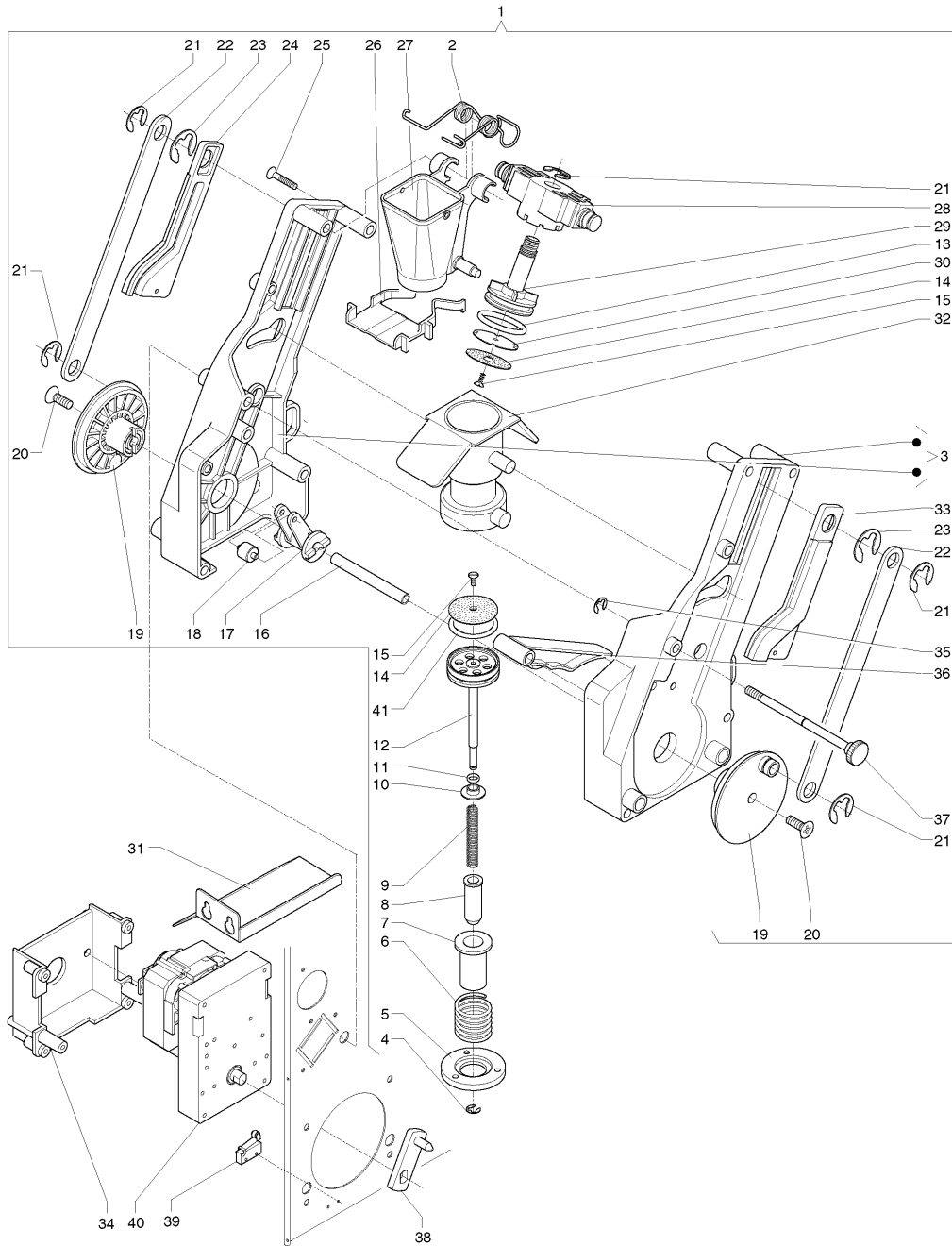
	Code	Description	Notes
1	0V0555	LONG SCROLL CONTAINER WITH BEATER	
2	099334	POWDERS CANISTER	
3	252264	3 LITRE CANISTER COMPLETE	
4	252265	2 LITRE CANISTER COMPLETE	
5	095849	CONTAINER RING NUT	
6	098609	SCROLL	
7	098608	LONG SCROLL	
8	095829	GASKET O-RING	
9	091959	BENZING COLLAR DIAM MM4	
10	0V1962	PIN FOR WHEEL	
11	095936	WHEEL	
12	098812	SPACER	
13	099466	LID FOR CONTAINER	
14	099494	CANISTER-BEATER	
15	099442	SPRING	
16	252275	3 LITRE CANISTER COVER	
17	253369	WHEEL PIN	
18	252276	2 LITRE CANISTER COVER	
19	097502	NAMEPLATE GROUP CONTAINER INSTANT P	
20	252232	MIXER CAP	
21	0V1534	DRAWER COVER	
22	0V1537	SUCTION DRAWER	
23	0V1535	WATER FUNNEL	
24	097923	COIL FOR TEA	
25	251222	COIL SUPPORT FOR TEA	
26	251295	COIL UNION FOR TEA	
27	097511	SILICONE HOSE 6X9 BROWN	
28	099329	FUNNEL NOZZLE D. 3.4	
29	0V1885	NOZZLE SUPPORT	
30	252195	SPOUT SUPPORT	
31	097510	SILICONE HOSE 5X9 BROWN	
32	097953	POINTED NOZZLE	
33	097922	NOZZLE	
34	098067	SUPPORT FOR INSTANT NOZZLES	
35	097914	COFFEE CHOKE	
36	097912	CONVEYOR FOR MIXER	
37	097916	MIXER VENTILATOR	
38	097917	BUSH SEAL	
39	099880	GASKET	
40	094540	GASKET O-RING 3125	
41	253305	BRACKET CLOSING SUPPORT	
42	252201	MIXER PROTECTION	
43	096459	HOSE DIAM 32	
44	252243	VENTILATOR PIPE CONNECTION CUT	
45	097911	FLANGE FOR MIXER	
46	255046	SCREW M3.5X8	

	Code	Description	Notes
47	099889	DISK	
48	098808	MOTORMIXER	
49	098583	ELECTROVENTILATOR	
50	098703	VENTILATOR PIPE CONNECTION D38	
51	0V3725	RATIOMOTOR 52 RPM	
52	0V3726	RATIOMOTOR 78 RPM	
52	250004	RATIOMOTOR 138 RPM	
53	0V2070	RH POWDER FEEDER	
54	0V2076	SHORT CONVEYOR COVER	
55	0V2072	LH POWDER FEEDER L=38	
56	252515	LONG SCROLL 3L.CANISTER+BEATER	
57	099857	CONTAINER COMPLET WITH BEATER	
58	252540	SPRING	
59	096868	SQUARE STRAIGHT PIPETTE	
60	252367	BENT PIPETTE	
61	252369	MIXER COVER	
62	252546	COMPLETE BENT OPENING	
63	252352	3 LITRE CANISTER+BEATER	
64	252366	CONTAINER OPENING	
65	252329	IN-F.B. SPOUT SUPPORT	
66	252346	FB-IN MIXER BRACKET WIRING	
67	0V1433	DOUBLE CONTAINER ASSY.	
68	0V2456	CONTAINER BASE	
69	0V0161	PIN FOR WHEEL	
70	0V0163	LEFT SPACER	
71	0V0164	RIGHT SPACER	
72	0V0165	SPRING	
73	0V0421	COVER	
74	252567	MIXER PROTECTION-INSTANT-	
75	252646	CONVEYOR HEATER ASSY.	
76	252645	24 VOLT 4 WATT RESISTANCE	
77	097913	ELBOW FOR MIXER	
78	252581	LONG AUGER CONTAINER COMPLET	
79	0V2410	LID FOR CONTAINER	
80	252368	STRAIGHT PIPETTE	
81	252687	STRAIGHT PIPETTE ASSY.	
82	252726	LONG SCROLL 2 LITRE CANISTER	
83	0V2058	BRACKET WATER CONNECTION	
84	252772	2 LITRE CANISTER BEATER	
85	252773	2 LITRE CANISTER+BEATER	
86	252774	2L CANISTER TOOTHED WHEEL	
87	099335	POWDERS CANISTER LONG SCROLL	
88	252914	FAN CONVEYOR	
89	252913	230V ELECTRIC FAN	
90	253241	WATER NOZZLE SUPPORT	
91	0V2277	CONTAINER CASING	

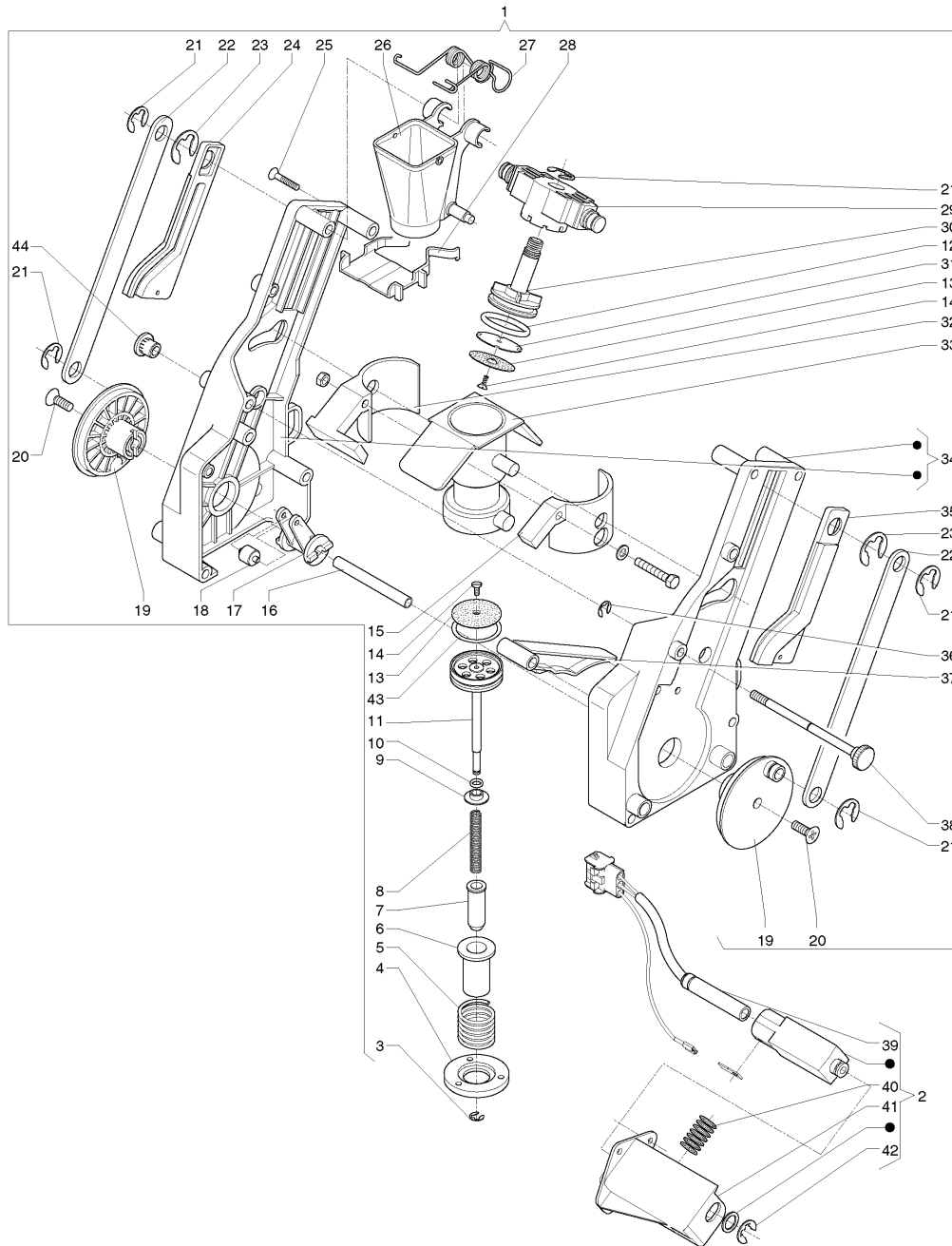
	Code	Description	Notes
92	098813	LEFT CONVEYOR L=55	
93	099803	LONG CONVEYOR COVER	



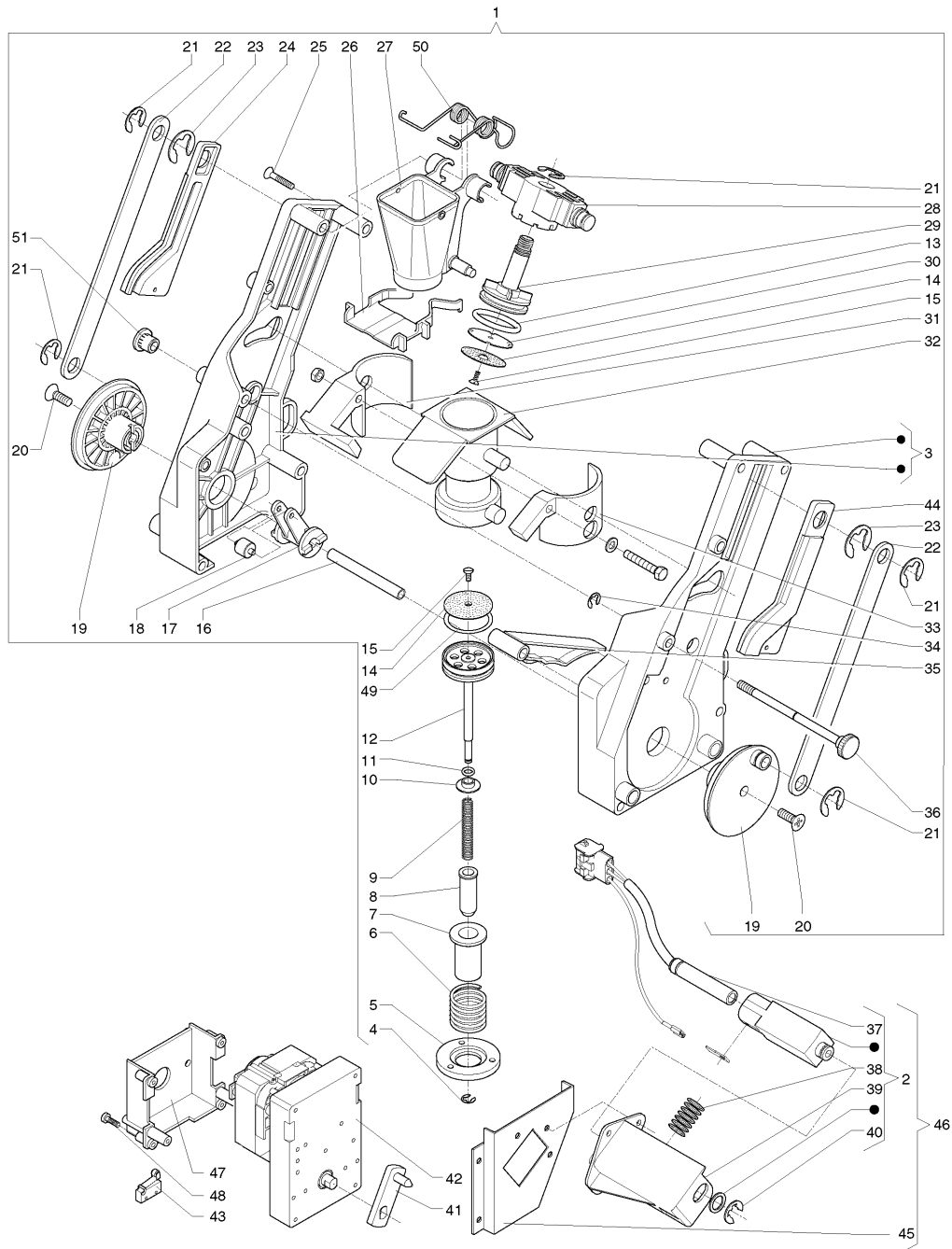
	Code	Description	Notes
1	099336	GRINDER	
1	0V0448	GRINDER 60 HZ	
2	099337	COFFEE DOSER	
2	099337	COFFEE DOSER	
3	099732	GRINDER MOTOR	
3	0V0451	GRINDER MOTOR 60 HZ	
4	099468	SUPPORT	
5	099470	SHAFT WHEEL	
6	098293	ELASTIC PLUG	
7	095803	RADIAL BEARING	
8	099469	CAP	
9	099474	REGULATION SCREW	
10	093171	OUTER FIXING COLLAR DIAM MM6	
11	099457	WASHER	
12	093271	COFFEE JUNK RING	
13	093187	THRUST BEARING	
14	095802	GRINDER HOLDER IMPELLER	
15	255032	TREFOIL SCREW M4X10	
16	095840	GRINDER	
17	255033	SELF-TAPPING SCREW 4X10	
18	095805	GASKET O-RING	
19	099473	GRINDER HOLDER	
20	096988	WASHER	
21	099471	SPRING	
22	099472	LEFT SCREW	
23	255031	SELF-TAPPING SCREW 4.2X26	
24	099475	ACTUATOR	
25	092657	CLOSS SLOT SCREW 3X6TC	
26	098716	ELECTROMAGNET 220V	
26	098716	ELECTROMAGNET 220V	
27	251493	PLUS GRINDER	
28	0V2131	BURGESS MICRO-SWITCH	
29	099484	LITTLE RUBBER	
30	098696	SPRING DOSER ELECTROMAGNET	
31	093832	ROD PIVOT	
32	098643	RULE COFFEE-DOSES	
33	098642	SHUTTER COFFEE-DOSER	
34	098644	LEVER FOR RULE	
35	098822	PIN FOR LEVER	
36	0V2628	INSULATOR	
37	098630	ROLL-UP FOR CONTAINER	
38	252266	COFFEE CANISTER	
39	252219	COFFEE CONTAINER LID	
40	0V3229	MOTORBRUSH KIT	
41	251128	COFFEE DOSER-BODY	
42	253294	GRINDER PLUS	



	Code	Description	Notes
1	251687	COFFEE-GROUP Z3000	
2	252277	SCRAPER SPRING	
3	251101	RH-LH SUPPORT	
4	098818	STOPPING RING D.4	
5	098569	FLANGE FOR SPRING	
6	098689	PREINFUSION SPRING	
7	098567	LID FOR SPRING	
8	098691	LOWER PISTON GUIDE	
9	098688	PISTON RETURN SPRING	
10	098690	CONTROL BUSH	
11	090421	GASKET OR 2025	
12	099490	LOWER PISTON	
13	093167	SILICONE GASKET OR 4118 .	
14	098687	COFFEE FILTER	
15	255047	SCREW M3X10 -INOX-	
16	098693	ROD CRANK BLOCKING	
17	098574	ROTATING LEVER	
18	098692	ROTATING LEVER ROLL	
19	098573	CRANK	
20	0V3889	SCREW 6X14	
21	092717	FIXING COLLAR DIAM MM10	
22	098565	TRACE FOR PISTON COMMAND	
23	096569	FIXING COLLAR DIAM 12	
24	098571	REAR SLEDGE	
25	255031	SELF-TAPPING SCREW 4.2X26	
26	251740	COFFEE SCRAPER	
27	251739	Z3000 COFFEE CHUTE	
28	098568	CROSS-BAR	
29	098577	UPPER PISTON	
30	0V1789	WATER DEFLECTOR	
31	252202	COFFEE MOTOR PROTECTION	
32	0V1715	BREWING CHAMBER W/PLUG	
33	098572	FRONT SLEDGE	
34	098566	MOTOREDUCER SUPPORT	
35	091287	OUTER FIXING COLLAR	
36	098575	OSCILLATING LEVER	
37	252020	TIEROD WITH KNURLED NUT	
38	098763	CRANK WITH PIN	
39	096355	MICRO SWITCH -UL -	
40	098708	MOTOREDUCER	
41	253411	GASKET O-RING 4112	



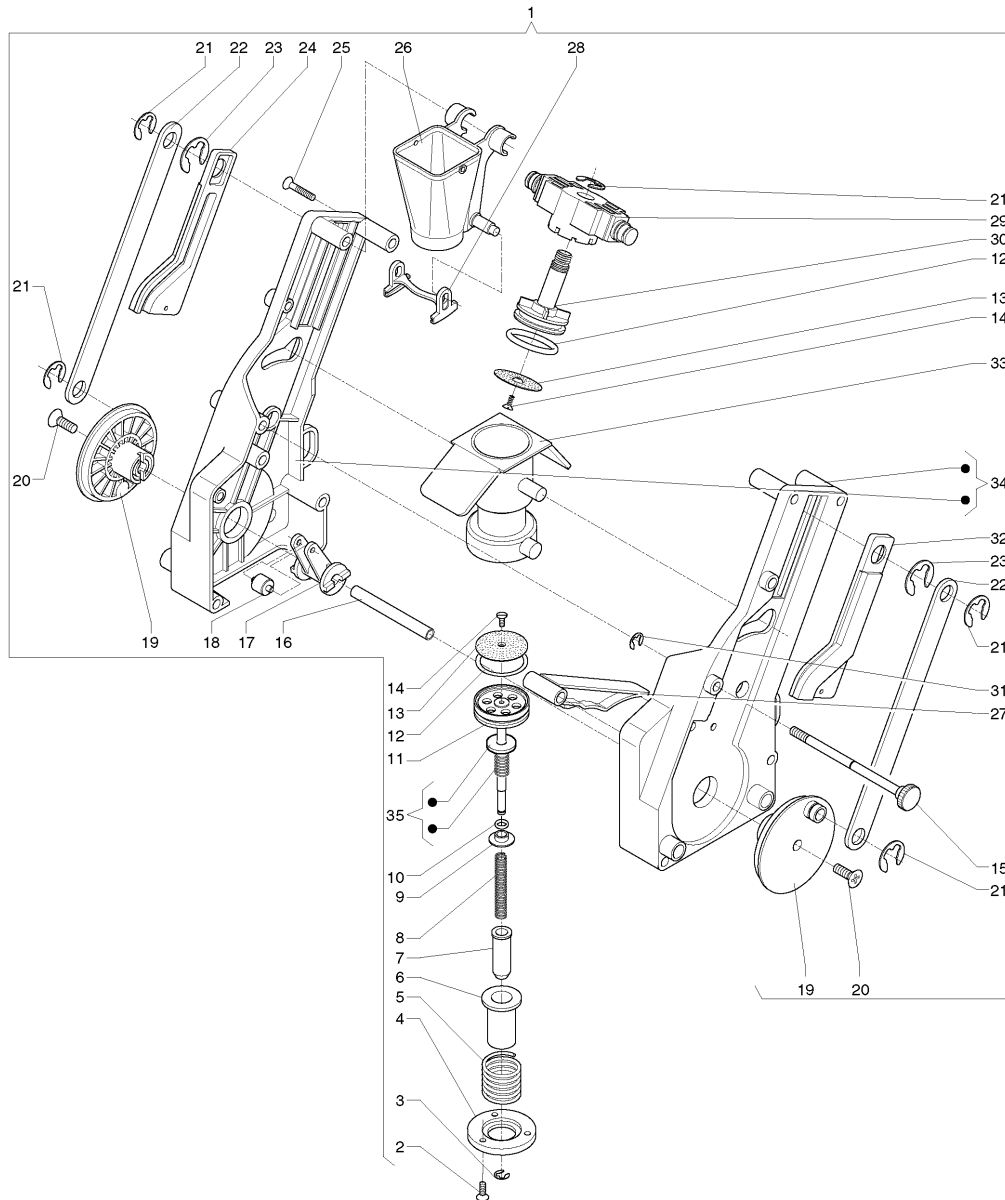
	Code	Description	Notes
1	252506	Z3000 WITH HEATER(OPEN DURING STAND-BY POSITION)	
2	0V1783	Z2000M HEATER WITH SUPPORT	
3	098818	STOPPING RING D.4	
4	098569	FLANGE FOR SPRING	
5	098689	PREINFUSION SPRING	
6	098567	LID FOR SPRING	
7	098691	LOWER PISTON GUIDE	
8	098688	PISTON RETURN SPRING	
9	098690	CONTROL BUSH	
10	090421	GASKET OR 2025	
11	099490	LOWER PISTON	
12	093167	SILICONE GASKET OR 4118 .	
13	098687	COFFEE FILTER	
14	255047	SCREW M3X10 -INOX-	
15	0V1784	FRONT PANEL	
16	098693	ROD CRANK BLOCKING	
17	098574	ROTATING LEVER	
18	098692	ROTATING LEVER ROLL	
19	098573	CRANK	
20	0V3889	SCREW 6X14	
21	092717	FIXING COLLAR DIAM MM10	
22	098565	TRACE FOR PISTON COMMAND	
23	096569	FIXING COLLAR DIAM 12	
24	098571	REAR SLEDGE	
25	255031	SELF-TAPPING SCREW 4.2X26	
26	251739	Z3000 COFFEE CHUTE	
27	252277	SCRAPER SPRING	
28	251740	COFFEE SCRAPER	
29	098568	CROSS-BAR	
30	098577	UPPER PISTON	
31	0V1789	WATER DEFLECTOR	
32	0V1785	REAR PANEL	
33	0V1715	BREWING CHAMBER W/PLUG	
34	251101	RH-LH SUPPORT	
35	098572	FRONT SLEDGE	
36	091287	OUTER FIXING COLLAR	
37	098575	OSCILLATING LEVER	
38	252020	TIEROD WITH KNURLED NUT	
39	0V1786	25 WATT 110/265 V RESISTOR	
40	0V1788	CONTACT SPRING	
41	0V1787	SUPPORT	
42	987948	LOCKING WASHER	
43	253411	GASKET O-RING 4112	
44	253655	SPACER BUSH	



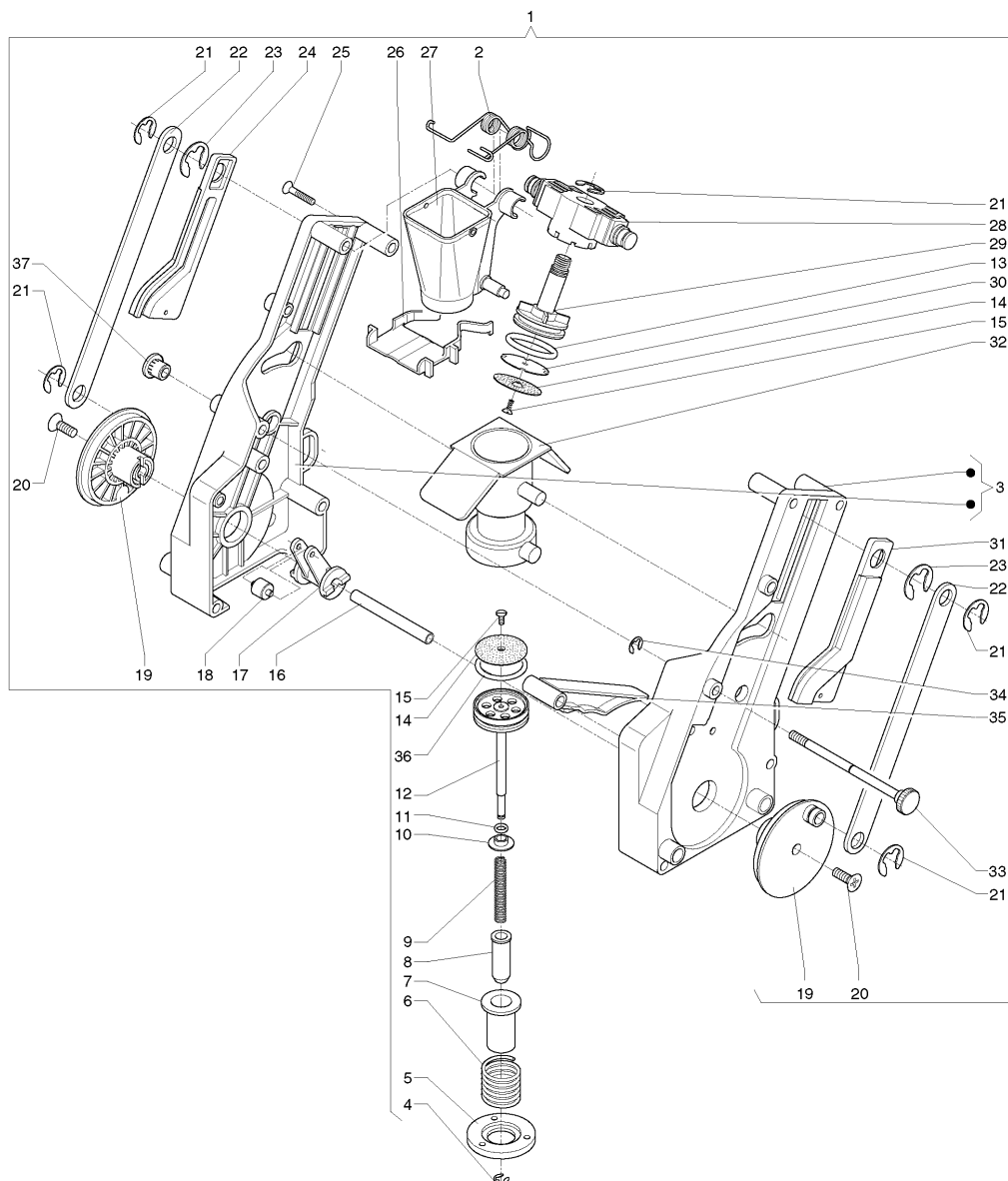
12 - Coffee unit Z3000 with heater (closed during stand-by position) Updating: September 2008

	Code	Description	Notes
1	251492	Z3000 COFFEE UNIT WITH HEATER	
2	0V1783	Z2000M HEATER WITH SUPPORT	
3	251101	RH-LH SUPPORT	
4	098818	STOPPING RING D.4	
5	098569	FLANGE FOR SPRING	
6	098689	PREINFUSION SPRING	
7	098567	LID FOR SPRING	
8	098691	LOWER PISTON GUIDE	
9	098688	PISTON RETURN SPRING	
10	098690	CONTROL BUSH	
11	090421	GASKET OR 2025	
12	099490	LOWER PISTON	
13	093167	SILICONE GASKET OR 4118 .	
14	098687	COFFEE FILTER	
15	255047	SCREW M3X10 -INOX-	
16	098693	ROD CRANK BLOCKING	
17	098574	ROTATING LEVER	
18	098692	ROTATING LEVER ROLL	
19	098573	CRANK	
20	0V3889	SCREW 6X14	
21	092717	FIXING COLLAR DIAM MM10	
22	098565	TRACE FOR PISTON COMMAND	
23	096569	FIXING COLLAR DIAM 12	
24	098571	REAR SLEDGE	
25	255031	SELF-TAPPING SCREW 4.2X26	
26	251740	COFFEE SCRAPER	
27	251739	Z3000 COFFEE CHUTE	
28	098568	CROSS-BAR	
29	098577	UPPER PISTON	
30	0V1789	WATER DEFLECTOR	
31	251486	Z3000 REAR PANEL	
32	0V1715	BREWING CHAMBER W/PLUG	
33	0V1784	FRONT PANEL	
34	091287	OUTER FIXING COLLAR	
35	098575	OSCILLATING LEVER	
36	252020	TIEROD WITH KNURLED NUT	
37	0V1786	25 WATT 110/265 V RESISTOR	
38	0V1788	CONTACT SPRING	
39	0V1787	SUPPORT	
40	987948	LOCKING WASHER	
41	098763	CRANK WITH PIN	
42	098708	MOTOREDUCER	
43	096355	MICRO SWITCH -UL -	
44	098572	FRONT SLEDGE	
45	251487	HEATER SUPPORT	
46	251928	HEATER SUPPORT	

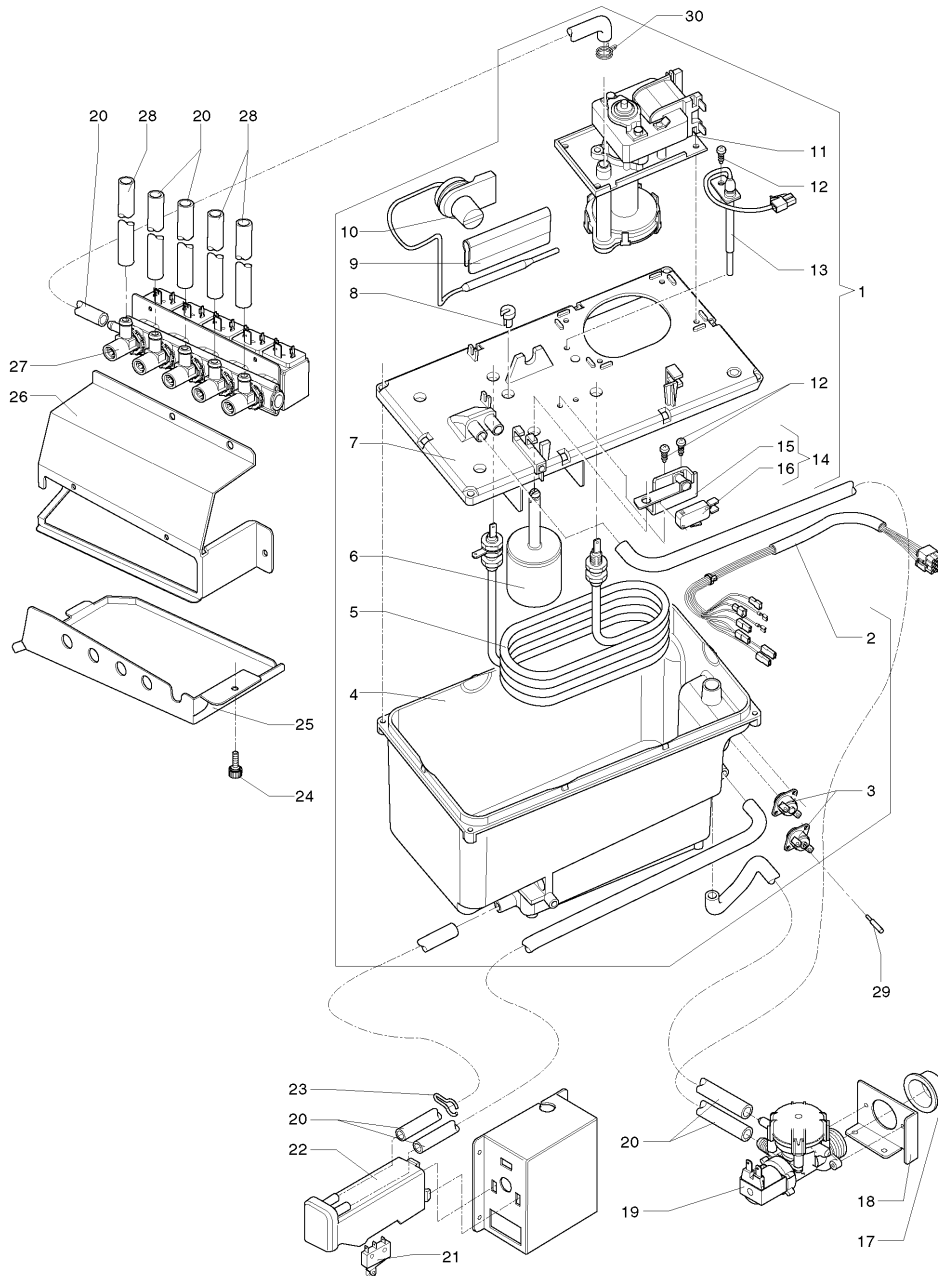
	Code	Description	Notes
47	098566	MOTOREDUCER SUPPORT	
48	255034	PLAIN TIP SELF-TAPPING SCREW 4X12	
49	253411	GASKET O-RING 4112	
50	252277	SCRAPER SPRING	
51	253655	SPACER BUSH	



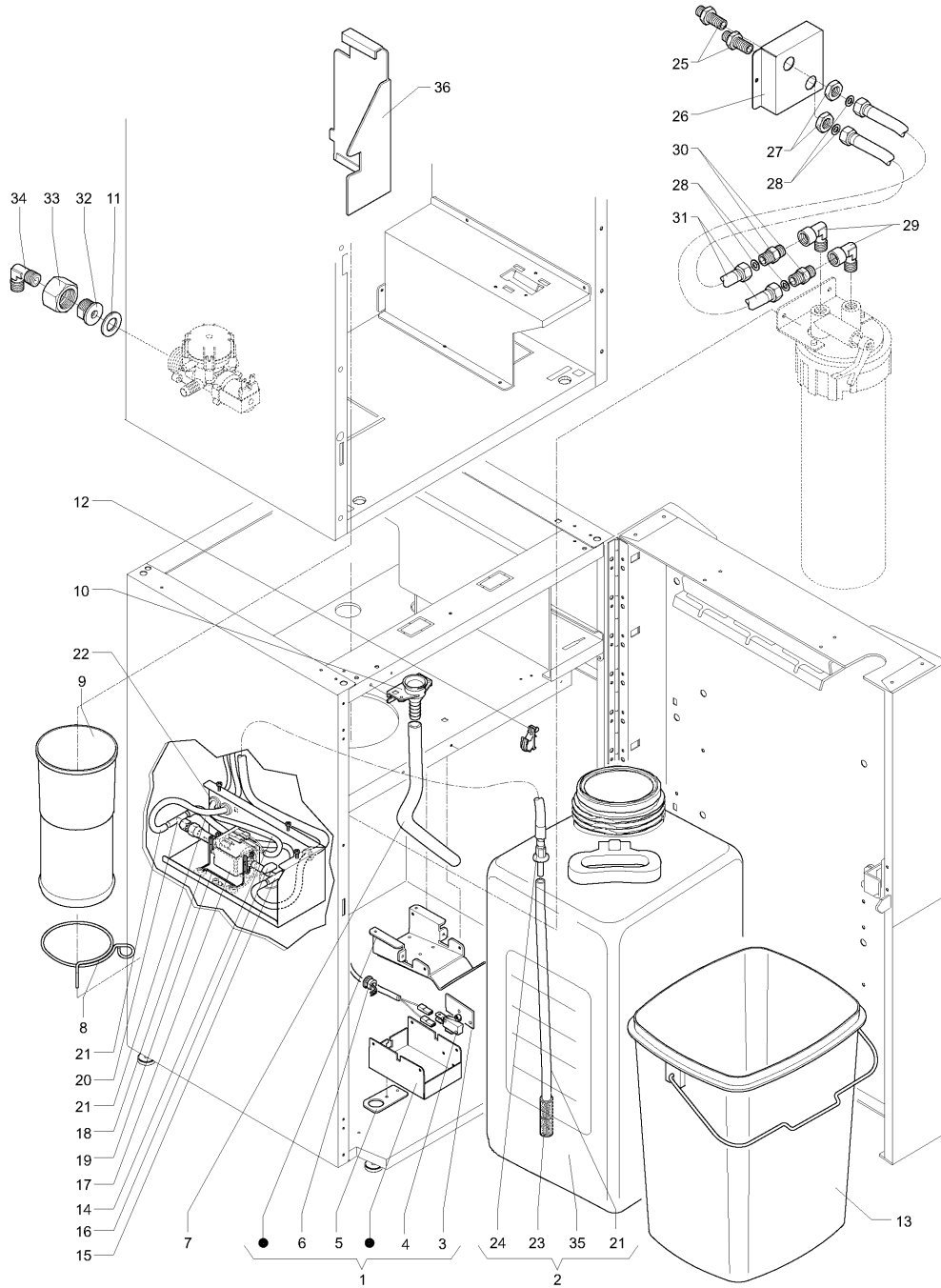
	Code	Description	Notes
1	251753	Z3000L COFFEE ASSEMBLY	
2	255033	SELF-TAPPING SCREW 4X10	
3	098818	STOPPING RING D.4	
4	098569	FLANGE FOR SPRING	
5	098689	PREINFUSION SPRING	
6	098567	LID FOR SPRING	
7	098691	LOWER PISTON GUIDE	
8	098688	PISTON RETURN SPRING	
9	251756	RETAINER BUSHING	
10	090421	GASKET OR 2025	
11	251759	LOWER PISTON	
12	251757	SILICONE OR SEAL GASKET	
13	251755	DIAM. 42 COFFEE FILTER	
14	094508	SCREW TS M4X10	
15	252020	TIEROD WITH KNURLED NUT	
16	098693	ROD CRANK BLOCKING	
17	098574	ROTATING LEVER	
18	098692	ROTATING LEVER ROLL	
19	252491	COFFEE GROUP CRANK	
20	0V3889	SCREW 6X14	
21	092717	FIXING COLLAR DIAM MM10	
22	098565	TRACE FOR PISTON COMMAND	
23	096569	FIXING COLLAR DIAM 12	
24	098571	REAR SLEDGE	
25	255031	SELF-TAPPING SCREW 4.2X26	
26	251739	Z3000 COFFEE CHUTE	
27	098575	OSCILLATING LEVER	
28	251761	COFFEE SCRAPER	
29	098568	CROSS-BAR	
30	251758	UPPER PISTON	
31	091287	OUTER FIXING COLLAR	
32	098572	FRONT SLEDGE	
33	251760	OVERSIZE INFUSION CHAMBER	
34	251101	RH-LH SUPPORT	
35	253502	PISTON VALVE + SPRING	



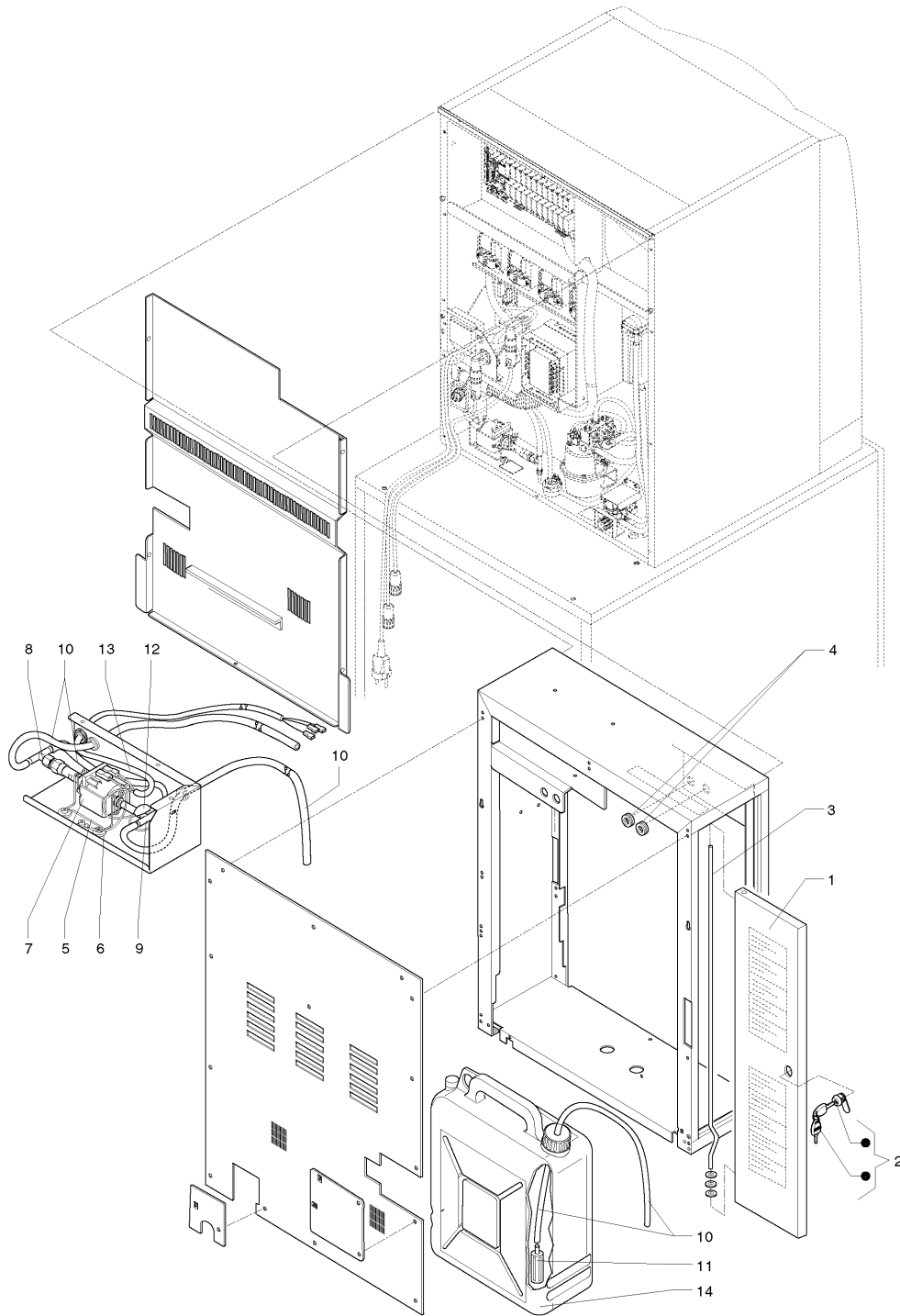
	Code	Description	Notes
1	253235	Z3000 TEA UNIT -TURKISH-	
2	252277	SCRAPER SPRING	
3	251101	RH-LH SUPPORT	
4	098818	STOPPING RING D.4	
5	098569	FLANGE FOR SPRING	
6	098689	PREINFUSION SPRING	
7	098567	LID FOR SPRING	
8	098691	LOWER PISTON GUIDE	
9	098688	PISTON RETURN SPRING	
10	098690	CONTROL BUSH	
11	090421	GASKET OR 2025	
12	099490	LOWER PISTON	
13	093167	SILICONE GASKET OR 4118 .	
14	098687	COFFEE FILTER	
15	255047	SCREW M3X10 -INOX-	
16	098693	ROD CRANK BLOCKING	
17	098574	ROTATING LEVER	
18	098692	ROTATING LEVER ROLL	
19	098573	CRANK	
20	0V3889	SCREW 6X14	
21	092717	FIXING COLLAR DIAM MM10	
22	098565	TRACE FOR PISTON COMMAND	
23	096569	FIXING COLLAR DIAM 12	
24	098571	REAR SLEDGE	
25	255031	SELF-TAPPING SCREW 4.2X26	
26	251740	COFFEE SCRAPER	
27	251739	Z3000 COFFEE CHUTE	
28	098568	CROSS-BAR	
29	098577	UPPER PISTON	
30	0V1789	WATER DEFLECTOR	
31	098572	FRONT SLEDGE	
32	0V1715	BREWING CHAMBER W/PLUG	
33	252020	TIEROD WITH KNURLED NUT	
34	091287	OUTER FIXING COLLAR	
35	098575	OSCILLATING LEVER	
36	253411	GASKET O-RING 4112	
37	253655	SPACER BUSH	



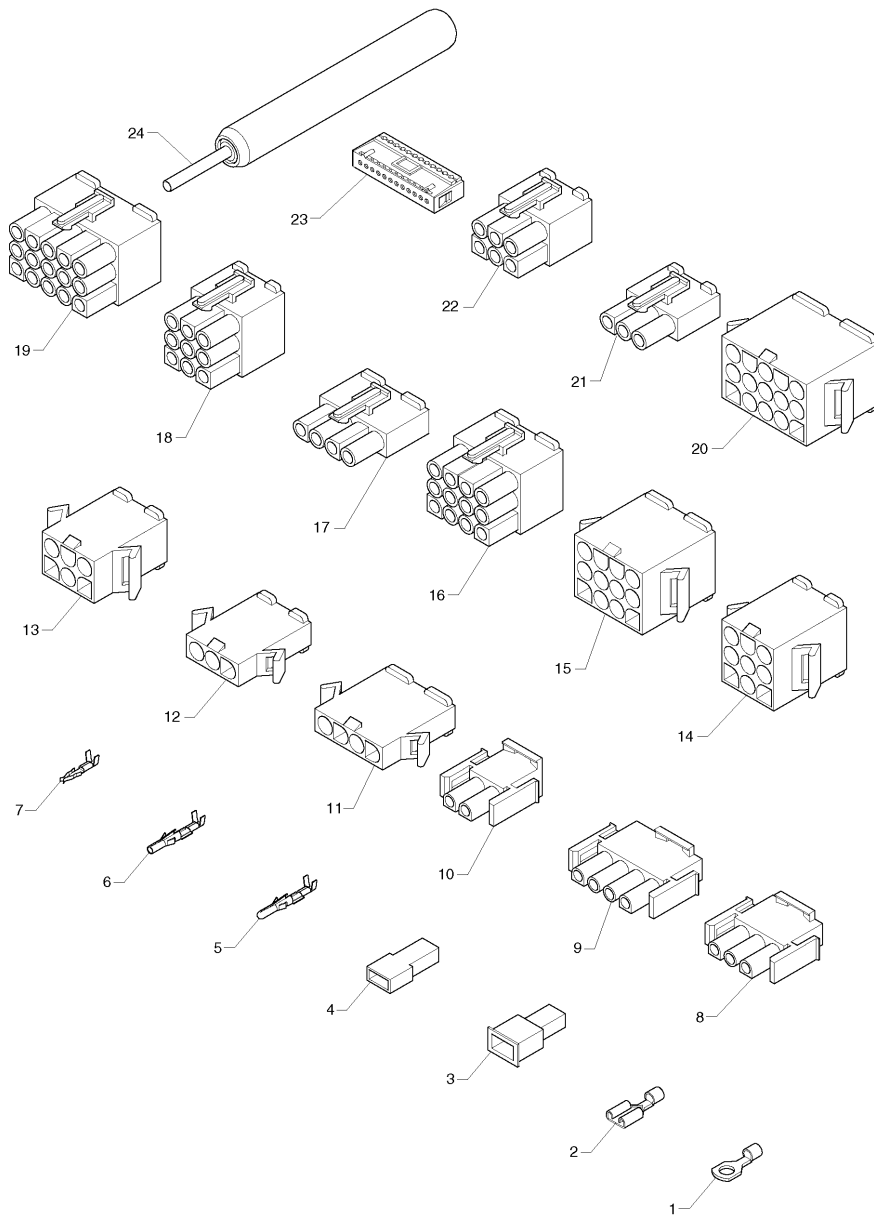
	Code	Description	Notes
1	252578	INSTANT-BOILER COMPLET	
2	251887	F.B. BOILER BRACKET WIRING	
3	251890	ANTI-BOIL THERMOSTAT	
4	251803	BOILER TANK	
5	251884	2200 WATT RESISTANCE	
6	251810	FLOAT	
7	251804	BOILER COVER	
8	099844	GASKET	
9	251824	THERMOSTAT BULB CARRIER	
10	251891	BULB THERMOSTAT	
11	251823	CENTRIFUGAL PUMP	
12	255034	PLAIN TIP SELF-TAPPING SCREW 4X12	
13	251892	PROBE	
14	252580	LEVEL MONITORING SYSTEM	
15	252579	MICRO-SWITCH CARRIER PLATE	
16	251889	SAIA MICRO-SWITCH	
17	099815	STOPPER	
18	099436	ELECTROVALVE SUPPORT	
19	253818	WATER INLET ELECTROVALVE 220V + WIRING	
20	097512	SILICONE HOSE 6X12 BROWN	
21	0V1930	MICROSWITCH 'UL'	
22	0V1350	MICROSWITCH SUPPORT	
23	092703	TUBE CLAMP	
24	096977	KNURL	
25	252350	ELECTROVALVES BOX	
26	252330	5 ELECTROVALVES-SUPPORT	
27	252349	5-ELECTROVALVE UNIT	
28	097511	SILICONE HOSE 6X9 BROWN	
29	0V2074	THERMOSTAT ACTUATOR	
30	095515	HOSE CLIP DIAM 14	



	Code	Description	Notes
1	252188	GROUNDS BUCKET SUPPORT ASSY.	
2	0V3271	20 LITRE CAN ASSY.	
3	090681	INSULATING DISK	
4	0V1927	MICROSWITCH 'UL'	
5	252184	GROUNDS TUBE RUNNER	
6	098489	PASS-WIRE	
7	098800	TRANSPARENT HOSE (PER METER)	
8	094048	BAG LOCK COLLAR	
9	0V3698	USED DOSE DISCHARGE PIPE	
10	250468	TRAY FUNNEL	
11	092364	UNION GASKET 3/4	
12	098459	WIRE-CLIP	
13	254569	BLUE GROUND BUCKET	
14	0V2653	SELF-FEEDING PUMP WIRING	
15	094231	UNION T-SHAPE	
16	0V1301	110 DEGREES THERMAL OVERLOAD	
17	098760	PUMP (VIBRATION)	
18	093091	PUMP DAMPER	
19	098697	PUMP SUPPORT	
20	099528	BY-PASS PUMP (2 BAR)	
21	097512	SILICONE HOSE 6X12 BROWN	
22	090021	WHIPPING DIAM 10.5 MM	
23	091536	BOTTOM VALVE	
24	0V3272	UNION	
25	0V2199	UNION 1/4	
26	0V4252	CONNECTIONS SUPPORT	
27	092652	LOCK NUT 1/4 REV	
28	094597	COPPER WASHER	
29	252724	UNION L-SHAPE 3/8	
30	092535	TERMINAL MALE	
31	097378	CONNECTION PIPE	
32	093952	WATER INLET CONNECTION NIPPLE	
33	093951	TIGHTENING NUT G 3/4	
34	094334	INTERMEDIATE ELBOW LINK	
35	252855	20 LITRE CAN	
36	253210	CAPSULE CONVEYOR	



	Code	Description	Notes
1	252649	REAR MODULE DOOR	
2	252189	LOCK 'MERONI'	
3	252650	DOOR PIN	
4	090021	WHIPPING DIAM 10.5 MM	
5	098697	PUMP SUPPORT	
6	093091	PUMP DAMPER	
7	098760	PUMP (VIBRATION)	
8	099528	BY-PASS PUMP (2 BAR)	
9	094231	UNION T-SHAPE	
10	097512	SILICONE HOSE 6X12 BROWN	
11	091536	BOTTOM VALVE	
12	0V1301	110 DEGREES THERMAL OVERLOAD	
13	0V2653	SELF-FEEDING PUMP WIRING	
14	099523	WATER CANISTER 20L	



	Code	Description	Notes
1	090957	EYELET TERMINAL	
2	090959	FASTON W/O TONGUE	
3	091192	FASTON COVER	
4	090247	FEMALE FASTON COVER	
5	095955	TERMINAL MALE	
6	096136	TERMINAL FEMALE	
7	094405	TERMINAL FEMALE 2.5	
8	094954	FEMALE HOLDER CONNECTOR 3-WAYS	
9	098062	4-WAY CONNECTOR MATE-N-LOK AMP	
10	094955	FEMALE HOLDER CONNECTOR 2-WAYS	
11	0V0809	4-PIN CONNECTOR/P MOLEX 3191	
12	0V0808	3-PIN CONNECTOR/P MOLEX 3191	
13	0V0810	6-PIN CONNECTOR/P MOLEX 3191	
14	0V0811	9-PIN CONNECTOR/P MOLEX 3191	
15	0V0812	12-PIN CONNECTOR/P MOLEX 3191	
16	0V0818	12-PIN CONNECTOR/P MOLEX 3191	
17	0V0815	4-PIN CONNECTOR/P MOLEX 3191	
18	0V0817	9-PIN CONNECTOR/P MOLEX 3191	
19	0V0819	15-PIN CONNECTOR/P MOLEX 3191	
20	0V0813	15-PIN CONNECTOR/P MOLEX 3191	
21	0V0814	3-PIN CONNECTOR/P MOLEX 3191	
22	0V0816	6-PIN CONNECTOR/P MOLEX 3191	
23	094961	FEMALE HOLDER CONNECTOR P.I. 12-W	
24	0V0820	MOLEX CONTACT PULLER	