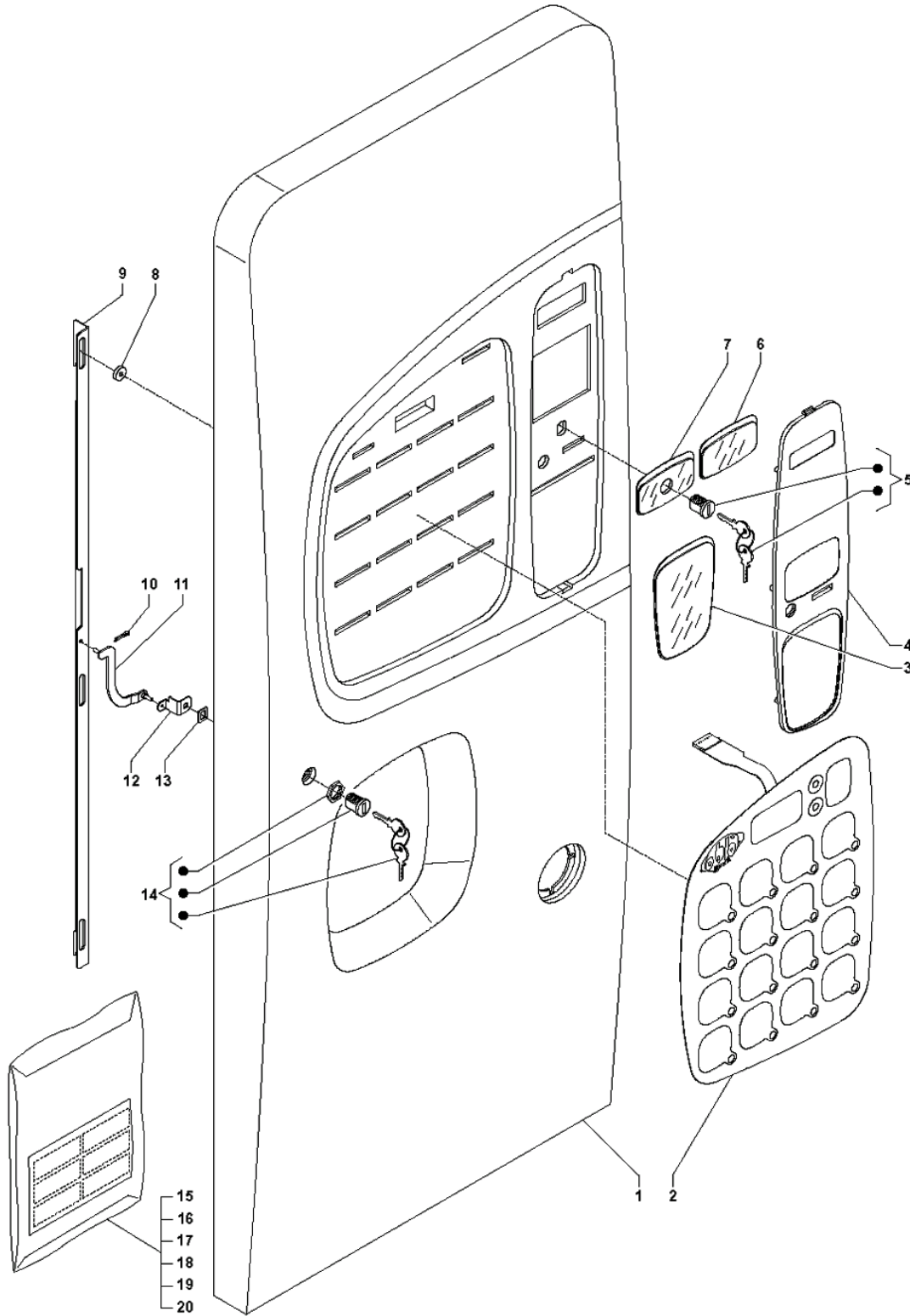
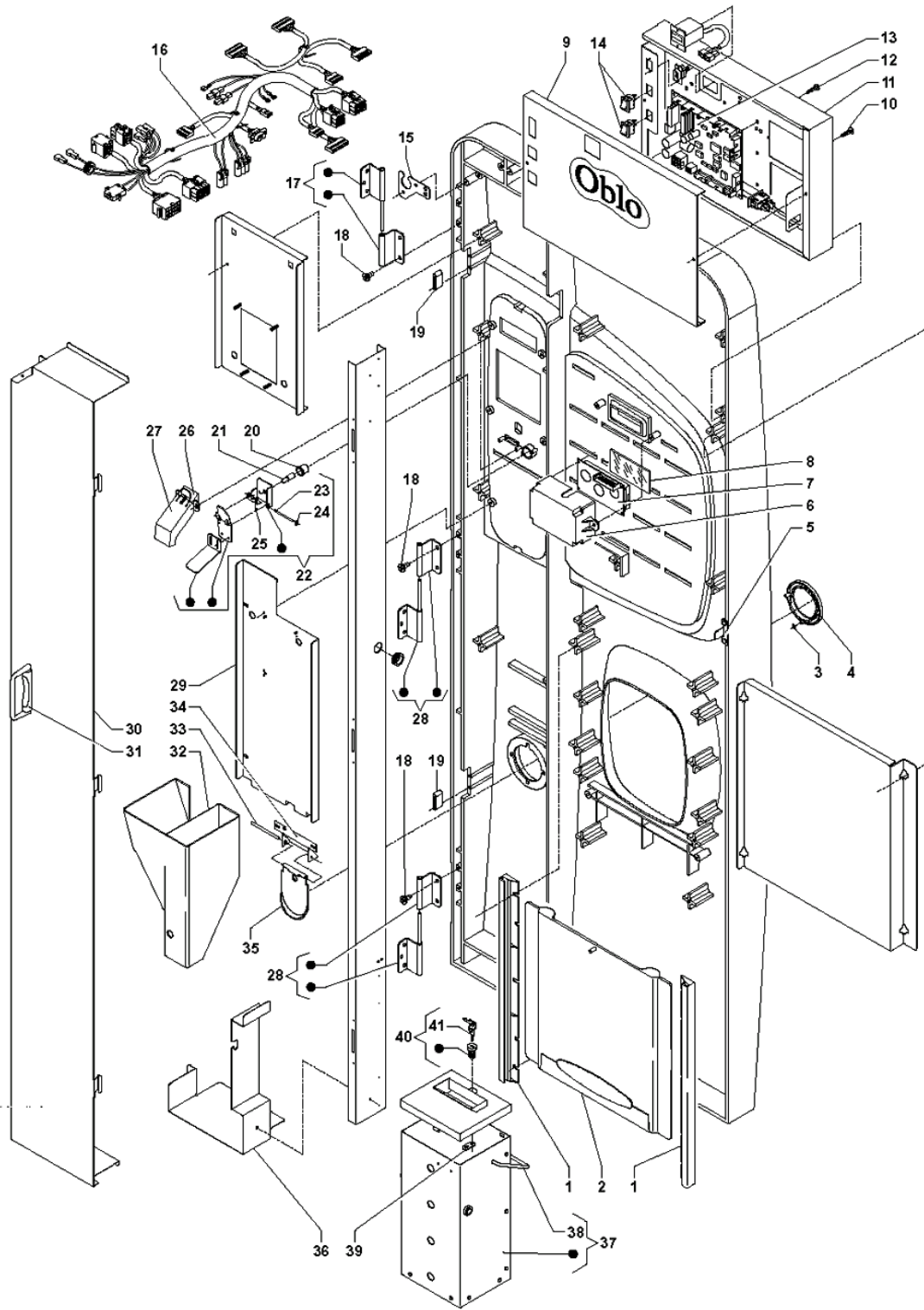


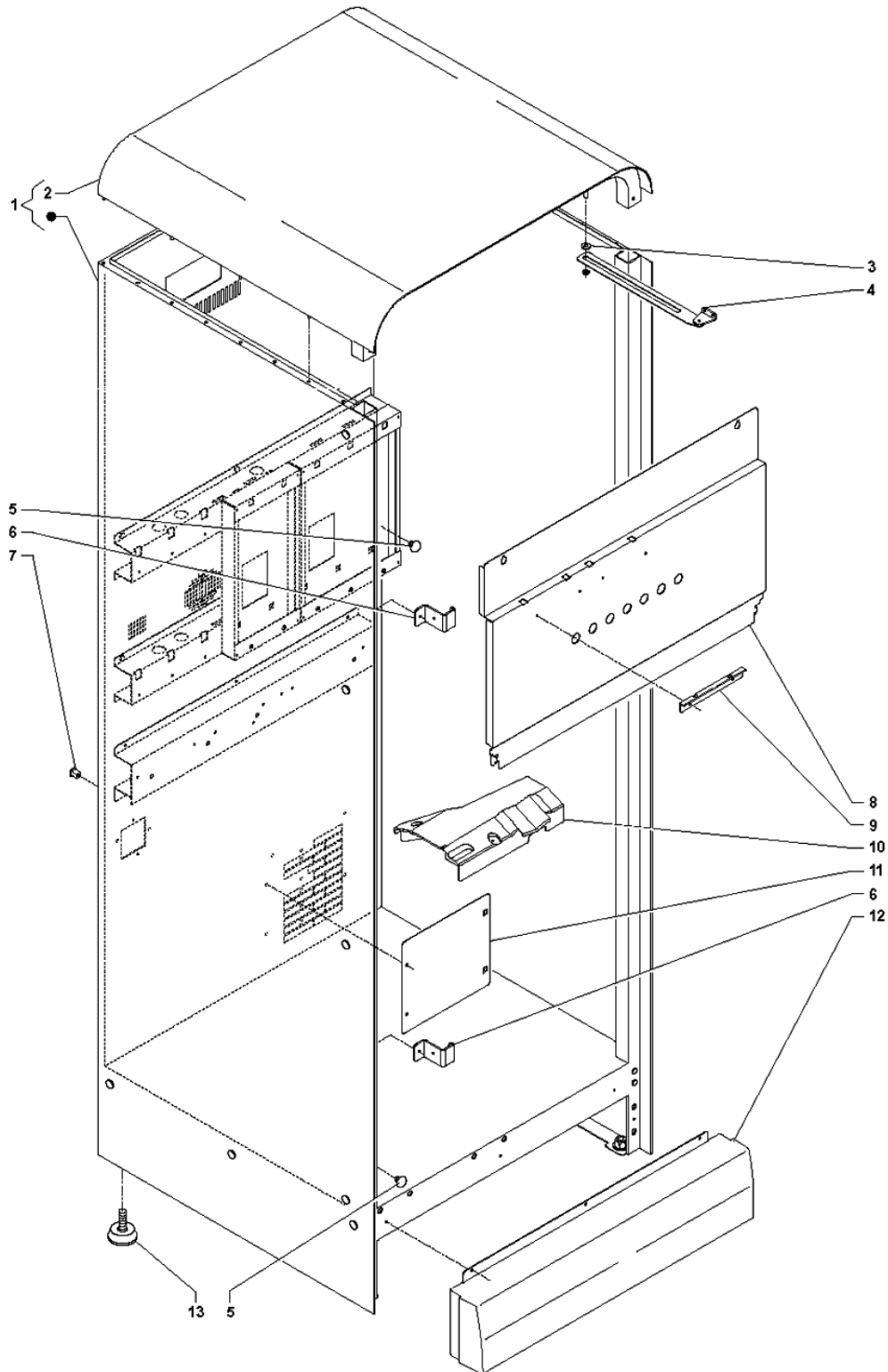
OBLO' - ESPRESSO - INSTANT - 220 VOLT - 50 HZ



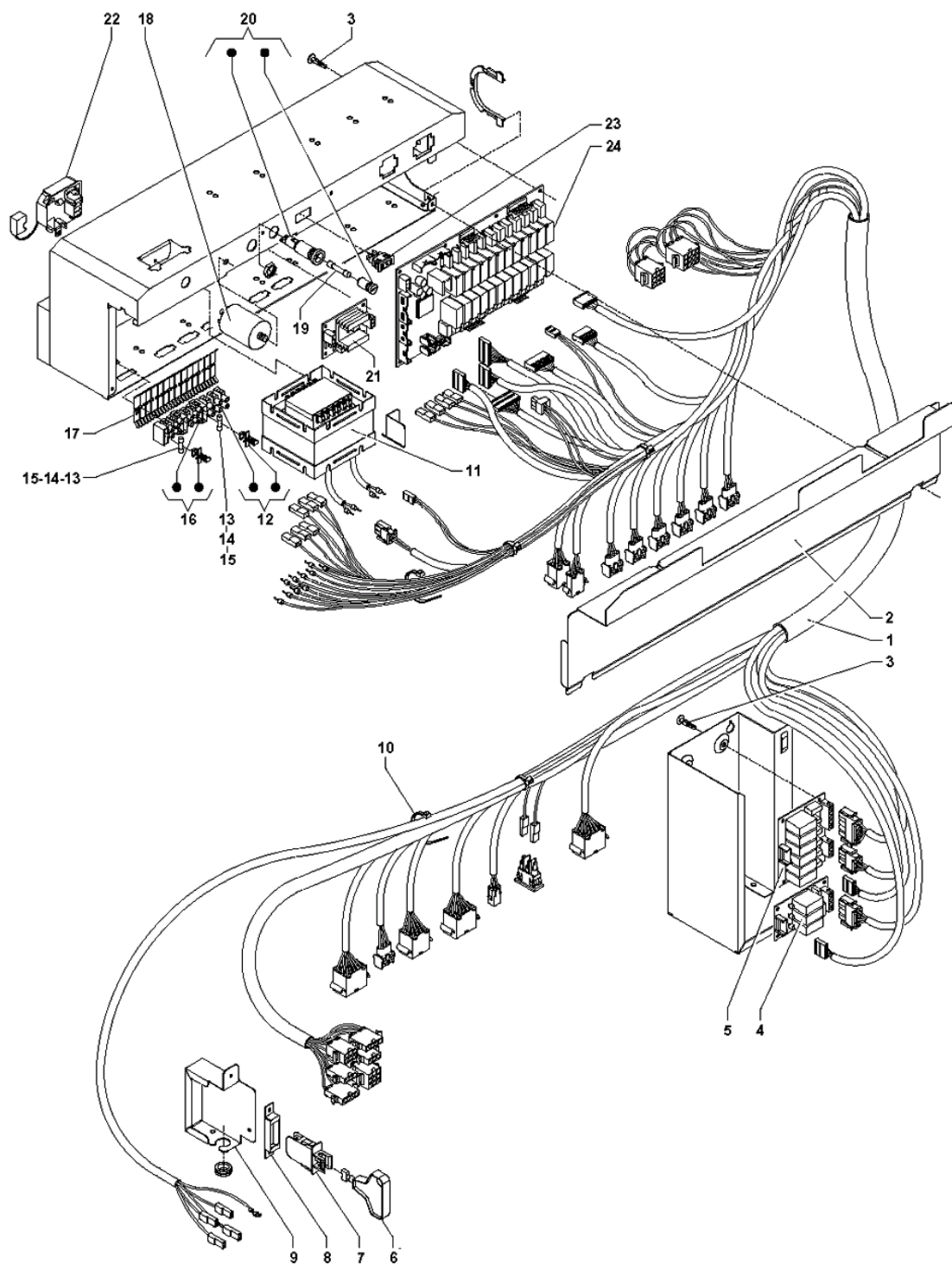
	Code	Description	Notes
1	250003	DOOR - OBLO' -	
1	253521	DOOR WITH ADHESIVE -DARK-	
1	253522	DOOR WITH ADHESIVE -SAPHIR-	
2	250313	MEMBRANE-TYPE PUSH-BUTTON PANEL	
3	250191	INSTRUCTION GLASS - OBLO' -	
4	250192	INTERFACE FRAME - OBLO' -	
5	099743	FREE VEND SWITCH	
6	250310	INSTRUCTION GLASS - 2	
7	250301	KEY PLATE	
8	0V2047	LOCK ROD SPACER	
9	250307	LOCK ROD	
10	093342	COTTER 2X15 UNI	
11	0V4244	LOCK LATCH BOLT ELEMENT	
12	0V4217	LOCK LATCH BOLT	
13	093908	LOCKING POSITION DISK	
14	099905	LOCK RIELDA	
15	250343	PRODUCT LABELS (ITALY)	
16	0V3368	PRICE PLATE - EURO 0.05-	
17	250311	PRODUCT PLATE SPAIN	
18	250344	PRODUCT LABELS 1 (FRANCIA)	
19	250345	PRODUCT LABELS 2 (FRANCIA)	
20	0V3367	PRICE PLATE - EURO 0.01-	



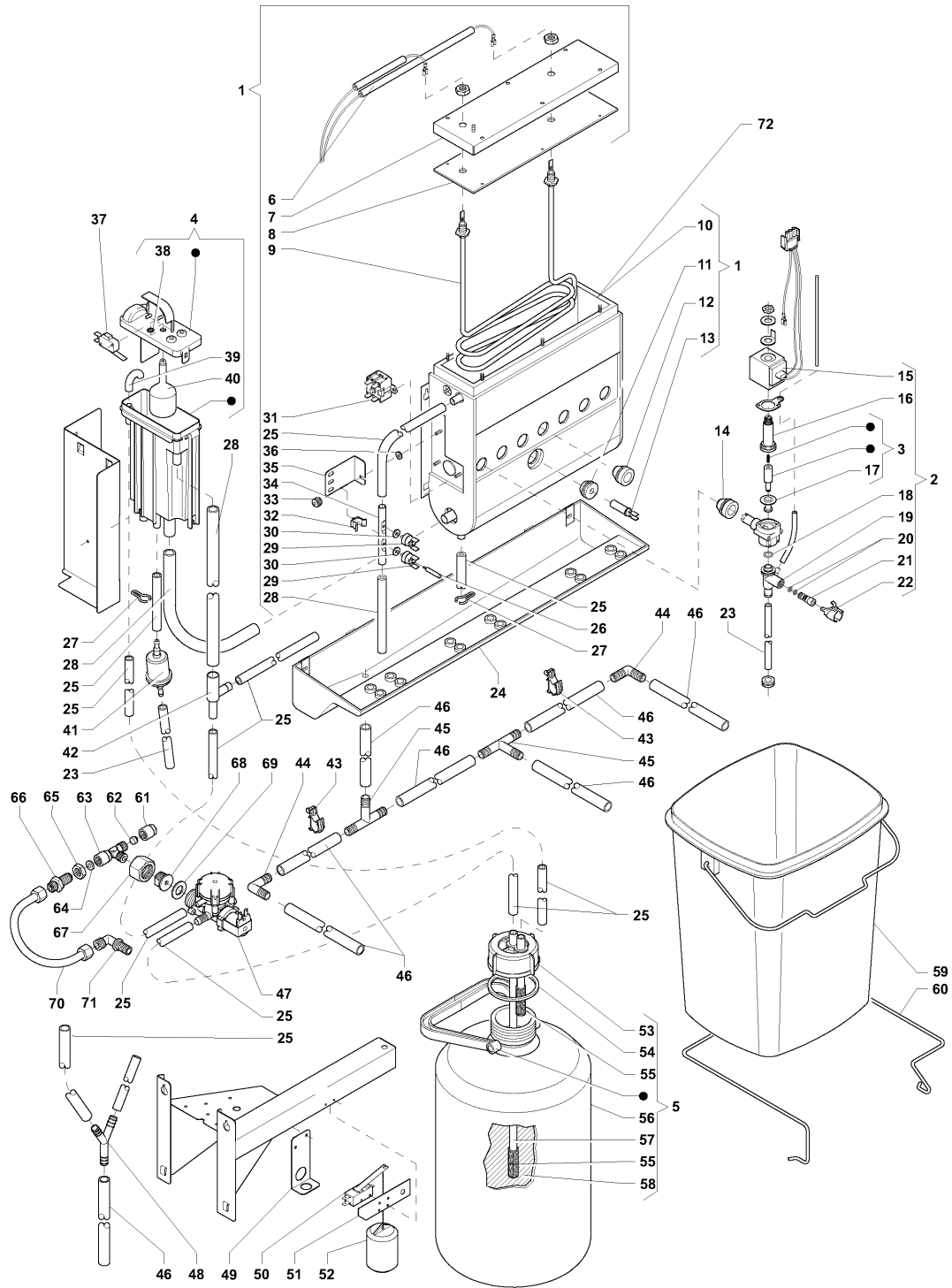
	Code	Description	Notes
1	0V3703	SLIDER GUIDE	
2	0V2093	DISPENSING COMPARTMENT DOOR	
3	093829	LEVER LOCK CLIP	
4	0V2073	DARK GREY COIN RETURN FRAME	
5	0V2017	DOOR MICRO-SWITCH ACTUATOR	
6	250189	DISPLAY SUPPORT - OBLO' -	
7	251658	DISPLAY 4X20 BLUE	
8	250309	DISPLAY GLASS	
9	250306	CARD COVERING	
10	0V1431	SPACER	
11	250305	BOARD SUPPORT	
12	097175	CARD SPACER	
13	252436	16 BIT CPU BOARD 4MB	FROM SERIAL NUMBER 62000001
13	252436	16 BIT CPU BOARD 4MB	UNTIL SERIAL NUMBER 62000000
14	097807	BUTTON	
15	250308	WIRING SUPPORT	
16	250312	DOOR WIRING	
17	250314	UPPER HINGE	
18	0V3889	SCREW 6X14	
19	250316	MAGNET	
20	0V2071	COIN RETURN BUTTON	
21	099351	ACTIVATOR	
22	0V2164	COIN RETURN	
23	099355	CHANGE GIVING PIN	
24	093754	BENZING COLLAR QUICKBLOCK BQ DIAM MM	
25	099356	SPRING FOR CHANGE	
26	099357	UPPER SLIDE	
27	0V2084	LOWER COIN SLOT CHUTE	
28	250315	LOWER DOOR HINGE	
29	250303	COIN MECH SUPPORT	
30	250304	BOX COVER	
31	0V3659	HANDLE	
32	0V2087	CASH RETURN CHUTE -BLACK-	
33	093891	SHUTTER PIVOT	
34	097455	MONEY RETURN SHUTTER BRACKET	
35	093890	MONEY RETURN SHUTTER	
36	250302	COIN BOX SUPPORT	
37	0V2188	COIN BOX	
38	0V2029	COIN-BOX HANDLE	
39	098551	BOLT	
40	090861	CYLINDER LOCK TYPE K	
41	092218	PASSE-PARTOUT LOCK K	



	Code	Description	Notes
1	250318	CABINET -OBLO' -	
2	250002	UPPER PART FOR PIECE OF FURNITURE-OBLO'-	
3	0V2043	DOOR STOP SPACER	
4	0V2160	DOOR STOP	
5	098833	BUFFER	
6	0V3632	LOCK COUPLER BRACKET	
7	094111	INSULATING DOLLY BLOCK	
8	250387	BOILER COVER	
9	250154	COUPLING SQUARE	
10	0V4229	NOZZLE COVER	
11	0V0171	BACK COVERING	
12	250190	FEET COVERING MOLDING - OBLO' -	
13	252124	4 FEET KIT	

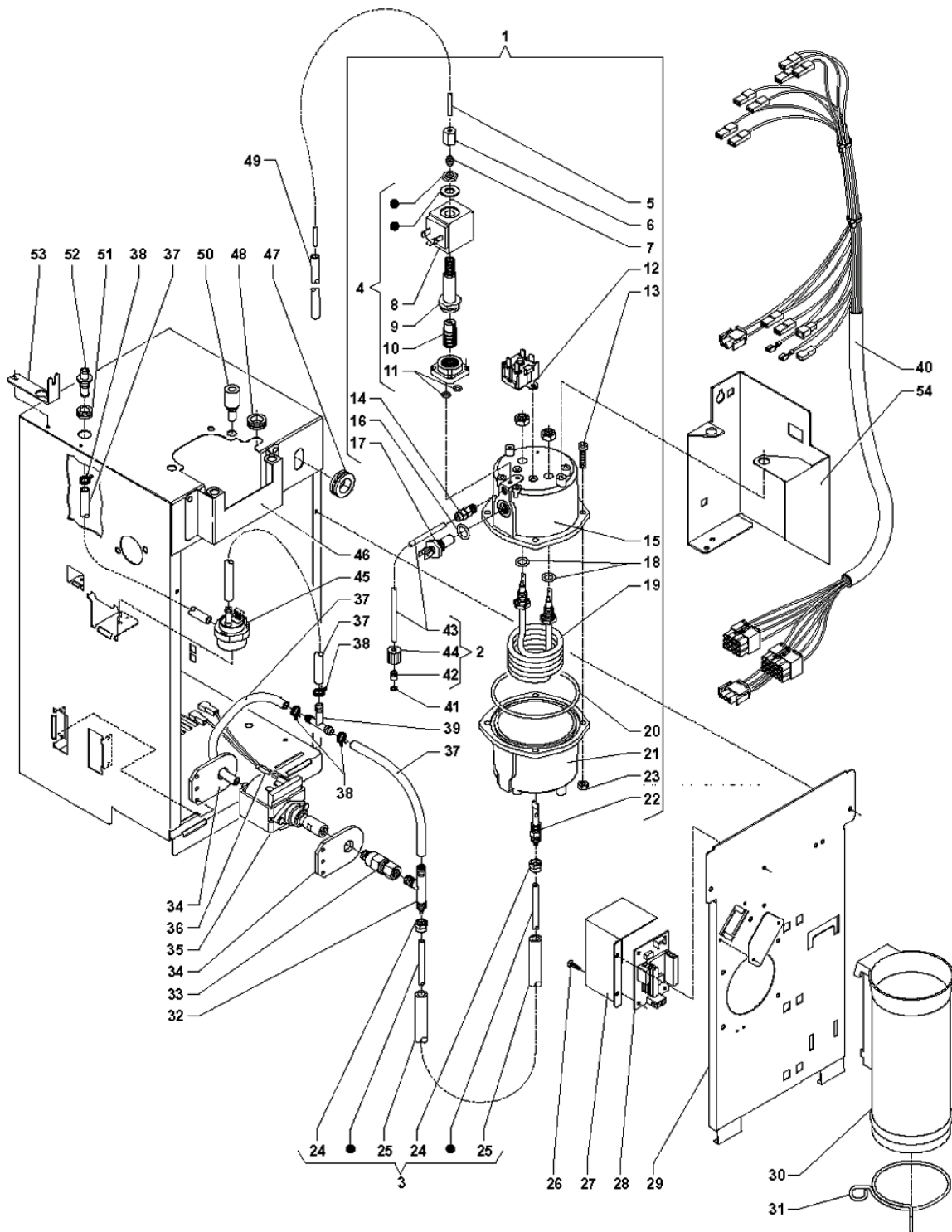


	Code	Description	Notes
1	250172	MAIN WIRING	
2	250144	ELECTRICAL PANEL COVER	
3	097175	CARD SPACER	
4	250463	3-RELAY EXPANSION CARD	
5	0V3202	OUT/R CARD. 6 RELAYS	
6	0V1654	SWITCH KEY	
7	097796	SWITCH	
8	098797	SWITCH SUPPORT	
9	250142	SWITCH COVER	
10	090148	CLIP	
11	0V0014	G49/25-25V TRASFORMER	
12	097241	3-POLE TERMINAL BOARD W/CARRIER	
13	097259	FUSE 5X20 4A DELAYED ACTION	
14	096923	FUSE 5X20 1 AMP DELAYED ACTION	
15	096922	FUSE 5X20 800M AMP	
16	098793	5P TERMINAL BOARD WITH FUSE-HOLDER	
17	097242	SUB-TERMINAL BOARD	
18	0V3512	ELECTRICAL NET FILTER	
19	095636	FUSE 15 A	
20	0V3201	FUSE HOLDER	
21	0V2143	BOILER CONTROL BOARD	
22	098796	TERMINAL BOARD	
23	096921	POWER POINT 10 AMP	
24	252437	16 BIT CONTROL BOARD 4MB	UNTIL SERIAL NUMBER 62000000
24	252437	16 BIT CONTROL BOARD 4MB	FROM SERIAL NUMBER 62000001



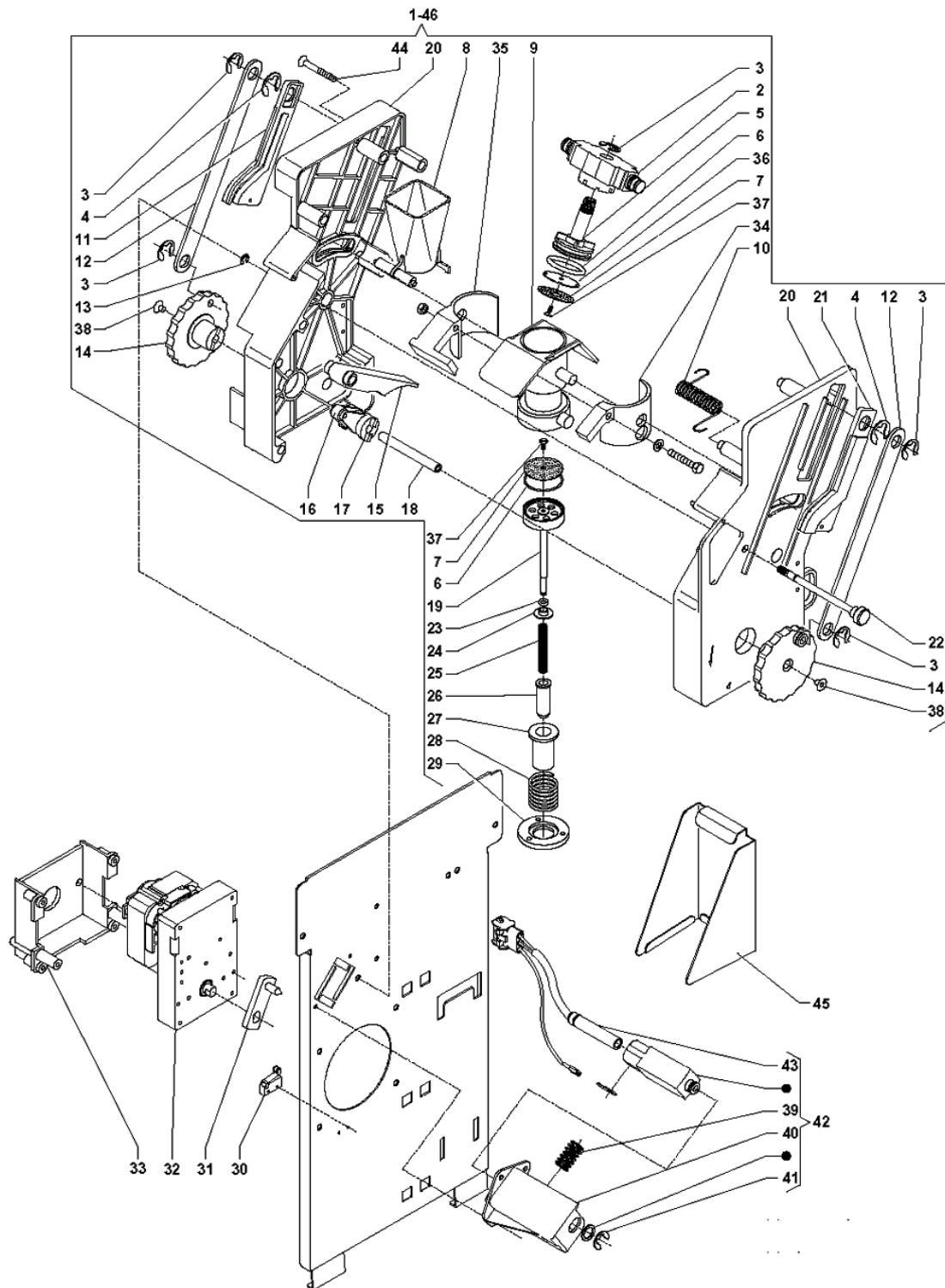
	Code	Description	Notes
1	0V2100	INSTANT BOILER ASSEMBLY	
2	0V2153	INSTANT PROD. ELECTROVALVE	
3	0V3550	ELECTROVALVE NUCLEUS	
4	0V1133	AIR-BREAK ASSEMBLY	
5	094124	DEPURATOR COMPLETE	
6	0V2118	INSTANT BOILER WIRING	
7	0V2155	BOILER LID	
8	0V2055	BOILER LID SEAL	
9	0V2109	2000W- 220V HEATING ELEMENT	
10	0V2193	BOILER ASSEMBLY	
11	099918	GASKET FOR FEELER	
12	099928	STOPPER GASKET	
13	0V0157	FEELER	
14	099847	GASKET	
15	0V3359	LOCK ELECTROVALVE REF.0V2153	
16	0V3552	VALVE BUSH	
17	0V3551	MEMBRANE-GASKET	
18	0V3554	GASKET O-RING	
19	0V3553	LOWER ELECTRICVALVE BODY	
20	099064	ADJUSTING-SCREW-GASKET	
21	0V3555	ADJUSTING-SCREW + O-RING	
22	0V3556	LOWER BODY STOP	
23	097511	SILICONE HOSE 6X9 BROWN	
24	0V4224	BOILER TRAY	
25	097512	SILICONE HOSE 6X12 BROWN	
26	0V2074	THERMOSTAT ACTUATOR	
27	092703	TUBE CLAMP	
28	097515	SILICONE HOSE 10X16 BROWN	
29	0V2129	THERMOSTAT 82 C	
30	094597	COPPER WASHER	
31	0V1364	105 DEGREE SAFETY THERMOSTAT	
32	098484	HOSE FIXING	
33	097699	KNURL M4	
34	099458	TUBE FOR 2 THERMOSTAT	
35	099916	THERMOSTAT SUPPORT	
36	093179	INSULATING WASHER MOTOREDUCTER	
37	0V1141	MICROSWITCH	
38	252538	O-RING 2025	
39	0V1749	WATER/AIR-BREAK CONNECTION	
40	0V1126	AIR-BREAK FLOAT	
41	097435	WATER FILTER VOLUMETRIC COUNTER	
42	094185	CODENSE RECOVERY UNION	
43	098459	WIRE-CLIP	
44	094571	UNION 90 DEGREES	
45	096552	UNION T-SHAPE	
46	093628	HOSE VIPLA TRANSPARENT DIAM MM 14X1	

	Code	Description	Notes
47	097383	ELECTROVALVE WATER-INLET 220V-2.5L/MIN-	
48	093959	UNION Y-SHAPE DIAM 12 OUTER	
49	250152	DRAIN PIPE SUPPORT	
50	093308	MICROSWITCH SERIE RLL/D	
51	092761	INSULATING DISK	
52	094294	FLOAT	
53	094126	DEPURATOR LID	
54	092942	DEPURATOR COVERING GASKET	
55	091993	DEPURATOR FILTER	
56	094124	DEPURATOR COMPLETE	
57	094127	WATER OUTLET PIPE	
58	091995	RESIN DEPURATOR 5 LITRES	
59	254569	BLUE GROUND BUCKET	
60	0V3653	LIQUID CONTAINER STOP	
61	092387	TIGHTENING NUT	
62	096656	PLUG COLLAR	
63	095586	BANJO UNION T-SHAPE	
64	092388	TIGHTENING RING	
65	092652	LOCK NUT 1/4 REV	
66	0V2199	UNION 1/4	
67	093951	TIGHTENING NUT G 3/4	
68	093952	WATER INLET CONNECTION NIPPLE	
69	092364	UNION GASKET 3/4	
70	097378	CONNECTION PIPE	
71	092651	INTERMEDIATE ELBOW LINK	
72	253828	BOILER BODY ASTRO. ZENITH -AISI 316-	

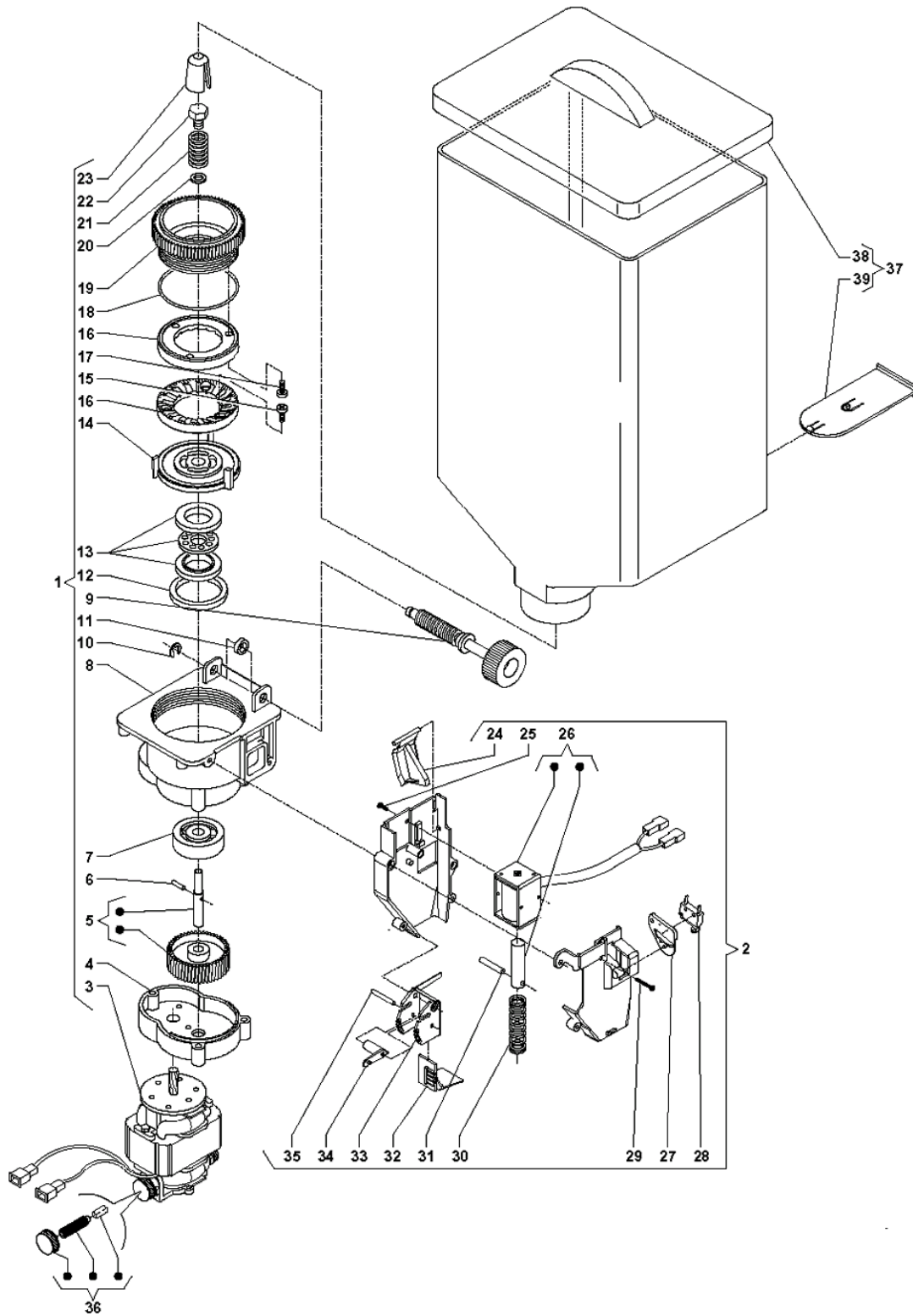


	Code	Description	Notes
1	0V2469	COMPLETE COFFEE BOILER	
2	099400	PLUNGER TUBE	
3	0V2158	PUMP PIPE/COFFEE BOILER	
4	097470	3-WAY ELECTROVALVE 220V	
5	092068	TEFLON PIPE DIAM MM 2X4	
6	093636	TIGHTENING NUT ELECTR. DE-AERATION	
7	093635	TIGHTENING RING ELECTRICAL DE-AERAT	
8	099057	ELECTROV.-COIL 220/230 VOLT	
8	255233	ELECTROV.-COIL 220/230 VOLT -PARKER-	
9	250016	3-WAY ELECTROVALVE PIPE	
9	255235	3-WAY ELECTROVALVE PIPE -PARKER-	
10	250348	3-WAY ELECTROVALVE NUCLEUS- RUBY-	
10	255234	3-WAY ELECTROVALVE NUCLEUS- RUBY -PARKER-	
11	252538	O-RING 2025	
12	0V1318	125 DEGR. THERMOSTAT	
13	255041	SCREW M6X25	
14	0V1434	STRAIGHT UNION	
15	099747	UPPER BOILER-COVER	
16	095624	GASKET O-RING 116 EP851	
17	094872	BOILER TEMPERATURE PROBE	
18	254711	GASKET O-RING112 2.62X9.92	
19	099653	HEATING ELEMENT 1450 W	
20	099748	GASKET	
21	099746	LOWER BOILER-COVER	
22	098758	STRAIGHT UNION	
23	255042	NUT M6	
24	099107	NUT	
25	097685	SILICONE HOSE BROWN 7.5X12	
26	097175	CARD SPACER	
27	0V2305	CARD SUPPORT	
28	0V2143	BOILER CONTROL BOARD	
29	250141	BRACKET SLIDER	
30	094047	PASTILLE BAG HOSE	
31	094048	BAG LOCK COLLAR	
32	098764	BY-PASS PUMP (12 BAR)	
33	099101	NO-RETURN VALVE	
34	0V4275	POMPE SUPPORT	
35	098760	PUMP (VIBRATION)	
36	098815	90 DEGREES THERMIC PROTECTION	
37	097510	SILICONE HOSE 5X9 BROWN	
38	094329	HOSE CLIP	
39	094231	UNION T-SHAPE	
40	250173	COFFEE BRACKET WIRING	
41	094611	GASKET O-RING 2018	
42	098711	BUSH PISTON PIPE	
43	252659	TEFLON PIPE 2.5X5 (A METER)	

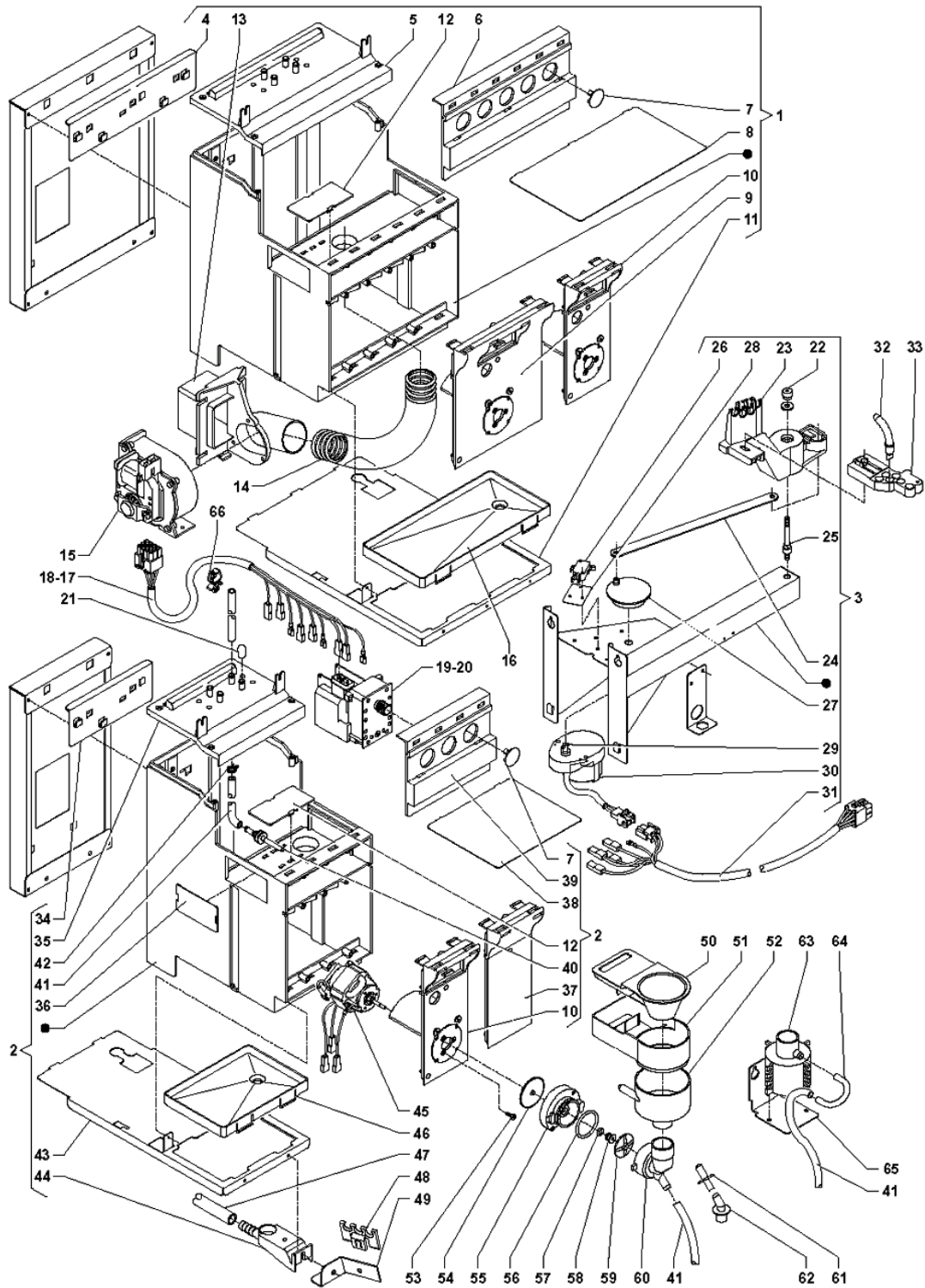
	Code	Description	Notes
44	098699	UNION FOR PISTON PIPE	
45	098707	VOLUMETRIC COUNTER	
46	0V2802	GRINDER SUPPORT	
47	090020	WHIPPING MM 16	
48	090021	WHIPPING DIAM 10.5 MM	
49	097529	SILICONE HOSE 3X6 BROWN	
50	099484	LITTLE RUBBER	
51	0V2127	FAIRLEAD	
52	0V2058	BRACKET WATER CONNECTION	
53	250149	COVER FIXING SQUARE	
54	250140	COFFEE BOILER SUPPORT	



	Code	Description	Notes
1	251687	COFFEE-GROUP Z3000	
2	098568	CROSS-BAR	
3	092717	FIXING COLLAR DIAM MM10	
4	096569	FIXING COLLAR DIAM 12	
5	098577	UPPER PISTON	
6	093167	SILICONE GASKET OR 4118 .	
7	098687	COFFEE FILTER	
8	098570	COFFEE CHUTE	
9	0V1715	BREWING CHAMBER W/PLUG	
10	098920	SCRAPER	
11	098571	REAR SLEDGE	
12	098565	TRACE FOR PISTON COMMAND	
13	098818	STOPPING RING D.4	
14	098573	CRANK	
15	098575	OSCILLATING LEVER	
16	098692	ROTATING LEVER ROLL	
17	098574	ROTATING LEVER	
18	098693	ROD CRANK BLOCKING	
19	099490	LOWER PISTON	
20	0V1714	FRONT AND REAR SHOULDER	
21	098572	FRONT SLEDGE	
22	098694	ROD WITH KNURL	
23	090421	GASKET OR 2025	
24	098690	CONTROL BUSH	
25	098688	PISTON RETURN SPRING	
26	098691	LOWER PISTON GUIDE	
27	098567	LID FOR SPRING	
28	098689	PREINFUSION SPRING	
29	098569	FLANGE FOR SPRING	
30	096355	MICRO SWITCH -UL -	
31	098763	CRANK WITH PIN	
32	098708	MOTOREDUCER	
33	098566	MOTOREDUCER SUPPORT	
34	0V1784	FRONT PANEL	
35	0V1785	REAR PANEL	
36	0V1789	WATER DEFLECTOR	
37	255047	SCREW M3X10 -INOX-	
38	0V3889	SCREW 6X14	
39	0V1788	CONTACT SPRING	
40	0V1787	SUPPORT	
41	987948	LOCKING WASHER	
42	0V1783	Z2000M HEATER WITH SUPPORT	
43	0V1786	25 WATT 110/265 V RESISTOR	
44	255031	SELF-TAPPING SCREW 4.2X26	
45	0V2000	COFFEE UNIT COVERING	
46	252506	Z3000 WITH HEATER(OPEN DURING STAND-BY POSITION)	

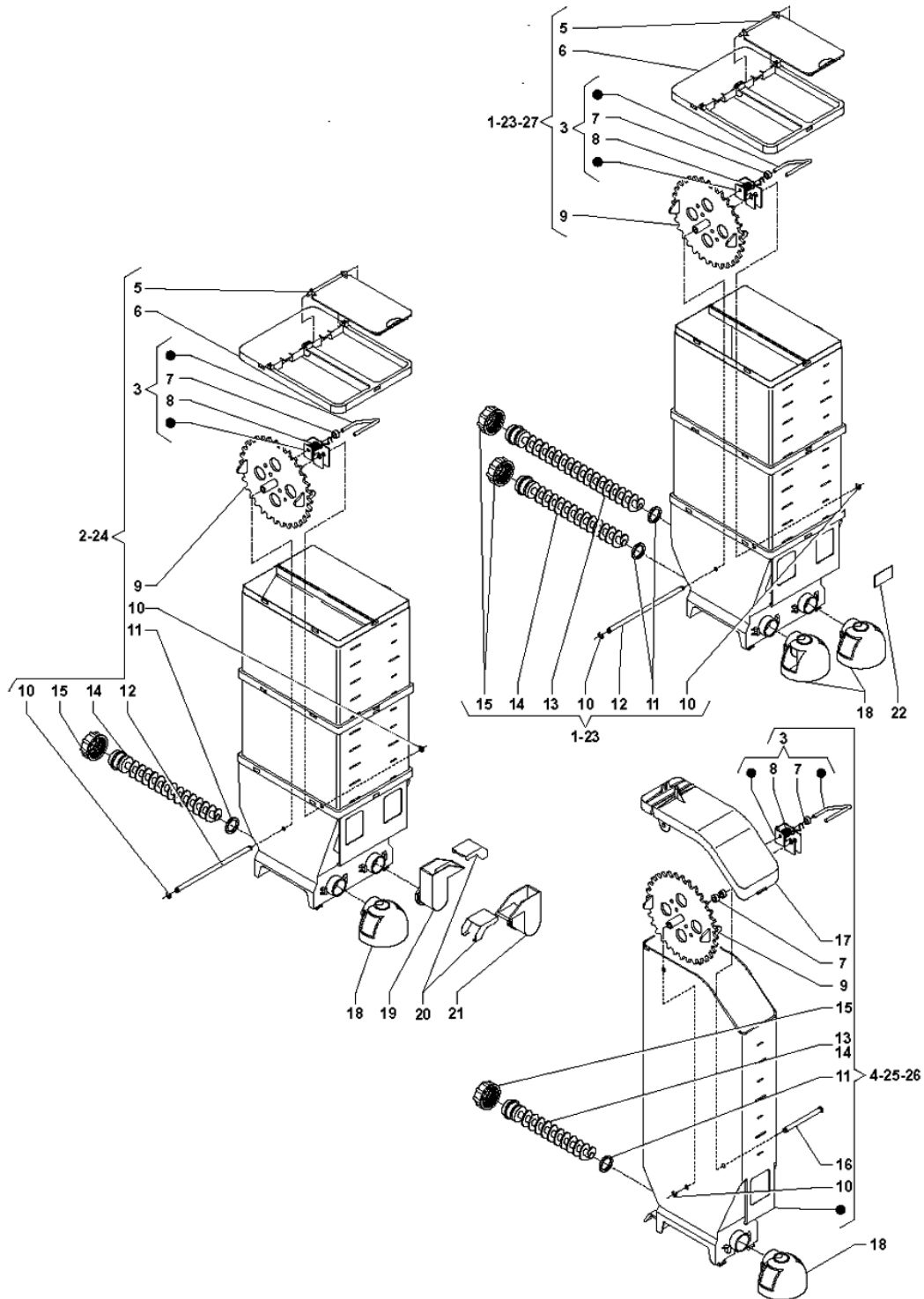


	Code	Description	Notes
1	099336	GRINDER	
2	099337	COFFEE DOSER	
3	099732	GRINDER MOTOR	
4	099468	SUPPORT	
5	099470	SHAFT WHEEL	
6	098293	ELASTIC PLUG	
7	095803	RADIAL BEARING	
8	099469	CAP	
9	099474	REGULATION SCREW	
10	093171	OUTER FIXING COLLAR DIAM MM6	
11	099457	WASHER	
12	093271	COFFEE JUNK RING	
13	093187	THRUST BEARING	
14	095802	GRINDER HOLDER IMPELLER	
15	255032	TREFOIL SCREW M4X10	
16	095840	GRINDER	
17	255033	SELF-TAPPING SCREW 4X10	
18	095805	GASKET O-RING	
19	099473	GRINDER HOLDER	
20	096988	WASHER	
21	099471	SPRING	
22	099472	LEFT SCREW	
23	0V2520	SCREW PROTECTION	
24	099475	ACTUATOR	
25	092657	CLOSS SLOT SCREW 3X6TC	
26	098716	ELECTROMAGNET 220V	
27	0V2082	ADAPTER PLATE	
28	0V2131	BURGESS MICRO-SWITCH	
29	096097	SCREW	
30	098696	SPRING DOSER ELECTROMAGNET	
31	093832	ROD PIVOT	
32	098643	RULE COFFEE-DOSES	
33	098642	SHUTTER COFFEE-DOSER	
34	098644	LEVER FOR RULE	
35	098822	PIN FOR LEVER	
36	0V3229	MOTORBRUSH KIT	
37	099726	COFFEE-CANISTER COMPLETE	
38	0V1357	CONTAINER COVER	
39	098630	ROLL-UP FOR CONTAINER	

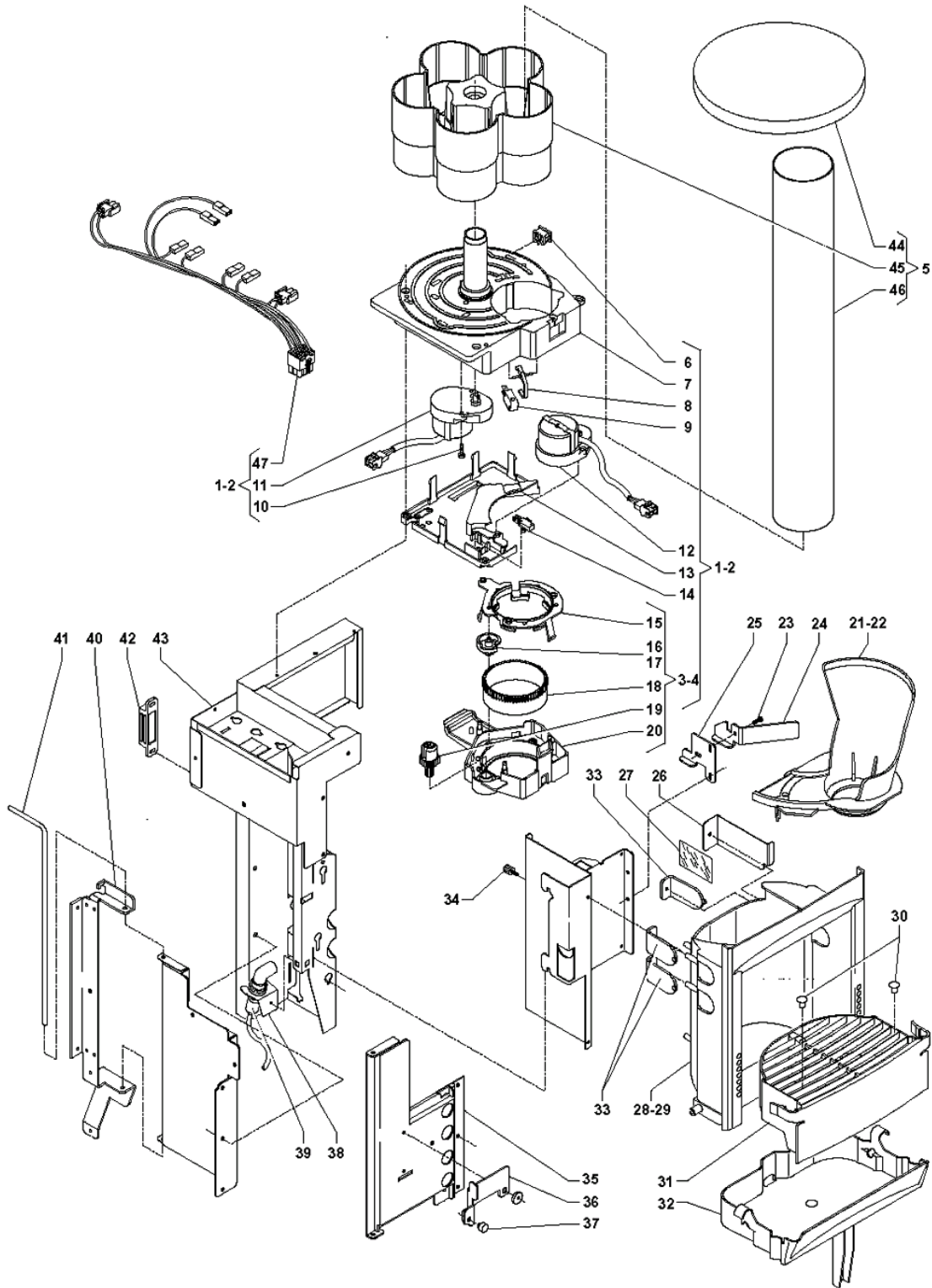


	Code	Description	Notes
1	0V4201	MIXER BRACKET 231	
2	0V4202	MIXER BRACKET 154	
3	250180	SPOUT MOVING	
4	0V4197	BRACKET SUPPORT 231	
5	0V4203	SUPPORT 231	
6	0V4205	RATIOMOTOR SUPPORT 231	
7	0V4199	PLUG	
8	0V4194	CONTAINER SUPPORT 231	
9	0V4209	DOUBLE SUPPORT '1' MIXER	
10	0V4208	'1' MIXER SUPPORT	
11	0V4193	TRAY SUPPORT 231	
12	0V4211	AIR THROTTLER PLATE	
13	0V4210	FAN SUPPORT	
14	096459	HOSE DIAM 32	
15	098583	ELECTROVENTILATOR	
16	0V2050	BRACKET TRAY 231	
17	0V4216	BRACKET WIRING 231	
18	0V4215	BRACKET WIRING 154	
19	0V3726	RATIOMOTOR 78 RPM	
20	0V3725	RATIOMOTOR 52 RPM	
21	250162	PLUG	
22	093828	KNURL	
23	0V4226	NOZZLE TRANSLATOR ARM	
24	0V3643	CONTROL CON-ROD	
25	0V3655	ARM ROTATION PIN	
26	0V1931	MICROSWITCH 'UL'	
27	251519	CRANK	
28	090681	INSULATING DISK	
29	096904	ELASTIC PLUG 1.5X8	
30	099617	MOTOREDUCER 12G/1 MIN.	
31	250174	MOBILE SPOUT WIRING	
32	097953	POINTED NOZZLE	
33	250163	SPOUT SUPPORT	
34	0V4198	BRACKET SUPPORT 154	
35	0V4204	SUPPORT 154	
36	0V4214	AIR FLOW CLOSING PLATE	
37	0V4207	'0' MIXER SUPPORT	
38	0V4196	CONTAINER SUPPORT 154	
39	0V4206	RATIOMOTOR SUPPORT 154	
40	0V4212	WATER NOZZLE	
41	097511	SILICONE HOSE 6X9 BROWN	
42	094329	HOSE CLIP	
43	0V4195	TRAY SUPPORT 154	
44	0V4213	RUBBER PIECE HOLDER	
45	098808	MOTORMIXER	
46	0V2052	BRACKET TRAY 154	

	Code	Description	Notes
47	093628	HOSE VIPLA TRANSPARENT DIAM MM 14X1	
48	098728	PIPES-SUPPORT	
49	0V2308	RIGHT BRACKET	
50	0V1534	DRAWER COVER	
51	0V1537	SUCTION DRAWER	
52	0V1535	WATER FUNNEL	
53	255046	SCREW M3.5X8	
54	099889	DISK	
55	097911	FLANGE FOR MIXER	
56	094540	GASKET O-RING 3125	
57	099880	GASKET	
58	097917	BUSH SEAL	
59	097916	MIXER VENTILATOR	
60	097912	CONVEYOR FOR MIXER	
61	097914	COFFEE CHOKE	
62	097913	ELBOW FOR MIXER	
63	097923	COIL FOR TEA	
64	097970	PIPE FOR COIL	
65	0V2003	COIL SUPPORT FOR TEA	
66	0V4200	CABLE RETAINER	

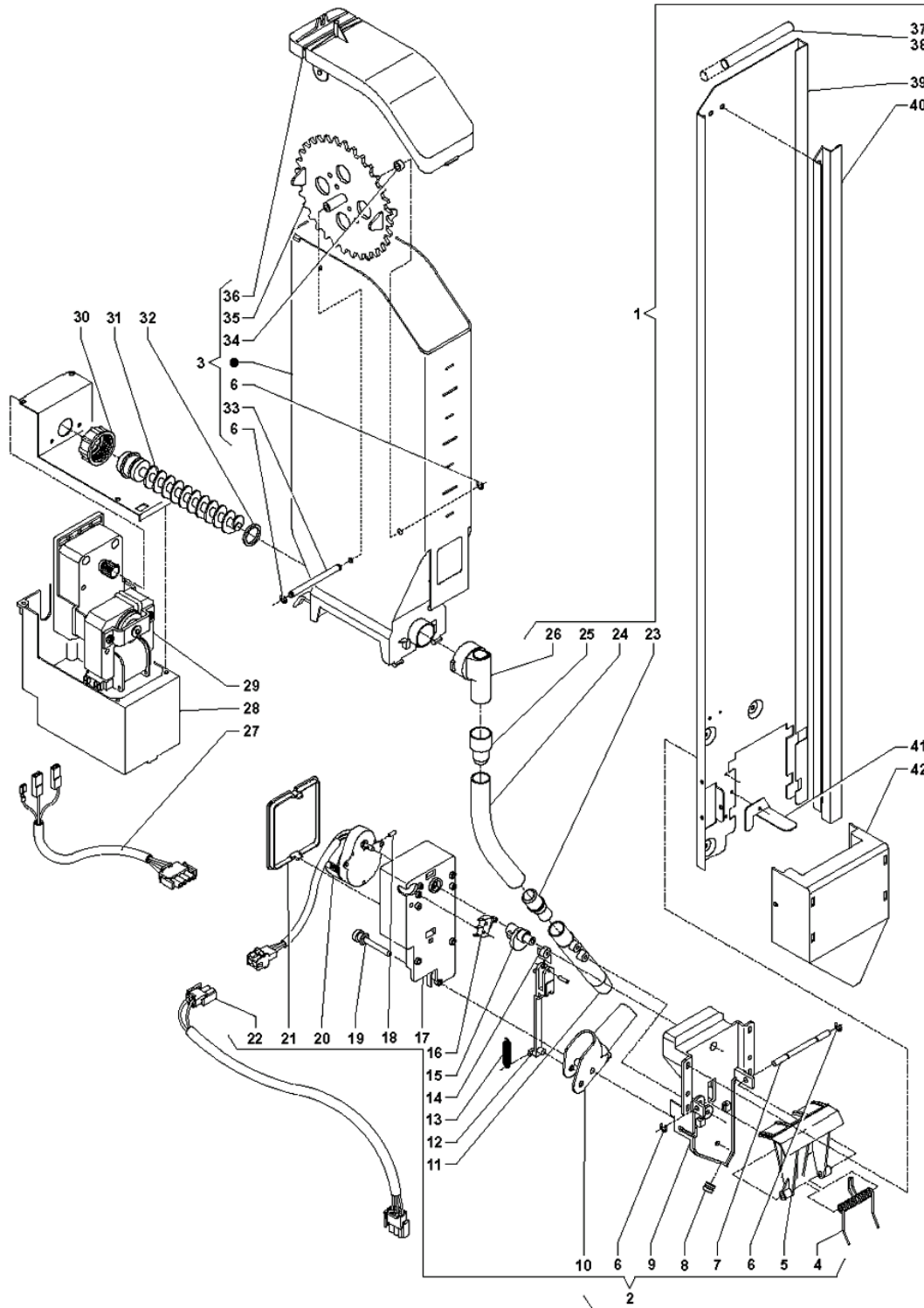


	Code	Description	Notes
1	250183	RH CONTAINER FOR NORMAL AUGER + BEATER	
2	0V3682	LEFT NORMAL AUGER CONTAINER+BEATER	
3	099494	CANISTER-BEATER	
4	0V2173	NORMAL AUGER CONTAINER	
5	0V3723	COVER	
6	0V3722	CONTAINER EXTENSION COVER	
7	098812	SPACER	
8	099442	SPRING	
9	095936	WHEEL	
10	091959	BENZING COLLAR DIAM MM4	
11	095829	GASKET O-RING	
12	0V3728	WHEEL PIN	
13	098608	LONG SCROLL	
14	098609	SCROLL	
15	095849	CONTAINER RING NUT	
16	0V1962	PIN FOR WHEEL	
17	0V2048	POWDER CONTAINER LID	
18	0V1536	ROUND SPHERICAL CONTAINER OPENING	
19	0V2070	RH POWDER FEEDER	
20	0V2076	SHORT CONVEYOR COVER	
21	0V2072	LH POWDER FEEDER L=38	
22	097502	NAMEPLATE GROUP CONTAINER INSTANT P	
23	250183	RH CONTAINER FOR NORMAL AUGER + BEATER	
24	0V3856	LEFT LONG AUGER CONTAINER+BEATER	
25	0V2174	LONG AUGER CONTAINER	
26	0V2177	NORMAL AUGER CONTAINER+BEATER	
27	0V3855	RIGHT LONG AUGER CONTAINER+BEATER	

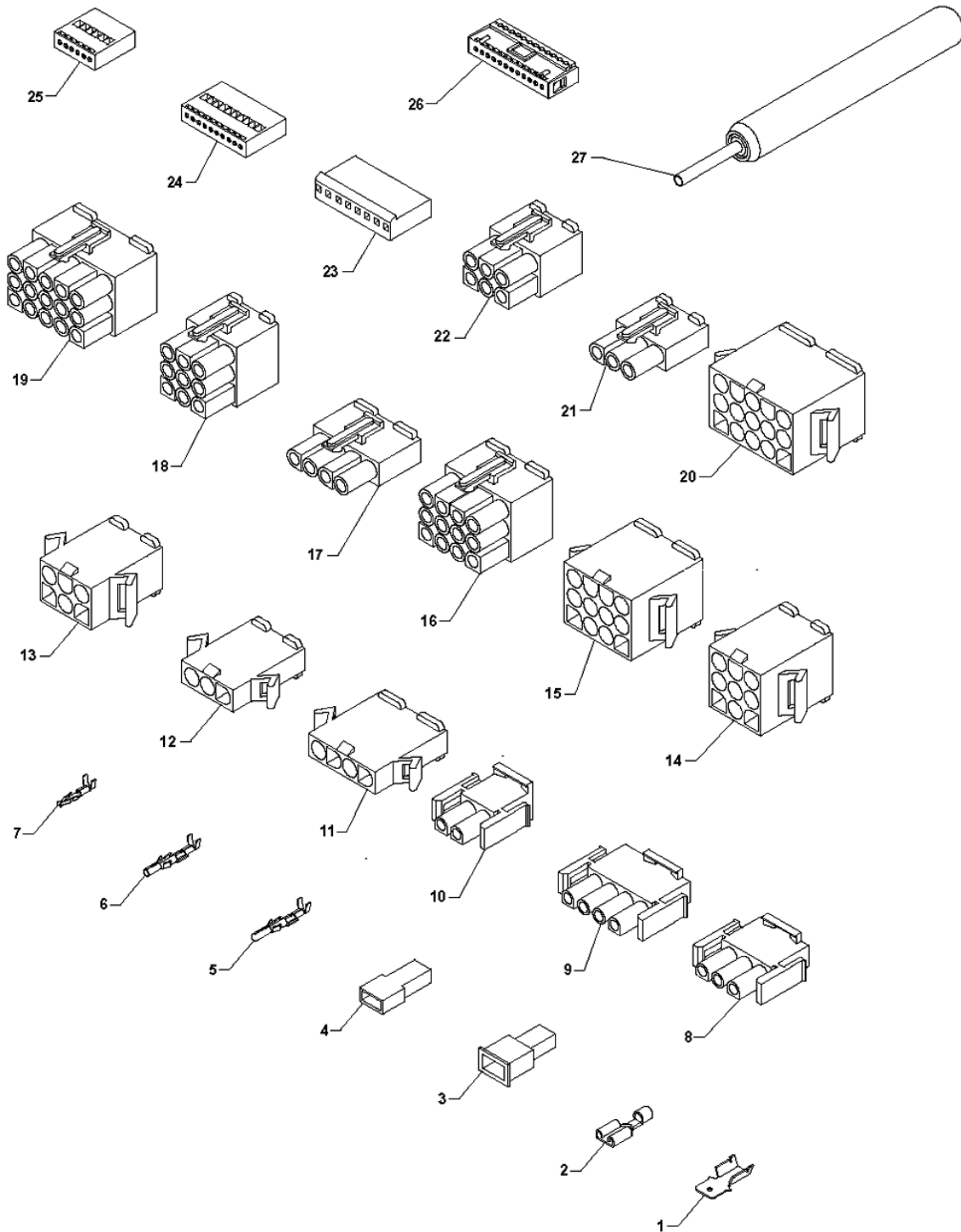


	Code	Description	Notes
1	0V3678	CUP DISPENSER 70/71	
2	0V4271	CUP DISPENSER 73/74	
3	0V4187	CUP RELEASING 70/71	
4	0V4190	CUP RELEASING 73/74	
5	250181	CUP CONTAINER	
6	097807	BUTTON	
7	0V3693	CUP BASE	
8	0V2548	LEVER FOR MICROSWITCH	
9	092439	MICRO TYPE 'CHERRY'	
10	987628	EJOT-PT-SCREW 30X8	
11	0V3672	RATIOMOTOR	
12	0V2549	MOTOREDUCTOR 3 G/M	UNTIL SERIAL NUMBER 02911212
12	255251	REDUCING GEAR 3RPM 230V-50HZ	FROM SERIAL NUMBER 02911213
13	0V3694	MOTOR GEARMOTOR SUPPORT	
14	0V1931	MICROSWITCH 'UL'	
15	0V3696	SNAIL RING	
16	098305	SCROLL DIAM.70/71	
17	0V1659	SNAIL W/DIAM. 73-74	
18	098477	TOOTHED RING	
19	0V3697	MICRO GEAR	
20	0V3695	SNAIL SUPPORT	
21	0V4266	BLACK CUP CHUTE 73/74	
22	250195	BLACK CUP CHUTE 70/71	
23	090615	COLLAR SCREW	
24	0V4219	HOOK	
25	0V4218	HOOK SUPPORT	
26	0V4176	CATADIOPTIC SUPPORT	
27	0V0906	CATADIOPTIC PLATE	
28	0V4265	BLACK DISP.OPENING BACK PANEL+HOLES	
29	250246	BLACK DISP.OPENING BACK PANEL	
30	099184	CUP POSITIONING PIN	
31	250354	BLACK DISPENSING OPENING GRID	
32	250347	DISPENSING COMPARTMENT TRAY -BLACK-	
33	0V3717	GLASS	
34	096977	KNURL	
35	0V3685	DOUBLE HINGE	
36	0V3649	BRACKET LOCK-OUT LEVER	
37	092738	WEDGE BUMPER	
38	0V4175	PHOTOCELL SUPPORT	
39	0V2149	PHOTOCELL	
40	0V4220	BRACKET HINGE SUPPORT	
41	0V3654	FULCRUM PIN	
42	097508	LOCKING MAGNET	
43	0V3684	CUP STATION BRACKET	
44	0V3658	CUP CONTAINER COVER	
45	0V4107	CONTAINER BASE	

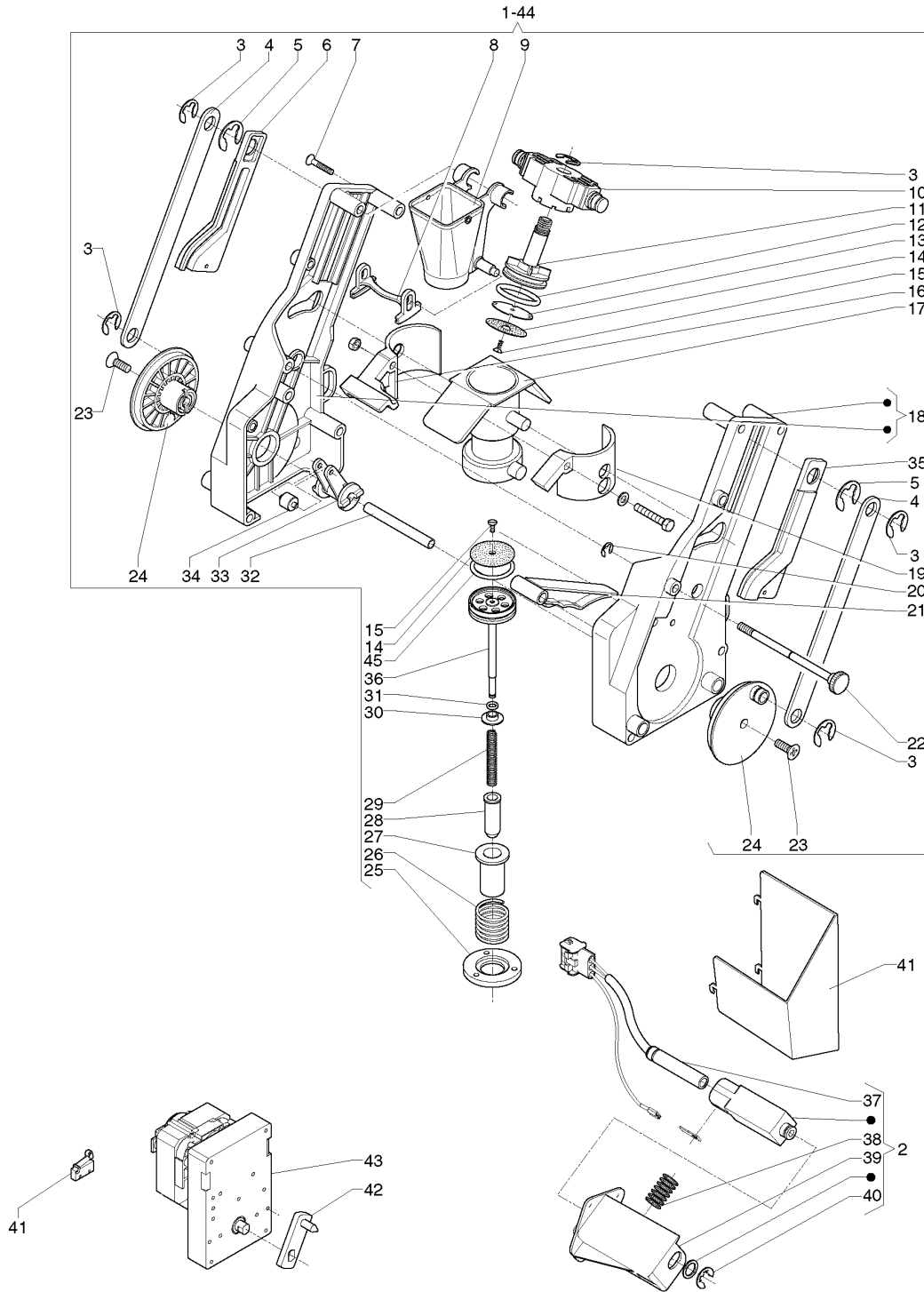
	Code	Description	Notes
46	250161	CUP COLUMN	
47	0V3665	CUP DISPENSER WIRING	



	Code	Description	Notes
1	250184	COMPLET SUGAR/STIRRER DISPENSER	
2	0V3663	SUGAR/STIRRER DISPENSER	
3	0V2173	NORMAL AUGER CONTAINER	
4	099602	SPRING	
5	099610	LEVER	
6	091959	BENZING COLLAR DIAM MM4	
7	098352	STIRRING BARS EJECTING PIN	
8	098853	PASS-WIRE	
9	099607	BODY	
10	099721	SUGAR NOZZLE	
11	098356	SUGAR PIPE	
12	099605	ROD	
13	099616	SPRING	
14	099604	ROLLER	
15	099606	CAM	
16	096355	MICRO SWITCH -UL -	
17	099608	SUPPORT	
18	096904	ELASTIC PLUG 1.5X8	
19	0V2949	SUGAR SPOUT PIN	
20	099397	MOTOR REDUCTOR 6G/1 MIN.	
21	099609	COVER	
22	0V3666	STIRRER DISPENSER WIRING	
23	099375	HOSE COUPLING	
24	098719	PVC PIPE 14X19(A METER)	
25	0V3657	PIPE COUPLING	
26	098939	ROUND STRAIGHT PIPETTE	
27	0V3667	SUGAR DOSING UNIT WIRING	
28	0V3710	CONTAINER BASE BRACKET	
29	0V3673	SUGAR RATIOMOTOR 52 RPM	
30	095849	CONTAINER RING NUT	
31	098609	SCROLL	
32	095829	GASKET O-RING	
33	0V1962	PIN FOR WHEEL	
34	098812	SPACER	
35	095936	WHEEL	
36	0V2048	POWDER CONTAINER LID	
37	099720	STIRRER BAR WEIGHT L=105	
38	090203	STIRRER BAR WEIGHT L=95	
39	250146	90 - 115 STIRRER COLUMN	
40	250153	STIRRER ROD	
41	0V3830	STIRRING GUIDE SQUARE	
42	0V3022	STIRRER CHUTE	



	Code	Description	Notes
1	091159	TERMINAL FASTON MALE BRASS	
2	090959	FASTON W/O TONGUE	
3	091192	FASTON COVER	
4	090247	FEMALE FASTON COVER	
5	095955	TERMINAL MALE	
6	096136	TERMINAL FEMALE	
7	094405	TERMINAL FEMALE 2.5	
8	094954	FEMALE HOLDER CONNECTOR 3-WAYS	
9	098062	4-WAY CONNECTOR MATE-N-LOK AMP	
10	094955	FEMALE HOLDER CONNECTOR 2-WAYS	
11	0V0809	4-PIN CONNECTOR/P MOLEX 3191	
12	0V0808	3-PIN CONNECTOR/P MOLEX 3191	
13	0V0810	6-PIN CONNECTOR/P MOLEX 3191	
14	0V0811	9-PIN CONNECTOR/P MOLEX 3191	
15	0V0812	12-PIN CONNECTOR/P MOLEX 3191	
16	0V0818	12-PIN CONNECTOR/P MOLEX 3191	
17	0V0815	4-PIN CONNECTOR/P MOLEX 3191	
18	0V0817	9-PIN CONNECTOR/P MOLEX 3191	
19	0V0819	15-PIN CONNECTOR/P MOLEX 3191	
20	0V0813	15-PIN CONNECTOR/P MOLEX 3191	
21	0V0814	3-PIN CONNECTOR/P MOLEX 3191	
22	0V0816	6-PIN CONNECTOR/P MOLEX 3191	
23	093993	CHASER CONNECTOR FEMALE HOLDER 10-W	
24	094404	FEMALE HOLDER CONNECTOR 12-WAYS 2.5	
25	094712	FEMALE HOLDER CONNECTOR STOKO 6-WAY	
26	094961	FEMALE HOLDER CONNECTOR P.I. 12-W	
27	0V0820	MOLEX CONTACT PULLER	



	Code	Description	Notes
1	251492	Z3000 COFFEE UNIT WITH HEATER	
2	0V1783	Z2000M HEATER WITH SUPPORT	
3	092717	FIXING COLLAR DIAM MM10	
4	098565	TRACE FOR PISTON COMMAND	
5	096569	FIXING COLLAR DIAM 12	
6	098571	REAR SLEDGE	
7	255031	SELF-TAPPING SCREW 4.2X26	
8	251740	COFFEE SCRAPER	
9	251739	Z3000 COFFEE CHUTE	
10	098568	CROSS-BAR	
11	098577	UPPER PISTON	
12	093167	SILICONE GASKET OR 4118 .	
13	0V1789	WATER DEFLECTOR	
14	098687	COFFEE FILTER	
15	255047	SCREW M3X10 -INOX-	
16	251486	Z3000 REAR PANEL	
17	0V1715	BREWING CHAMBER W/PLUG	
18	251101	RH-LH SUPPORT	
19	0V1784	FRONT PANEL	
20	098818	STOPPING RING D.4	
21	098575	OSCILLATING LEVER	
22	252020	TIEROD WITH KNURLED NUT	
23	0V3889	SCREW 6X14	
24	098573	CRANK	
25	098569	FLANGE FOR SPRING	
26	098689	PREINFUSION SPRING	
27	098567	LID FOR SPRING	
28	098691	LOWER PISTON GUIDE	
29	098688	PISTON RETURN SPRING	
30	098690	CONTROL BUSH	
31	090421	GASKET OR 2025	
32	098693	ROD CRANK BLOCKING	
33	098574	ROTATING LEVER	
34	098692	ROTATING LEVER ROLL	
35	098572	FRONT SLEDGE	
36	099490	LOWER PISTON	
37	0V1786	25 WATT 110/265 V RESISTOR	
38	0V1788	CONTACT SPRING	
39	0V1787	SUPPORT	
40	987948	LOCKING WASHER	
41	096355	MICRO SWITCH -UL -	
42	098763	CRANK WITH PIN	
43	098708	MOTOREDUCER	
44	251687	COFFEE-GROUP Z3000	
45	253411	GASKET O-RING 4112	