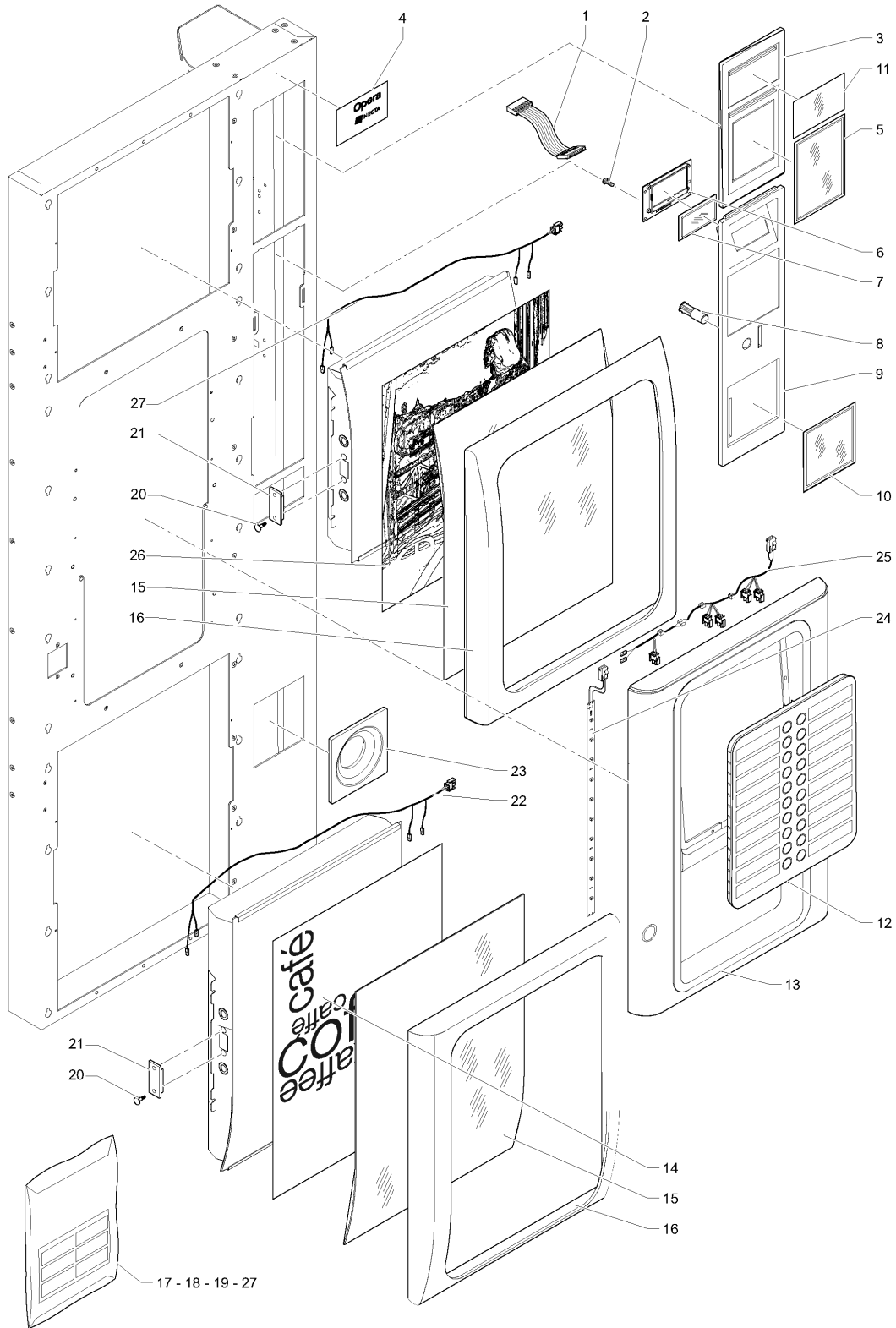
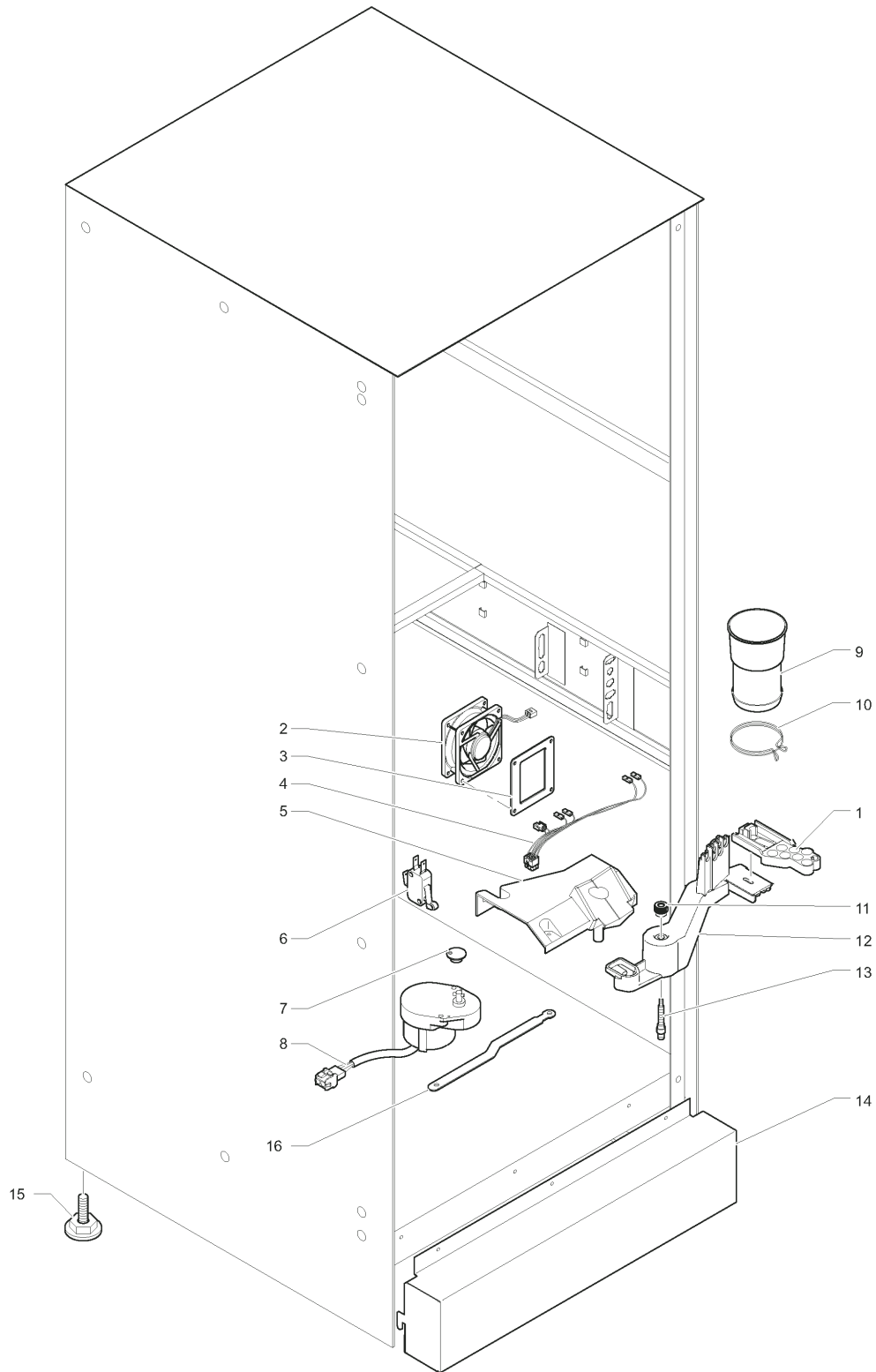


OPERA - 220V 50HZ

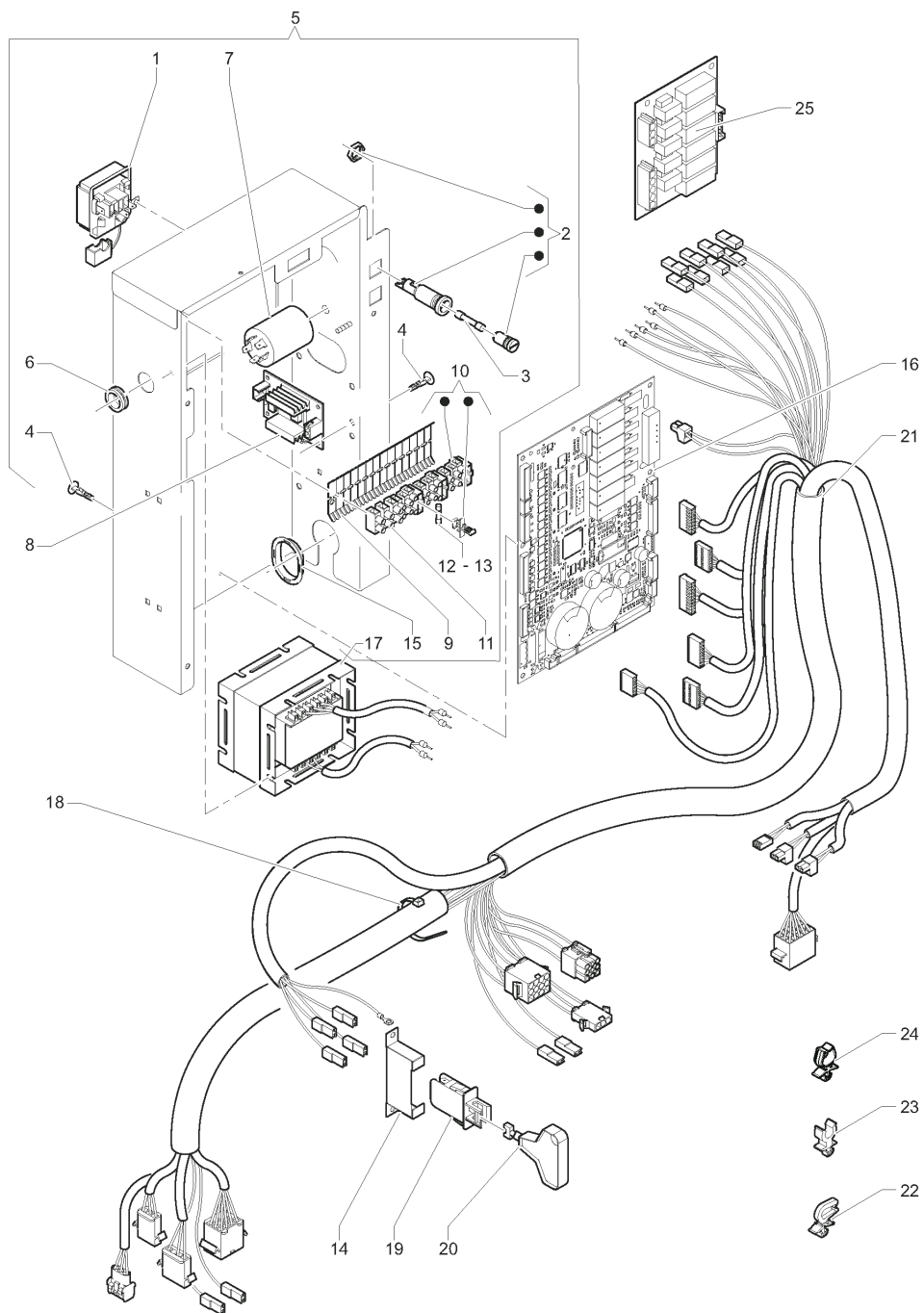


	Code	Description	Notes
1	253920	DISPLAY WIRING	
2	255724	SELF-TAPPING SCREW 4X8	
3	255678	TOP TILE	
4	257271	PLATE OPERA LOGO	
5	255681	BANK NOTE READER PLATE HOLDER	
6	255688	GRAPHIC DISPLAY	
7	255679	DISPLAY GLASS	
8	0V4264	BLACK MONEY RETURN BUTTON	
9	255673	DISPLAY SUPPORT	
10	257270	PLATE HOLDER COIN SLOT	
11	257267	PLATE HOLDER BANK NOTES	
12	255834	TOUCH BUTTON PAD	
13	255833	CENTRAL DOOR STRIPE	
14	257269	BOTTOM PHOTO PANEL -DOLCE VITA-	
15	255804	CLEAR BOTTOM PANEL	
16	255796	BOTTOM DOOR STRIPE	
17	257272	PLATE PRODUCTS IT-DOLCE VITA-	
18	0V3367	PRICE PLATE - EURO 0.01-	
19	255683	INSTRUCTION PLATE	
20	097298	FASTEX CLIP	
21	255723	LED ASSEMBLY	
22	255818	BOTTOM LED WIRING	
23	255680	COIN RECOVERY FRAME	
24	257275	STRIPS WHITE LED	
25	257274	WIRING PLATE LIGHTING	
26	257268	TOP PHOTO PANEL -DOLCE VITA-	
27	257757	PRODUCT PLATES DOLCEVITA-F-	

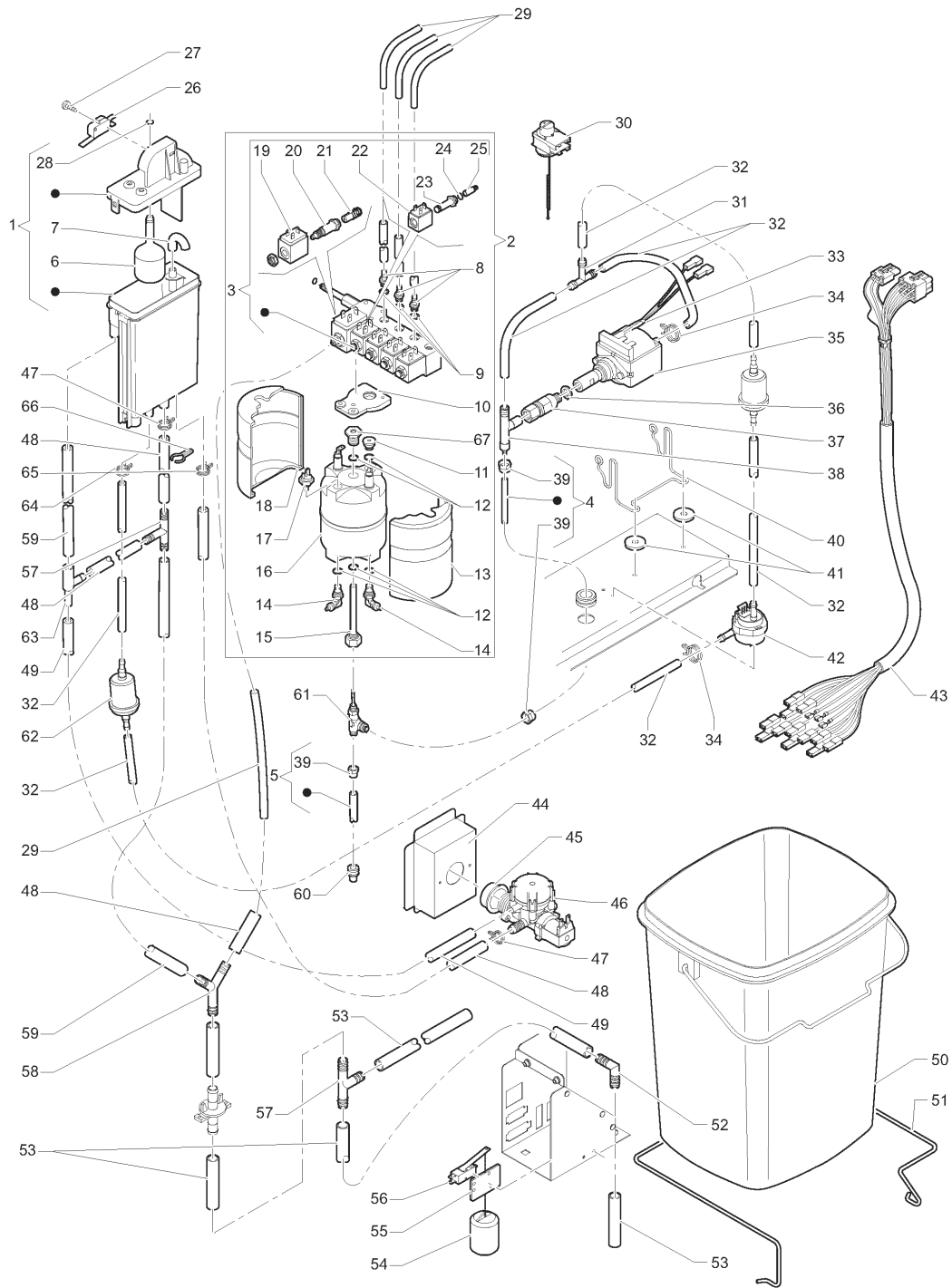
	Code	Description	Notes
1	0V3675	LEFT DOOR HINGE	
2	0V3674	RIGHT DOOR HINGE	
3	257276	ASSEMBLY COIN BOX	
4	090861	CYLINDER LOCK TYPE K	
5	0V2284	SCALER 24 VOLT	
6	0V2047	LOCK ROD SPACER	
7	255770	DOOR CLOSURE ROD	
8	0V3646	DOOR SWITCH ACTUATOR	
9	097807	BUTTON	
10	0V3703	SLIDER GUIDE	
11	099905	LOCK RIELDA	
12	0V4217	LOCK LATCH BOLT	
13	250494	CLOSING PIN	
14	255782	HATCH BRAKE	
15	255800	DISPENSING COMPARTMENT DOOR	
16	097455	MONEY RETURN SHUTTER BRACKET	
17	093891	SHUTTER PIVOT	
18	093890	MONEY RETURN SHUTTER	
19	250182	MAGNET	
20	0V3652	COIN BOX HANDLE	
21	098551	BOLT	
22	092218	PASSE-PARTOUT LOCK K	
23	091703	SELF-BLOCKING NUT M4	
24	0V3659	HANDLE	
25	0V4263	BLACK COIN RETURN CHUTE	
26	0V3708	COIN CASHING CHUTE	
27	0V3648	COIN MECHANISM STOP	
28	0V3704	COIN RETURN LEVER	
29	987839	RETURN SPRING	
30	0V3706	LEVER SUPPORT	
31	253924	CPU BOARD	
32	0V3705	COIN SLOT CHUTE	
33	0V3647	COIN SLOT CHUTE SUPPORT	
34	097175	CARD SPACER	
35	255471	CURRENT REGULATOR BOARD	
36	093916	WHIPPING OVAL	
37	255810	DOOR WIRING	
38	256526	ASSY. COVER COIN BOX	



	Code	Description	Notes
1	250163	SPOUT SUPPORT	
2	251867	12 V DC FAN - 4000R/M	
3	253997	FAN ADHESIVE SEAL	
4	255814	NOZZLE ASSY WIRING	
5	255779	NOZZLE MOVEMENT COVER	
6	0V1931	MICROSWITCH 'UL'	
7	251519	CRANK	
8	255820	NOZZLE MOTOR	
9	0V3698	USED DOSE DISCHARGE PIPE	
10	094048	BAG LOCK COLLAR	
11	093828	KNURL	
12	0V4226	NOZZLE TRANSLATOR ARM	
13	0V3655	ARM ROTATION PIN	
14	255830	FOOT COVER ASSY.	
15	252124	4 FEET KIT	
16	255769	NOZZLE MOVEMENT ROD	

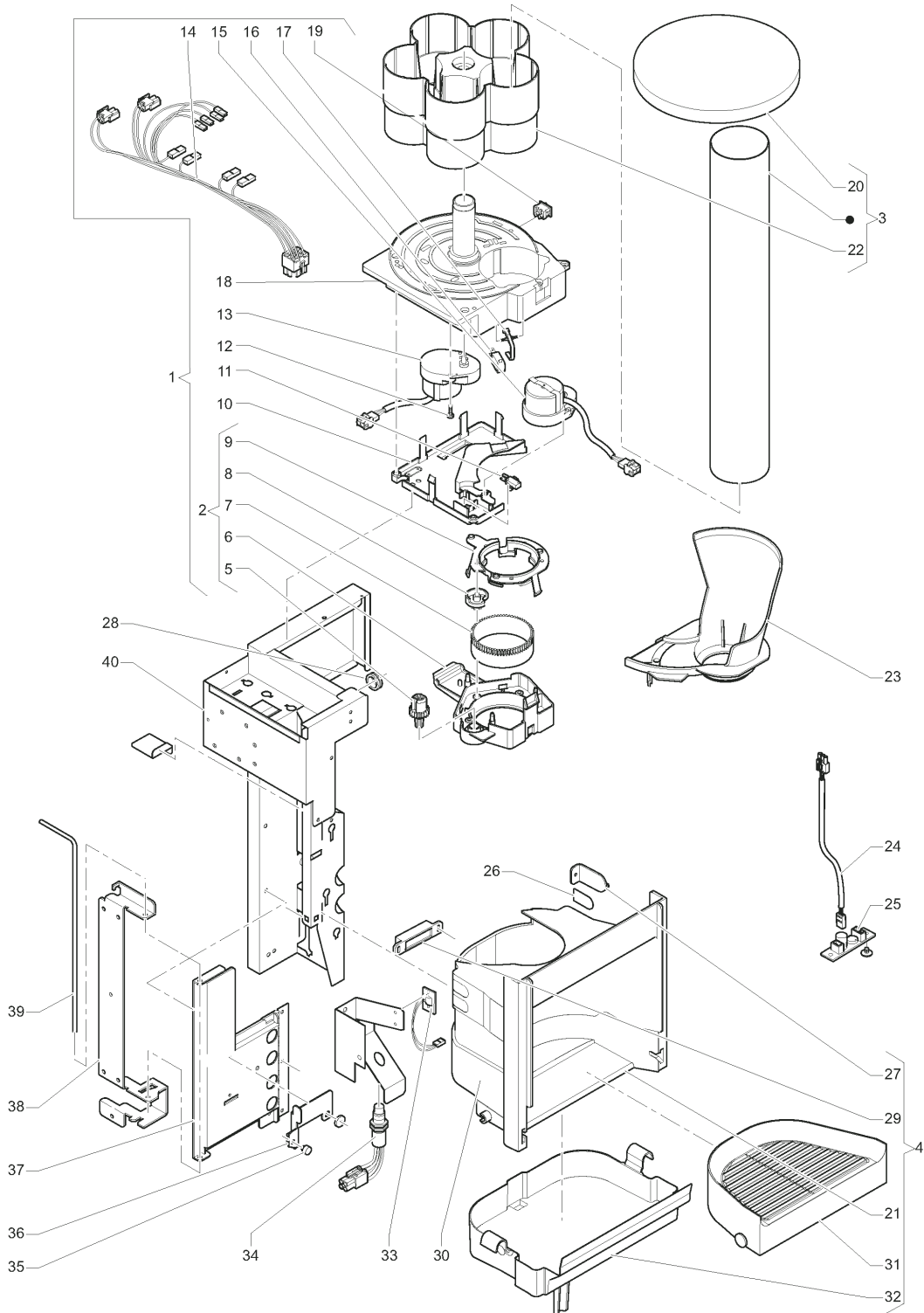


	Code	Description	Notes
1	098796	TERMINAL BOARD	
2	254852	FUSE HOLDER	
3	095636	FUSE 15 A	
4	097175	CARD SPACER	
5	255822	ELECTRIC PANEL ASSEMBLY	
6	093312	WHIPPING DIAM MM 12 ART 46	
7	0V3512	ELECTRICAL NET FILTER	
8	0V2143	BOILER CONTROL BOARD	
9	097242	SUB-TERMINAL BOARD	
10	097241	3-POLE TERMINAL BOARD W/CARRIER	
11	098793	5P TERMINAL BOARD WITH FUSE-HOLDER	
12	098170	FUSE T6.3AMP	
13	097097	FUSE 2 AMP.5X20 DELAYED ACT	
14	254850	SWITCH HOLDER	
15	093916	WHIPPING OVAL	
16	255310	CONTROLS CARD	
17	255302	TRANSFORMER	
18	090148	CLIP	
19	097796	SWITCH	
20	0V1654	SWITCH KEY	
21	255809	GENERAL WIRING -ES-	
22	098459	WIRE-CLIP	
23	098484	HOSE FIXING	
24	252968	CABLE RETAINER	
25	0V3202	OUT/R CARD. 6 RELAYS	

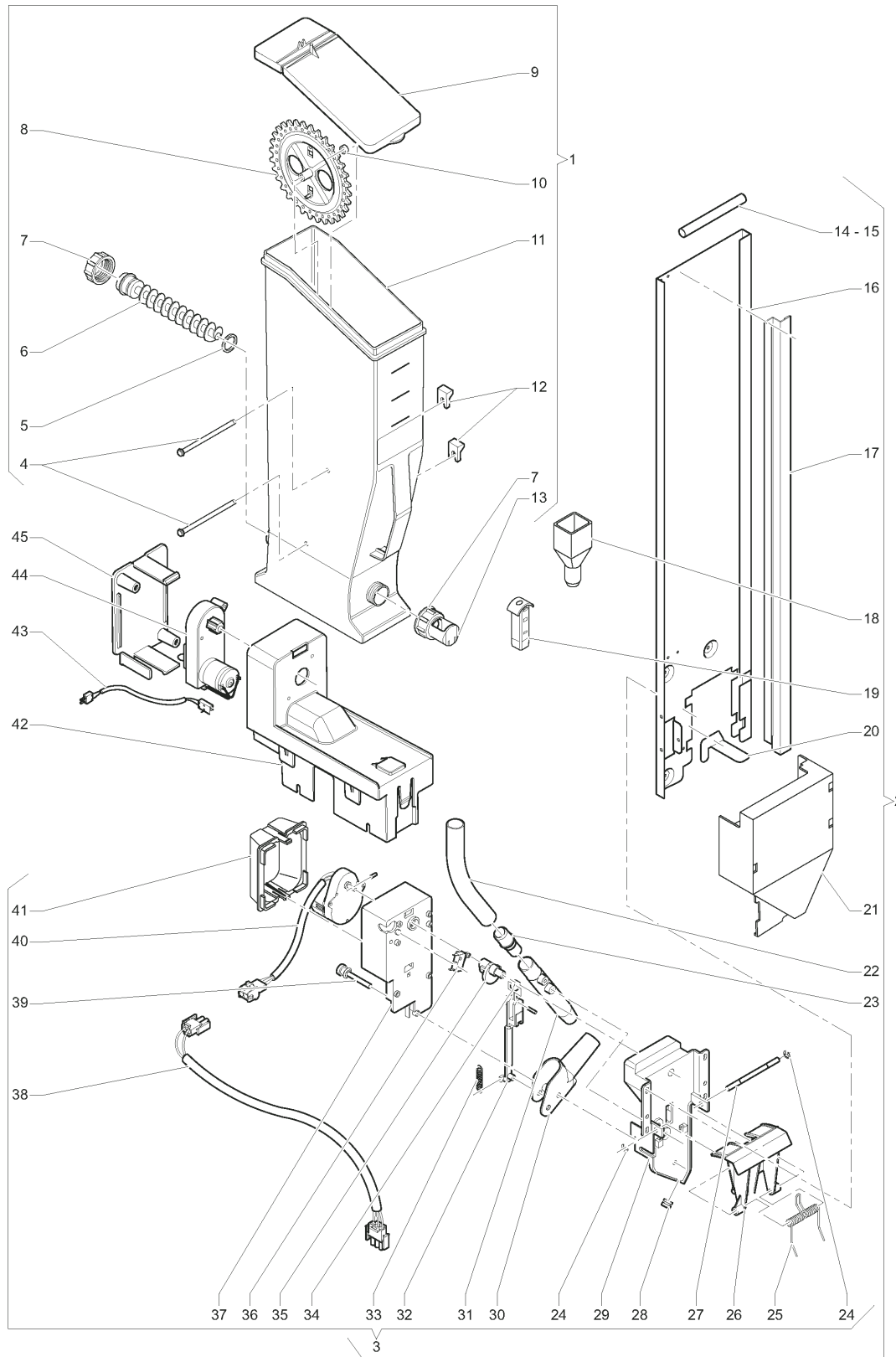


	Code	Description	Notes
1	0V1133	AIR-BREAK ASSEMBLY	
2	256522	ASSY. BOILER 5 SOLENOIDS	
3	256521	UNIT 5 SOLENOIDS+WAND	
4	255824	BOILER PUMP HOSE	
5	255825	BOILER DRAIN PIPE	
6	0V1126	AIR-BREAK FLOAT	
7	0V1749	WATER/AIR-BREAK CONNECTION	
8	099012	RUBBERHOLDER UNION	
9	094594	GASKET O-RING 2031	
10	255772	CONDUCTOR PLATE	
11	255774	BOILER OUTLET FITTING	
12	257077	OR 2037-1.78X9.25	
13	255789	FEMALE INSULATING SHELL	
14	255777	"L" ROTARY FITTING 1/8G	
15	255776	FITTING	
16	255832	BOILER WITH HEATING ELEMENT 1500W	
17	255248	TEMPERATURE PROBE	
18	255790	MALE INSULATING SHELL	
19	255571	COFFEE COIL	
20	099105	COFFEE-ELECTROV. CONNECTION PIPE	
21	097472	3-WAY ELECTROVALVE NUCLEUS -VITON-	
22	257106	COIL POWDER 10W	
23	0V1953	INSTANT-ELECTROV. CONNECTION PIPE	
24	099059	VALVE-BUSH-GASKET	
25	099058	NUCLEUS INSTANT-E.V.	
26	0V1141	MICROSWITCH	
27	255029	SCREW M4X10	
28	090421	GASKET OR 2025	
29	097529	SILICONE HOSE 3X6 BROWN	
30	256249	CAPILLARY THERMOSTAT LM8 140°C	
31	094231	UNION T-SHAPE	
32	097510	SILICONE HOSE 5X9 BROWN	
33	098815	90 DEGREES THERMIC PROTECTION	
34	094329	HOSE CLIP	
35	257112	PUMP EP5 GW 230V 50HZ	
36	0V0782	O-RING 2025	
37	099101	NO-RETURN VALVE	
38	098764	BY-PASS PUMP (12 BAR)	
39	099107	NUT	
40	0V0191	POMPE SUPPORT	
41	093091	PUMP DAMPER	
42	098707	VOLUMETRIC COUNTER	
43	255816	BOILER WIRING-ES-	
44	255446	WATER INLET ELECTROVALVE SUPPORT	
45	099815	STOPPER	
46	097383	ELECTROVALVE WATER-INLET 220V-2.5L/MIN-	

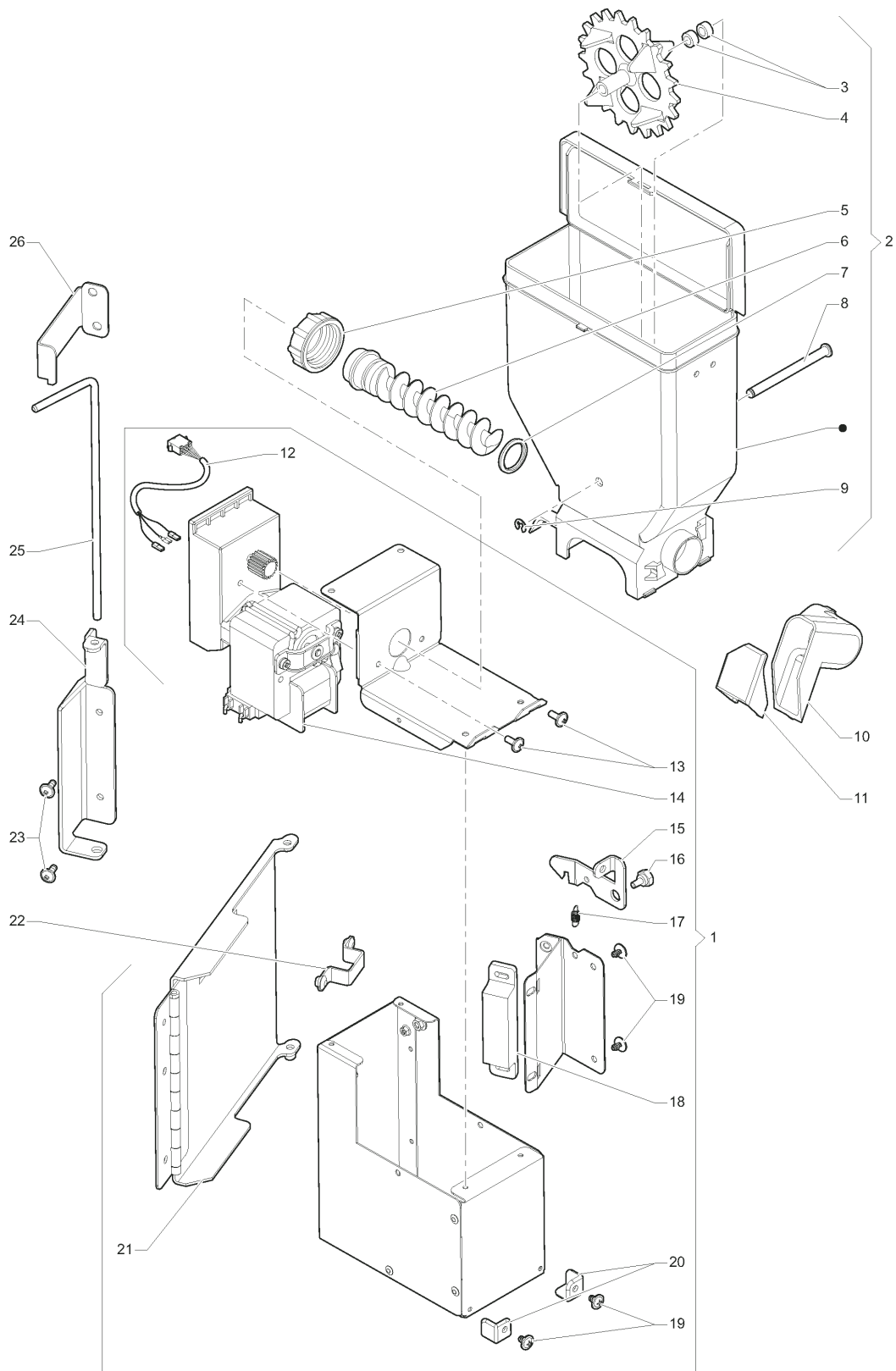
	Code	Description	Notes
47	095515	HOSE CLIP DIAM 14	
48	097685	SILICONE HOSE BROWN 7.5X12	
49	097512	SILICONE HOSE 6X12 BROWN	
50	254569	BLUE GROUND BUCKET	
51	0V3653	LIQUID CONTAINER STOP	
52	094571	UNION 90 DEGREES	
53	093628	HOSE VIPLA TRANSPARENT DIAM MM 14X1	
54	094294	FLOAT	
55	090681	INSULATING DISK	
56	252585	MICROSWITCH	
57	096552	UNION T-SHAPE	
58	093959	UNION Y-SHAPE DIAM 12 OUTER	
59	097515	SILICONE HOSE 10X16 BROWN	
60	251847	DIAM. 6 QUICK-COUPLING	
61	255085	1/8 CONNECTION	
62	097435	WATER FILTER VOLUMETRIC COUNTER	
63	094185	CODENSE RECOVERY UNION	
64	097002	HOSE CLIP	
65	097122	HOSE CLIP	
66	093957	TUBE CLAMP	
67	255773	CAP	



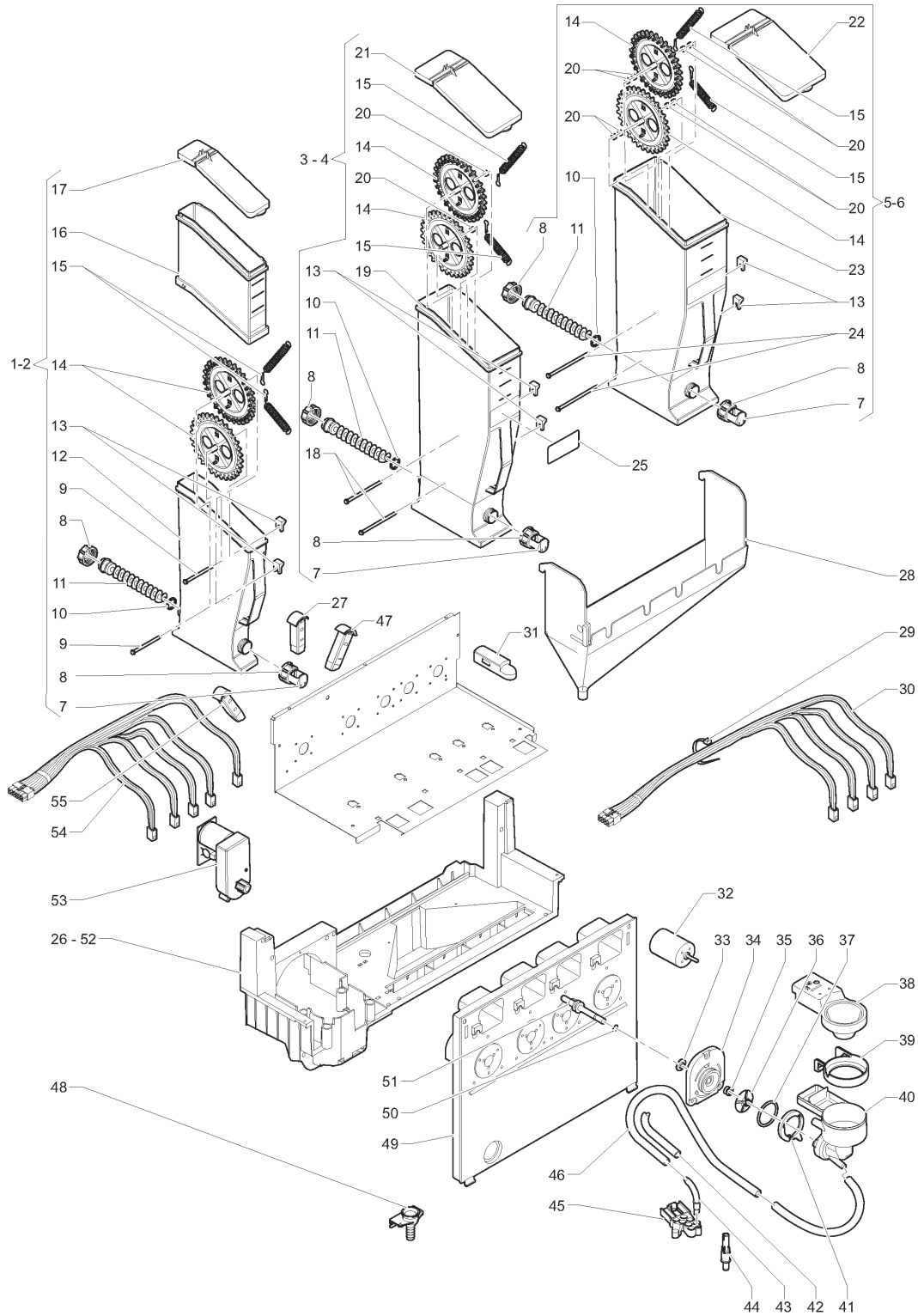
	Code	Description	Notes
1	254077	CUPS DISTRIBUTOR D.70-71	
2	0V4187	CUP RELEASING 70/71	
3	252011	CUPS-CONTAINER	
4	255831	DISPENSING COMPARTMENT ASSY	
5	0V3697	MICRO GEAR	
6	0V3695	SNAIL SUPPORT	
7	098477	TOOTHED RING	
8	098305	SCROLL DIAM.70/71	
9	0V3696	SNAIL RING	
10	0V3694	MOTOR GEARMOTOR SUPPORT	
11	0V1931	MICROSWITCH 'UL'	
12	987628	EJOT-PT-SCREW 30X8	
13	0V3672	RATIOMOTOR	
14	254049	CUPS UNIT WIRING	
15	255251	REDUCING GEAR 3RPM 230V-50HZ	
16	092439	MICRO TYPE 'CHERRY'	
17	0V2548	LEVER FOR MICROSWITCH	
18	0V3693	CUP BASE	
19	097807	BUTTON	
20	0V3658	CUP CONTAINER COVER	
21	255801	DISPENSING COMPARTMENT BACK	
22	0V4107	CONTAINER BASE	
23	250195	BLACK CUP CHUTE 70/71	
24	254050	DELIVERY AREA LAMP WIRING	
25	253945	POWER SUPPLY LED BOARD	
26	254208	CATADIOPTIC PLATE	
27	0V3717	GLASS	
28	093916	WHIPPING OVAL	
29	097508	LOCKING MAGNET	
30	256519	BACK DISPENSING COMPARTMENT LIGHT+PHOTOCELL	
31	255802	DISPENSING COMPARTMENT GRID	
32	255781	DISPENSING COMPARTMENT BASIN	
33	254052	COMPARTMENT ILLUMINATION LED	
34	254057	WIRED 90° PHOTOCELL	
35	092738	WEDGE BUMPER	
36	0V3649	BRACKET LOCK-OUT LEVER	
37	0V3685	DOUBLE HINGE	
38	0V3641	HINGE SUPPORT	
39	0V3654	FULCRUM PIN	
40	0V3684	CUP STATION BRACKET	



	Code	Description	Notes
1	255836	SUGAR CONTAINER 4.5L	
2	257278	DISTRIBUTOR SUGAR/STIRRERS 24V	
3	255826	SUGAR/STICK DISTR. ASSY. BODY	
4	254093	4.5L CONTAINER WHEEL PIVOT	
5	251962	O-RING 14	
6	254085	SCROLL PITCH 30	
7	254090	CONTAINER RING NUT	
8	254087	TOOTHED WHEEL	
9	254583	SUGAR CONTAINER COVER 4.5L	
10	254094	SPACER	
11	254562	SUGER CONTAINER CASING	
12	254089	PIN STOP	
13	254086	POWDER PIPETTE	
14	090203	STIRRER BAR WEIGHT L=95	
15	099720	STIRRER BAR WEIGHT L=105	
16	251977	STIRRER CLOUMN	
17	251982	STIRRER ROD	
18	255788	CUP STATION SUGAR PIPETTE	
19	253994	CENTRAL POWDER CONVEYOR	
20	0V3830	STIRRING GUIDE SQUARE	
21	0V3022	STIRRER CHUTE	
22	098719	PVC PIPE 14X19(A METER)	
23	099375	HOSE COUPLING	
24	091959	BENZING COLLAR DIAM MM4	
25	099602	SPRING	
26	099610	LEVER	
27	098352	STIRRING BARS EJECTING PIN	
28	098853	PASS-WIRE	
29	099607	BODY	
30	099721	SUGAR NOZZLE	
31	098356	SUGAR PIPE	
32	099605	ROD	
33	099616	SPRING	
34	099604	ROLLER	
35	099606	CAM	
36	096355	MICRO SWITCH -UL -	
37	099608	SUPPORT	
38	255815	STICK DISTRIBUTOR WIRING	
39	0V2949	SUGAR SPOUT PIN	
40	255314	STIRRERS REDUCING GEAR	
41	255778	SUGAR RELEASE MOTOR COVER	
42	254535	CONTAINER SHELF	
43	254550	SUGAR DOSING UNIT WIRING	
44	254553	RATIOMOTOR	
45	254545	MOTOR HOUSING COVER	

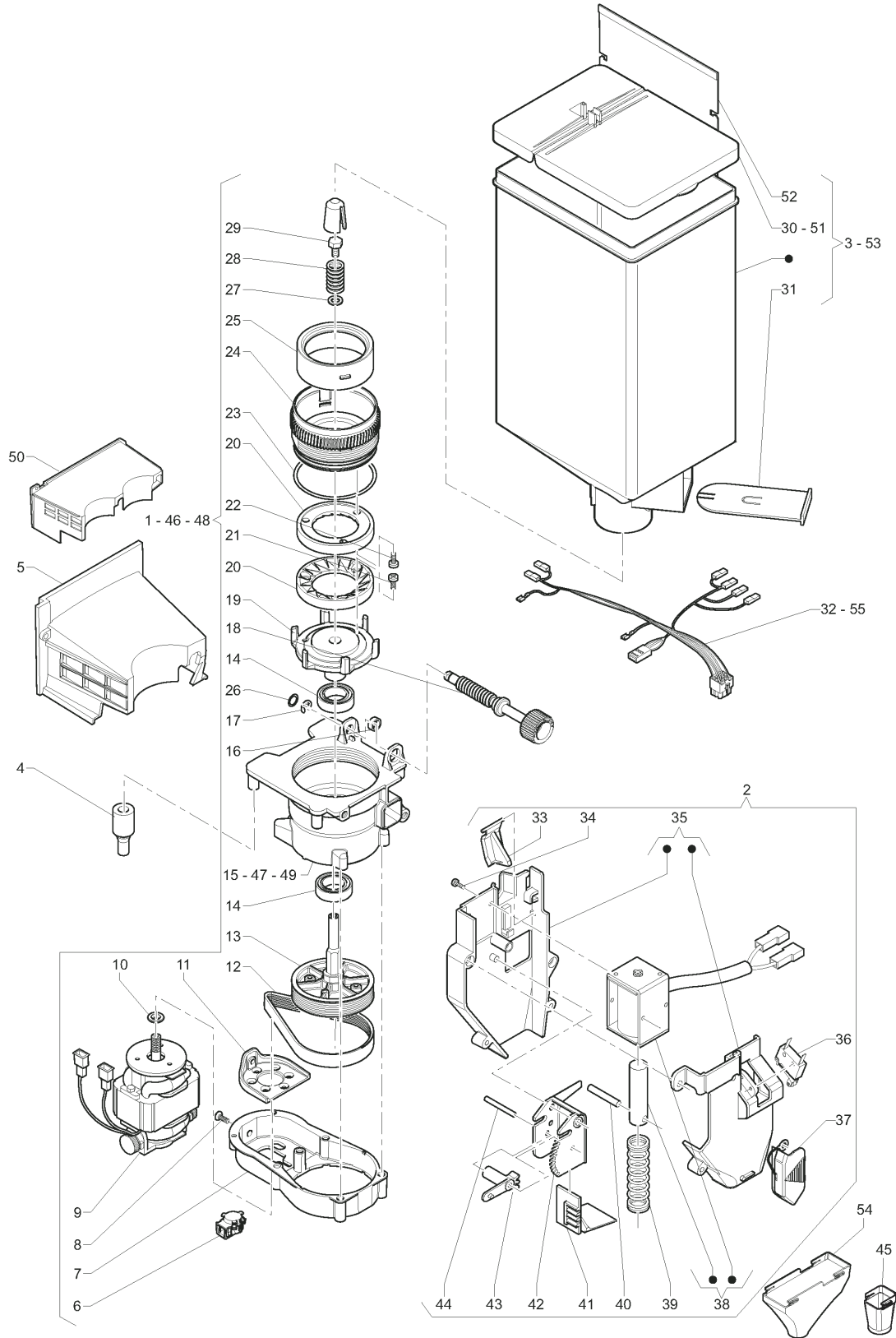


	Code	Description	Notes
1	257279	ASSY. SIDE SHELF	
2	257280	ASSY. SIDE CONTAINER	
3	098812	SPACER	
4	250269	TOOTHED WHEEL	
5	095849	CONTAINER RING NUT	
6	250268	SCROLL	
7	095829	GASKET O-RING	
8	0V1962	PIN FOR WHEEL	
9	091959	BENZING COLLAR DIAM MM4	
10	255564	LH POWDER CONVEYOR	
11	255565	POWDER CONVEYOR LID	
12	257273	WIRING CONTAINER	
13	255029	SCREW M4X10	
14	0V3673	SUGAR RATIONMOTOR 52 RPM	
15	255562	SHELF LOCK LEVER	
16	090615	COLLAR SCREW	
17	987839	RETURN SPRING	
18	097508	LOCKING MAGNET	
19	255027	SELF-TAPPING SCREW 3.9X6.5	
20	255598	EDGE PROTECTION	
21	257277	ARM WITH HINGE	
22	257263	CLIP SIDE SHELF	
23	255937	SCREW M4X14	
24	257264	HINGE SIDE CONTAINER	
25	257265	PIN SIDE CONTAINER	
26	255563	SHELF PIN STOP	



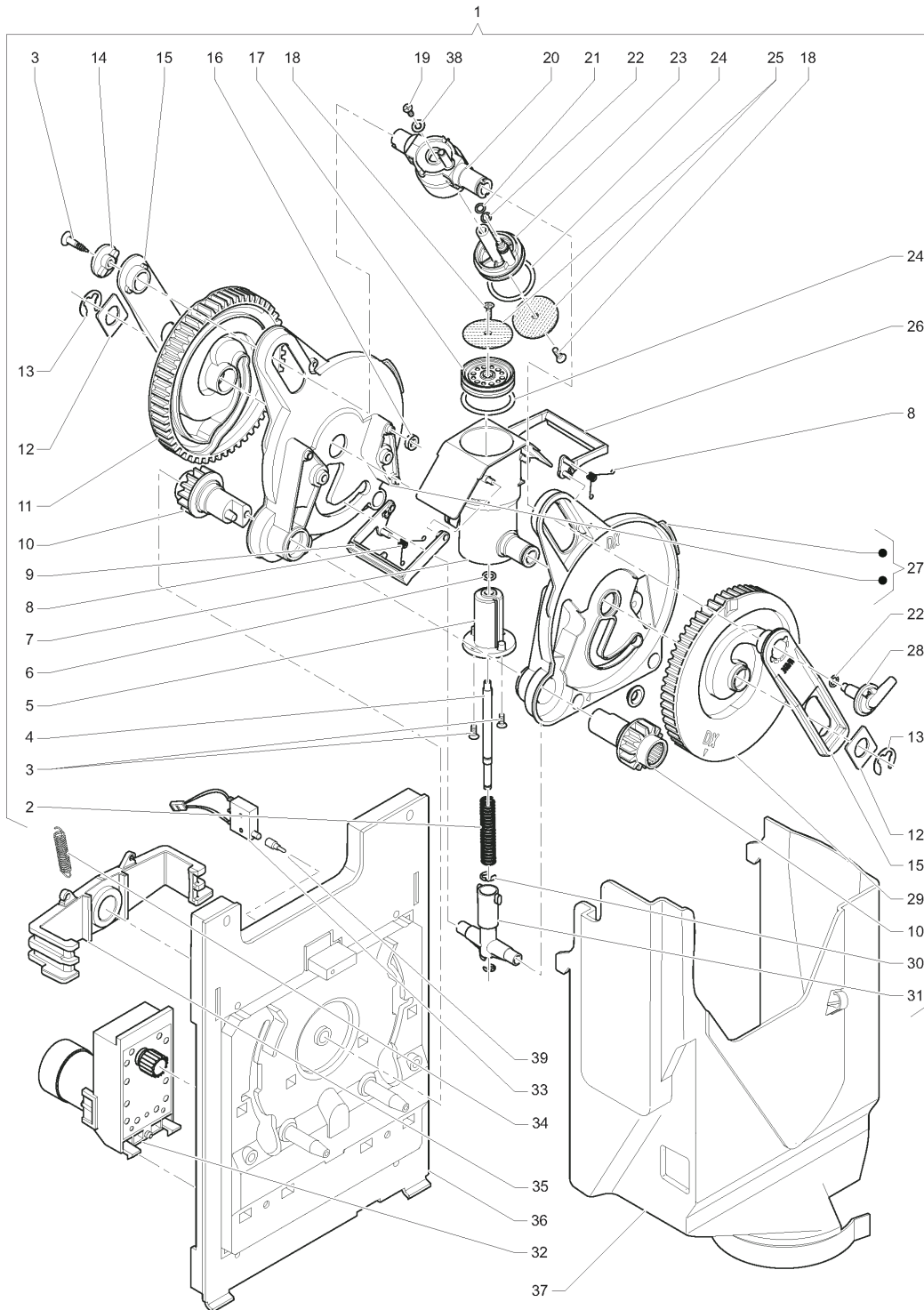
	Code	Description	Notes
1	254073	2.5L CANISTER -1 WHEEL-	
2	254574	2 SPRINGS 2 WHEELS 2.5L CANISTER	
3	254074	4.5L CANISTER -1 WHEEL-	
4	254215	4.5L CANISTER -2 WHEELS-2 SPR INGS-	
5	254075	6L CANISTER -2 WHEELS-2 SPRINGS-	
6	254214	6L CANISTER -1 WHEEL-	
7	254086	POWDER PIPETTE	
8	254090	CONTAINER RING NUT	
9	254088	2.5L CONTAINER WHEEL PIVOT	
10	251962	O-RING 14	
11	254085	SCROLL PITCH 30	
12	254082	2.5L LOWER CONTAINER CASING	
13	254089	PIN STOP	
14	254087	TOOTHED WHEEL	
15	254419	BEATER SPRING	
16	254084	2.5L UPPER CONTAINER CASING	
17	254083	LID FOR 2.5L CONTAINER	
18	254093	4.5L CONTAINER WHEEL PIVOT	
19	254091	4.5L CONTAINER CASING	
20	254094	SPACER	
21	254092	LID FOR 4.5L CONTAINER	
22	254096	LID FOR 6L CONTAINER	
23	254095	6L CONTAINER CASING	
24	254097	6L CONTAINER WHEEL PIVOT	
25	097502	NAMEPLATE GROUP CONTAINER INSTANT P	
26	257557	SUPPORT GRINDER-CONTAINER 2ES	
27	253994	CENTRAL POWDER CONVEYOR	
28	255780	MIXER BOWL	
29	090148	CLIP	
30	255812	MOTORWHISK WIRING	
31	254719	HEATED CONTAINER STOP	
32	254842	MOTORMIXER	
33	298097	SLINGER RING	
34	255821	MIXER FLANGE	
35	298098	V-RING	
36	253991	MIXER VENTILATOR	
37	253985	GASKET OR 3137	
38	255792	MIXER COVER	
39	255284	MIXER RING	
40	255791	MIXER BODY	
41	253998	MIXER RING NUT	
42	254566	SILICONE HOSE 3X6 -BLUE-	
43	254822	BLUE NOZZLE	
44	254400	BLUE COFFEE DISPENSING SPOUT	
45	250163	SPOUT SUPPORT	
46	254565	SILICONE HOSE 5X9 -BLUE-	

	Code	Description	Notes
47	253996	LEFT POWDER FEEDER	
48	250468	TRAY FUNNEL	
49	255793	MIXER FRONT PLATE	
50	253984	GASKET OR 2021	
51	255787	MIXER NOZZLE D=2.3 9-11CC	
52	255794	GRINDER -CONTAINER SUPPORT	
53	254058	MOTORDOSER	
54	255811	DOSER WIRING -ES-	
55	253995	RIGHT POWDER FEEDER	



	Code	Description	Notes
1	255243	COUNTER-CLOCKWISE GRINDER	
2	254424	COFFEE DOSER	
3	0V3681	COFFEE CONTAINER	
4	099484	LITTLE RUBBER	
5	255786	GRINDER MOTOR COVER	
6	251778	FEELER BOARD	
7	298147	REDUCER BODY	
8	298143	SCREW M5X16	
9	255247	GRINDER MOTOR	
10	255491	WASHER 4.3X12	
11	298144	BELT SLIDE	
12	298152	BELT	
13	298151	PULLEY ASSEMBLY	
14	298155	RADIAL BEARING	
15	298148	GRINDER CAP	
16	099457	WASHER	
17	093171	OUTER FIXING COLLAR DIAM MM6	
18	099474	REGULATION SCREW	
19	298145	GRINDER-HOLDER FAN	
20	095840	GRINDER	
21	255032	TREFOIL SCREW M4X10	
22	255033	SELF-TAPPING SCREW 4X10	
23	095805	GASKET O-RING	
24	298149	GRINDER HOLDER	
25	298146	GRINDER COLLAR	
26	256793	WASHER	
27	096988	WASHER	
28	099471	SPRING	
29	099472	LEFT SCREW	
30	0V0421	COVER	
31	098630	ROLL-UP FOR CONTAINER	
32	255813	GRINDER WIRING	
33	099475	ACTUATOR	
34	092657	CLOSS SLOT SCREW 3X6TC	
35	251128	COFFEE DOSER-BODY	
36	0V2131	BURGESS MICRO-SWITCH	
37	254834	SIDE BATCHER LID	
38	098716	ELECTROMAGNET 220V	
39	098696	SPRING DOSER ELECTROMAGNET	
40	093832	ROD PIVOT	
41	098643	RULE COFFEE-DOSES	
42	254427	SHUTTER COFFEE-DOSER+PLATE	
43	253637	LEVER FOR RULE	
44	098822	PIN FOR LEVER	
45	254521	COFFEE CONVEYOR	
46	256112	ANTICLOCKWISE RH GRINDER ASSY.-VERS.2ES	

	Code	Description	Notes
47	256109	RH GRINDER CAP-VERS.2ES	
48	256113	ANTICLOCKWISE LH GRINDER ASSY.-VERS.2ES	
49	256110	LH GRINDER CAP-VERS.2ES	
50	255755	GRINDER MOTOR COVER 2ES	
51	255753	CONTAINER LID 2ES	
52	256108	SEPARATOR 50/50	
53	256114	COFFEE CONTAINER ASSY. 2ES	
54	298226	DOUBLE COFFEE CHUTE ES	
55	256111	TWO GRINDER WIRING	



	Code	Description	Notes
1	254325	Z4000 COFFEE ASSEMBLY D.38	
2	098688	PISTON RETURN SPRING	
3	255031	SELF-TAPPING SCREW 4.2X26	
4	254329	PISTON ROD D.38	
5	254648	BOTTOM D.38	
6	0V0782	O-RING 2025	
7	254646	BREWING CHAMBER D.38	
8	254328	SCRAPER SPRING	
9	254330	UPPER SCRAPER D.38	
10	254651	PINION D.38	
11	254653	LEFT CRANK D.38	
12	254654	GUIDE SLIDING BLOCK	
13	096569	FIXING COLLAR DIAM 12	
14	254655	UPPER PISTON KEY	
15	254327	TRACE FOR PISTON COMMAND D.38	
16	099457	WASHER	
17	254647	LOWER PISTON D.38	
18	255047	SCREW M3X10 -INOX-	
19	255034	PLAIN TIP SELF-TAPPING SCREW 4X12	
20	254649	UPPER PISTON CROSS-PIECE D.38	
21	254650	GASKET O-RING 1.9X2.4	
22	094611	GASKET O-RING 2018	
23	254474	UPPER PISTON	
24	093167	SILICONE GASKET OR 4118 .	
25	098687	COFFEE FILTER	
26	254657	SCRAPER	
27	254331	RH-LH SUPPORT D.38	
28	254795	COFFEE DISPENSING SPOUT	
29	254652	RIGHT CRANK D.38	
30	098818	STOPPING RING D.4	
31	254473	PISTON ROD GUIDE D.38	
32	254552	RATIOMOTOR 24V	
33	298173	MICRO WITH WIRING	
34	253220	LEVER SPRING	
35	254523	Z4000 GROUP COUPLER	
36	255785	PLATE Z4000 SMALL	
37	254847	COVER Z4000	
38	255491	WASHER 4.3X12	
39	255084	MICRO REFERENCE PIN	